

US00D602381S

(12) **United States Design Patent**
Bodino et al.

(10) **Patent No.:** **US D602,381 S**
(45) **Date of Patent:** **** Oct. 20, 2009**

(54) **WATCHCASE**
(75) Inventors: **Giampiero Bodino**, Milan (IT); **Guy Bove**, Geneva (CH); **Lukas Gopp**, Nyon (CH)
(73) Assignee: **Ralph Lauren Watch and Jewelry Company Sarl**, Vernier (CH)
(**) Term: **14 Years**

D373,957 S *	9/1996	Mareschal	D10/30
D377,613 S *	1/1997	Consolo	D10/32
D378,805 S *	4/1997	Riley	D10/30
D386,421 S *	11/1997	Kennedy	D10/30
D447,063 S *	8/2001	Scheufele	D10/30
D467,820 S *	12/2002	Berliat	D10/39
D473,473 S *	4/2003	Wunderman	D10/32
D504,624 S *	5/2005	Bodino	D10/39
D555,520 S *	11/2007	Strasser	D10/39
D559,128 S *	1/2008	Laucella	D10/39

(21) Appl. No.: **29/333,121**
(22) Filed: **Mar. 3, 2009**

* cited by examiner
Primary Examiner—Lucy Lieberman
(74) *Attorney, Agent, or Firm*—Young & Thompson

(30) **Foreign Application Priority Data**
Sep. 3, 2008 (WO) DM/070.716

(57) **CLAIM**
The ornamental design for a watchcase, as shown.

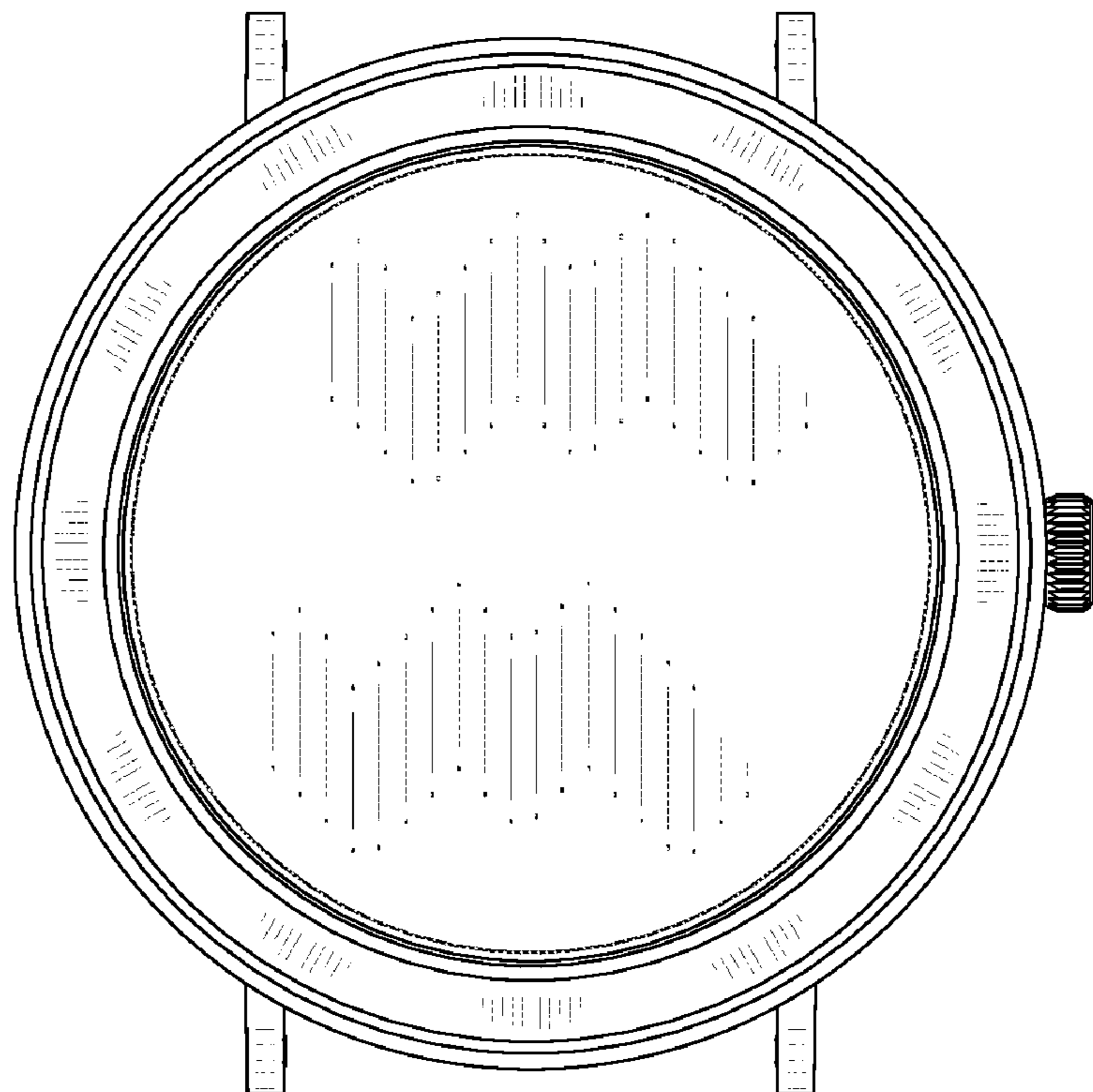
(51) **LOC (9) Cl.** **10-02**
(52) **U.S. Cl.** **D10/38**
(58) **Field of Classification Search** D10/30-39;
368/276, 281, 282, 285
See application file for complete search history.

DESCRIPTION

FIG. 1 is a top plan view of a watchcase showing our new design;
FIG. 2 is a bottom plan view thereof;
FIG. 3 is a view thereof from the right of FIG. 1;
FIG. 4 is a view thereof from the left of FIG. 1;
FIG. 5 is a view thereof from the bottom of FIG. 1;
FIG. 6 is a view thereof from the top of FIG. 2; and,
FIG. 7 is a top and side perspective view thereof.

(56) **References Cited**
U.S. PATENT DOCUMENTS
3,503,203 A * 3/1970 Gruner et al. 368/21
D329,612 S * 9/1992 Hysek D10/39
D333,988 S * 3/1993 Dumas D10/30
D350,288 S * 9/1994 Giardiello D10/30
D365,772 S * 1/1996 Wunderman D10/32

1 Claim, 3 Drawing Sheets



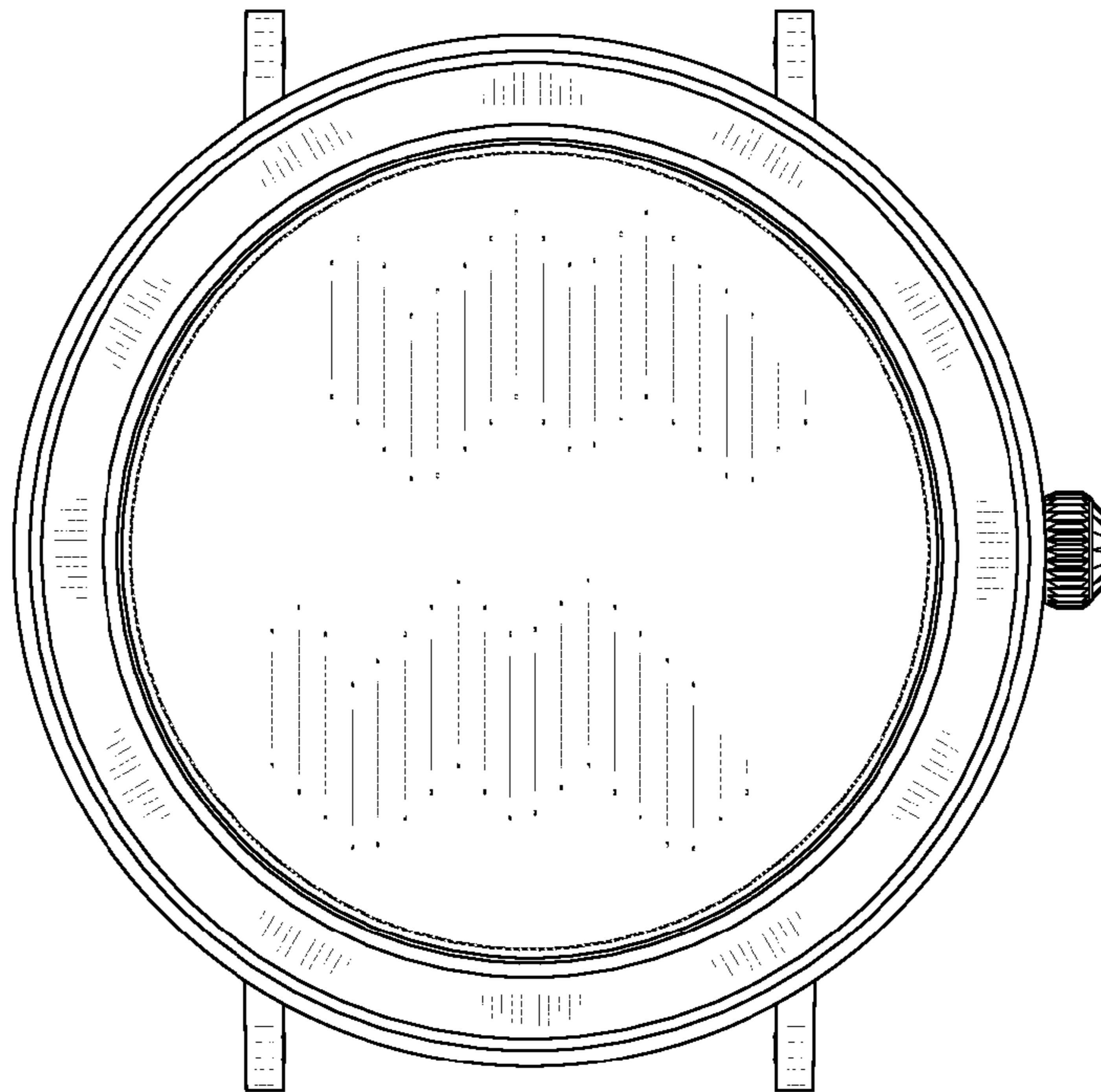


Fig.1

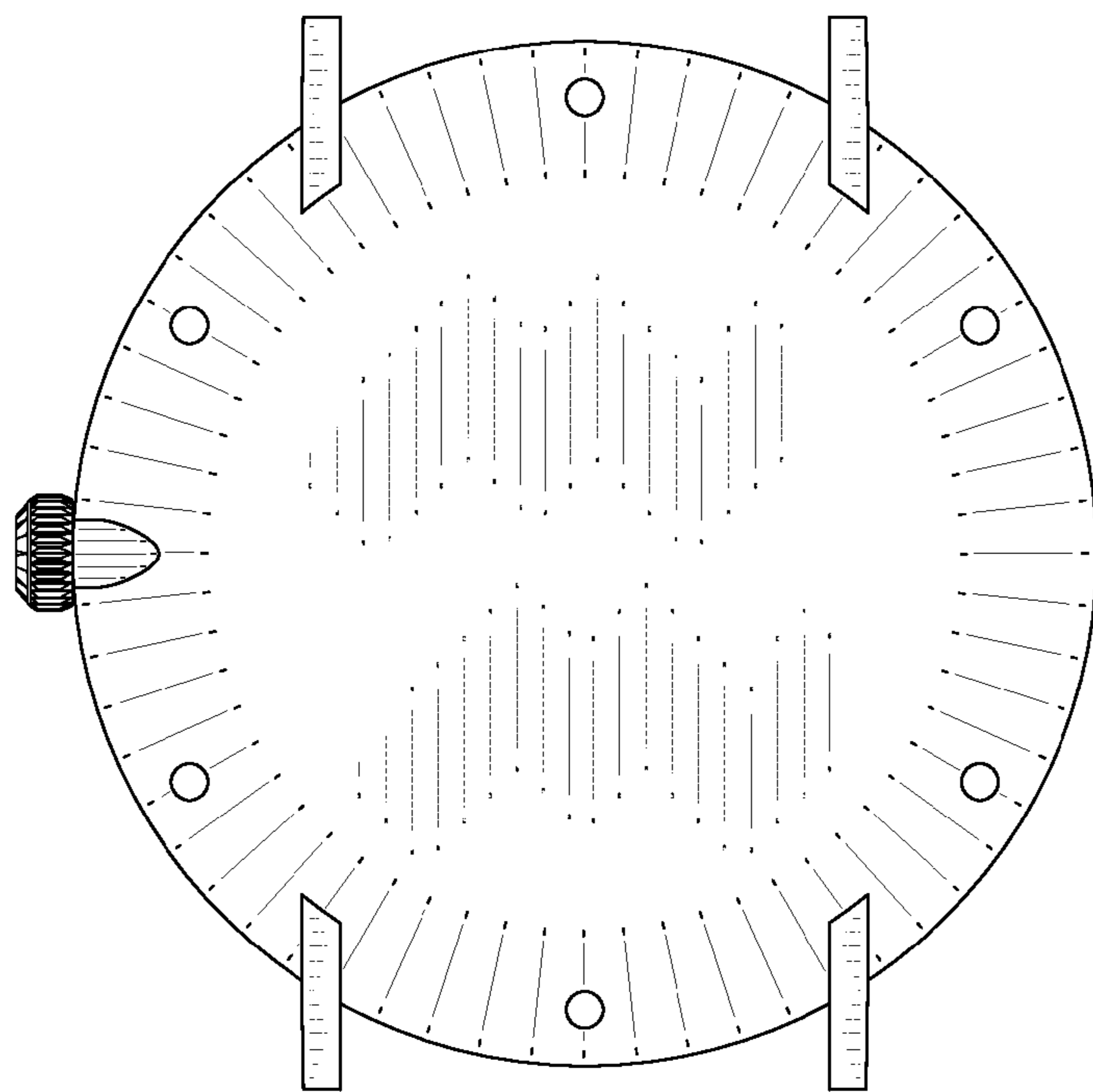


Fig.2

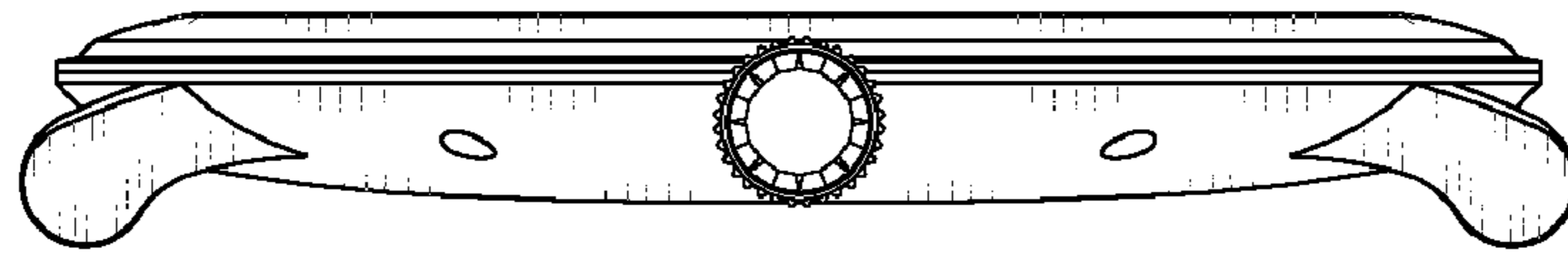


Fig.3

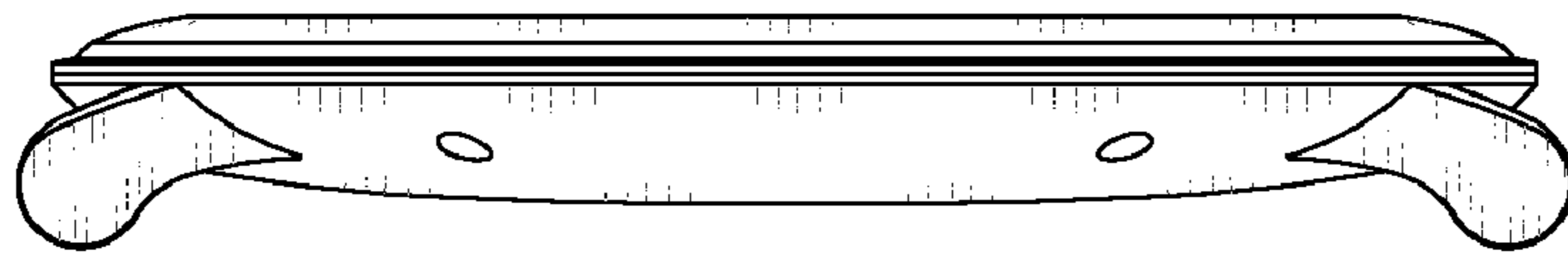


Fig.4

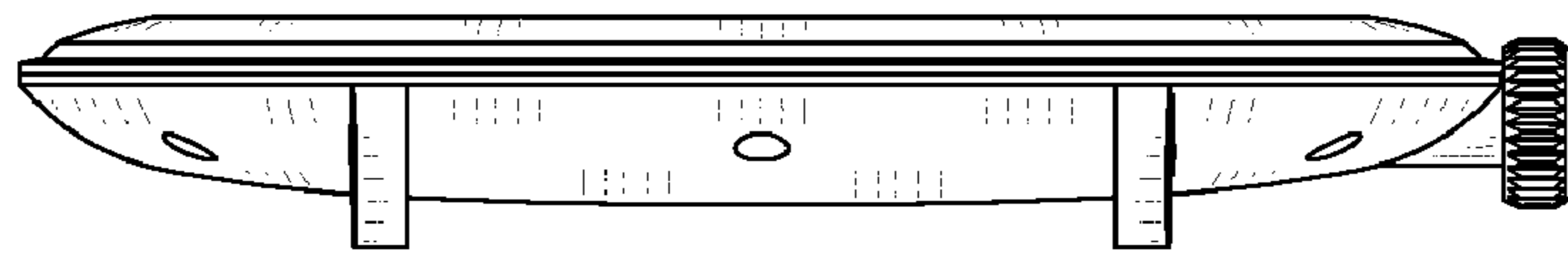


Fig.5

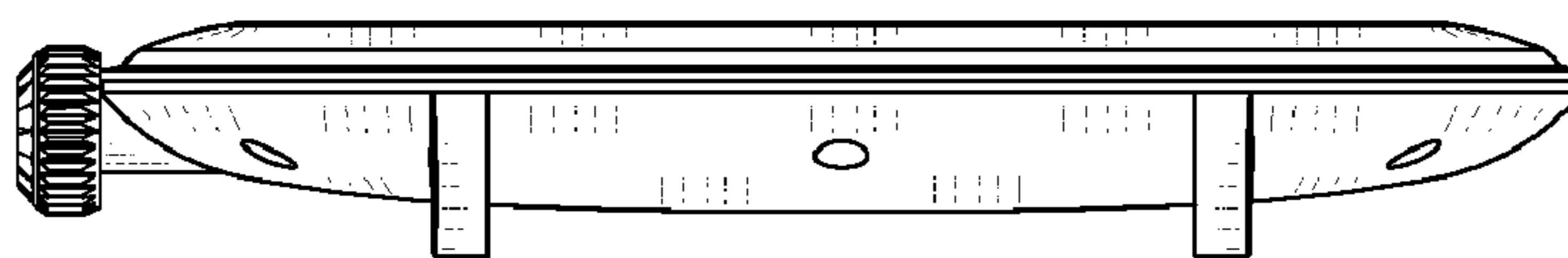


Fig.6

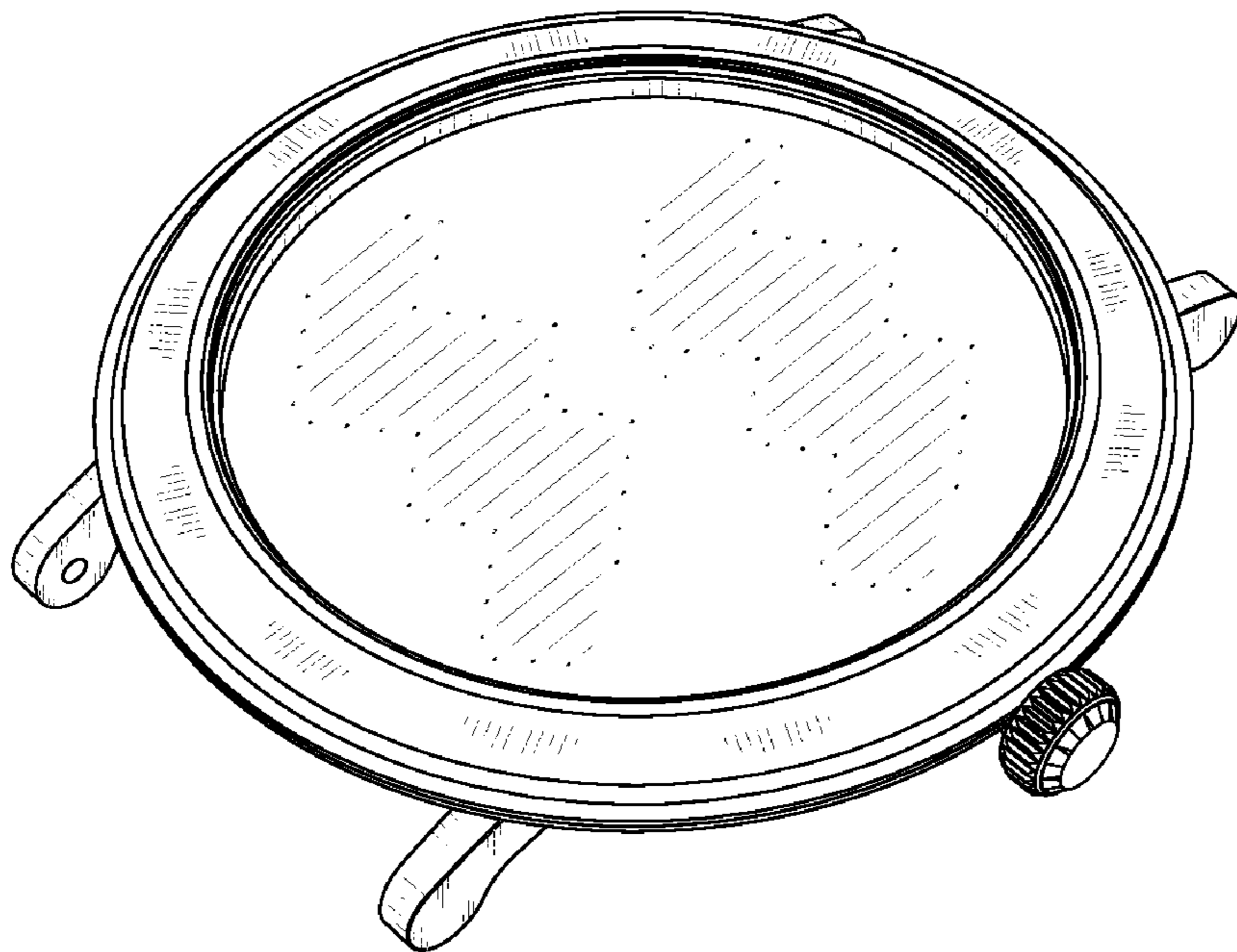


Fig.7