



US00D602380S

(12) **United States Design Patent**  
**Fernie et al.**

(10) **Patent No.:** **US D602,380 S**  
(45) **Date of Patent:** **\*\* Oct. 20, 2009**

(54) **ALARM CLOCK**

(75) Inventors: **Douglas Fernie**, Cambridgeshire (GB);  
**Paul John Robbins**, Norfolk (GB);  
**Nicholas Ian Harvey**, Norfolk (GB);  
**Richard James Andrews**, Norfolk (GB)

(73) Assignee: **Outside In (Cambridge) Ltd.**,  
Cambridgeshire (GB)

(\*\*) Term: **14 Years**

(21) Appl. No.: **29/328,340**

(22) Filed: **Nov. 21, 2008**

(30) **Foreign Application Priority Data**

Jul. 31, 2008 (EM) ..... 000980107

(51) **LOC (9) Cl.** ..... **10-01**

(52) **U.S. Cl.** ..... **D10/15; D10/21**

(58) **Field of Classification Search** ..... D10/1-29;  
368/276, 285, 223, 316, 317, 250-259  
See application file for complete search history.

(56) **References Cited**

**U.S. PATENT DOCUMENTS**

|              |         |                |         |
|--------------|---------|----------------|---------|
| D97,453 S    | 11/1935 | Bars           |         |
| D149,079 S   | 3/1948  | Lux            |         |
| D190,749 S * | 6/1961  | Marti et al.   | D10/1   |
| D238,170 S   | 12/1975 | Schmidt        |         |
| D240,270 S   | 6/1976  | Kawano         |         |
| D245,198 S * | 7/1977  | Terada et al.  | D14/171 |
| D276,703 S * | 12/1984 | Au             | D10/15  |
| D319,589 S   | 9/1991  | Unruh et al.   |         |
| D322,575 S * | 12/1991 | Odaka          | D10/28  |
| D347,182 S * | 5/1994  | Wada           | D10/28  |
| 5,425,006 A  | 6/1995  | Ya             |         |
| D370,179 S   | 5/1996  | Mukoyama       |         |
| D370,853 S * | 6/1996  | Fujimori       | D10/28  |
| D384,957 S   | 10/1997 | Lee            |         |
| D398,245 S * | 9/1998  | Knutson et al. | D10/28  |

|              |         |                |        |
|--------------|---------|----------------|--------|
| D412,909 S   | 8/1999  | Wang           |        |
| D413,069 S * | 8/1999  | Kokkinis       | D10/15 |
| D415,431 S   | 10/1999 | Duke           |        |
| D437,236 S   | 2/2001  | Hargrove, III  |        |
| D450,049 S   | 11/2001 | Lacotta et al. |        |
| D450,598 S   | 11/2001 | Chan           |        |
| D486,073 S   | 2/2004  | Morgan         |        |
| D491,073 S   | 6/2004  | Chang          |        |
| D500,296 S   | 12/2004 | Zeitman        |        |
| D525,880 S   | 8/2006  | Okamura        |        |
| D585,766 S   | 2/2009  | Fernie et al.  |        |

\* cited by examiner

*Primary Examiner*—Lucy Lieberman

(74) *Attorney, Agent, or Firm*—Knobbe Martens Olson & Bear LLP

(57) **CLAIM**

The ornamental design for an alarm clock, as shown and described.

**DESCRIPTION**

FIG. 1 is a front, top and right side perspective view of an alarm clock showing our new design;

FIG. 2 is a front side elevational view of the alarm clock of FIG. 1;

FIG. 3 is a rear side elevational view of the alarm clock of FIG. 1;

FIG. 4 is a top plan view of the alarm clock of FIG. 1;

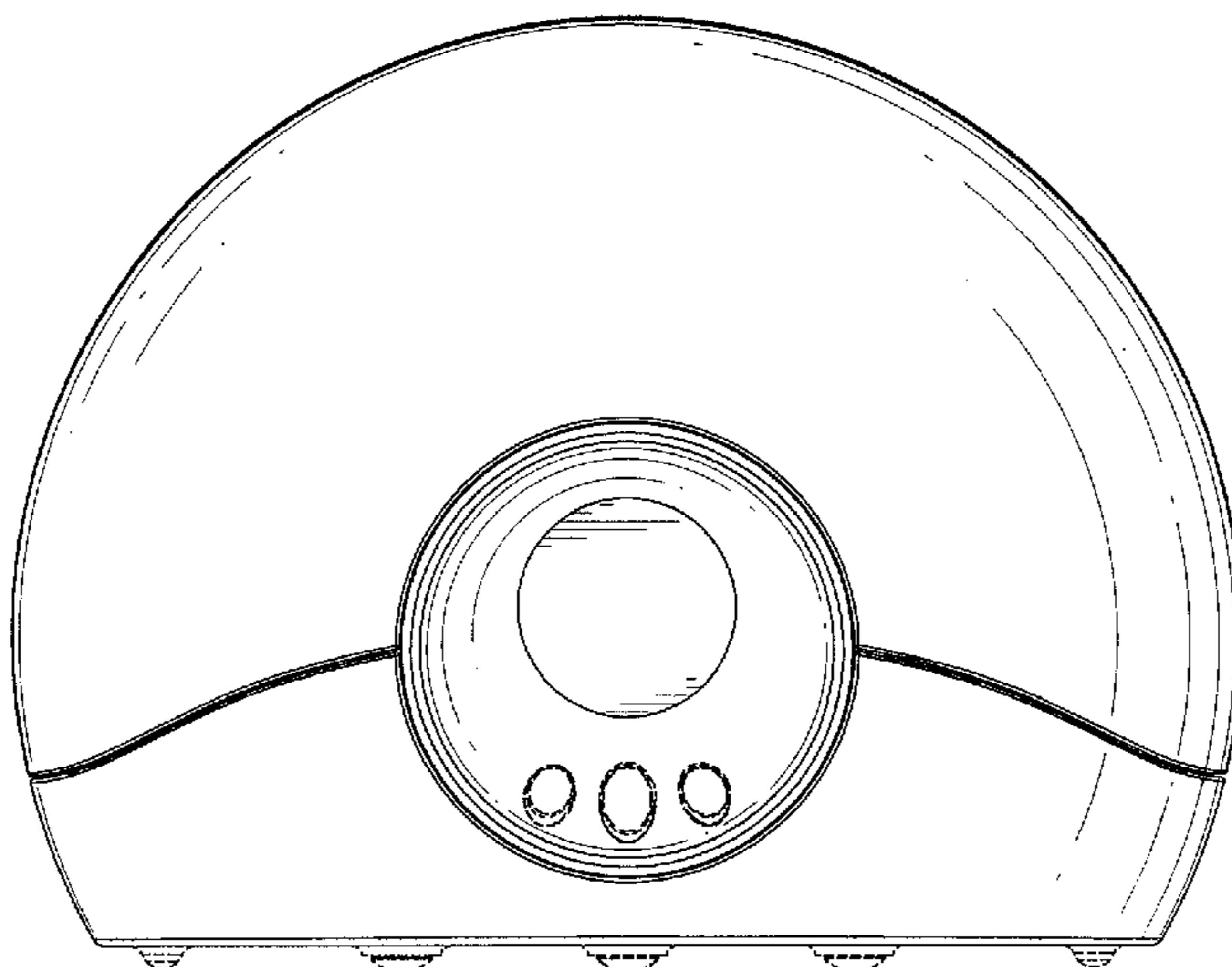
FIG. 5 is a bottom plan view of the alarm clock of FIG. 1;

FIG. 6 is a right side elevational view of the alarm clock of FIG. 1; and,

FIG. 7 is a left side elevational view of the alarm clock of FIG. 1.

The broken lines of FIGS. 1-7 are for the purpose of illustrating structure of the alarm clock that form no part of the claimed design and that are unclaimed subject matter.

**1 Claim, 5 Drawing Sheets**



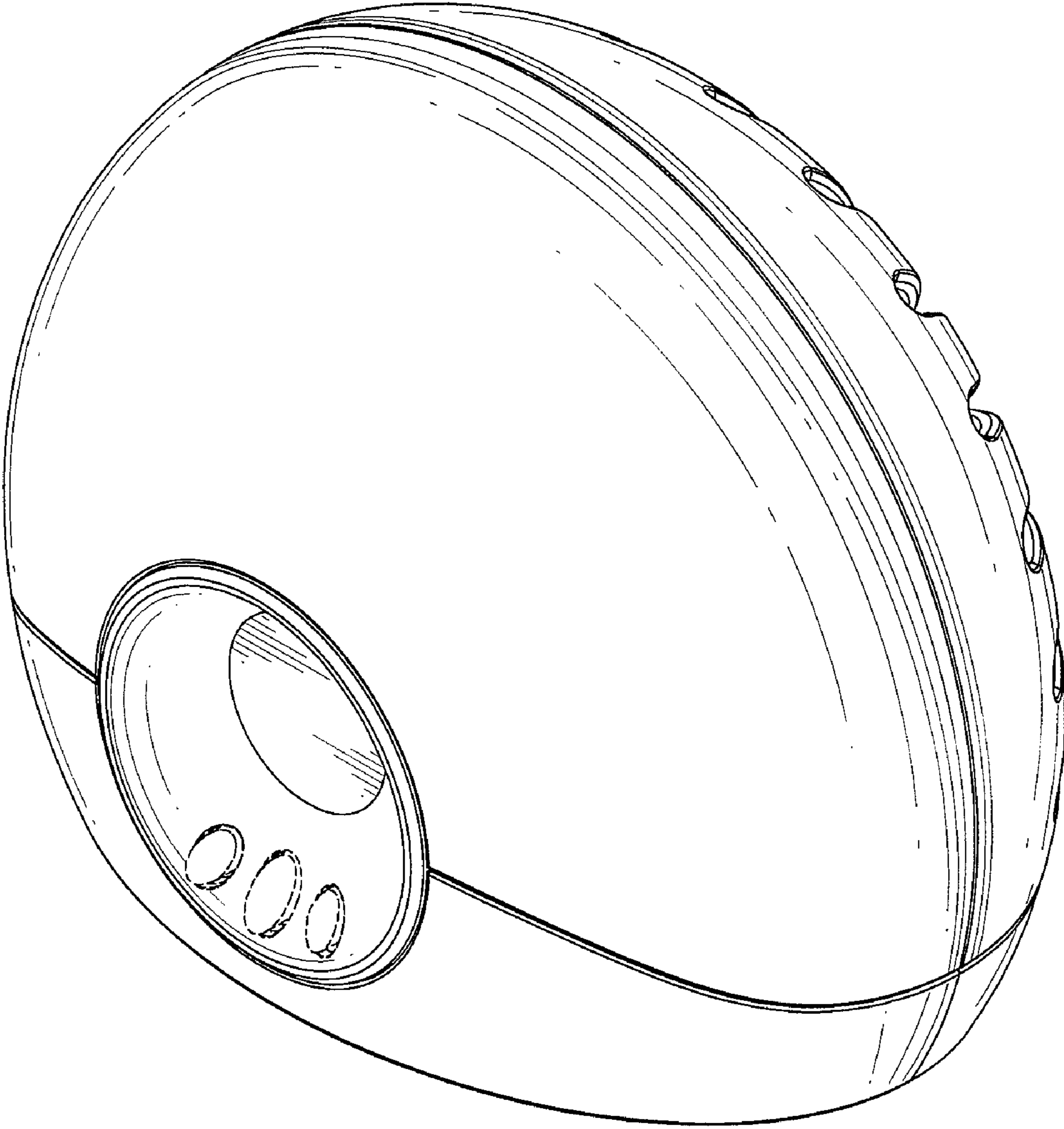


FIG. 1

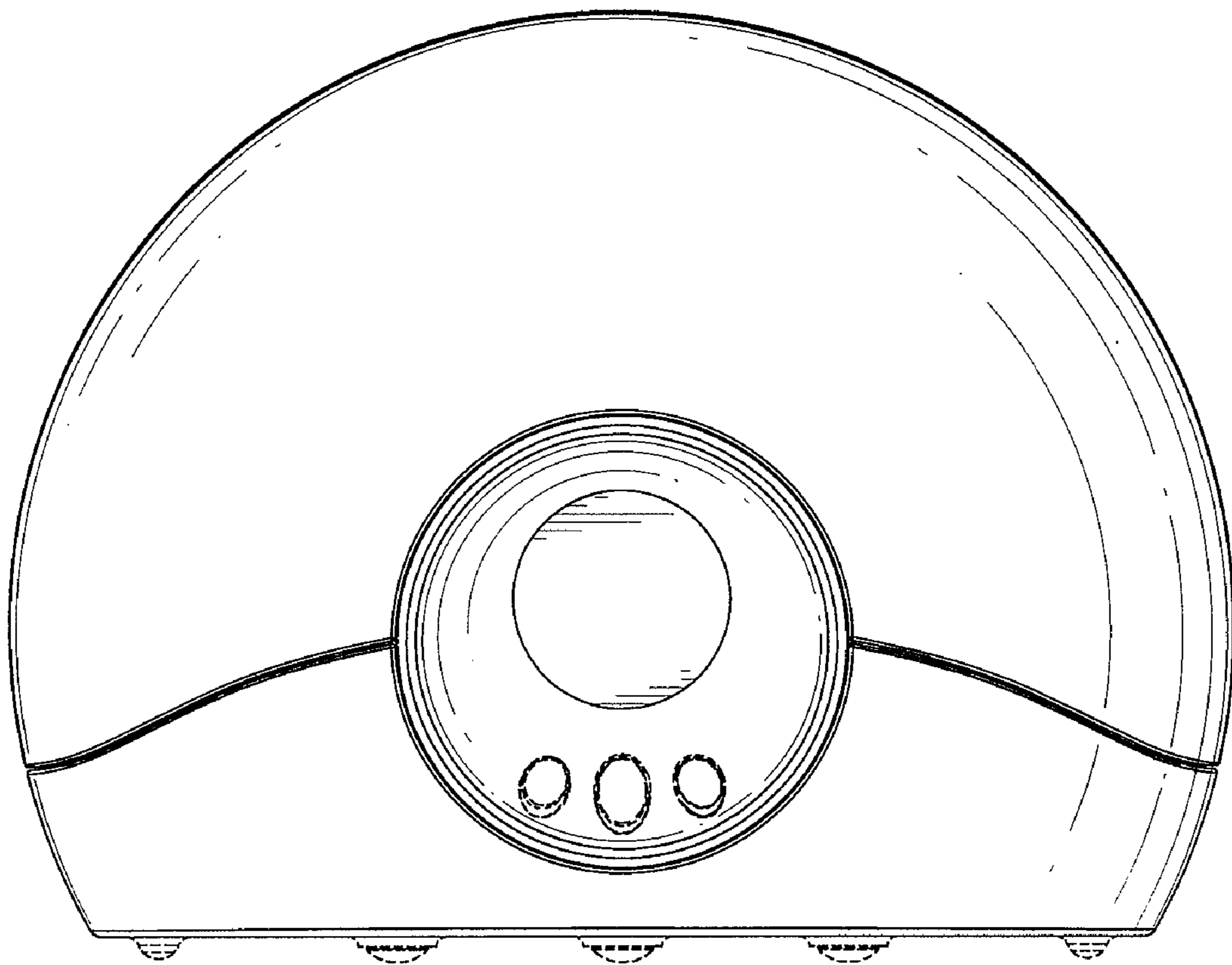


FIG. 2

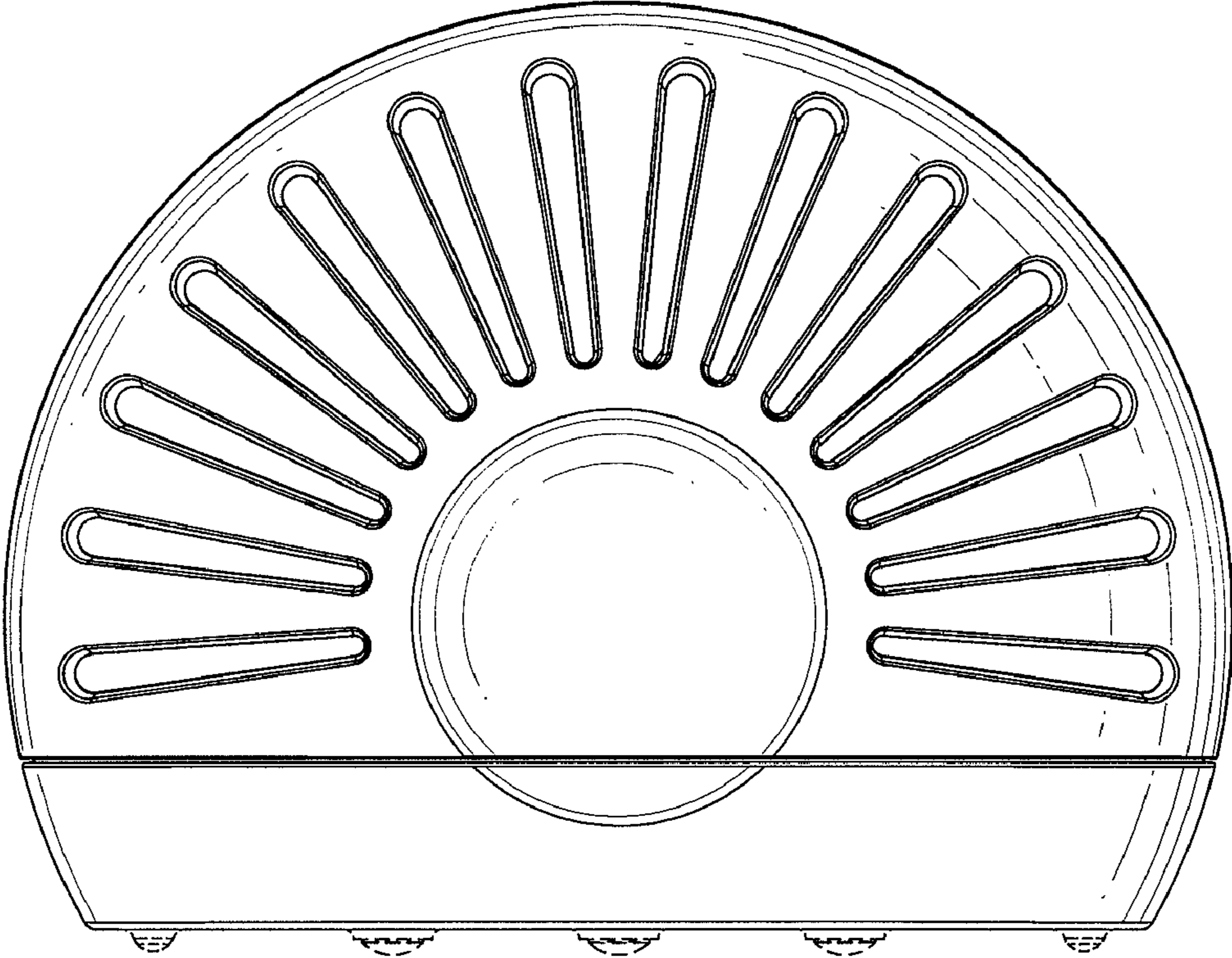


FIG. 3

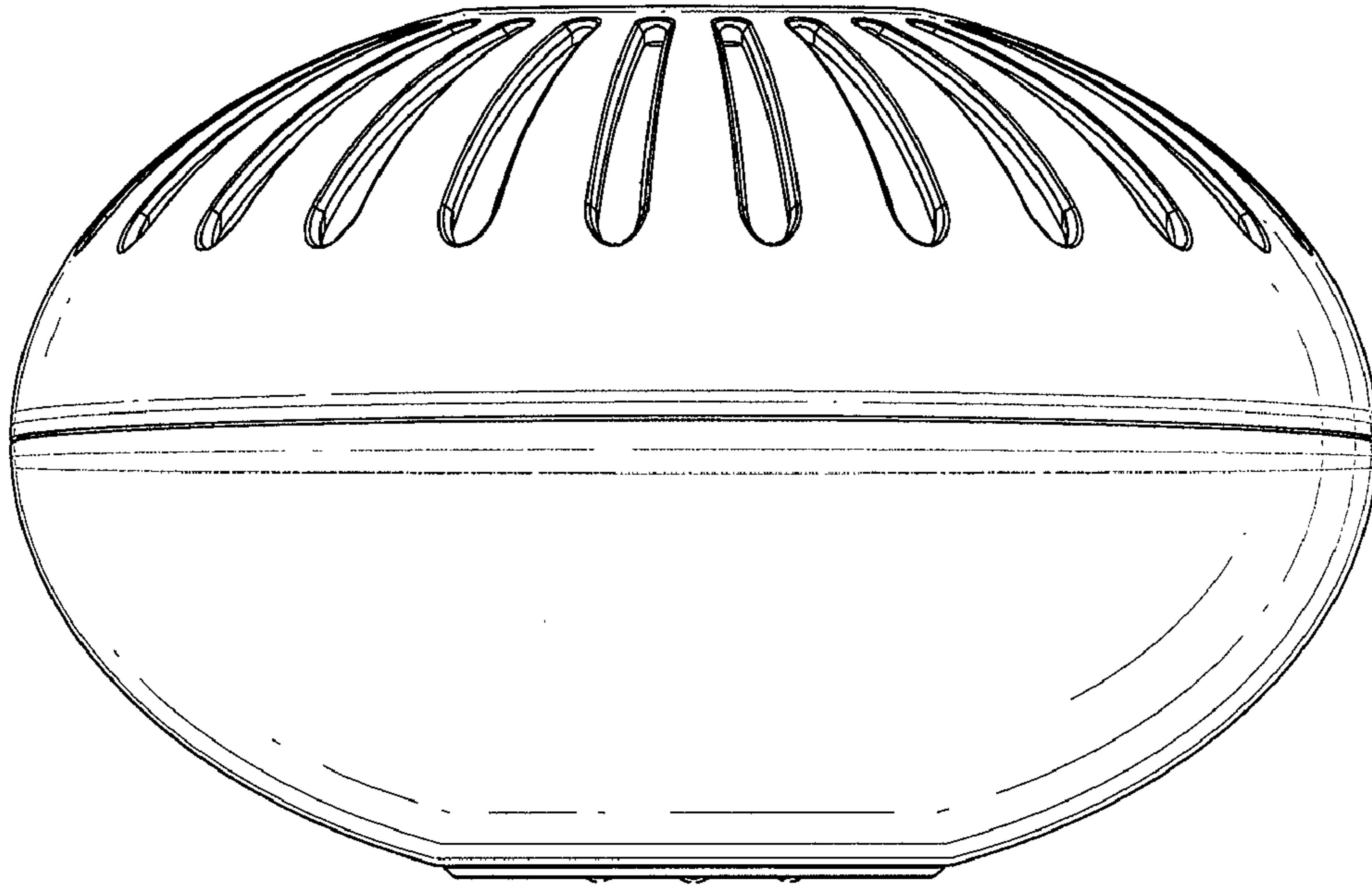


FIG. 4

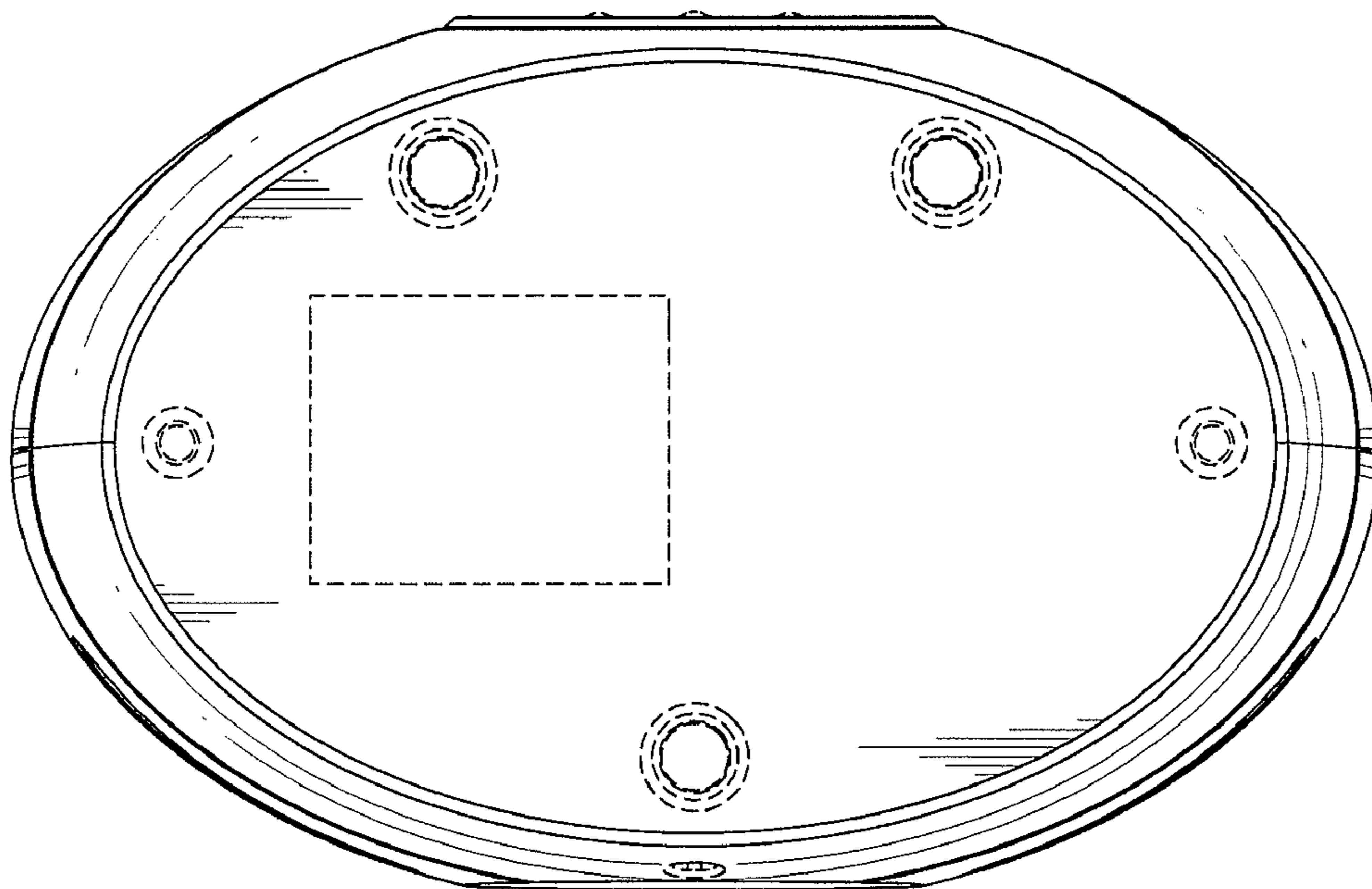


FIG. 5

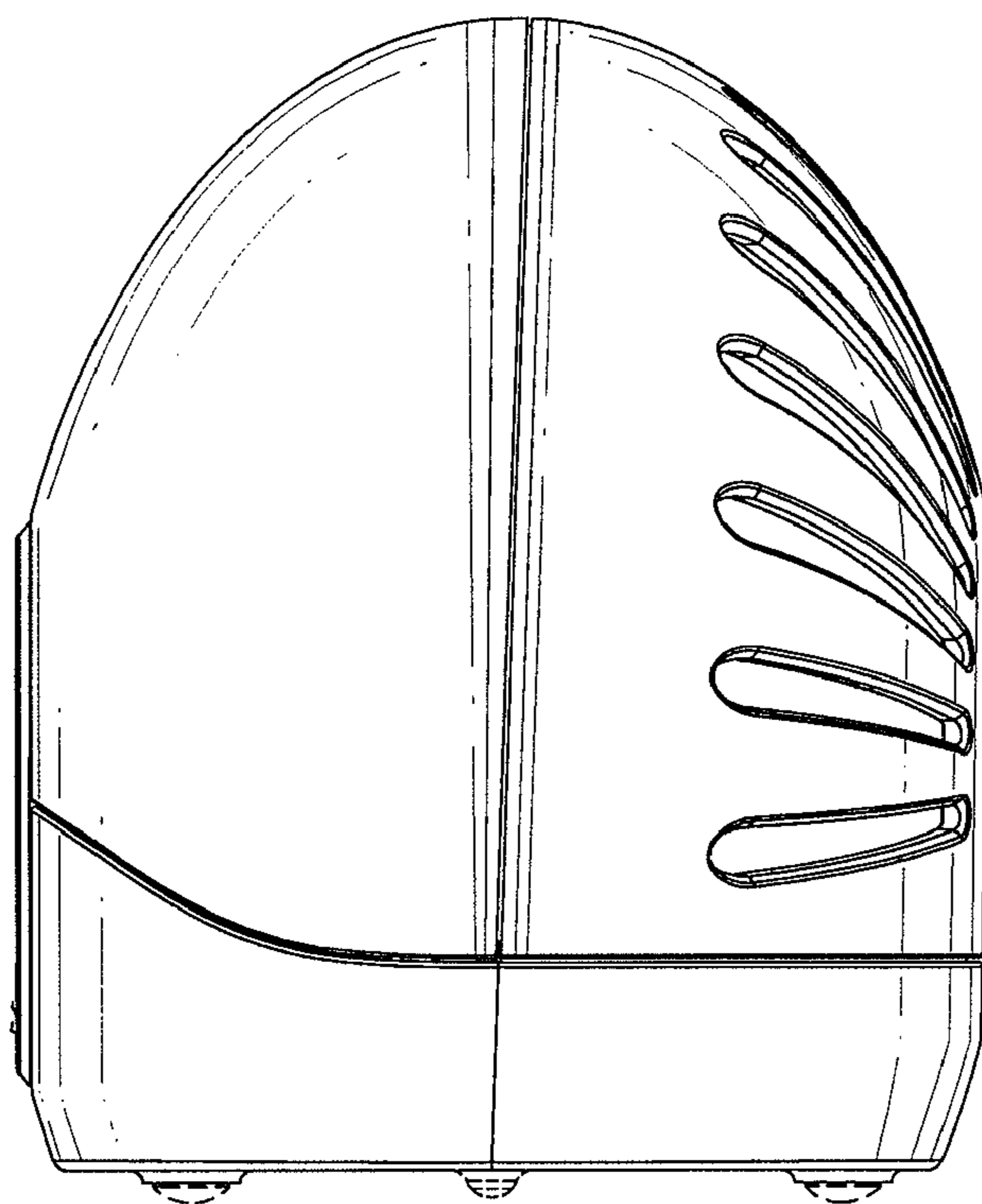


FIG. 6

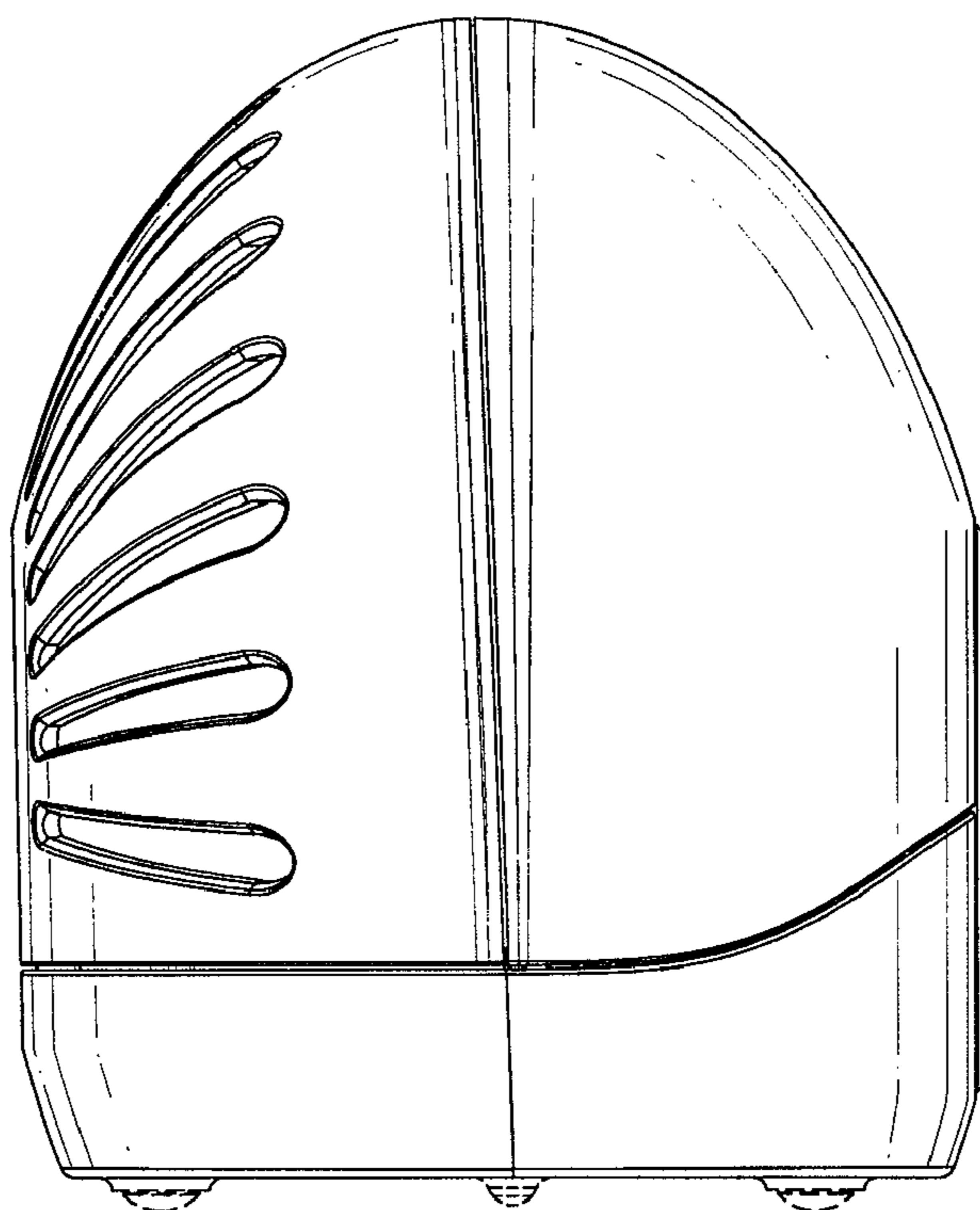


FIG. 7