



US00D602376S

(12) **United States Design Patent**  
**Coulson**

(10) **Patent No.:** **US D602,376 S**

(45) **Date of Patent:** **\*\* Oct. 20, 2009**

(54) **PACKAGING CARTONS**

(76) Inventor: **Edward William Coulson**, Cliffe Park House, Beat Lane, Macclesfield, Cheshire (GB) SK11 ORL

(\*\*) Term: **14 Years**

(21) Appl. No.: **29/326,423**

(22) Filed: **Oct. 17, 2008**

(51) **LOC (9) Cl.** ..... **09-05**

(52) **U.S. Cl.** ..... **D9/707**

(58) **Field of Classification Search** ..... D9/415,  
D9/433, 430, 414, 432, 419, 424, 753, 703,  
D9/707, 709, 713, 714; 206/279, 223, 271-273,  
206/812, 438; 383/16, 84, 108

See application file for complete search history.

(56) **References Cited**

**U.S. PATENT DOCUMENTS**

D157,928 S \* 3/1950 Vines ..... D9/704

(Continued)

**OTHER PUBLICATIONS**

Bandalero Pack, Coffee, No Glass, Brochure.

(Continued)

*Primary Examiner*—Caron Veynar

*Assistant Examiner*—Abraham Bahta

(74) *Attorney, Agent, or Firm*—Jim Passé; Passé Intellectual Property LLC

(57) **CLAIM**

The ornamental design for packaging cartons, as shown and described.

**DESCRIPTION**

FIG. 1 is a top perspective view from above of a packaging carton for containing product showing my new design.

FIG. 2 is a top plan view thereof.

FIG. 3 is a bottom plan view thereof.

FIG. 4 is a side view thereof.

FIG. 5 is a right end view, the left end being identical thereof

FIG. 6 is a close-up view of the fin end seal thereof. .

FIG. 7 is a perspective view thereof showing the pack in an expanded configuration.

FIG. 8 is a perspective view of a pack in a multiple pack alternative configuration.

FIG. 9 is a plan view of the multiple pack thereof in a multiple pack alternative configuration.

FIG. 10 is a plan view from below of the multiple pack thereof in a multiple pack alternative configuration.

FIG. 11 is a side view of the multiple pack thereof in a multiple pack alternative configuration.

FIG. 12 is a right end view of the multiple pack, the left end view being identical in a multiple pack alternative configuration.

FIG. 13 is a close-up view of the fin end seal of the multiple pack in a multiple pack alternative configuration.

FIG. 14 is a perspective view of the multiple pack, showing the pack in an expanded configuration in a multiple pack alternative configuration.

FIG. 15 is a right end view of the multiple pack in a folded configuration, the left end view being identical in a multiple pack alternative configuration.

FIG. 16 is a right end view of the multiple pack in a folded configuration, the left end view being identical in a multiple pack alternative configuration; and,

FIG. 17 is a perspective view of the multiple pack in a rolled configuration in a multiple pack alternative configuration.

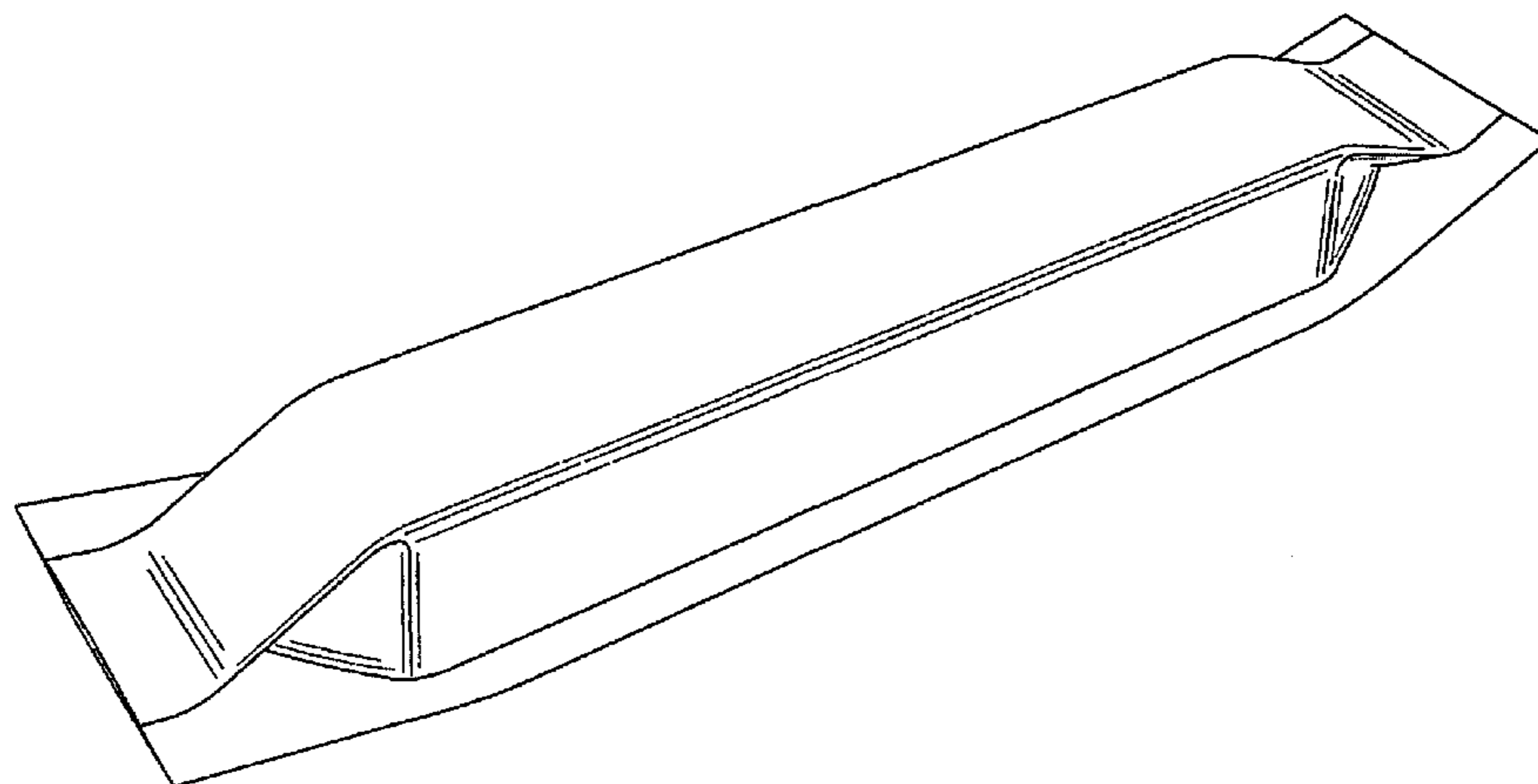
The broken lines shown in the drawings are for illustrative purposes only and form no part of the claimed design.

Although the multiple pack is illustrated as being made up of six individual packs, other numbers of individual packs would make the same overall impression and therefore the design is not restricted to the number being six.

It will also be appreciated that the multiple pack can be rolled up or folded in any way and therefore the design is not restricted to the pack being provided in a flat configuration as illustrated or in the particular folded or rolled configurations as illustrated.

No claim is made to the size or relative dimensions of the product. In particular, various ratios of length: width: depth could be used.

**1 Claim, 11 Drawing Sheets**



# US D602,376 S

Page 2

---

## U.S. PATENT DOCUMENTS

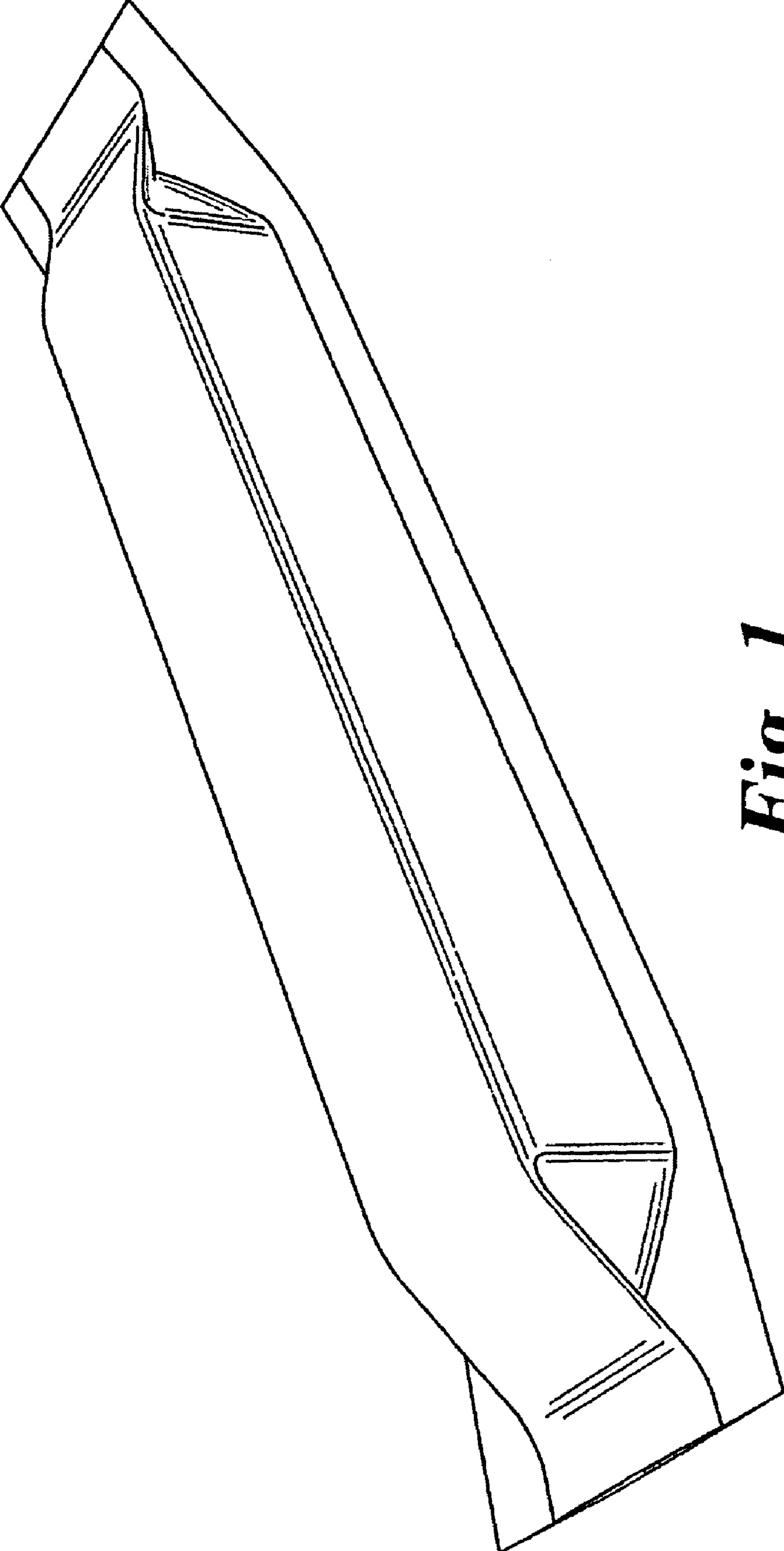
D330,326 S \* 10/1992 Honeycutt ..... D9/722  
D355,593 S \* 2/1995 Bell ..... D9/707  
D365,981 S \* 1/1996 Sullivan ..... D9/720  
D394,605 S \* 5/1998 Skiba et al. .... D9/709  
D414,407 S \* 9/1999 Simburger et al. .... D9/707  
D489,606 S \* 5/2004 Lofman ..... D9/707  
D496,263 S \* 9/2004 Chen ..... D9/703  
D519,385 S \* 4/2006 Lucas et al. .... D9/704  
D519,847 S \* 5/2006 Lucas et al. .... D9/704  
D567,647 S \* 4/2008 Reda ..... D9/415  
7,371,008 B2 \* 5/2008 Bonenfant ..... 383/5

D580,784 S \* 11/2008 Kila ..... D9/709

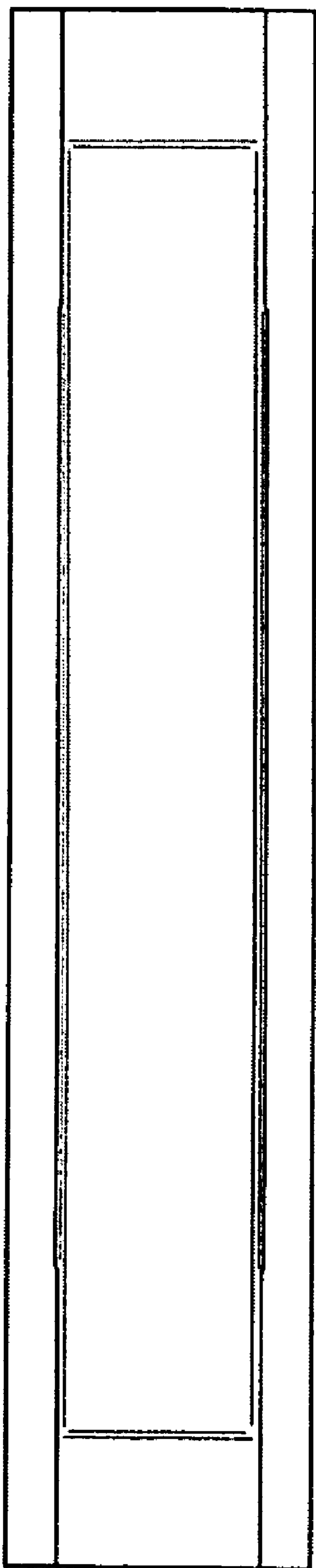
## OTHER PUBLICATIONS

Bandalero Pack, Coffee Brochure.  
Bandalero Pack, High Speed Products Brochure, Nov. 22, 2007.  
Bandalero Pack, High Speed Products Brochure, Apr. 2, 1008.  
Nescafe, Photos.  
Twix, Photos.  
Bandalero Pack, Bandalero Confectionary Brochure, Nov. 22, 2007.  
Bandalero Pack, Bandalero Confectionary Brochure, Revised Apr. 2008.  
Bandalero Pack, Bandalero Exhibition Brochure.

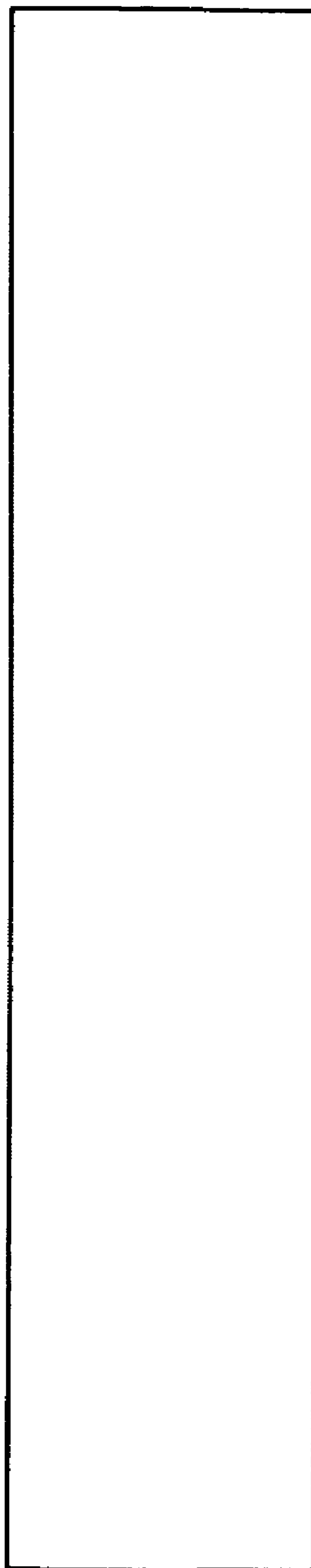
\* cited by examiner



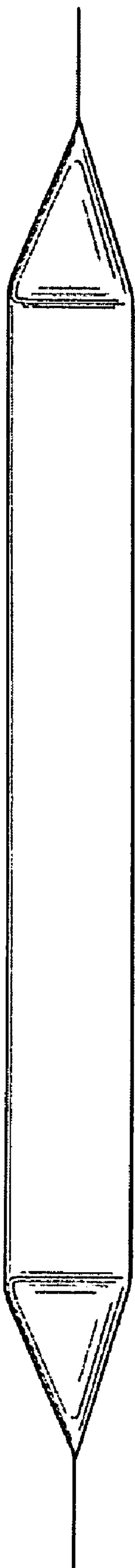
**Fig. 1**



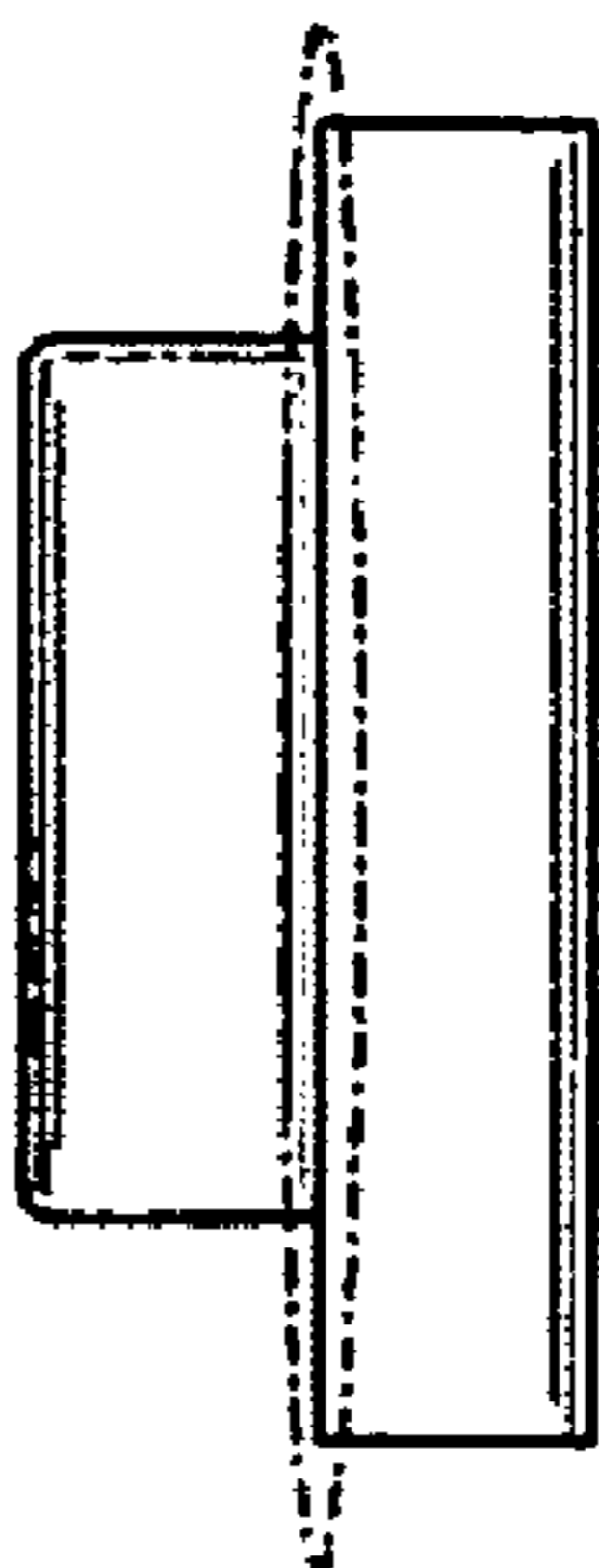
*Fig. 2*



*Fig. 3*



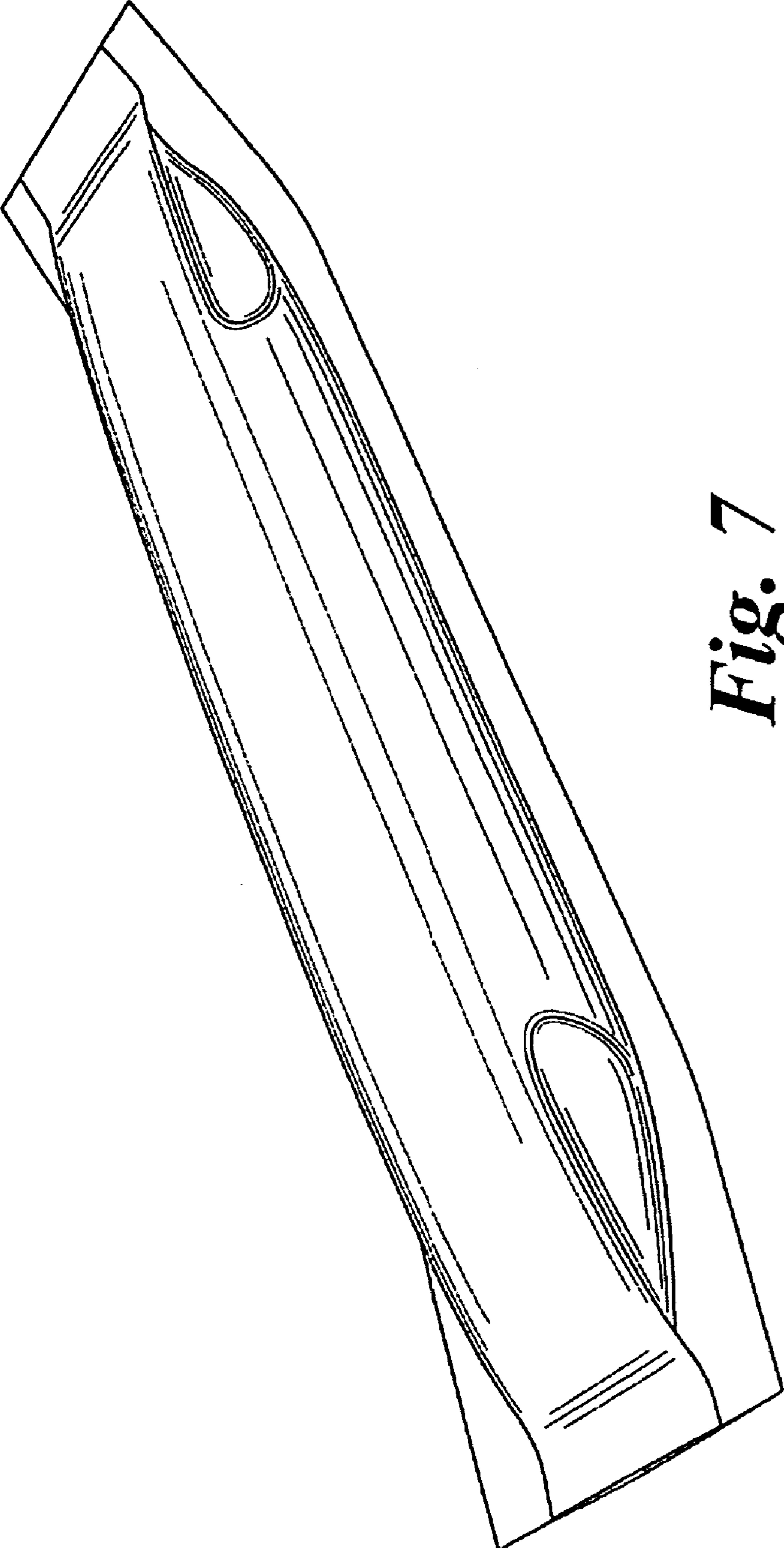
*Fig. 4*



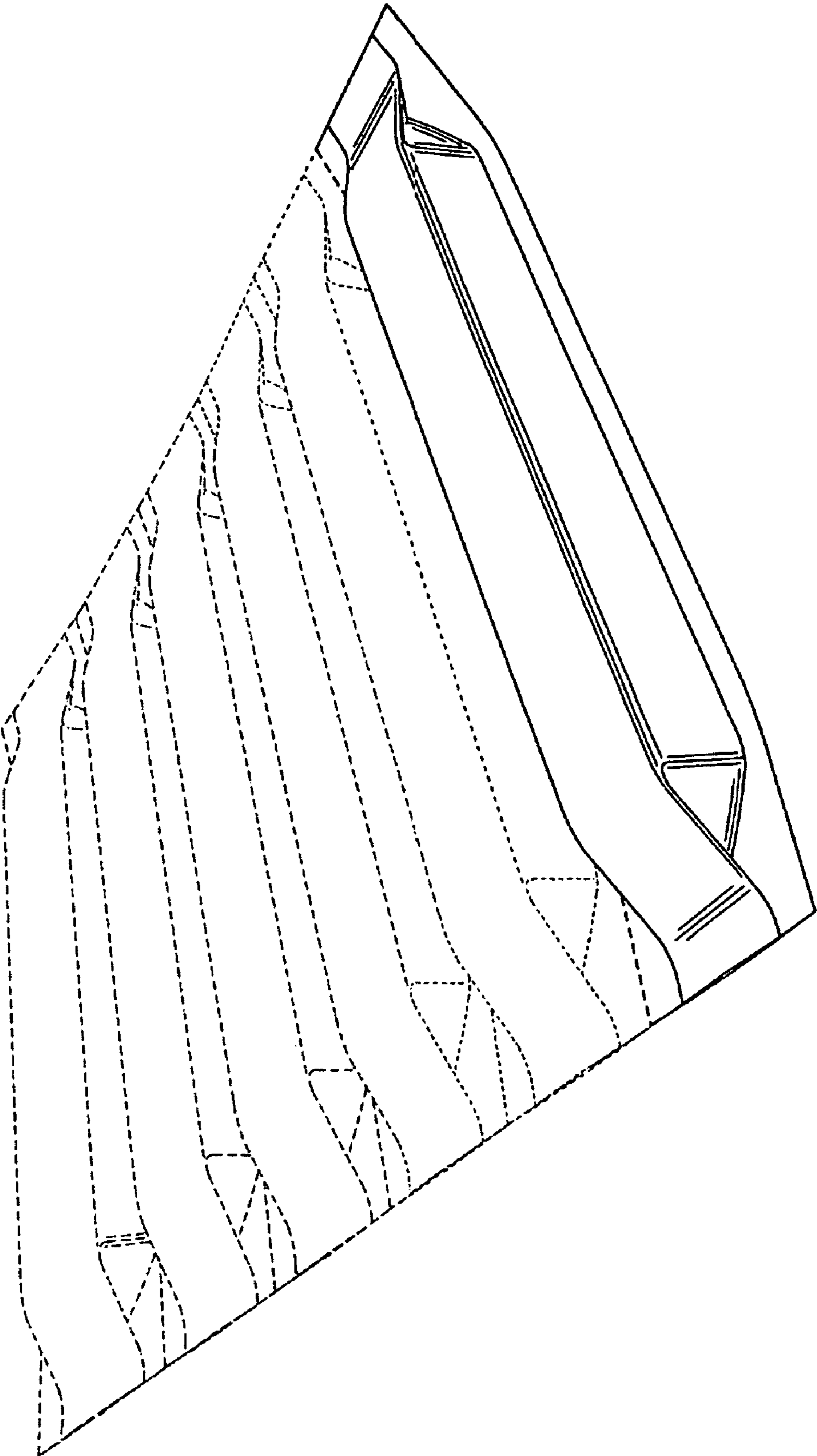
*Fig. 5*



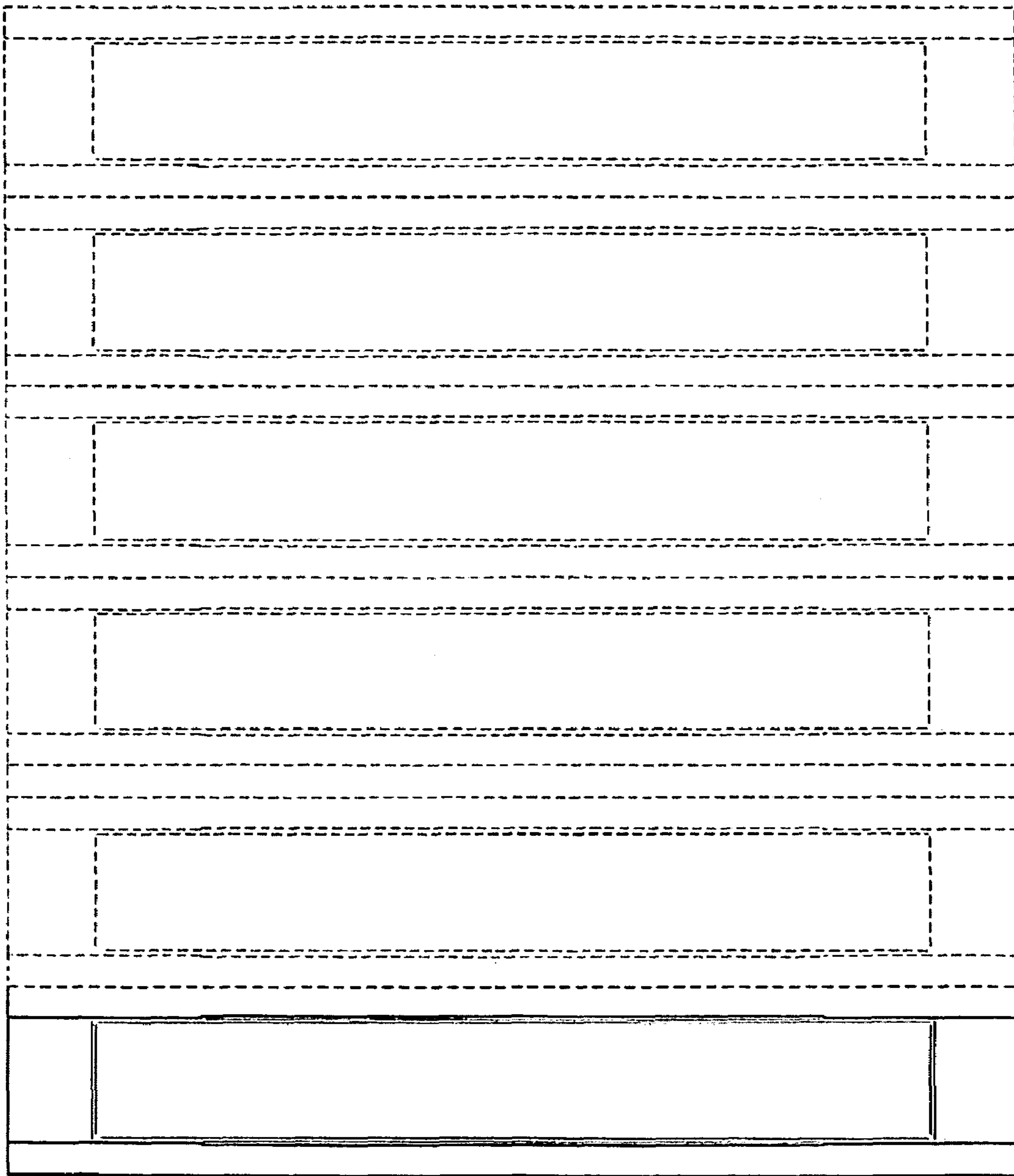
*Fig. 6*



*Fig. 7*

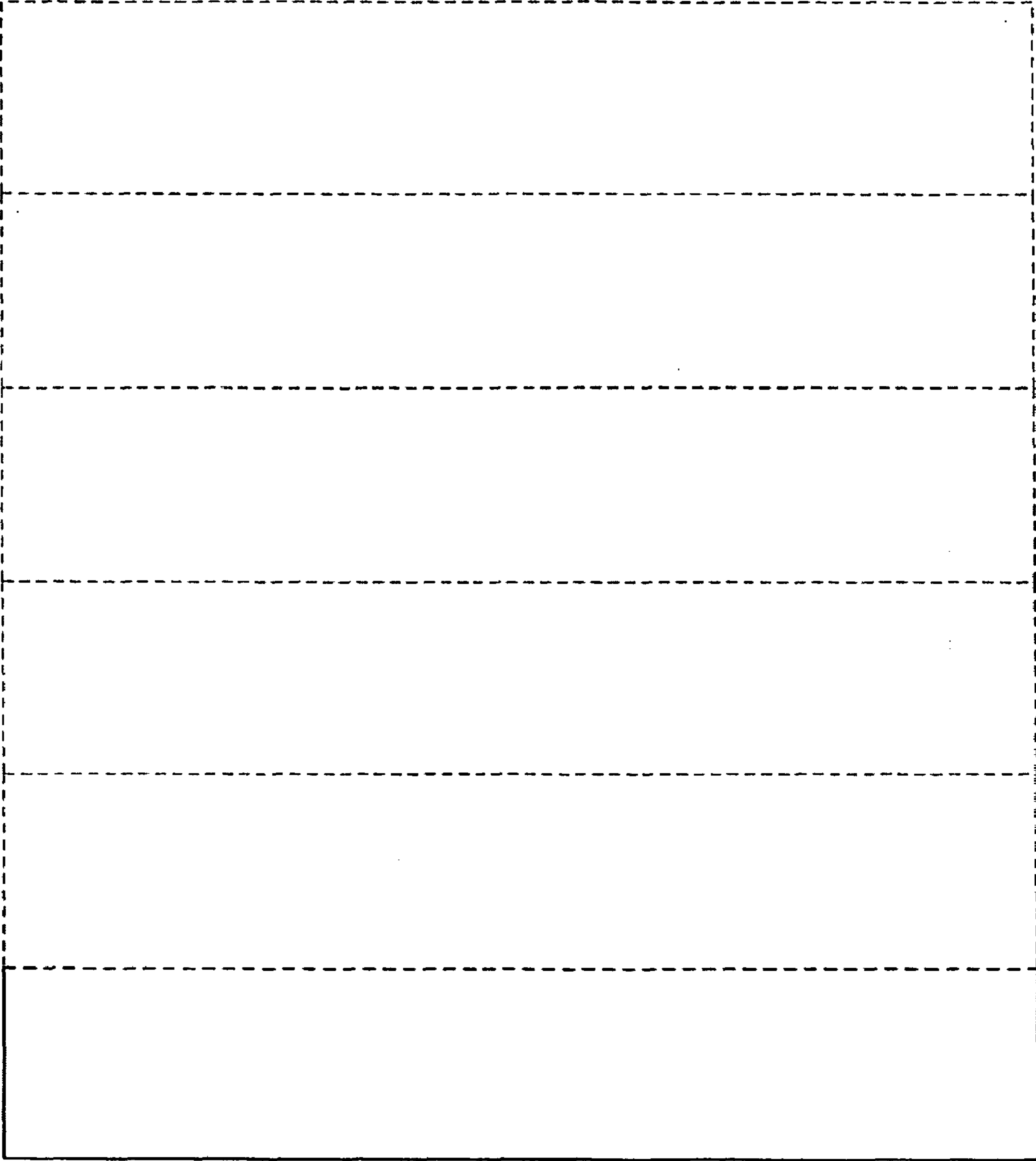


*Fig. 8*

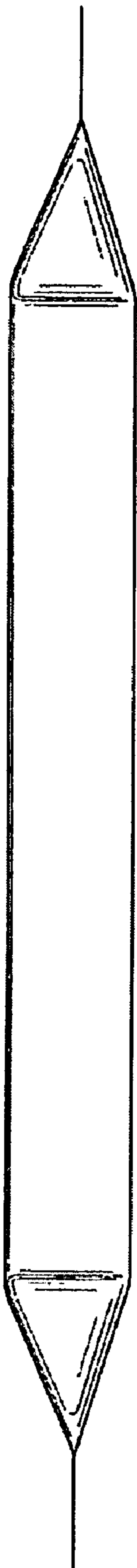


*Fig. 9*

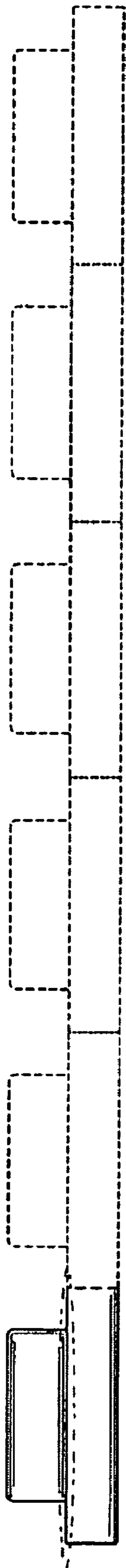




*Fig. 10*



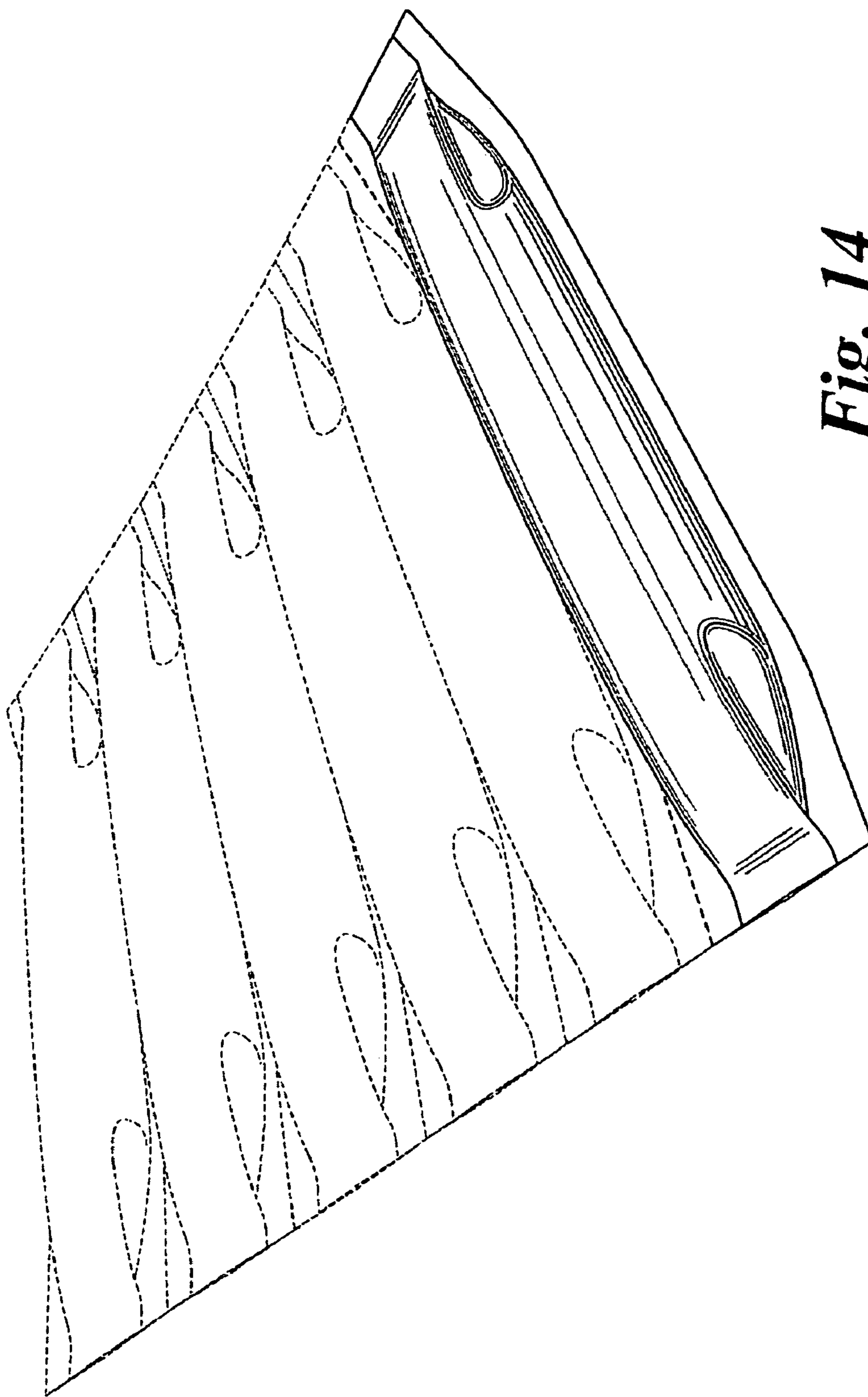
*Fig. 11*



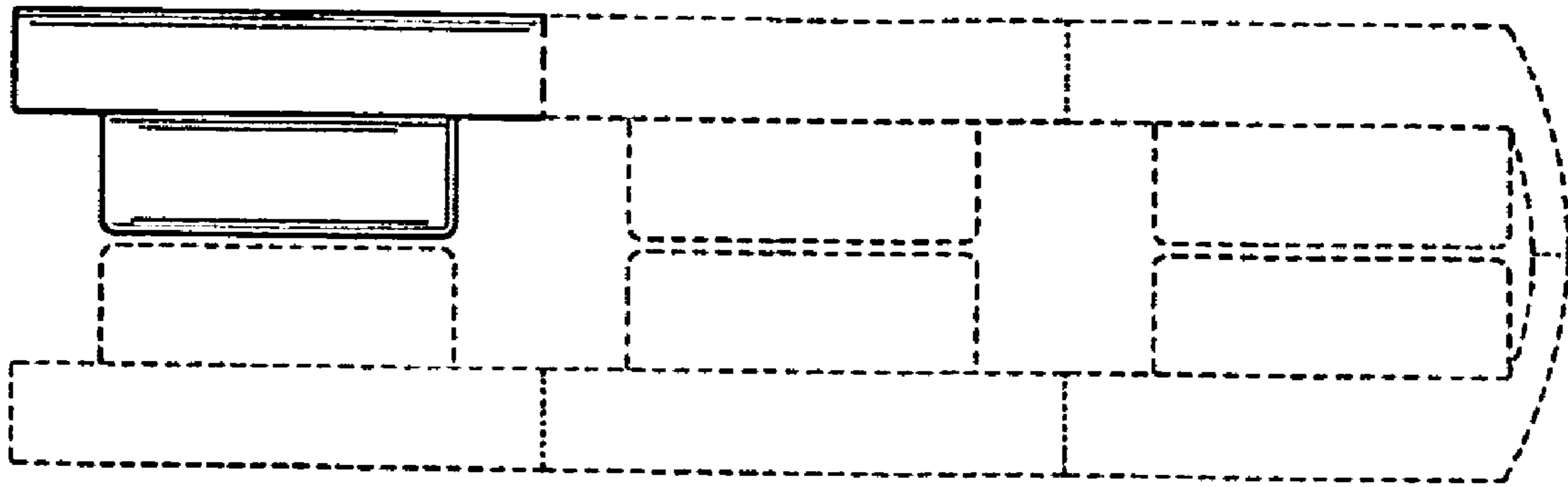
*Fig. 12*



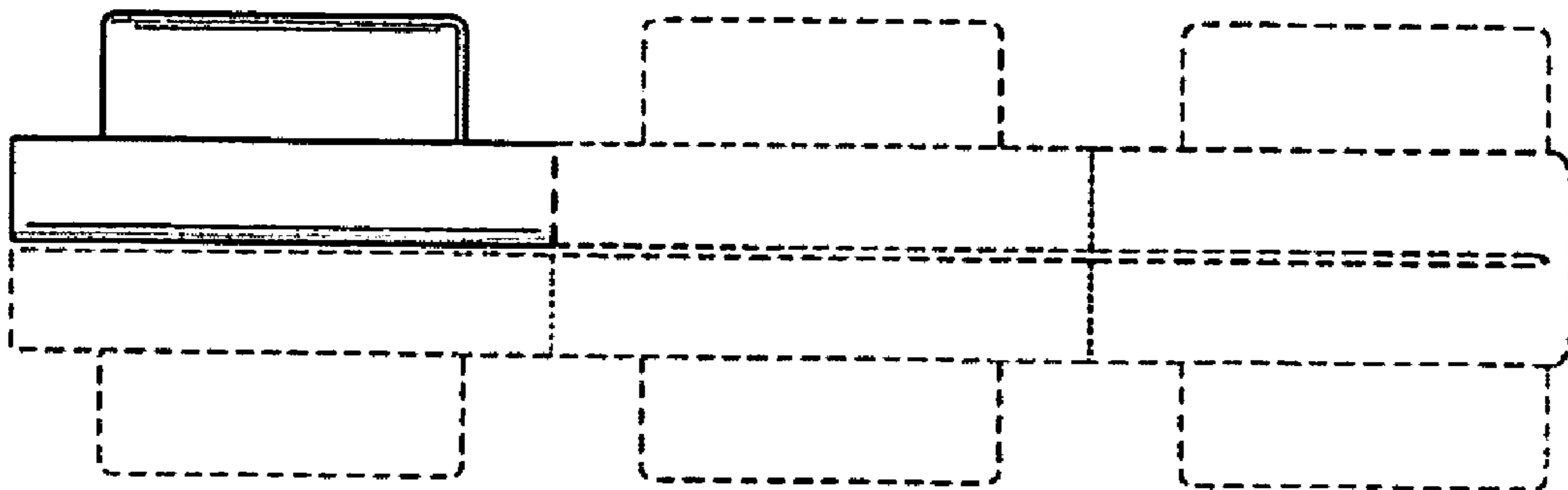
*Fig. 13*



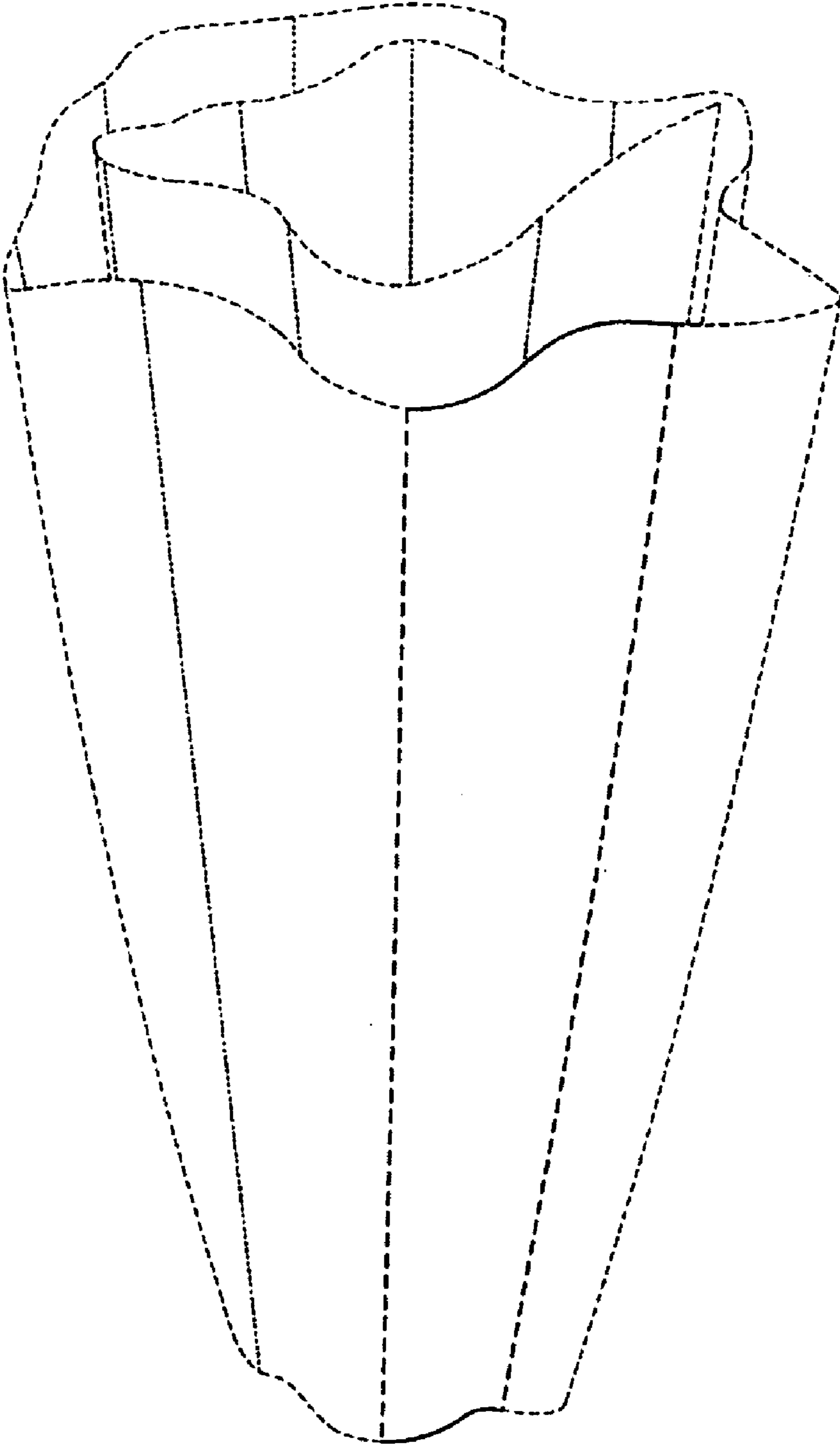
**Fig. 14**



*Fig. 15*



*Fig. 16*



***Fig. 17***