



US00D602366S

(12) **United States Design Patent**
Restive et al.

(10) **Patent No.:** **US D602,366 S**
(45) **Date of Patent:** **** Oct. 20, 2009**

(54) **CONTAINER FOR FLUID DISPENSING SYSTEM**

D493,109 S * 7/2004 Miller D9/528

FOREIGN PATENT DOCUMENTS

(75) Inventors: **Mario J. Restive**, Frankfort, NY (US);
George A. Mitchell, Utica, NY (US);
Mark I. Cushman, Ilion, NY (US);
Joseph F. Arcuri, Liverpool, NY (US);
Scott W. Osiecki, Skaneateles, NY (US);
Ronald J. Kingston, Syracuse, NY (US)

WO 2007/090120 A2 8/2007

* cited by examiner

Primary Examiner—Nanda Bondade
(74) *Attorney, Agent, or Firm*—George R. McGuire; Bond Schoeneck & King, PLLC

(73) Assignee: **The Fountainhead Group, Inc.**, New York Mills, NY (US)

(57) **CLAIM**

We claim the ornamental design for the container for fluid dispensing system, as shown and described herein.

(**) Term: **14 Years**

DESCRIPTION

(21) Appl. No.: **29/282,757**

FIG. 1 is a perspective view of the container for fluid dispensing system according to a preferred embodiment of the invention.

(22) Filed: **Jul. 27, 2007**

FIG. 2 is a top view of the container for fluid dispensing system of FIG. 1.

(51) **LOC (9) Cl.** **09-01**

(52) **U.S. Cl.** **D9/523; D9/543**

(58) **Field of Classification Search** D9/516,
D9/523–525, 528–529, 530, 537–543, 549,
D9/552, 555, 565, 571–572, 575; 215/12.1–12.2,
215/13.1, 381–385, 396, 398
See application file for complete search history.

FIG. 3 is a front elevation view of the container for fluid dispensing system of FIG. 1.

FIG. 4 is a rear elevation view of the container for fluid dispensing system of FIG. 1.

(56) **References Cited**

U.S. PATENT DOCUMENTS

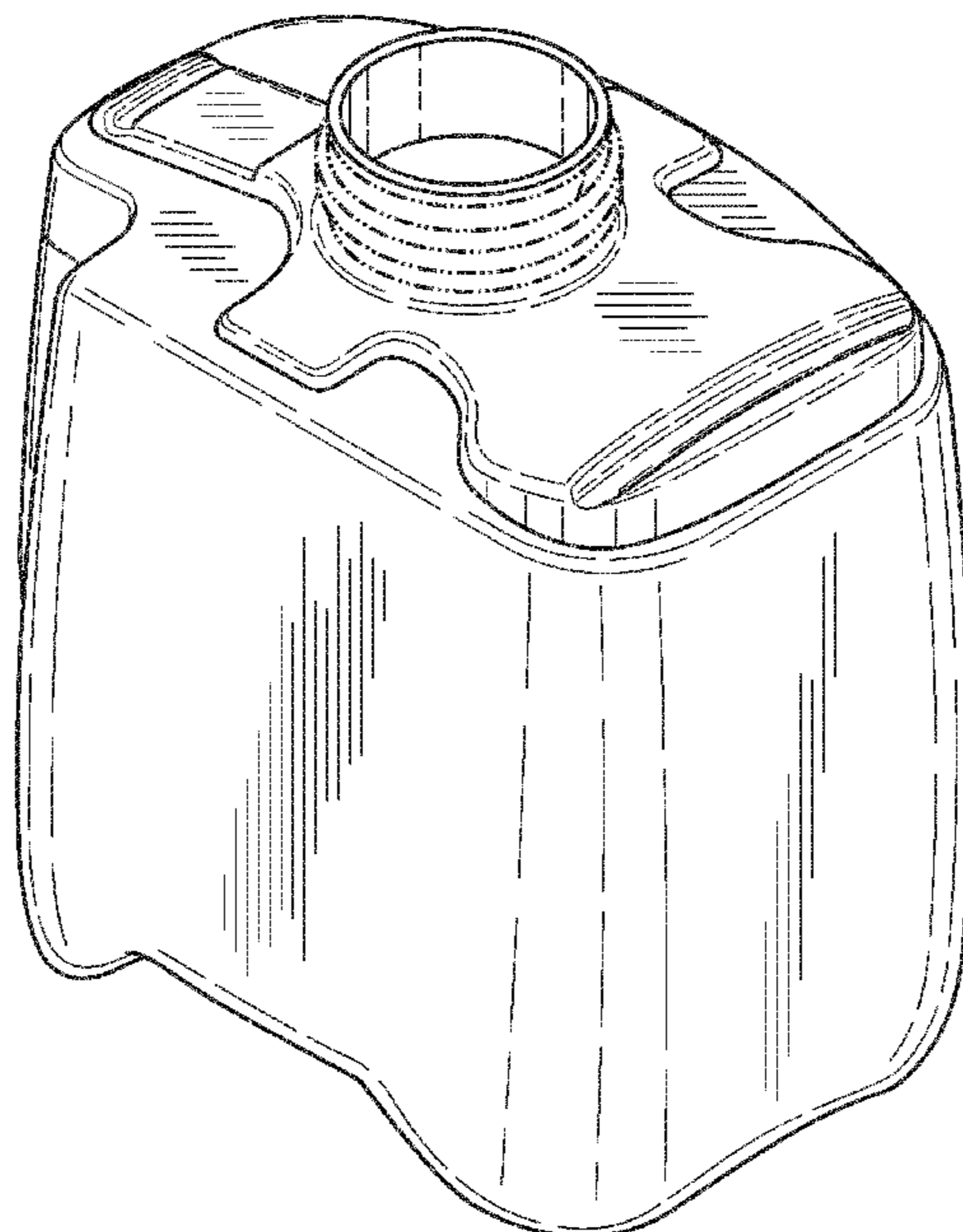
D331,516 S * 12/1992 Waring D6/545
5,196,044 A 3/1993 Caulder et al.
5,469,993 A 11/1995 Hauf et al.
5,553,750 A 9/1996 Foster
6,170,706 B1 1/2001 Havlovitz
6,367,665 B1 4/2002 Barriac et al.

FIG. 5 is a right side elevation view of the container for fluid dispensing system of FIG. 1; and,

FIG. 6 is a left side elevation view of the container for fluid dispensing system of FIG. 1.

The dash-dot-dot line showing on the drawing disclosure is for illustrative purposes only and forms no part of the claimed design.

1 Claim, 3 Drawing Sheets



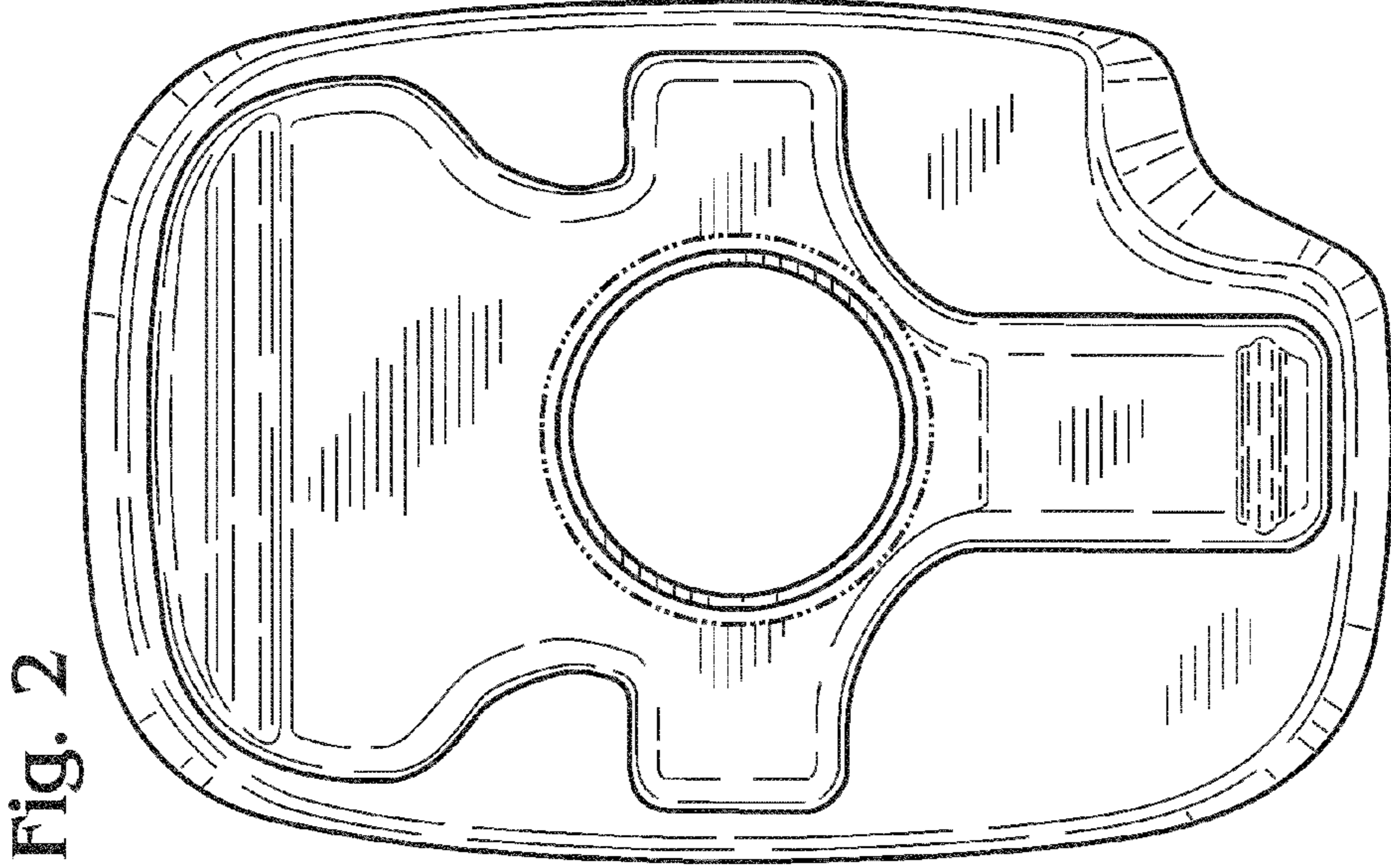


Fig. 2

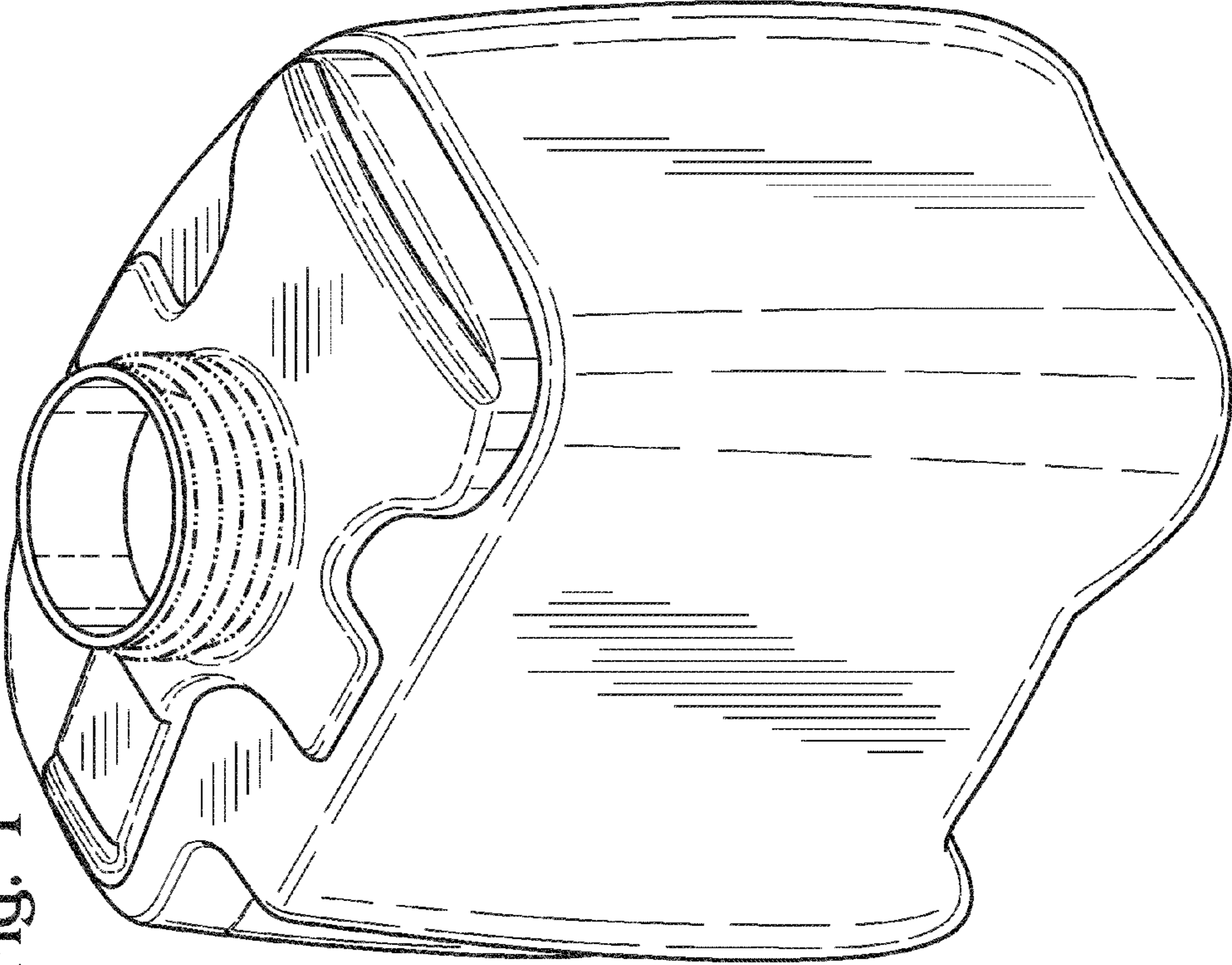


Fig. 1

Fig. 5

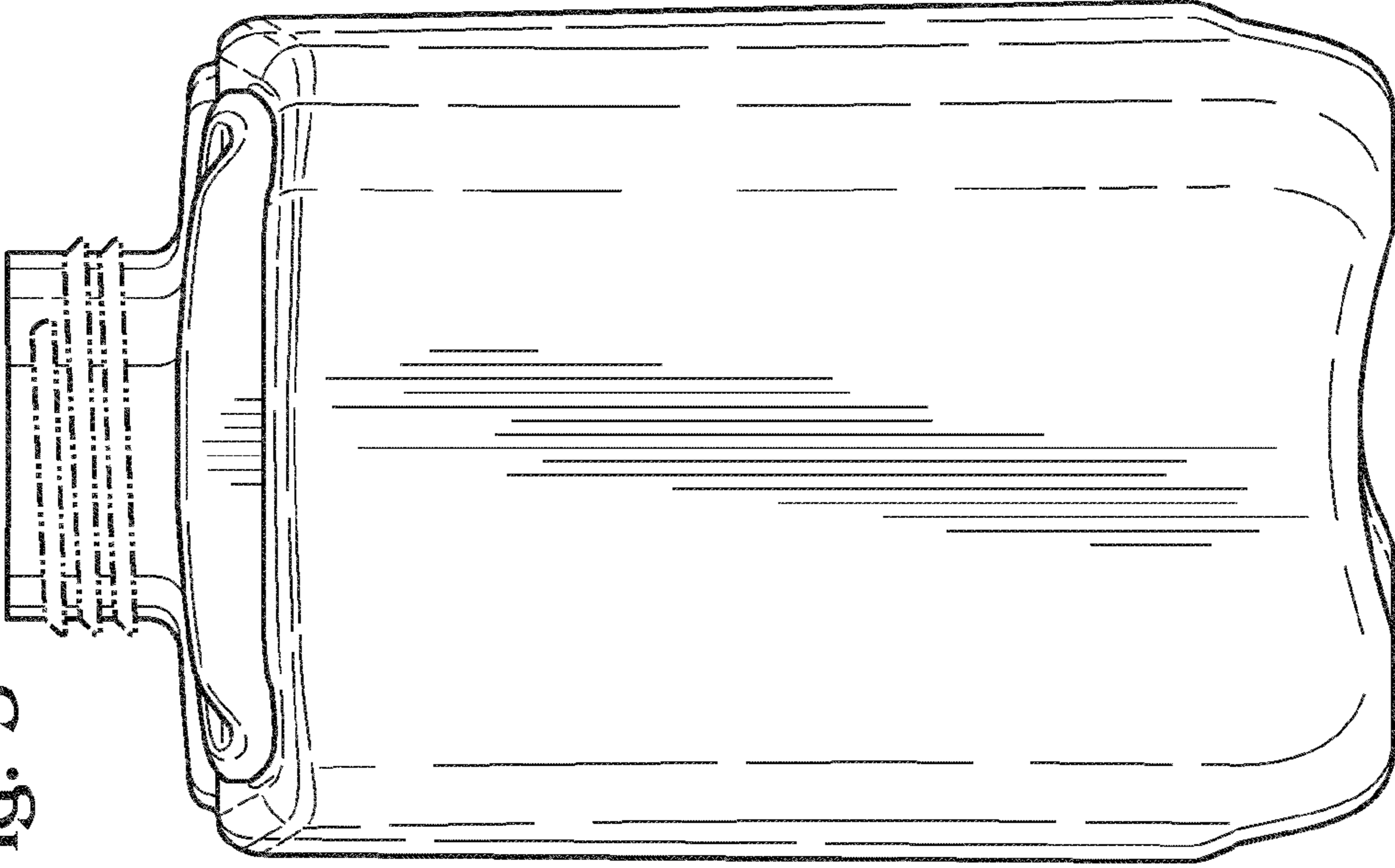


Fig. 3

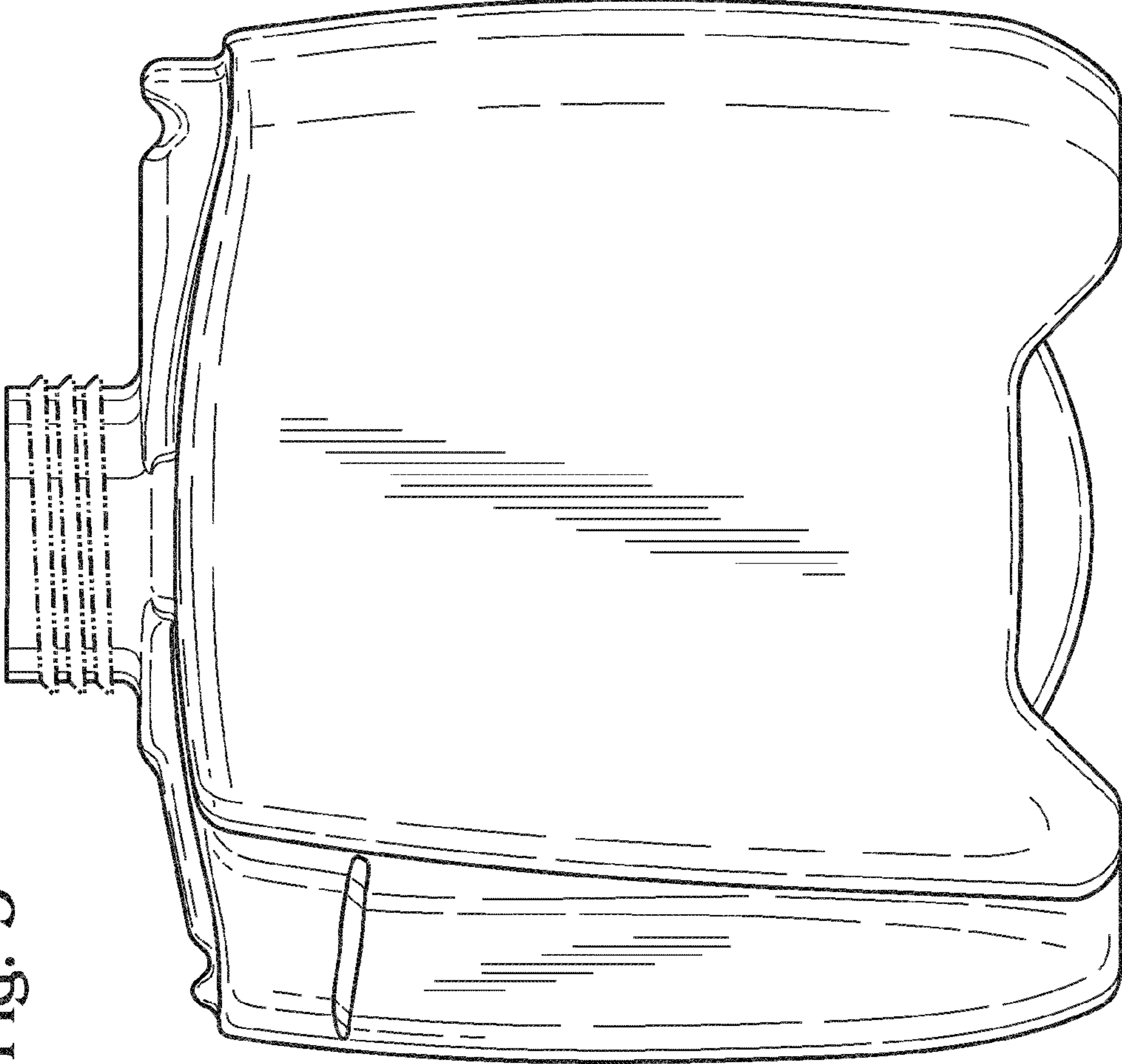


Fig. 6

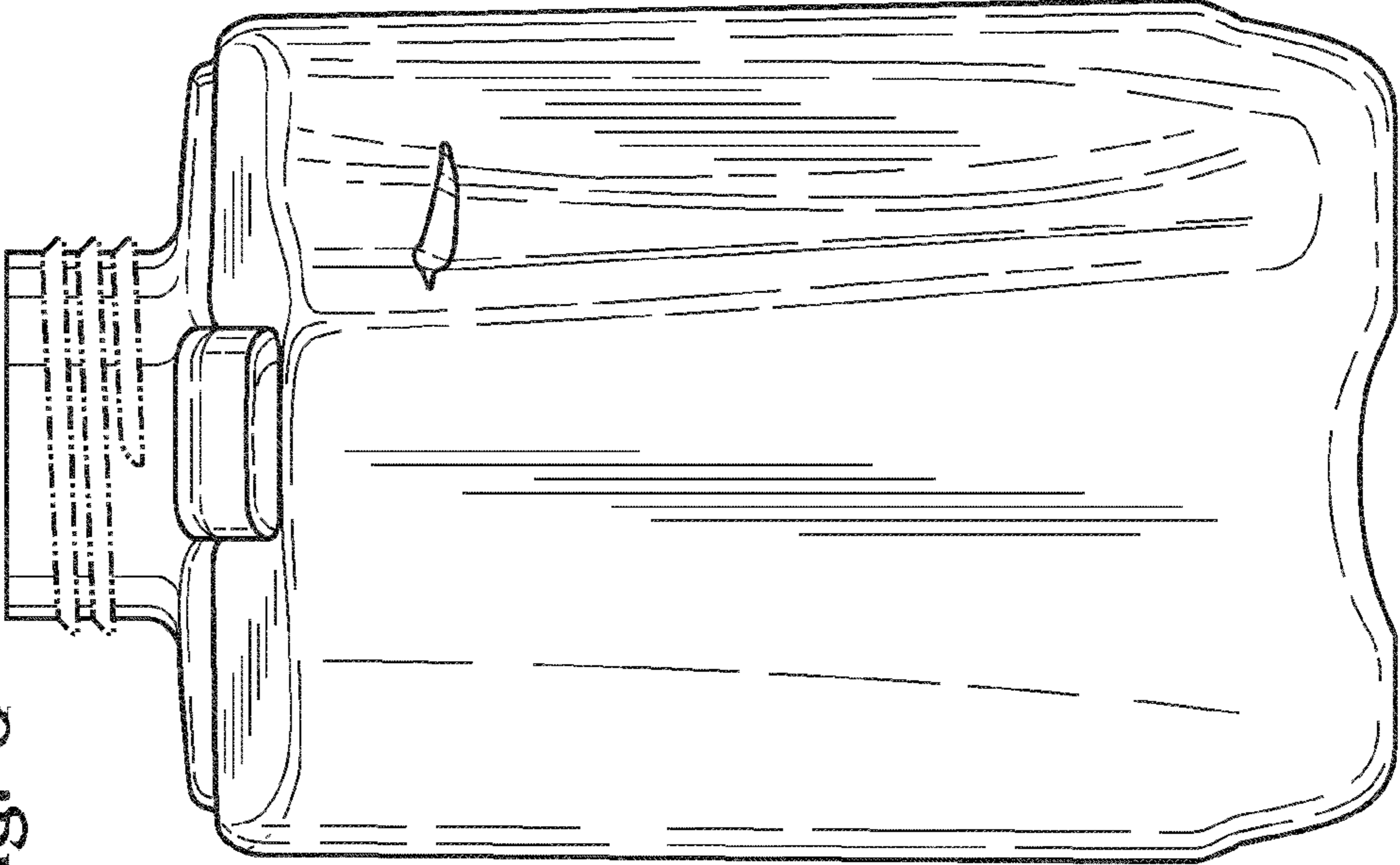


Fig. 4

