



US00D602362S

(12) **United States Design Patent**
Hering

(10) **Patent No.:** **US D602,362 S**
(45) **Date of Patent:** **** Oct. 20, 2009**

(54) **BOTTLE**

D413,805 S 9/1999 Phillips D9/526
D422,506 S 4/2000 Cummings D9/542

(75) Inventor: **Rolf Hering**, Kronach (DE)

(Continued)

(73) Assignee: **Conopco Inc.**, Englewood Cliffs, NJ
(US)

OTHER PUBLICATIONS

(**) Term: **14 Years**

Co-pending Application: Applicant: Hering, U.S. Appl. No. 29/293,937; Filed: Dec. 18, 2007;

Co-pending Application: Applicant: Eilken et al., U.S. Appl. No. 29/301,219; Filed: Feb. 15, 2008;

(21) Appl. No.: **29/301,186**

(Continued)

(22) Filed: **Feb. 15, 2008**

(30) **Foreign Application Priority Data**

Aug. 17, 2007 (GB) 4003996

Primary Examiner—Stella M Reid

Assistant Examiner—Elizabeth J Oswecki

(74) *Attorney, Agent, or Firm*—Karen E. Klumas

(51) **LOC (9) Cl.** **09-01**

(57) **CLAIM**

(52) **U.S. Cl.** **D9/521**; D9/522; D9/529;
D9/530; D9/551; D9/552; D9/571

The ornamental design for a bottle, as shown and described.

(58) **Field of Classification Search** D9/516,
D9/521, 522, 529, 530, 531, 534, 535, 537,
D9/540, 543, 549, 551, 552, 564, 565, 571,
D9/575; 215/381–385

DESCRIPTION

See application file for complete search history.

FIG. 1 is a perspective view of a bottle showing my new design;

FIG. 2 a front elevational view thereof;

FIG. 3 is a rear elevational view thereof;

FIG. 4 is a side elevational view thereof;

FIG. 5 is the opposite side elevational view thereof;

FIG. 6 is a top plan view thereof; and,

FIG. 7 is a bottom plan view thereof.

(56) **References Cited**

U.S. PATENT DOCUMENTS

D198,233 S 5/1964 Anderson et al. 58/8
D370,415 S 6/1996 Seppala D9/537
D383,394 S 9/1997 Davis D9/539
D389,744 S * 1/1998 Noe et al. D9/542
D405,373 S * 2/1999 Crawford D9/543

1 Claim, 4 Drawing Sheets



US D602,362 S

Page 2

U.S. PATENT DOCUMENTS

D425,795 S *	5/2000	Feen	D9/521	D543,116 S *	5/2007	Heisner	D9/540
D429,648 S *	8/2000	Goettner	D9/540	D545,201 S *	6/2007	Pitassi	D9/520
D431,191 S *	9/2000	Farris	D9/529	D546,187 S *	7/2007	Ratzlaff	D9/529
D437,548 S	2/2001	Desgrippes et al.	D9/300	D550,085 S	9/2007	Ratzlaff	D9/516
D440,157 S	4/2001	Lichtman et al.	D9/539	D551,555 S	9/2007	Escobosa et al.	D9/529
D443,518 S *	6/2001	Goettner	D9/530	D552,995 S *	10/2007	Toh	D9/516
D445,691 S *	7/2001	Farris	D9/530	D567,662 S *	4/2008	Feen et al.	D9/542
D447,411 S	9/2001	Lichtman et al.	D9/434	D578,398 S *	10/2008	Kuzma et al.	D9/539
D448,998 S *	10/2001	Farris	D9/522	D583,673 S *	12/2008	Freeborn et al.	D9/542
D460,917 S	7/2002	Trabal	D9/551	D585,750 S *	2/2009	Kuzma et al.	D9/529
D464,267 S	10/2002	Mixon	D9/539	D585,751 S *	2/2009	Dombrowski et al.	D9/529
D471,461 S	3/2003	McGowan	D9/522	D590,717 S *	4/2009	Weber	D9/543
D480,005 S	9/2003	Conway	D9/530	D590,719 S *	4/2009	Zwolbar et al.	D9/556
D482,286 S	11/2003	Samson et al.	D9/522				
D482,620 S	11/2003	Kleckauskas et al.	D9/530				
D496,283 S	9/2004	Busa, Jr.	D9/542				
D524,657 S	7/2006	Harris et al.	D9/522				
D526,204 S	8/2006	Stolle	D9/529				
D535,565 S *	1/2007	Pitassi	D9/530				
D539,155 S *	3/2007	Steinmann	D9/530				

OTHER PUBLICATIONS

Pictures of Taft Looks IGEL, Views: Front, Right Side, Left Side, Top, and Perspective (2006) and Internet page from Web Packaging (www.webpackaging.com).

Co-pending Application: Applicant: Eilken et al., U.S. Appl. No. 29/293,936; Filed: Dec. 18, 2007;

* cited by examiner



Fig. 1.

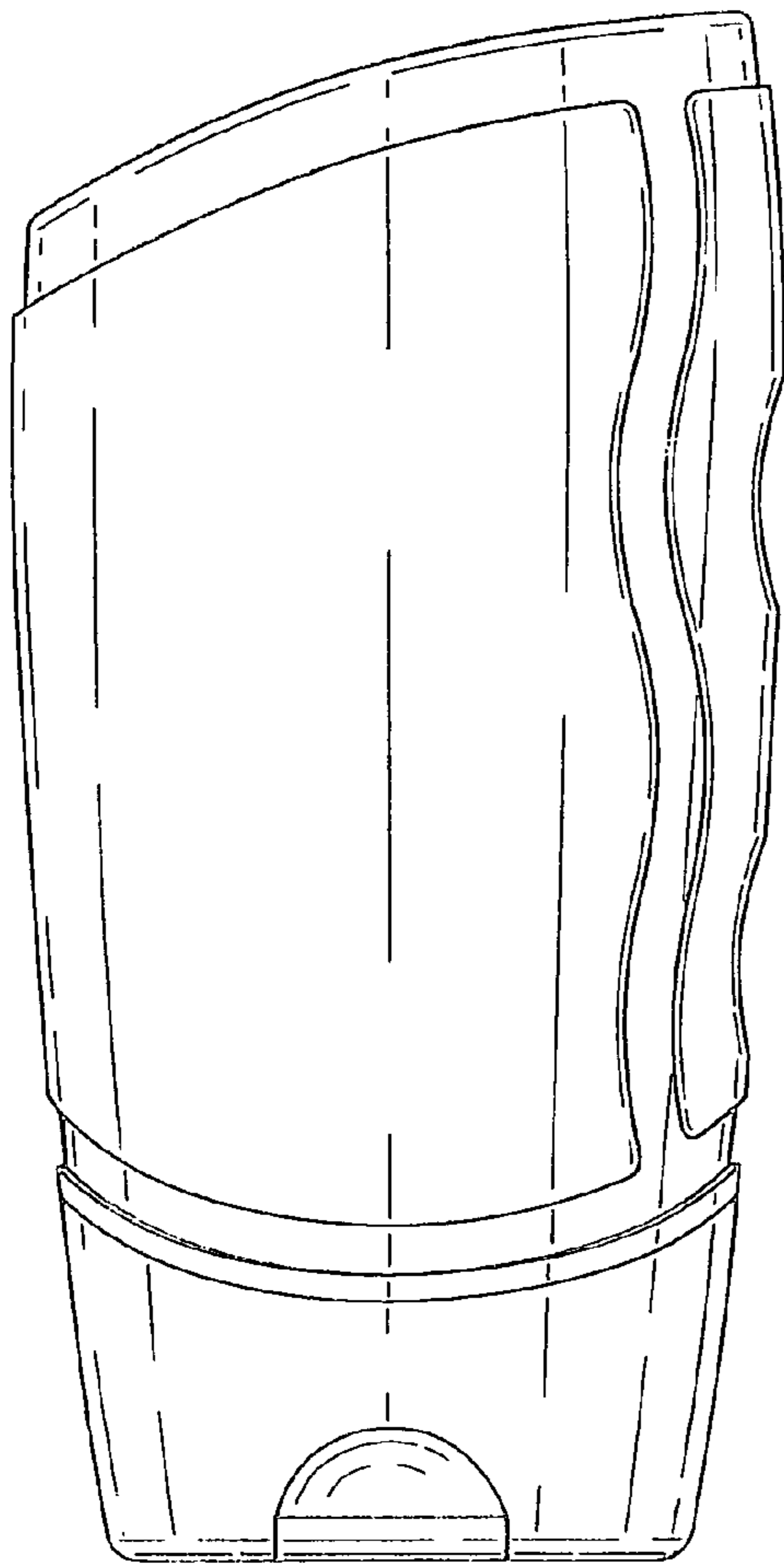


Fig.2.

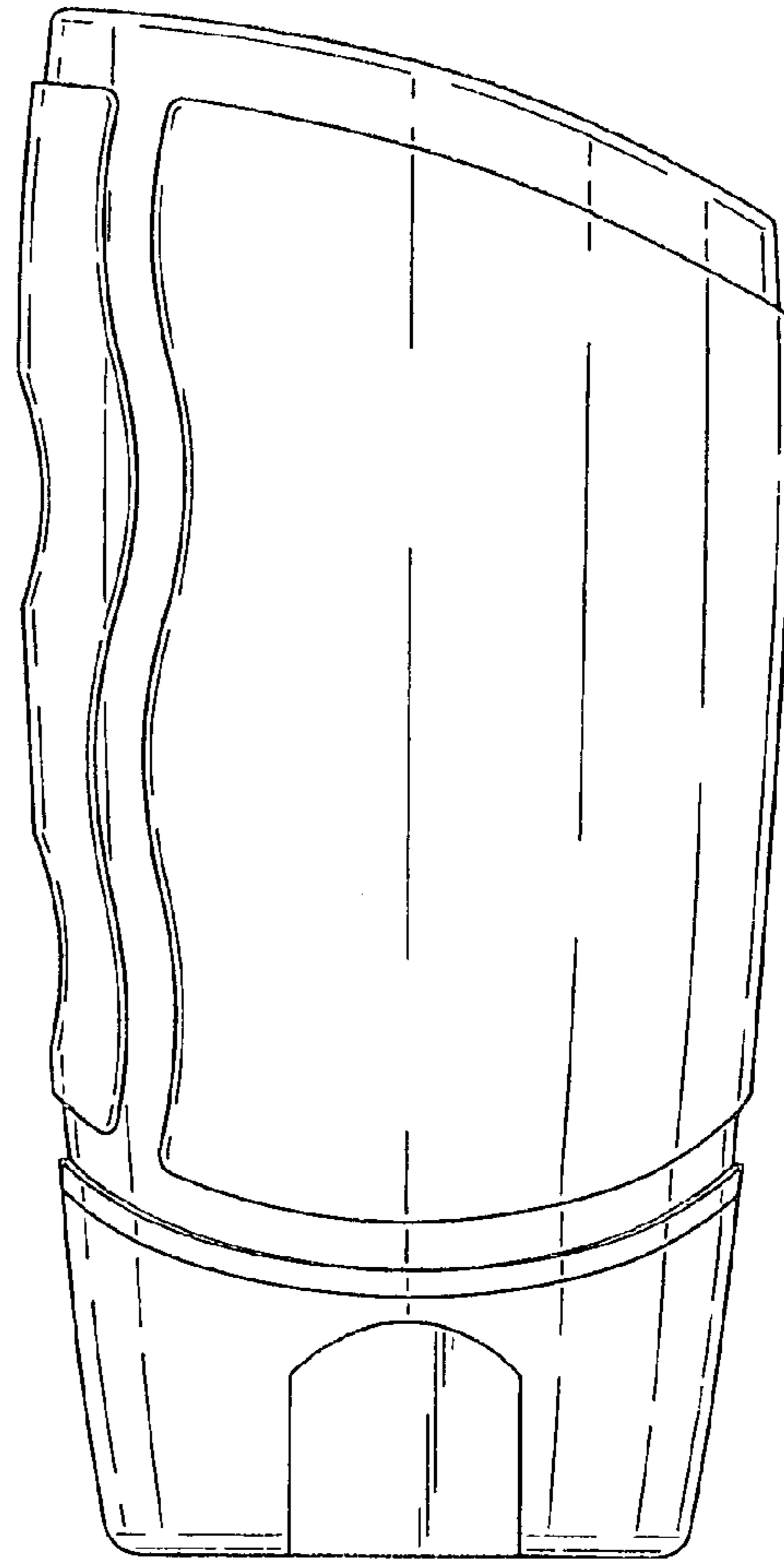


Fig.3.

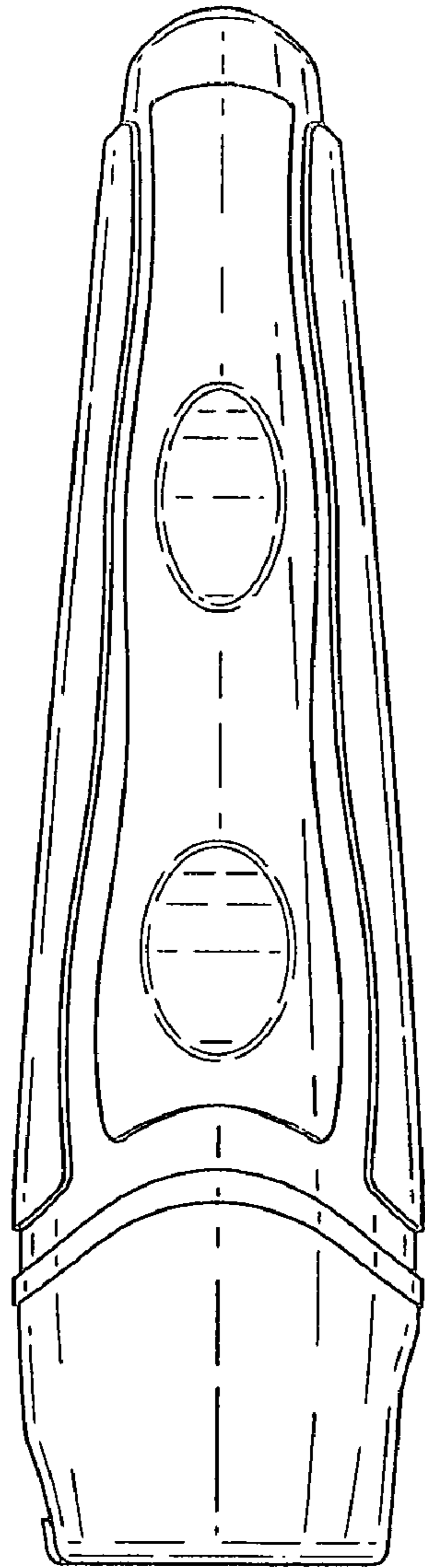


Fig.4.

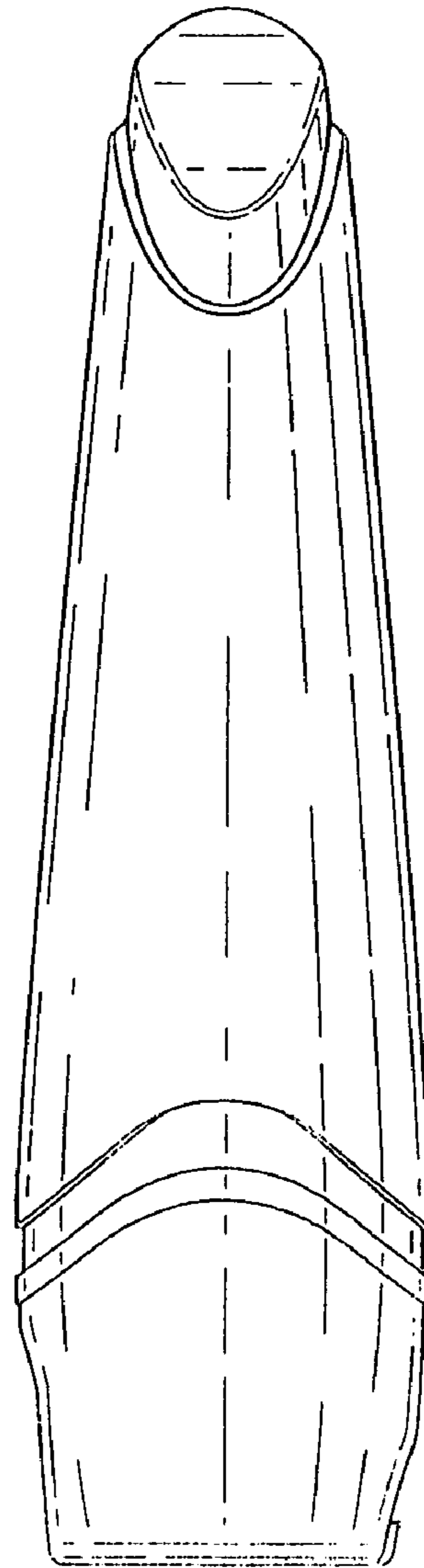


Fig.5.

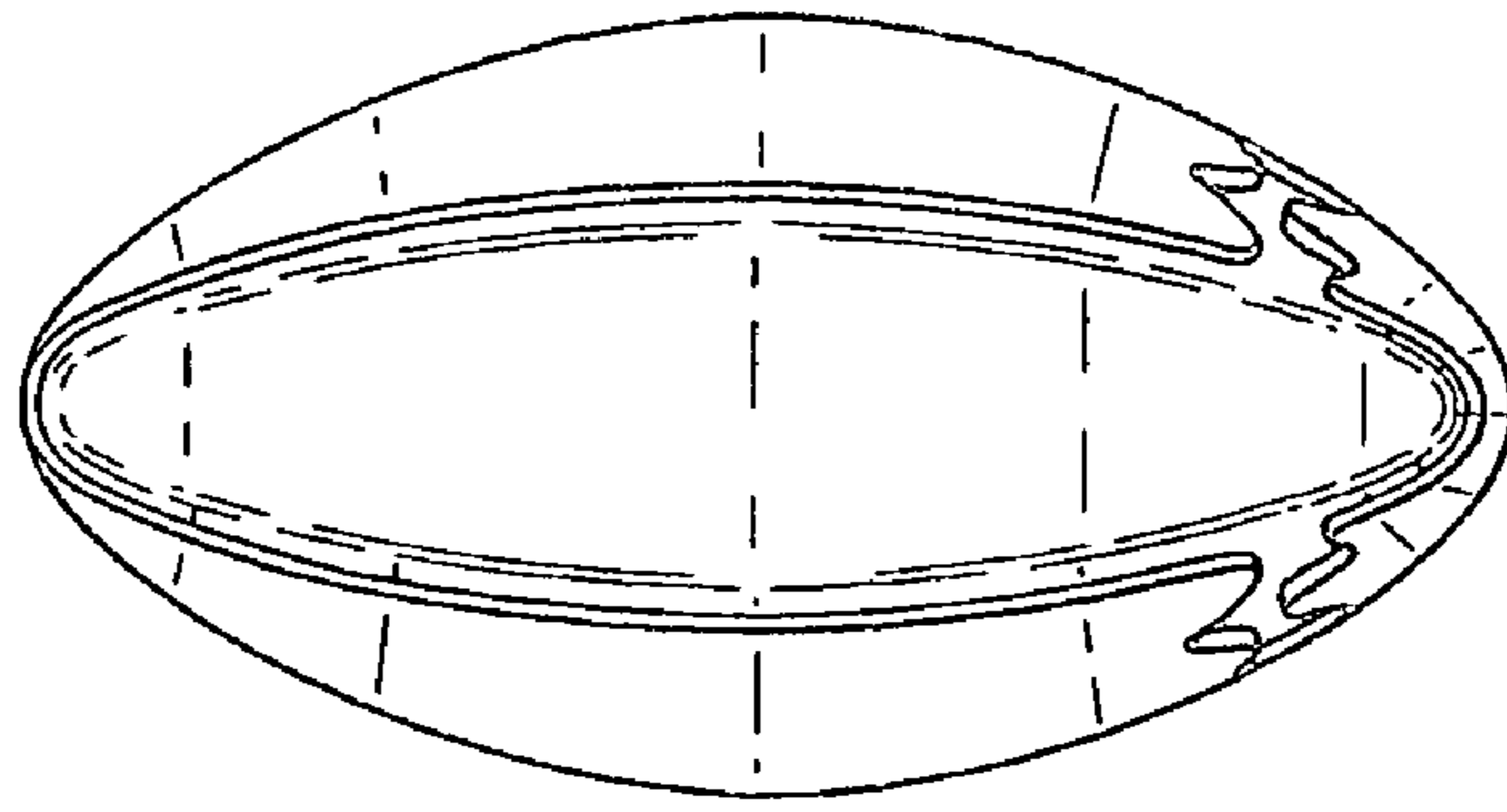


Fig. 6.

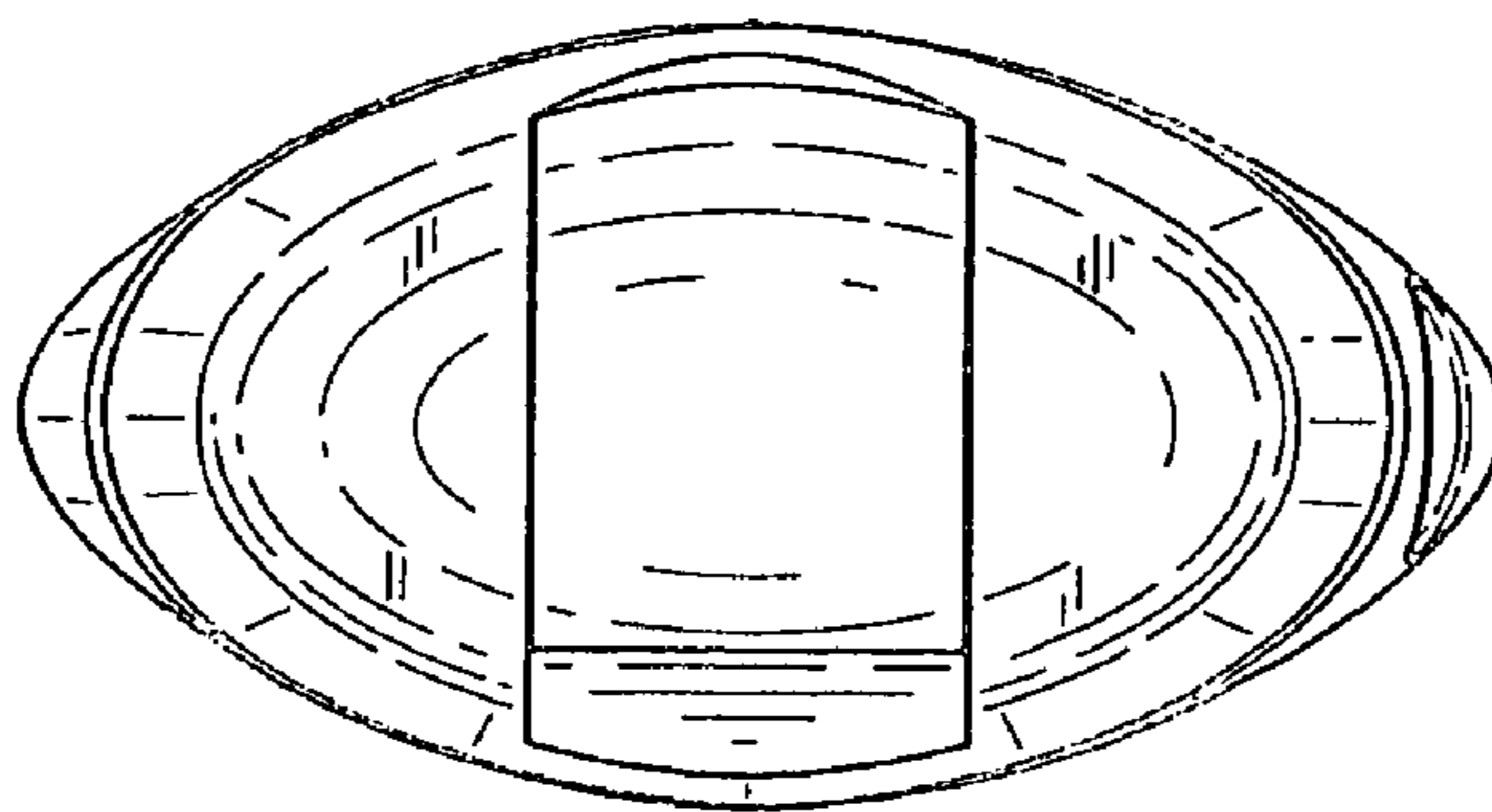


Fig. 7.