



US00D602361S

(12) **United States Design Patent**
Klein

(10) **Patent No.:** **US D602,361 S**

(45) **Date of Patent:** **** Oct. 20, 2009**

(54) **BOTTLE TOP TO BOTTOM BASE, CAP OR
THREADING COUPLING**

(76) **Inventor:** **Steven Klein**, 325 Beacon Ridge La.,
Walnut Creek, CA (US) 94597

(**) **Term:** **14 Years**

(21) **Appl. No.:** **29/312,322**

(22) **Filed:** **Oct. 14, 2008**

(51) **LOC (9) Cl.** **09-01**

(52) **U.S. Cl.** **D9/516; D9/520**

(58) **Field of Classification Search** D9/516,
D9/520, 522, 530, 537, 539, 549, 574, 434,
D9/435, 500, 454, 529, 745, 746; 215/6,
215/10, 381-385

See application file for complete search history.

(56) **References Cited**

U.S. PATENT DOCUMENTS

769,615	A *	9/1904	Kosansvich	215/10
3,405,831	A *	10/1968	Hudson	215/330
3,435,978	A *	4/1969	Wittwer	215/217
5,676,270	A *	10/1997	Roberts	215/330
D398,856	S *	9/1998	Silvenis et al.	D9/542
5,803,281	A *	9/1998	Towns	215/44
5,887,740	A *	3/1999	Hong	220/4.27
D441,650	S *	5/2001	Salzburg et al.	D9/434
D487,697	S *	3/2004	Rosen	D9/745

D551,550	S *	9/2007	Noonan	D9/454
D567,659	S *	4/2008	Gran et al.	D9/516
D581,271	S *	11/2008	Laupie	D9/500
D587,118	S *	2/2009	Sadiq et al.	D9/516
2007/0205175	A1 *	9/2007	Darr et al.	215/40

* cited by examiner

Primary Examiner—Stella M Reid

Assistant Examiner—Elizabeth J Oswecki

(74) *Attorney, Agent, or Firm*—Edward P Dutkiewicz

(57) **CLAIM**

The ornamental design for a bottle top to bottom base, cap or threaded coupling, as shown and described.

DESCRIPTION

FIG. 1 is a front elevational view of the bottle top to bottom base, cap or threading coupling shown inside a bottle, showing my new design, all sides being identical;

FIG. 2 is a top plan view thereof;

FIG. 3 is a bottom plan view thereof; and,

FIG. 4 is a cross sectional elevational view thereof, taken along line 4—4 of FIG. 2.

The broken line showing of a bottle in Figure is included for the purpose of illustrating only and forms no part of the claimed design.

1 Claim, 2 Drawing Sheets

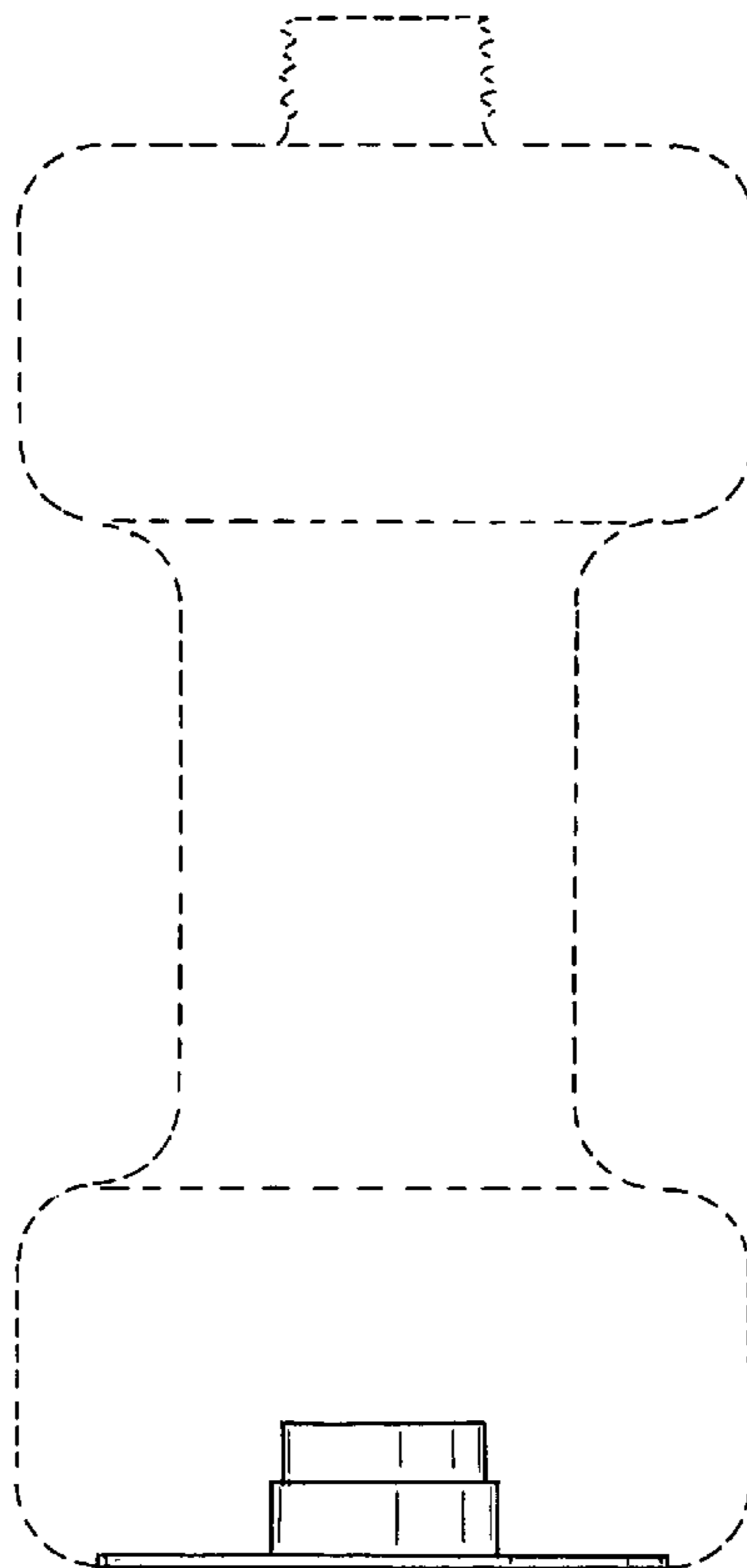


FIG 1

