



US00D602352S

(12) **United States Design Patent**
Pendergrass et al.

(10) **Patent No.:** **US D602,352 S**

(45) **Date of Patent:** **** Oct. 20, 2009**

(54) **STAND-UP FOOD TRAY**

(75) Inventors: **William B. Pendergrass**, Asheville, NC
(US); **Russell L. Baur**, Waynesville, NC
(US)

(73) Assignee: **Associated Packaging Enterprises, Inc.**, Chadds Ford, PA (US)

(**) Term: **14 Years**

(21) Appl. No.: **29/306,302**

(22) Filed: **Apr. 7, 2008**

(51) **LOC (9) Cl.** **09-03**

(52) **U.S. Cl.** **D9/424**

(58) **Field of Classification Search** D9/424,
D9/414, 415, 416, 419, 420, 423, 425, 426,
D9/429, 432, 566; D3/201, 294, 304; D7/602,
D7/629; 206/449, 499, 505, 822; 220/315,
220/324, 659, 675; 229/108, 406, 407, 906
See application file for complete search history.

(56) **References Cited**

U.S. PATENT DOCUMENTS

- D151,679 S * 11/1948 Braun et al. D9/423
- 3,029,937 A 4/1962 Vogt
- D198,475 S 6/1964 Mojonier
- 3,344,974 A * 10/1967 Bostrom 229/123.1
- 3,410,698 A 11/1968 Sosin
- 3,937,389 A * 2/1976 Wind 229/406
- D253,456 S 11/1979 Payne
- D276,381 S 11/1984 Nagle et al.
- D309,715 S * 8/1990 Kuerti D9/424
- 5,083,700 A * 1/1992 Mello et al. 229/115
- D334,141 S * 3/1993 Gottofredi D9/425

- D382,956 S * 8/1997 Collins D23/420
- D409,911 S 5/1999 Guillin
- D471,442 S 3/2003 Lee
- D482,277 S * 11/2003 Castellanos et al. D9/425
- D528,908 S * 9/2006 Faktorovich et al. D9/424
- 2006/0237454 A1 10/2006 Clarke

* cited by examiner

Primary Examiner—Prabhakar Deshmukh

Assistant Examiner—Derrick Holland

(74) *Attorney, Agent, or Firm*—Banner & Witcoff, Ltd.

(57) **CLAIM**

The ornamental design for a stand-up food tray, as shown and described.

DESCRIPTION

FIG. 1 is a perspective view of a stand-up food tray showing our new design;

FIG. 2 is a front elevation view thereof;

FIG. 3 is a rear elevation view thereof;

FIG. 4 is a left side elevation view thereof;

FIG. 5 is a right side elevation view thereof;

FIG. 6 is an alternate left side elevation view thereof, rotated 90 degrees;

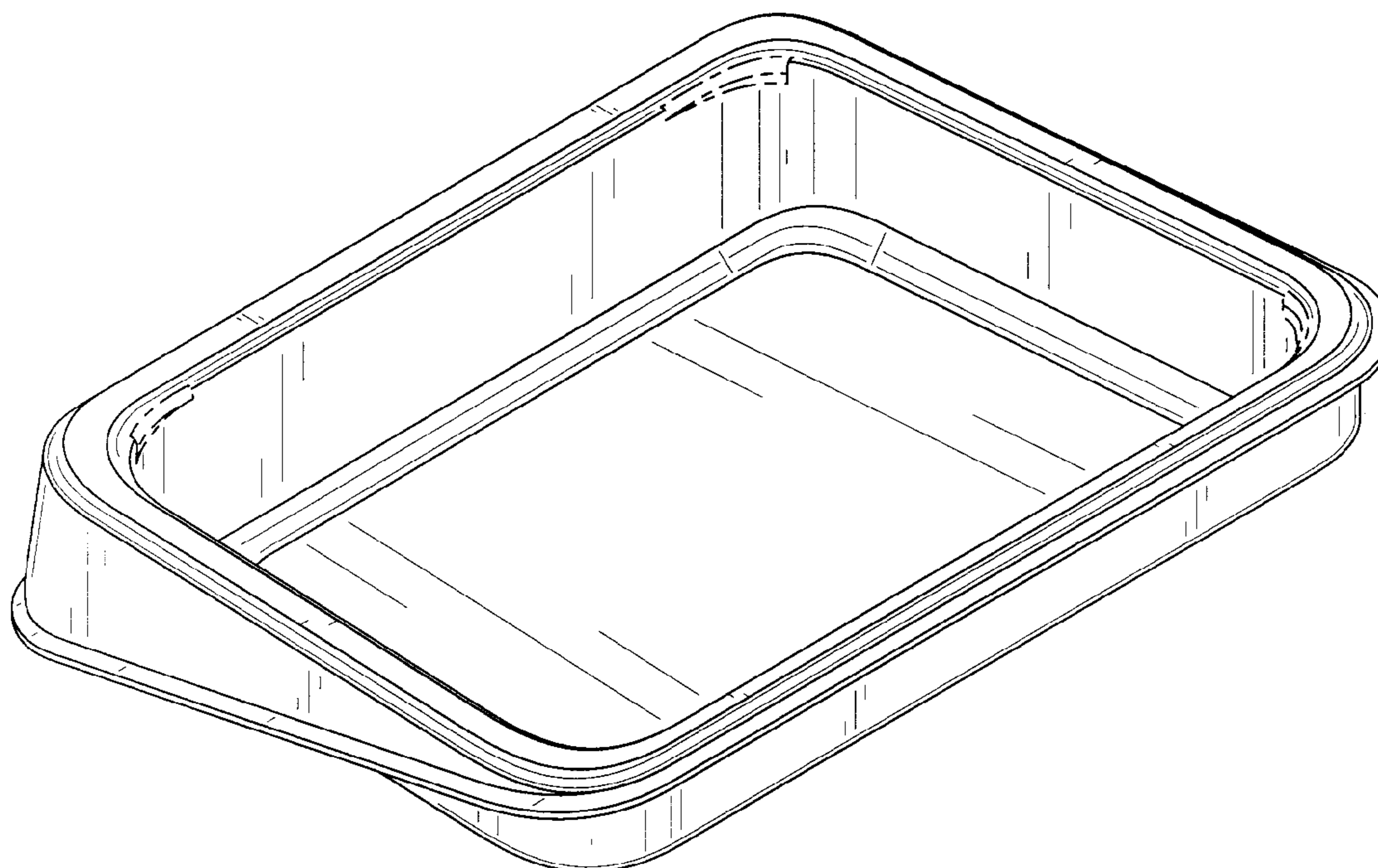
FIG. 7 is a top plan view thereof;

FIG. 8 is a bottom plan view thereof; and,

FIG. 9 is another perspective view shown in environmental use.

The broken lines are shown for illustrative purposes only and form no part of the claimed design.

1 Claim, 7 Drawing Sheets



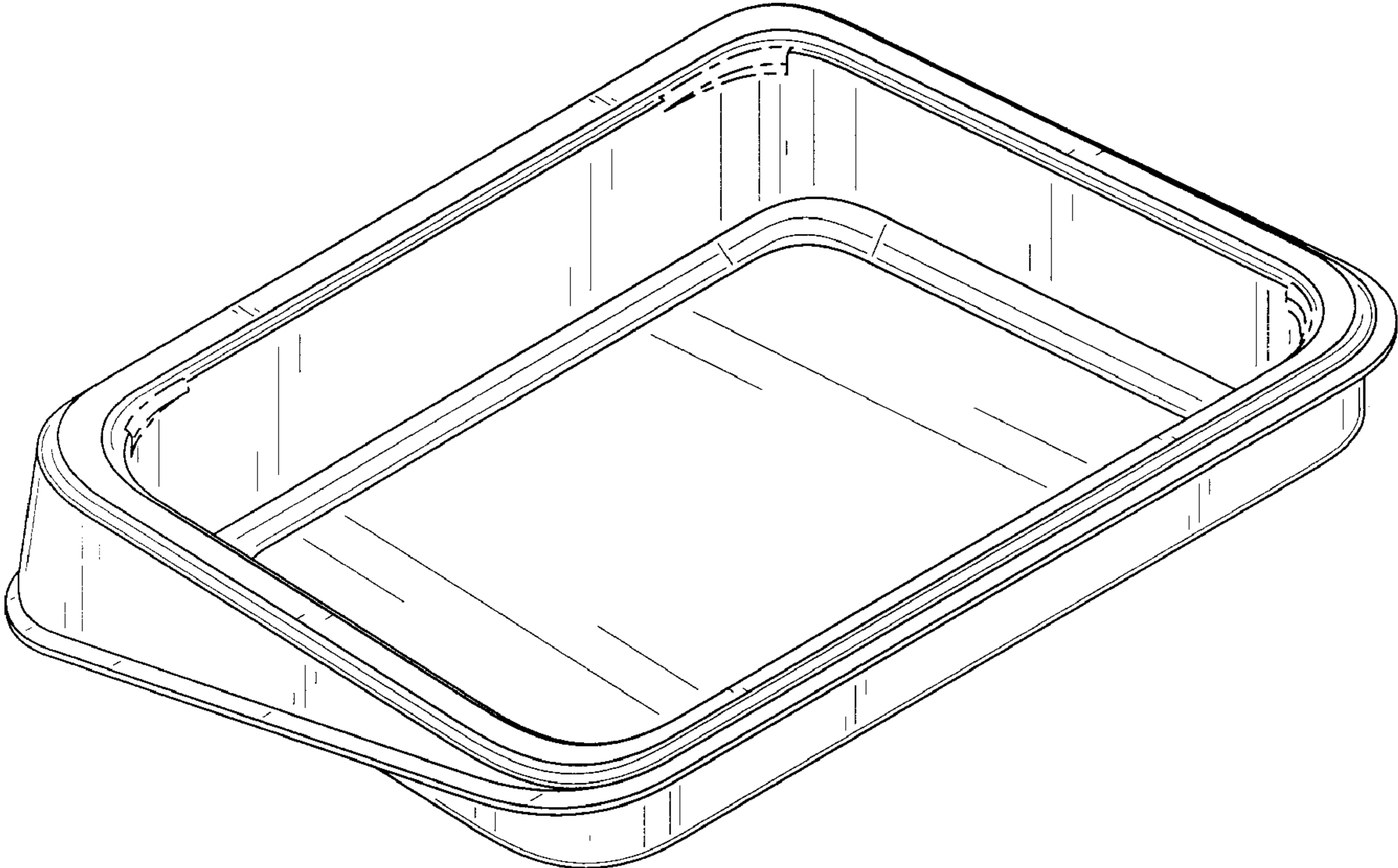


FIG. 1

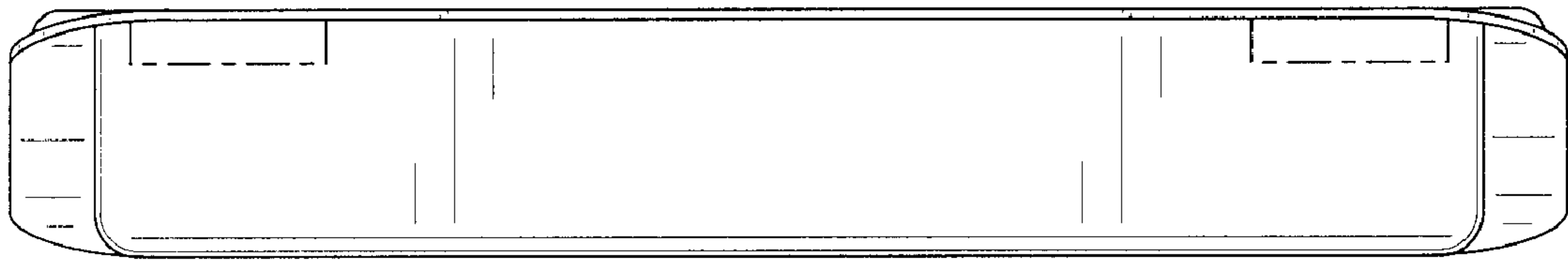


FIG. 2

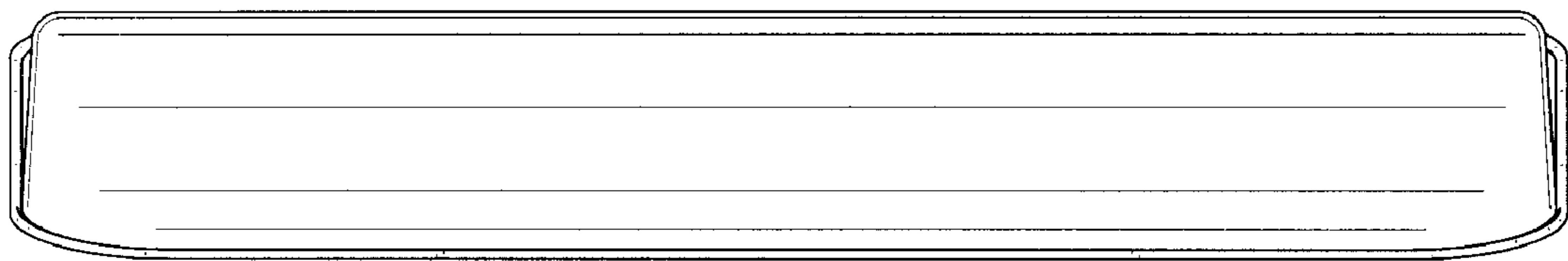


FIG. 3

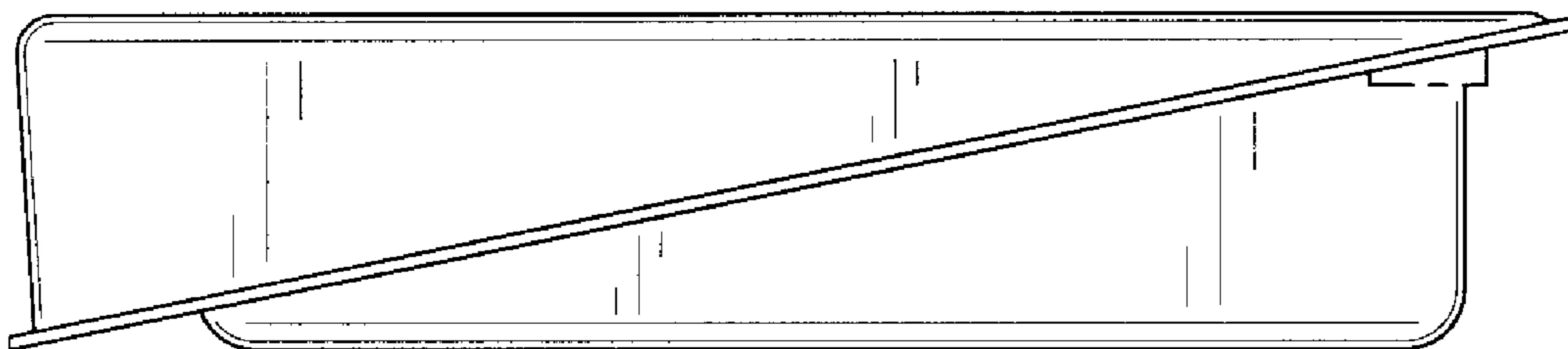


FIG. 4

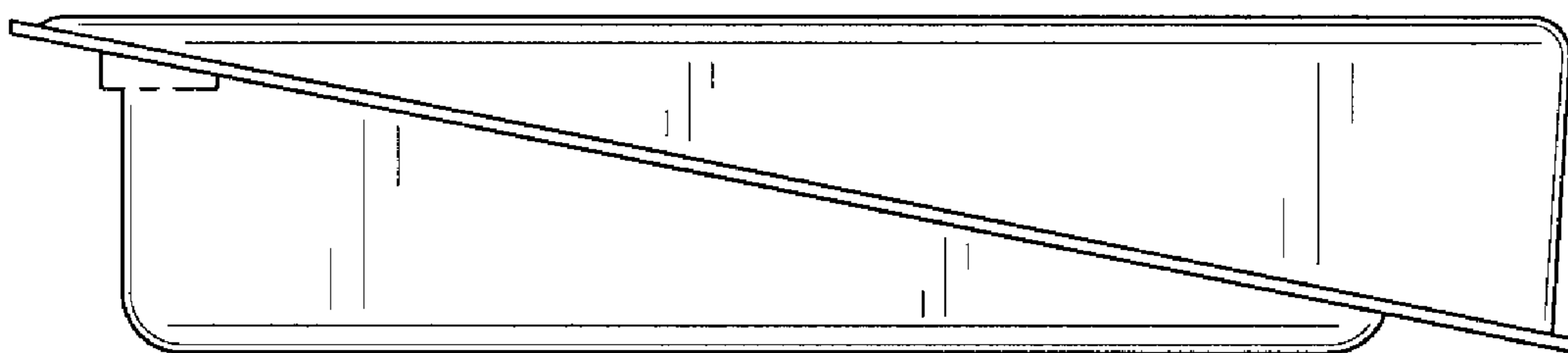


FIG. 5

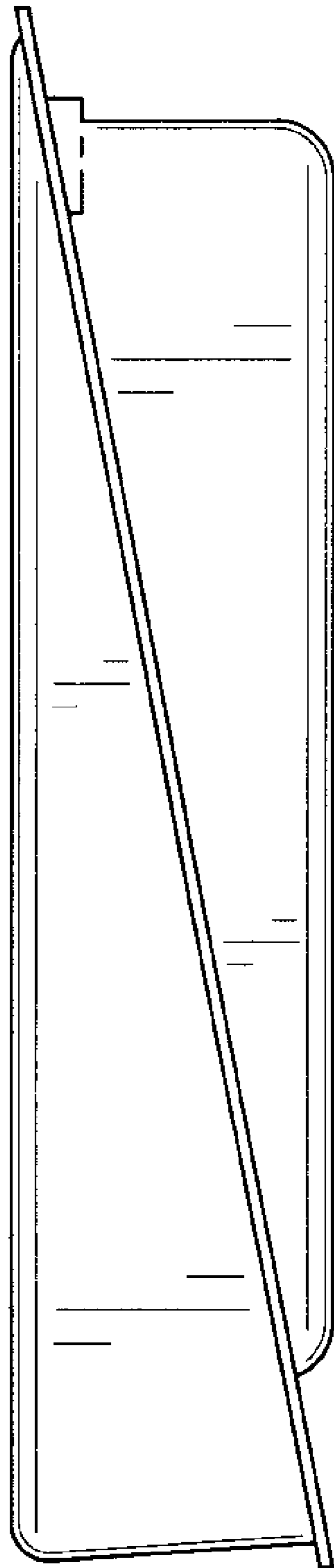


FIG. 6

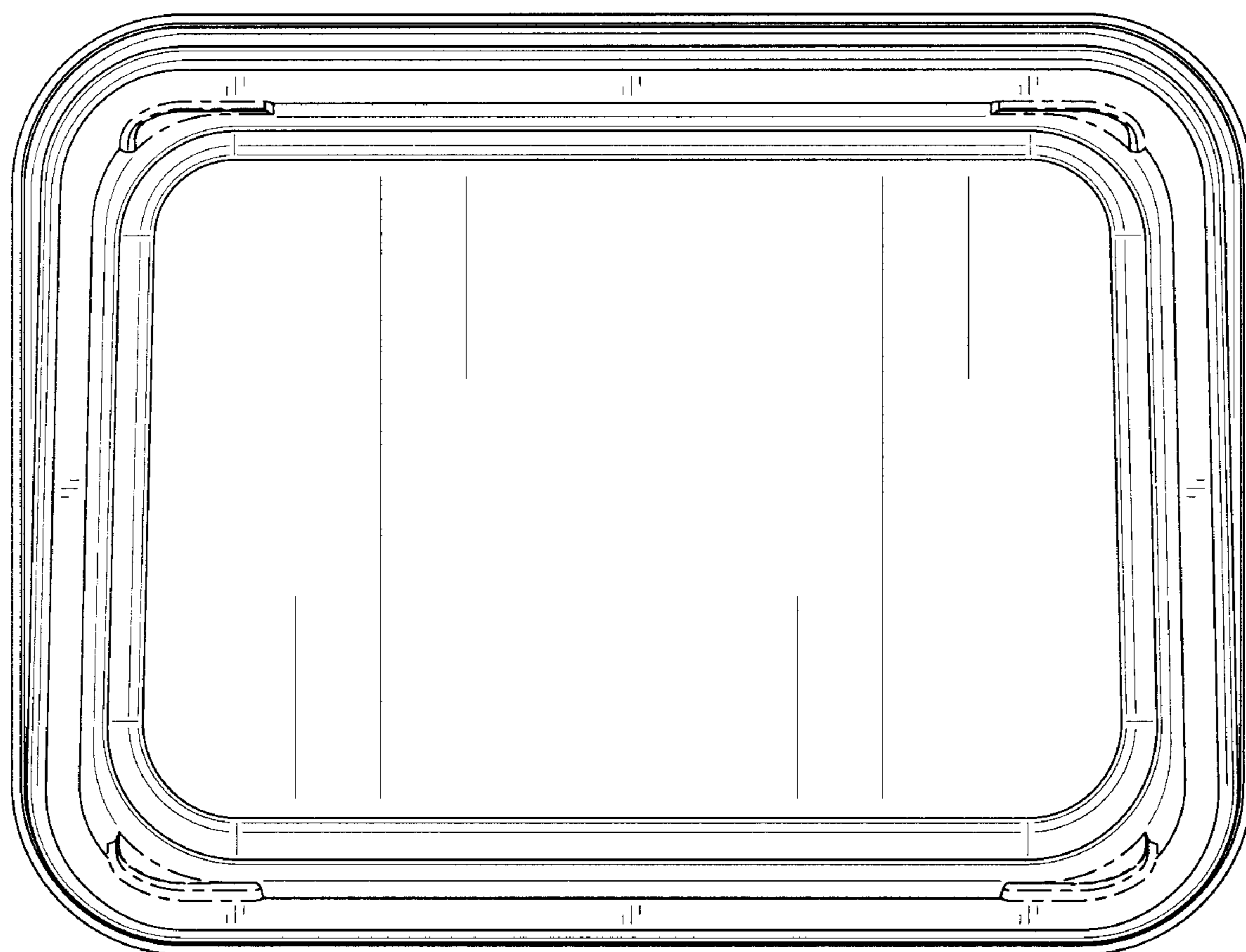


FIG. 7

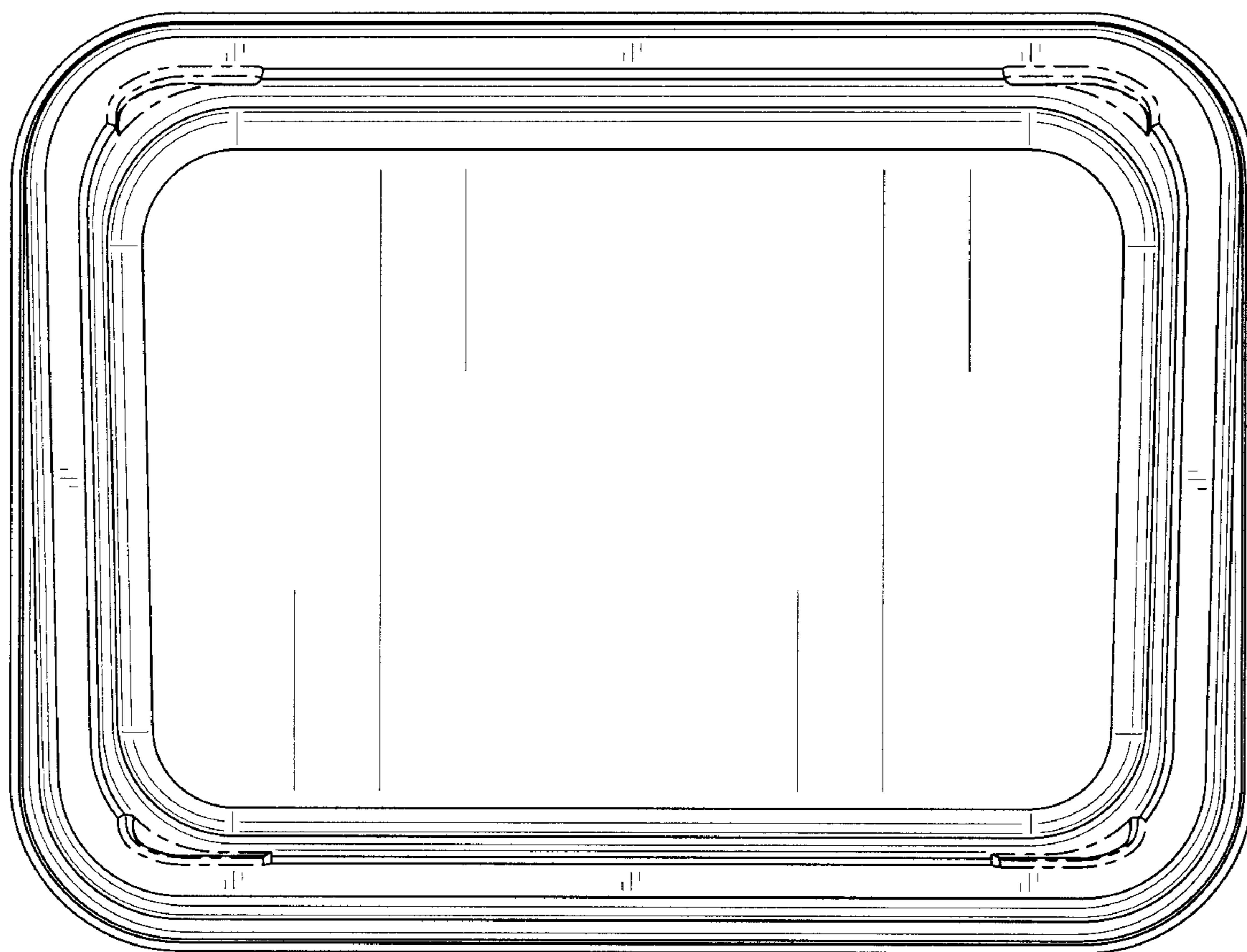


FIG. 8

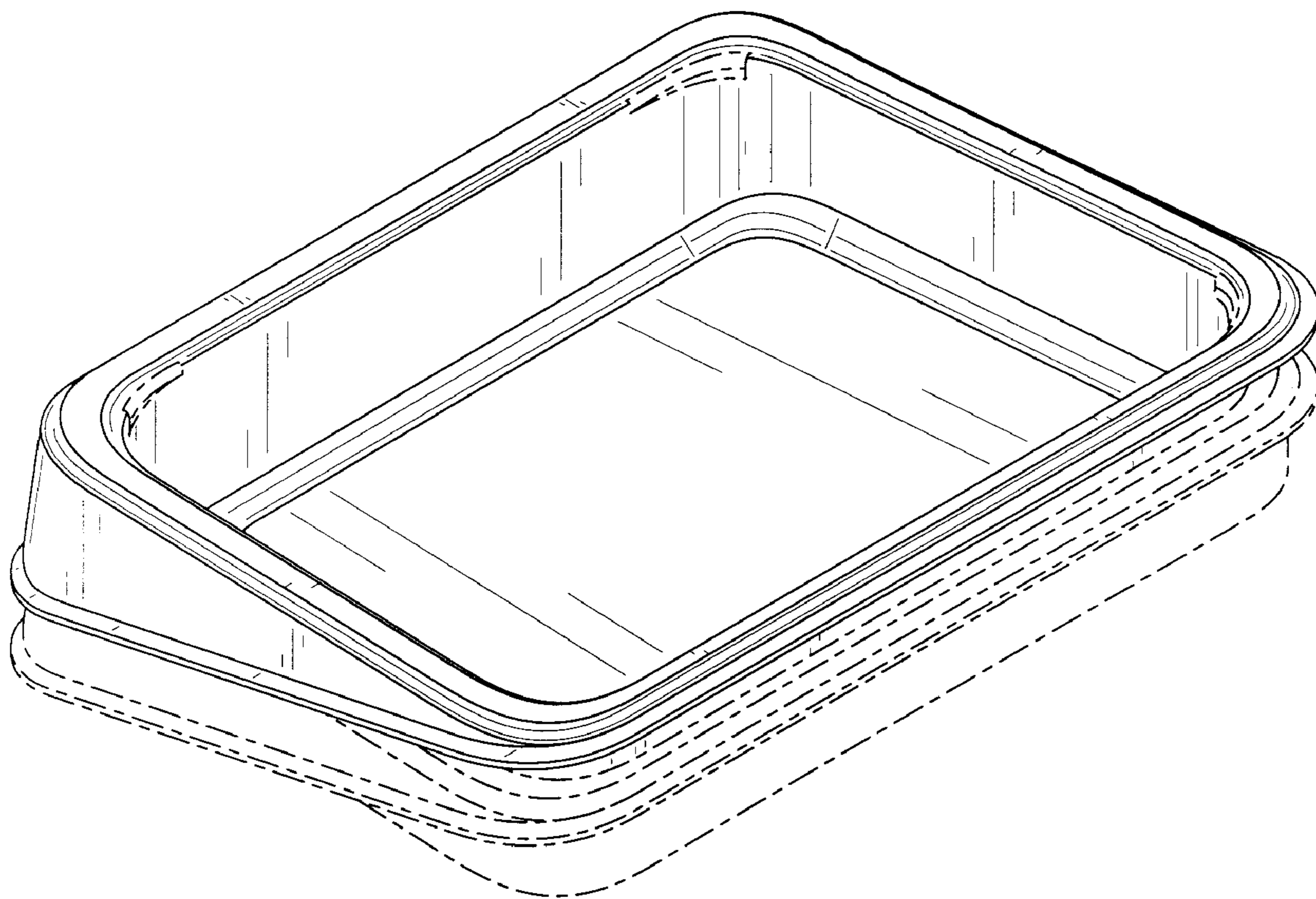


FIG. 9