



US00D602351S

(12) **United States Design Patent**  
**Toinet et al.**

(10) **Patent No.:** **US D602,351 S**  
(45) **Date of Patent:** **\*\* Oct. 20, 2009**

(54) **PACKAGE**  
(75) Inventors: **Jean-Michel Toinet**, Lonay (CH); **Ralf Basler**, Lutry (CH)  
(73) Assignee: **Philip Morris USA Inc.**, Richmond, VA (US)  
(\*\*) Term: **14 Years**  
(21) Appl. No.: **29/270,838**  
(22) Filed: **Jan. 5, 2007**  
(30) **Foreign Application Priority Data**  
Jul. 7, 2006 (EM) ..... 000557590-0001

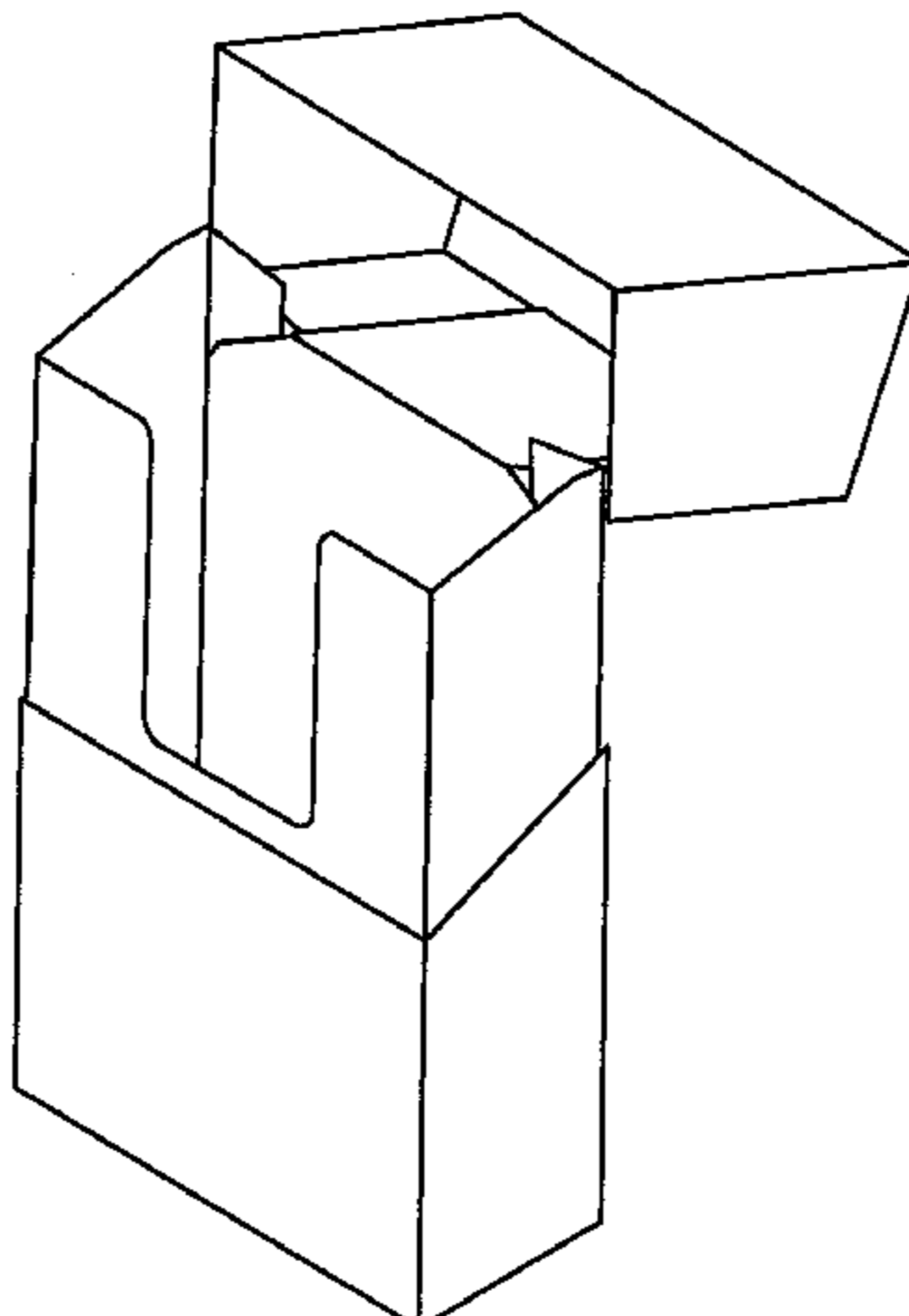
5,515,996 A 5/1996 Stone  
5,518,172 A 5/1996 Nanno  
5,673,849 A 10/1997 Stone  
5,725,144 A 3/1998 Stone et al.  
5,875,963 A 3/1999 Stone et al.  
5,911,359 A 6/1999 Stone et al.  
6,016,916 A 1/2000 Ortner  
D462,139 S \* 8/2002 Sagmeister et al. .... D27/189  
6,474,469 B1 \* 11/2002 Luton et al. .... 206/268  
6,478,149 B1 \* 11/2002 Parker ..... 206/273  
6,957,765 B2 10/2005 Howell et al.  
7,175,022 B2 \* 2/2007 Ito ..... 206/268  
D579,325 S \* 10/2008 Bray et al. .... D9/423  
D582,264 S \* 12/2008 Snyder ..... D9/423  
2006/0021883 A1 \* 2/2006 Focke et al. .... 206/273  
2006/0157357 A1 \* 7/2006 Serafini et al. .... 206/268  
2008/0121538 A1 \* 5/2008 Buse ..... 206/268  
2008/0230410 A1 \* 9/2008 Steven Jones et al. .... 206/268

(51) **LOC (9) Cl.** ..... **09-03**  
(52) **U.S. Cl.** ..... **D9/423**  
(58) **Field of Classification Search** ..... D9/420,  
D9/423, 432, 433, 607; 206/242, 245, 265,  
206/266, 268, 271, 273; 229/101, 125.21,  
229/125.37, 145, 212, 225, 160.1; D27/186,  
D27/189  
See application file for complete search history.

**FOREIGN PATENT DOCUMENTS**

(56) **References Cited**  
**U.S. PATENT DOCUMENTS**  
333,532 A 1/1886 Marshall  
1,743,502 A 1/1930 Tanner  
2,365,739 A 12/1944 Williams  
2,617,578 A 11/1952 Fischer  
2,874,524 A \* 2/1959 Ringler ..... 53/449  
2,928,581 A 3/1960 Graybill  
3,027,002 A 3/1962 Letourneur  
3,065,849 A 11/1962 Rice et al.  
3,117,709 A 1/1964 Fuchs  
3,391,780 A 7/1968 Pasquine et al.  
4,196,842 A \* 4/1980 Focke et al. .... 229/146  
4,267,958 A \* 5/1981 Focke et al. .... 229/146  
4,997,082 A \* 3/1991 Durocher ..... 206/204  
5,067,615 A 11/1991 Davitian  
5,158,664 A \* 10/1992 Colgan et al. .... 206/242  
5,314,114 A 5/1994 Stone  
5,330,056 A 7/1994 de la Rocha

DE 42 35 441 A1 4/1993  
DE 196 43 411 4/1998  
DE 198 58 786 6/2000  
DE 100 31 319 A1 1/2002  
DE 102 18 558 11/2003  
EP 0 679 581 11/1995  
EP 0 778 212 A1 6/1997  
EP 0 837 012 4/1998  
EP 0 782 534 B1 7/1998  
EP 1 098 825 5/2001  
EP 0 775 636 B1 8/2001  
EP 1 140 661 B1 10/2001  
EP 1 174 364 1/2002  
EP 1 313 653 B1 5/2003  
EP 54 234 11/2003  
EP 1 103 369 A2 8/2004  
EP 1 497 202 B1 1/2005  
EP 338 397 6/2005  
EP 1 086 029 B1 4/2006  
GB 819 206 9/1959  
GB 2229996 10/1990  
JP 1108601 3/2001  
KR 30-2001-0029637 1/2002  
KR 20-2005-0018646 9/2005  
RU 54815 7/2004  
RU 57866 10/2005  
WO WO 79/00034 1/1979  
WO WO 96/09230 3/1996



WO	WO 98/50288	11/1998
WO	DM 049884	1/1999
WO	WO 99/02428	1/1999
WO	WO 00/05151	2/2000
WO	DM 054188	12/2000
WO	DM 054252	12/2000
WO	DM 057418	8/2001
WO	DM 060304	3/2002
WO	WO 00/34150	9/2003
WO	WO 2003/078274	9/2003
WO	WO 2004/089785	10/2004
WO	WO 2005/014435	2/2005

\* cited by examiner

*Primary Examiner*—Daniel D Bui

*Assistant Examiner*—Thomas J Johannes

(74) *Attorney, Agent, or Firm*—Buchanan Ingersoll & Rooney PC

(57) **CLAIM**

The ornamental design for a package, as shown and described.

**DESCRIPTION**

FIG. 1 is a front elevational view of a package showing a first embodiment of our new design in a closed configuration.

FIG. 2 is a side elevation view; the other side being a mirror image thereof.

FIG. 3 is a rear elevational view thereof.

FIG. 4 is a top plan view; the bottom being a mirror image thereof.

FIG. 5 is top, front perspective view thereof in a transitional configuration.

FIG. 6 is a top, front perspective view thereof in an open configuration.

FIG. 7 is a bottom, front perspective view thereof in an open configuration.

FIG. 8 is a front elevational view of a package showing a second embodiment of our new design in a closed configuration.

FIG. 9 is a side elevation view; the other side being a mirror image thereof.

FIG. 10 is a rear elevational view thereof.

FIG. 11 is a top plan view; the bottom being a mirror image thereof.

FIG. 12 is top, front perspective view thereof in a transitional configuration.

FIG. 13 is a top, front perspective view thereof in an open configuration.

FIG. 14 is a bottom, front perspective view thereof in an open configuration.

FIG. 15 is a front elevational view of a package showing a third embodiment of our new design in a closed configuration.

FIG. 16 is a side elevation view; the other side being a mirror image thereof.

FIG. 17 is a rear elevational view thereof.

FIG. 18 is a top plan view; the bottom being a mirror image thereof.

FIG. 19 is top, front perspective view thereof in a transitional configuration.

FIG. 20 is a top, front perspective view thereof in an open configuration.

FIG. 21 is a bottom, front perspective view thereof in an open configuration.

FIG. 22 is a front elevational view of a packaging showing a fourth embodiment of our new design in a closed configuration.

FIG. 23 is a side elevation view; the other side being a mirror image thereof.

FIG. 24 is a rear elevational view thereof.

FIG. 25 is a top plan view; the bottom being a mirror image thereof.

FIG. 26 is top, front perspective view thereof in a transitional configuration.

FIG. 27 is a top, front perspective view thereof in an open configuration.

FIG. 28 is a bottom, front perspective view thereof in an open configuration.

FIG. 29 is a front elevational view of a packaging showing a fifth embodiment of our new design in a closed configuration.

FIG. 30 is a side elevation view; the other side being a mirror image thereof.

FIG. 31 is a rear elevational view thereof.

FIG. 32 is a top plan view; the bottom being a mirror image thereof.

FIG. 33 is top, front perspective view thereof in a transitional configuration.

FIG. 34 is a top, front perspective view thereof in an open configuration.

FIG. 35 is a bottom, front perspective view thereof in an open configuration.

FIG. 36 is a front elevational view of a packaging showing a sixth embodiment of our new design in a closed configuration.

FIG. 37 is a side elevation view; the other side being a mirror image thereof.

FIG. 38 is a rear elevational view thereof.

FIG. 39 is a top plan view; the bottom being a mirror image thereof.

FIG. 40 is top, front perspective view thereof in a transitional configuration.

FIG. 41 is a top, front perspective view thereof in an open configuration; and,

FIG. 42 is a bottom, front perspective view thereof in an open configuration.

The broken line showing of a portion of the package is for illustrative purposes only and forms no part of the claimed design.

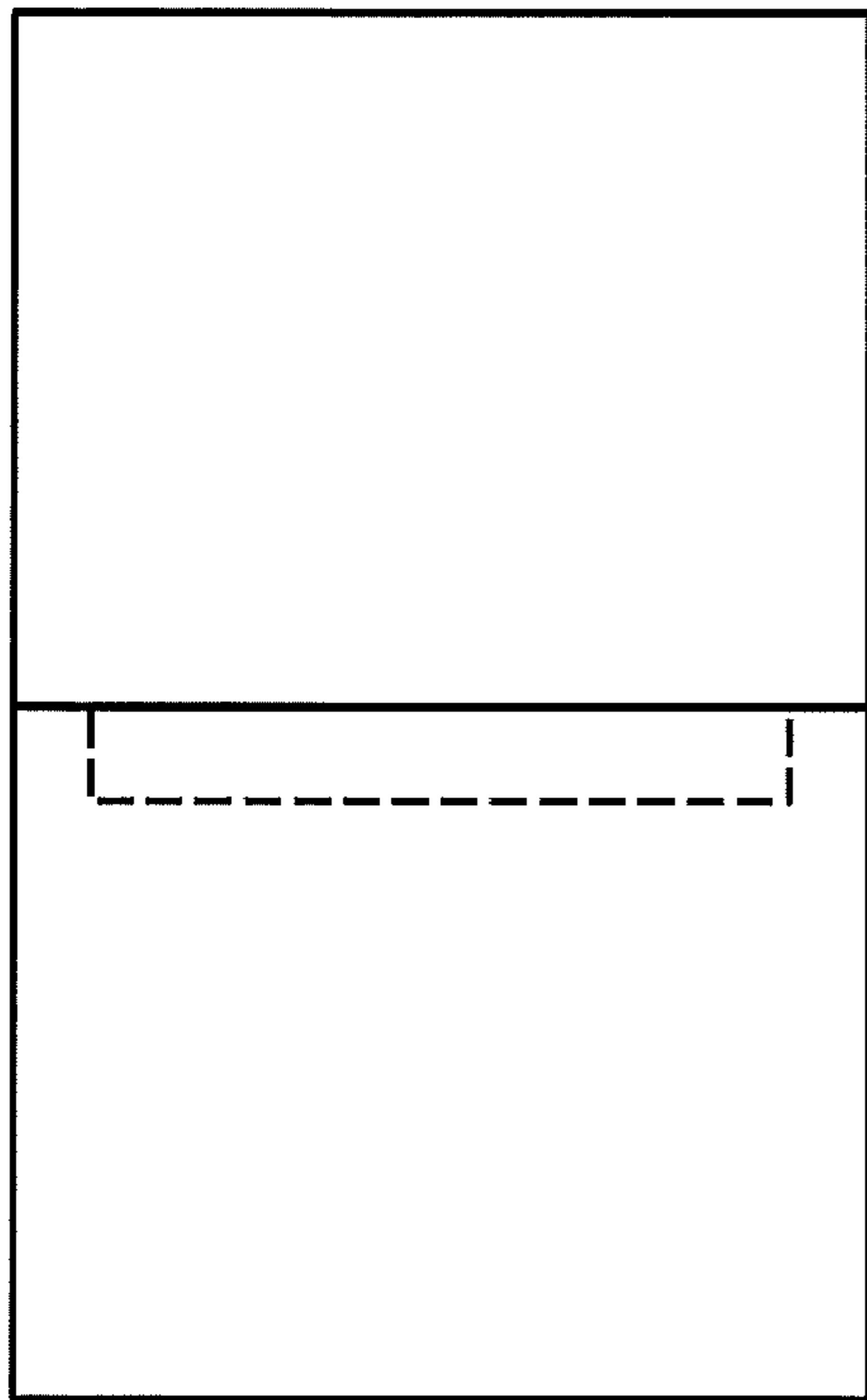


FIG. 1

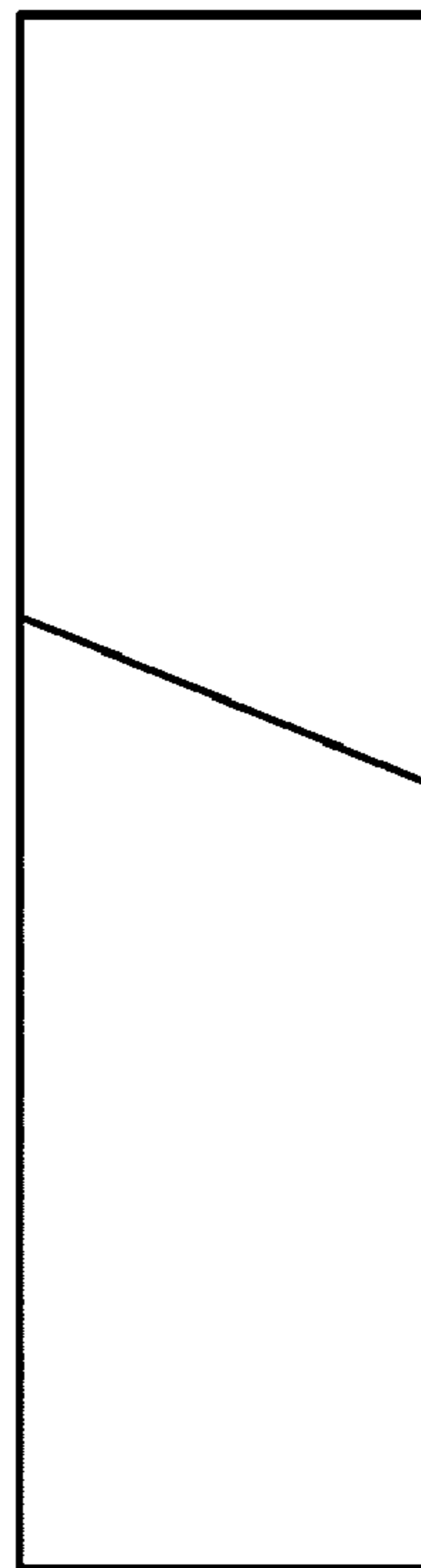


FIG. 2

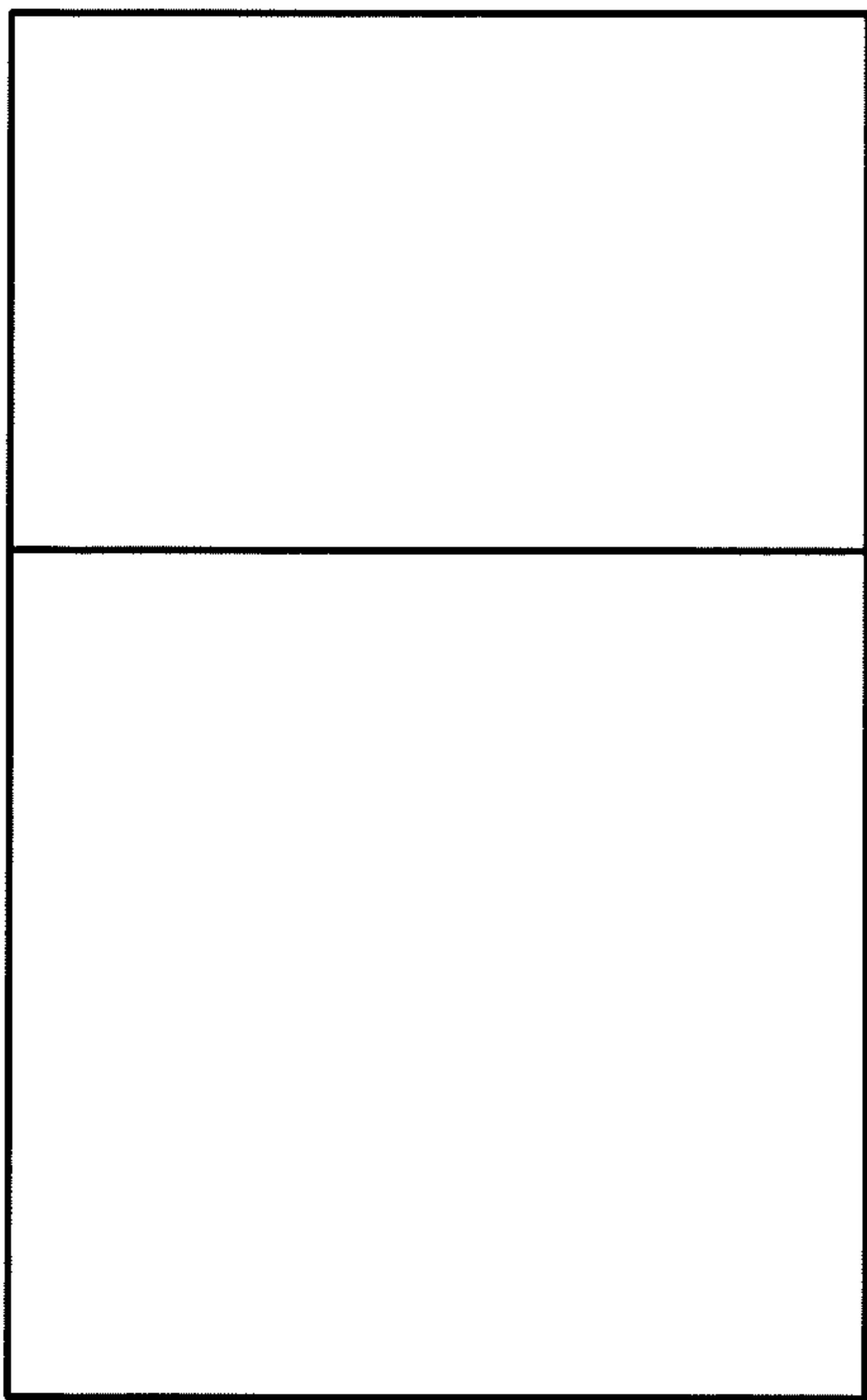


FIG. 3

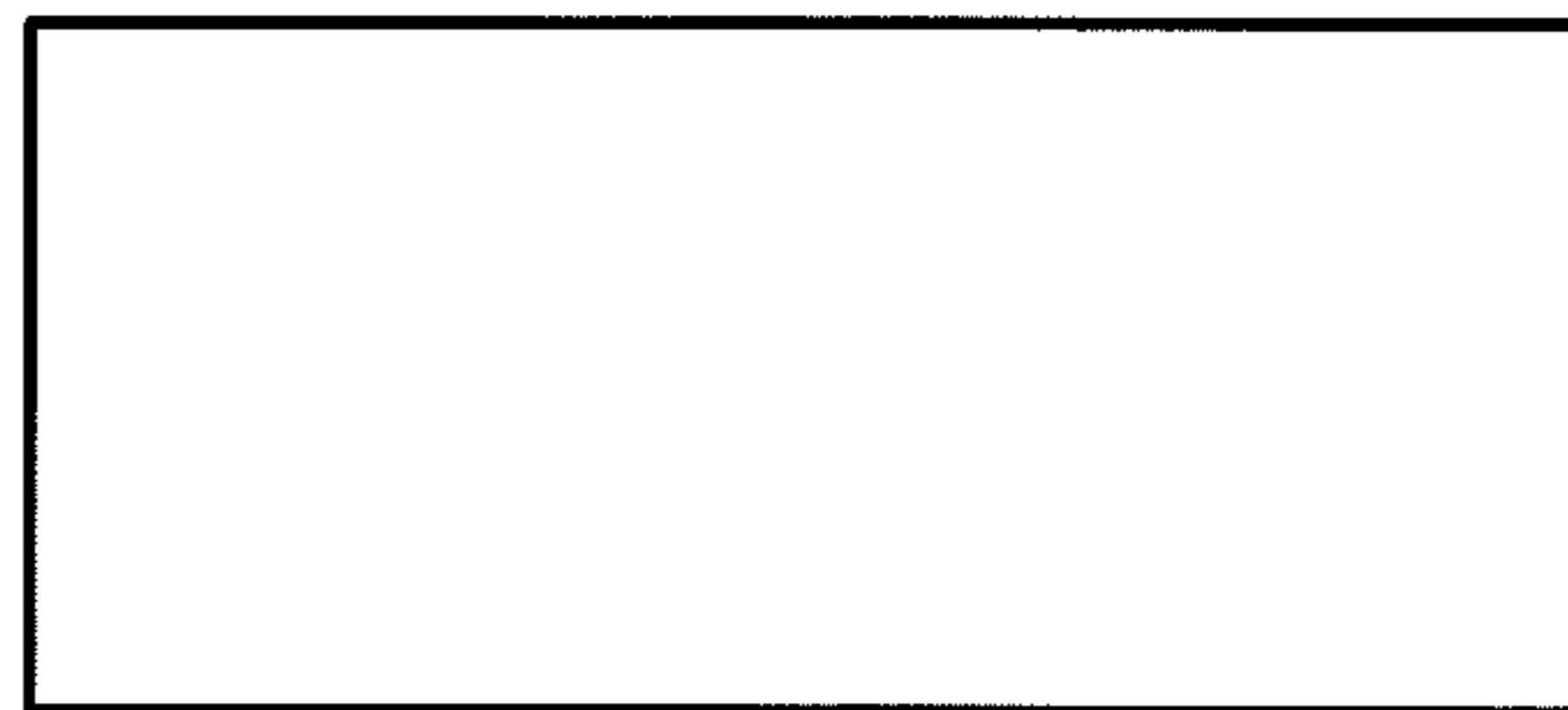


FIG. 4

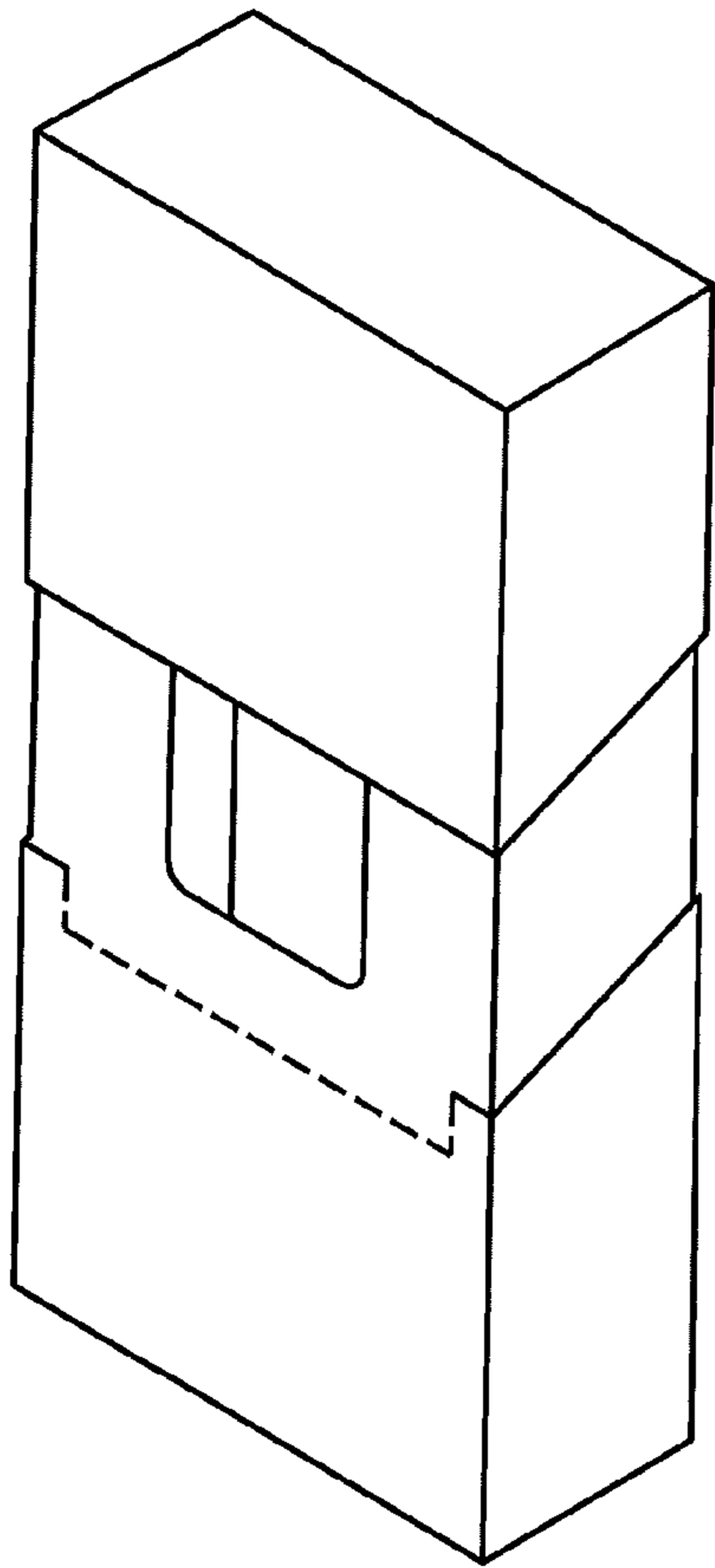


FIG. 5

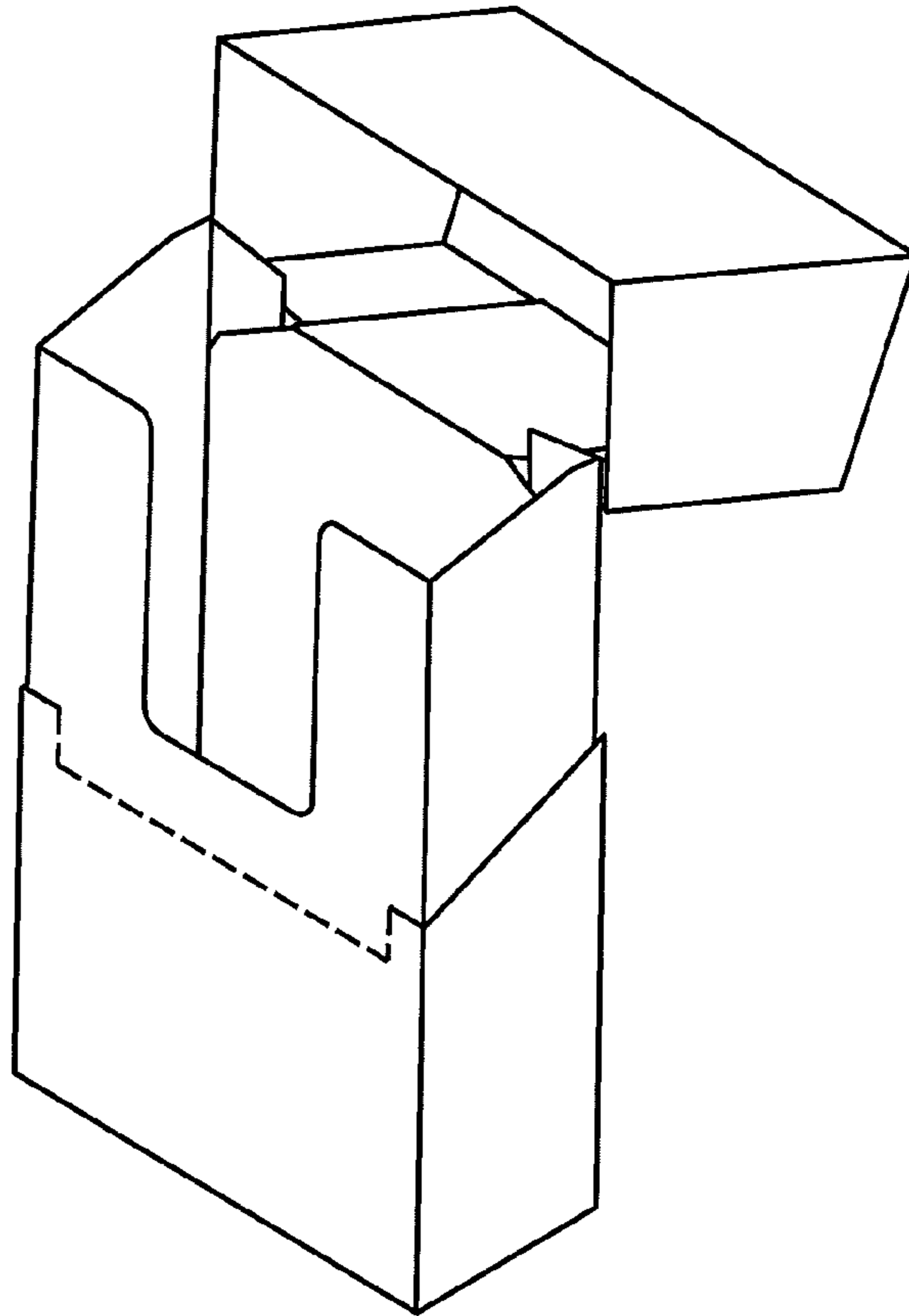


FIG. 6

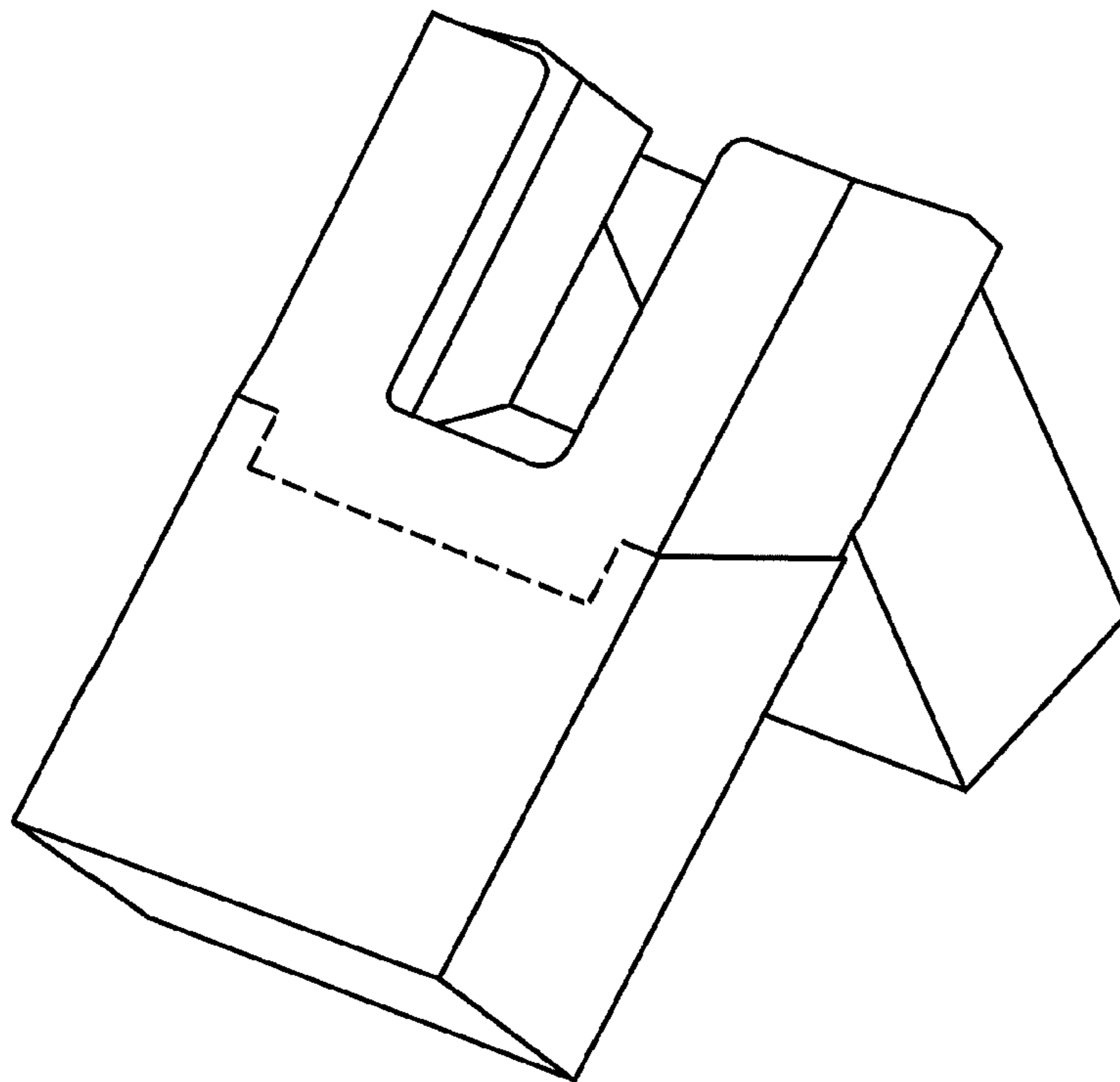


FIG. 7

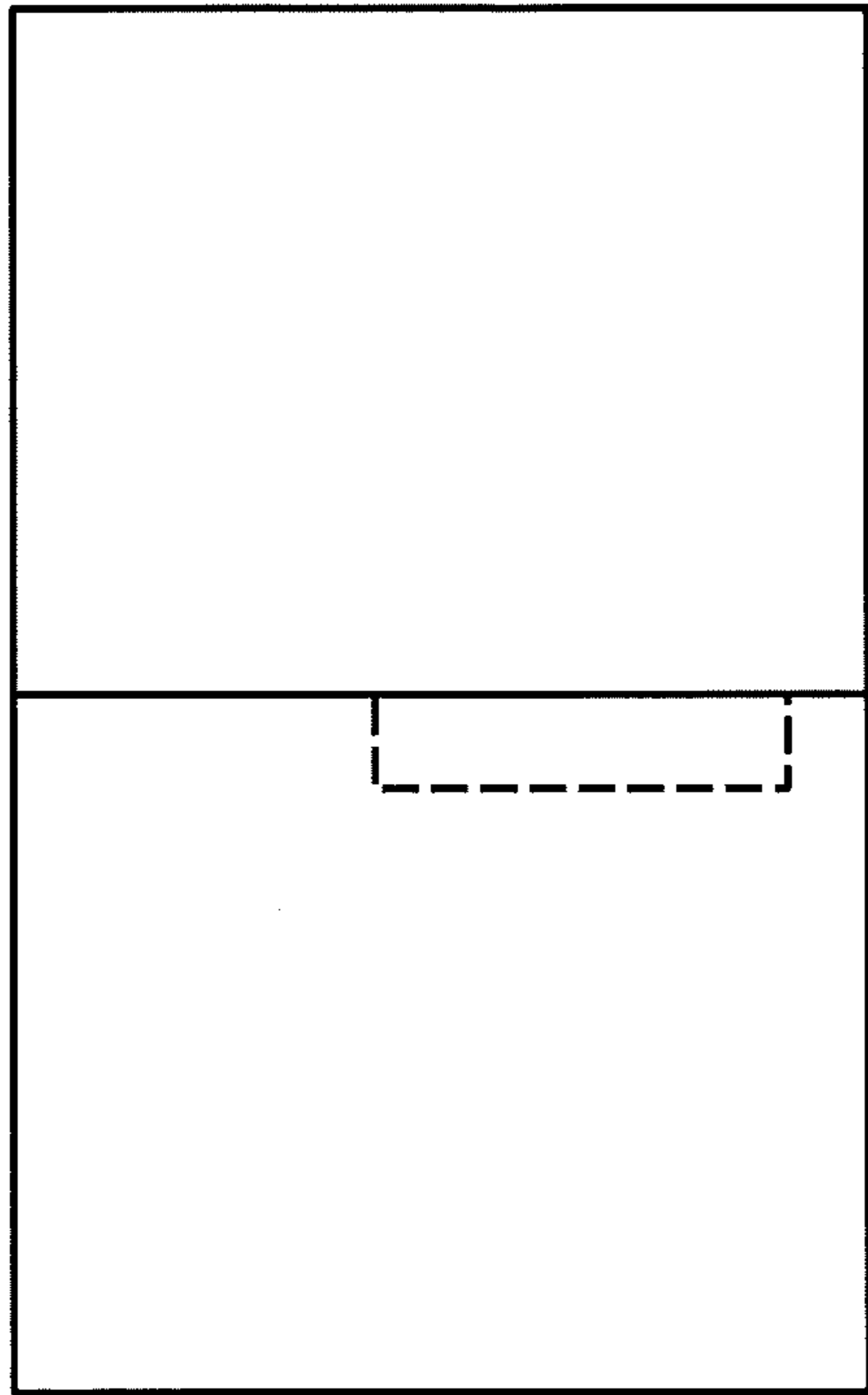


FIG. 8

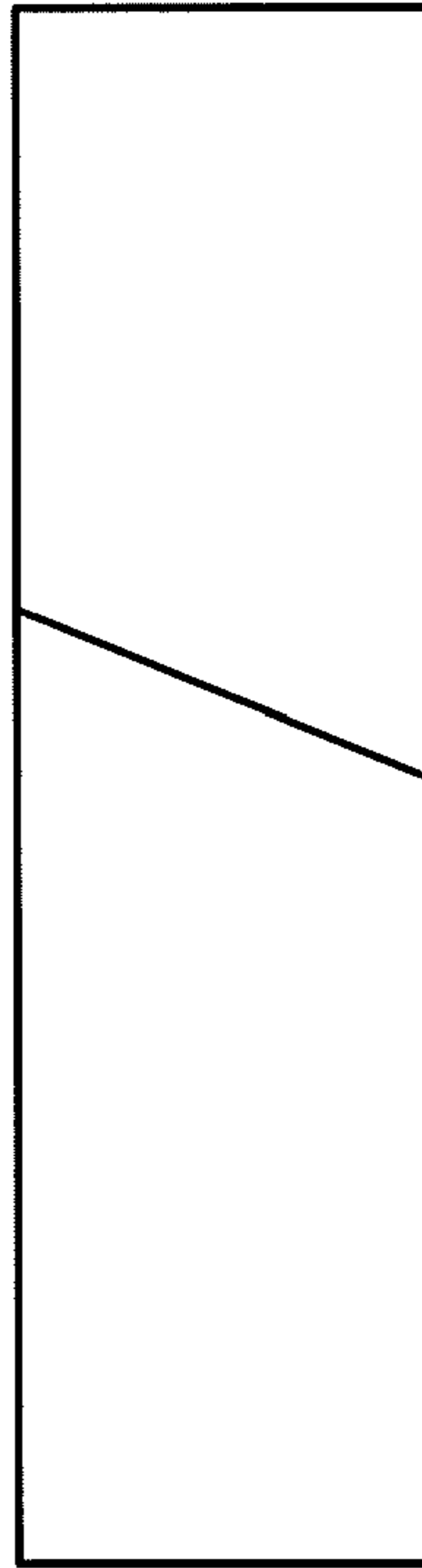


FIG. 9

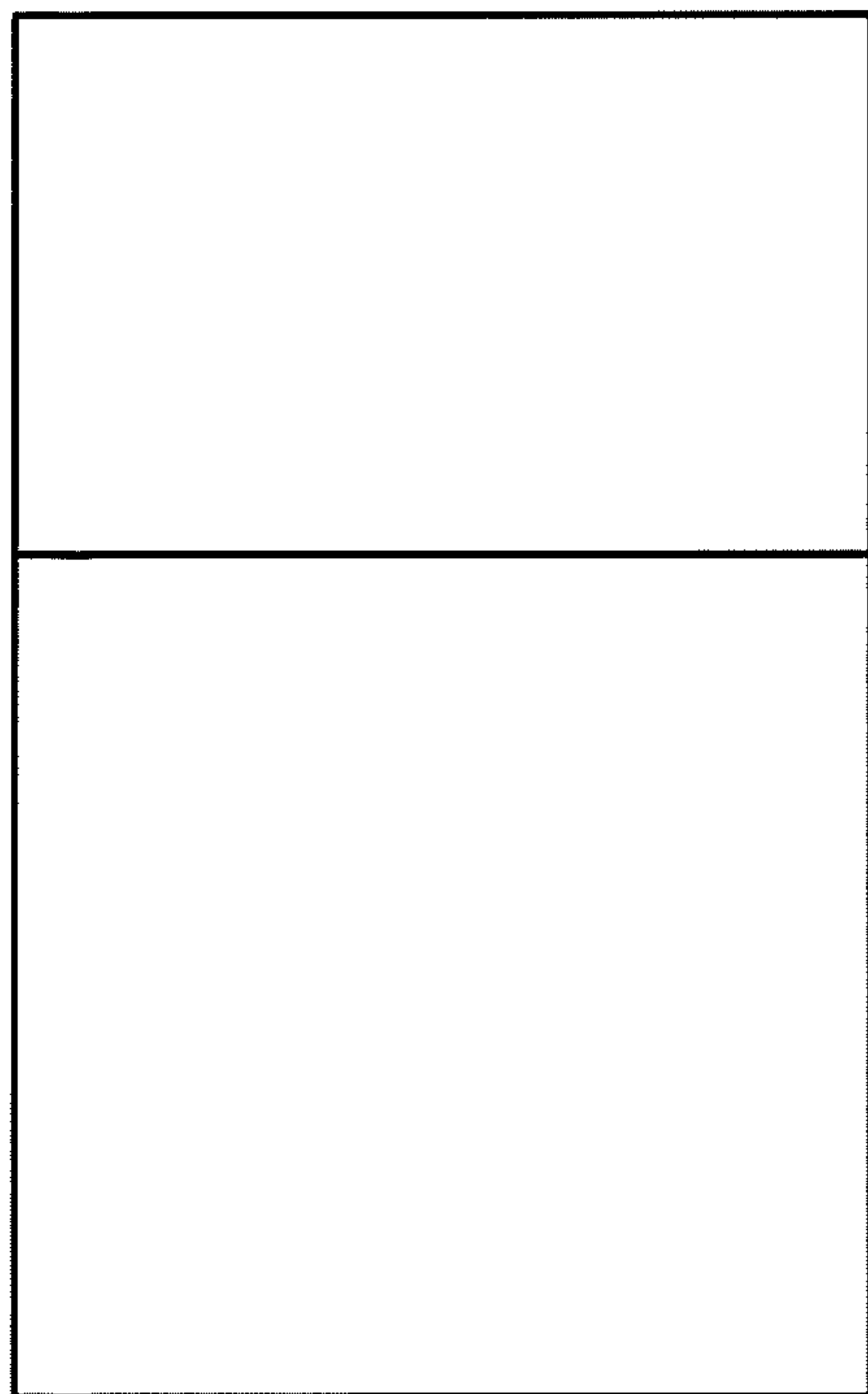


FIG. 10

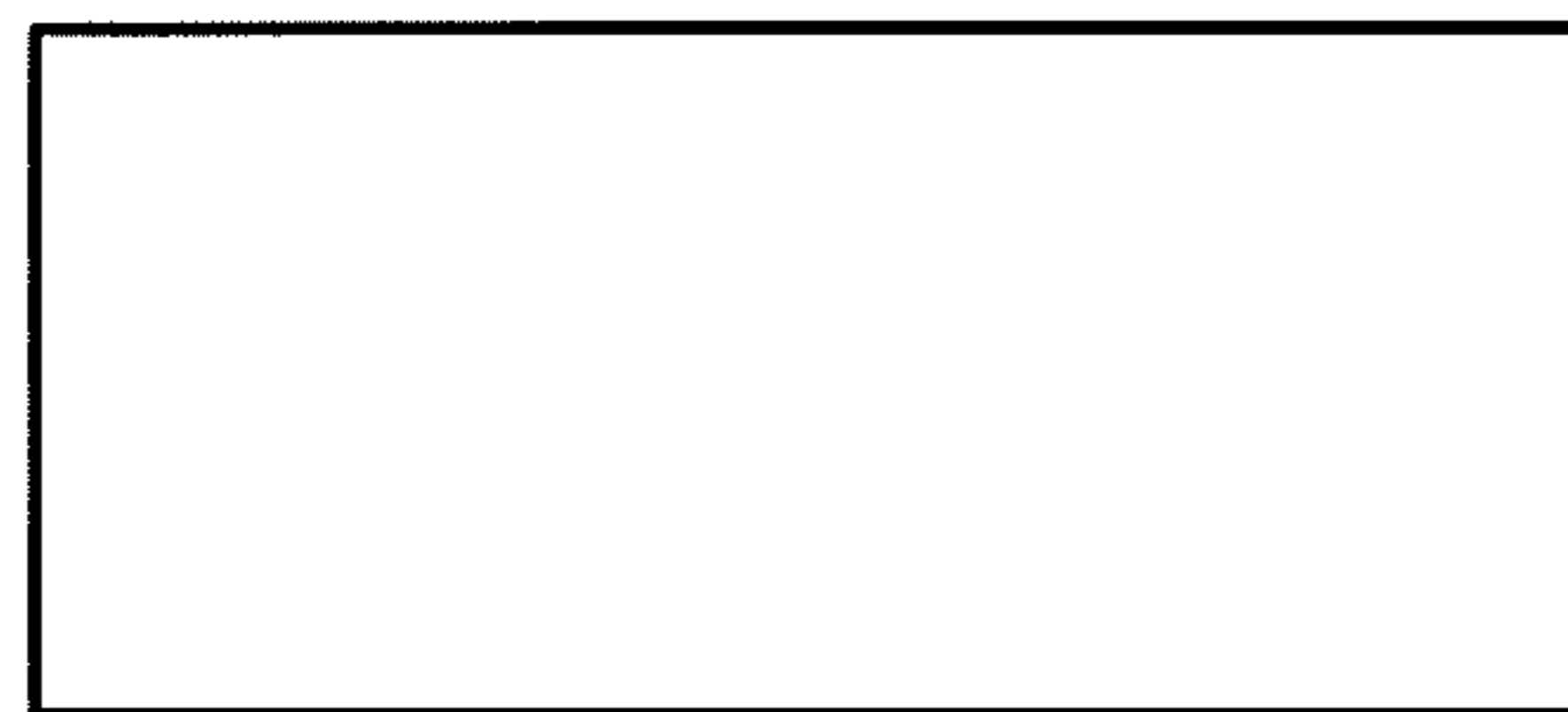


FIG. 11

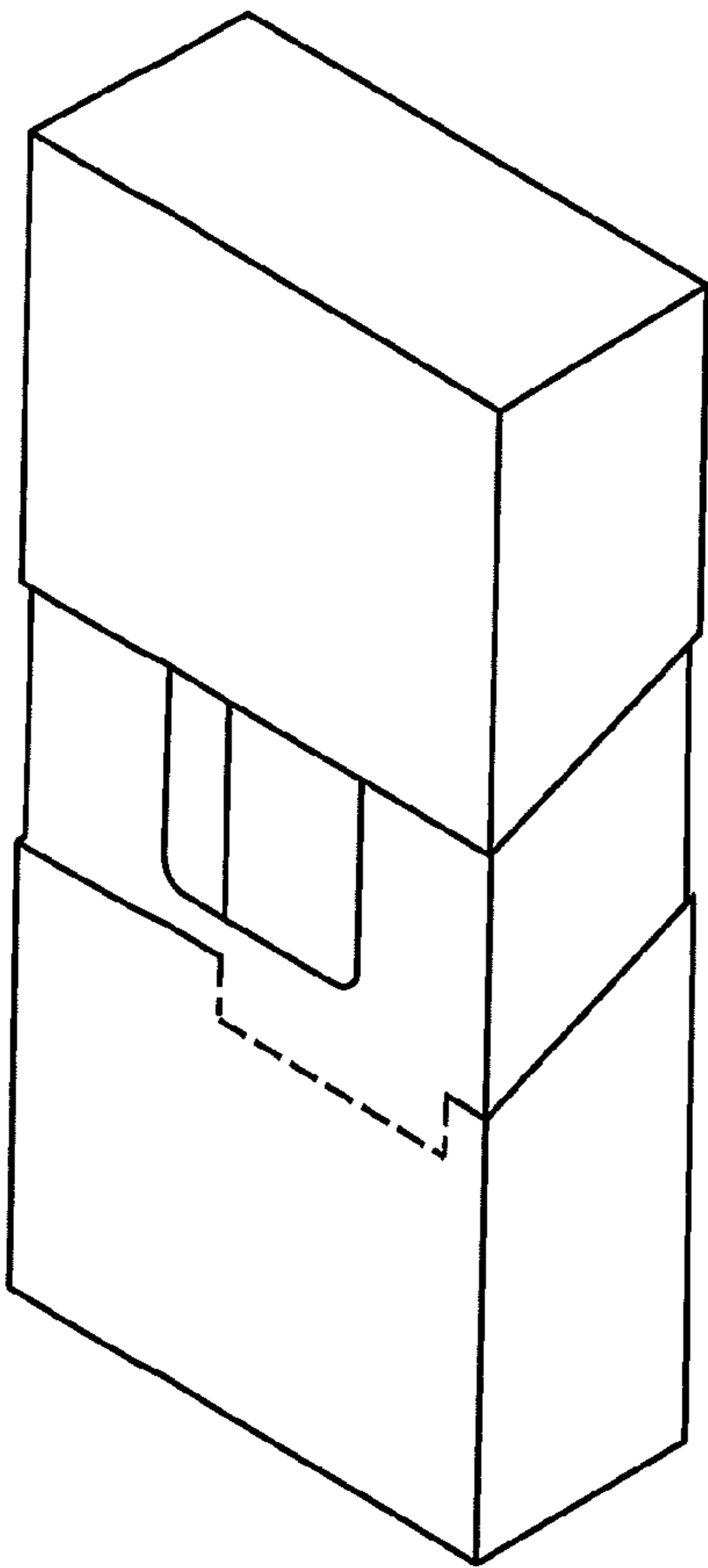


FIG. 12

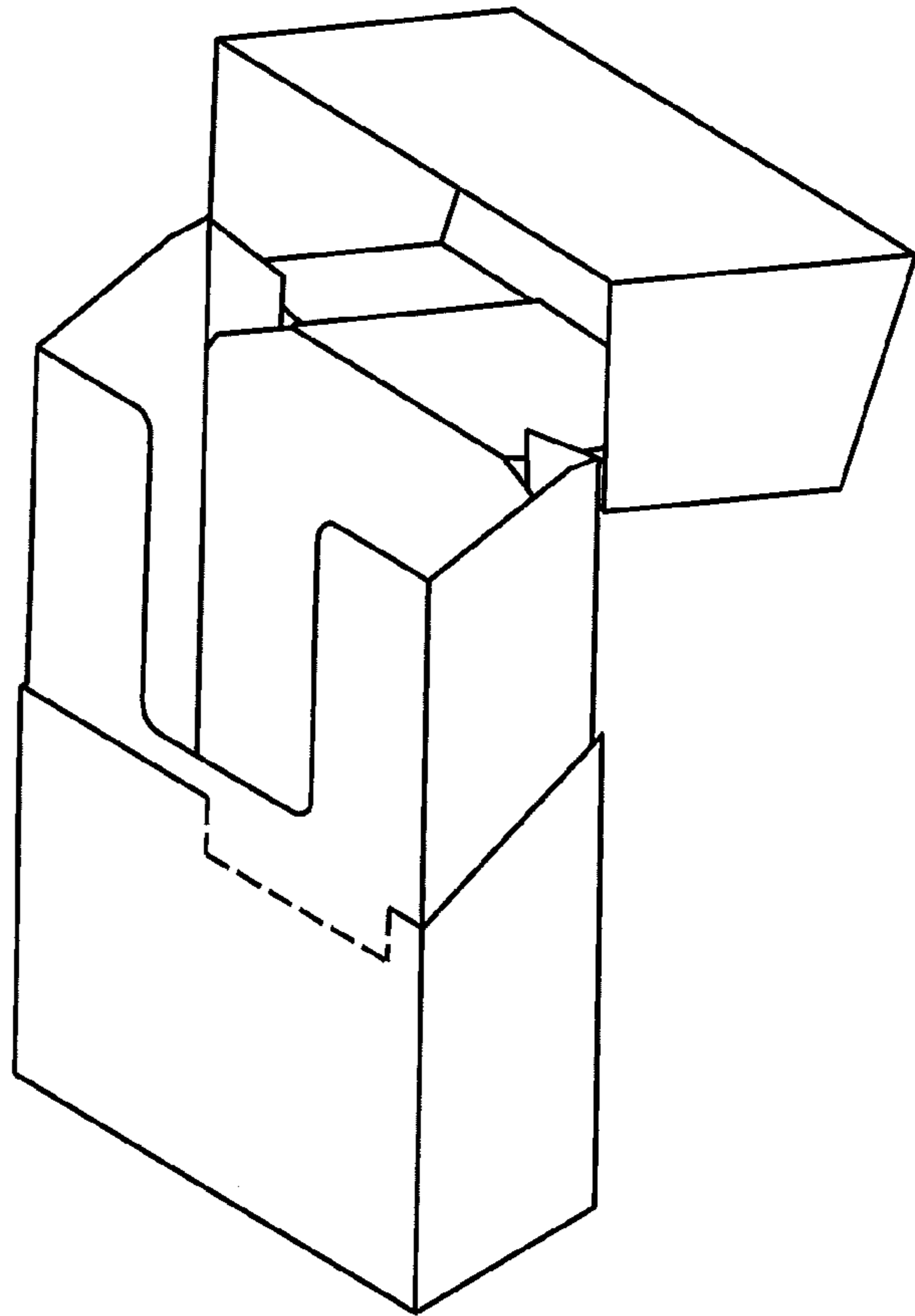


FIG. 13

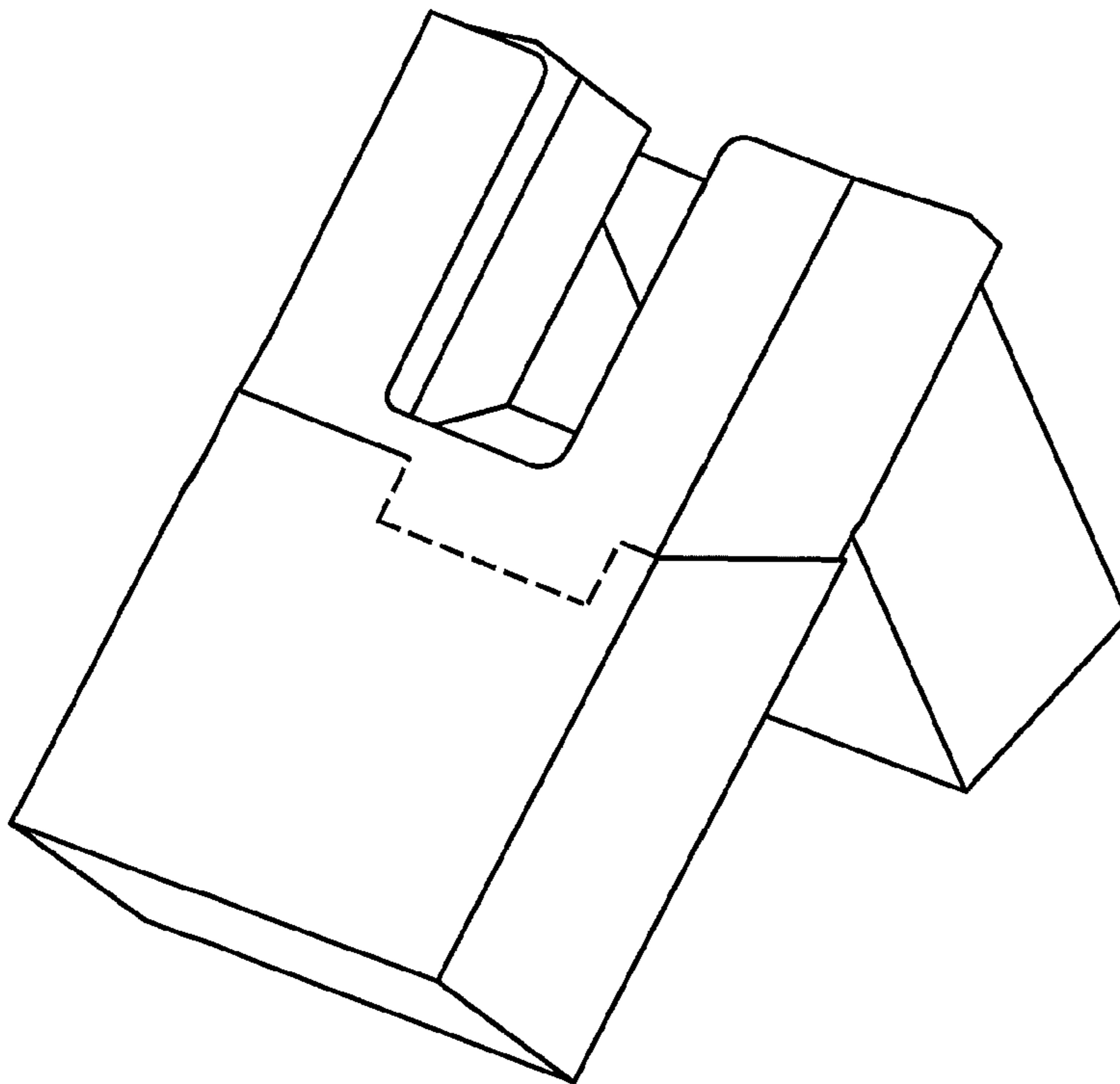


FIG. 14

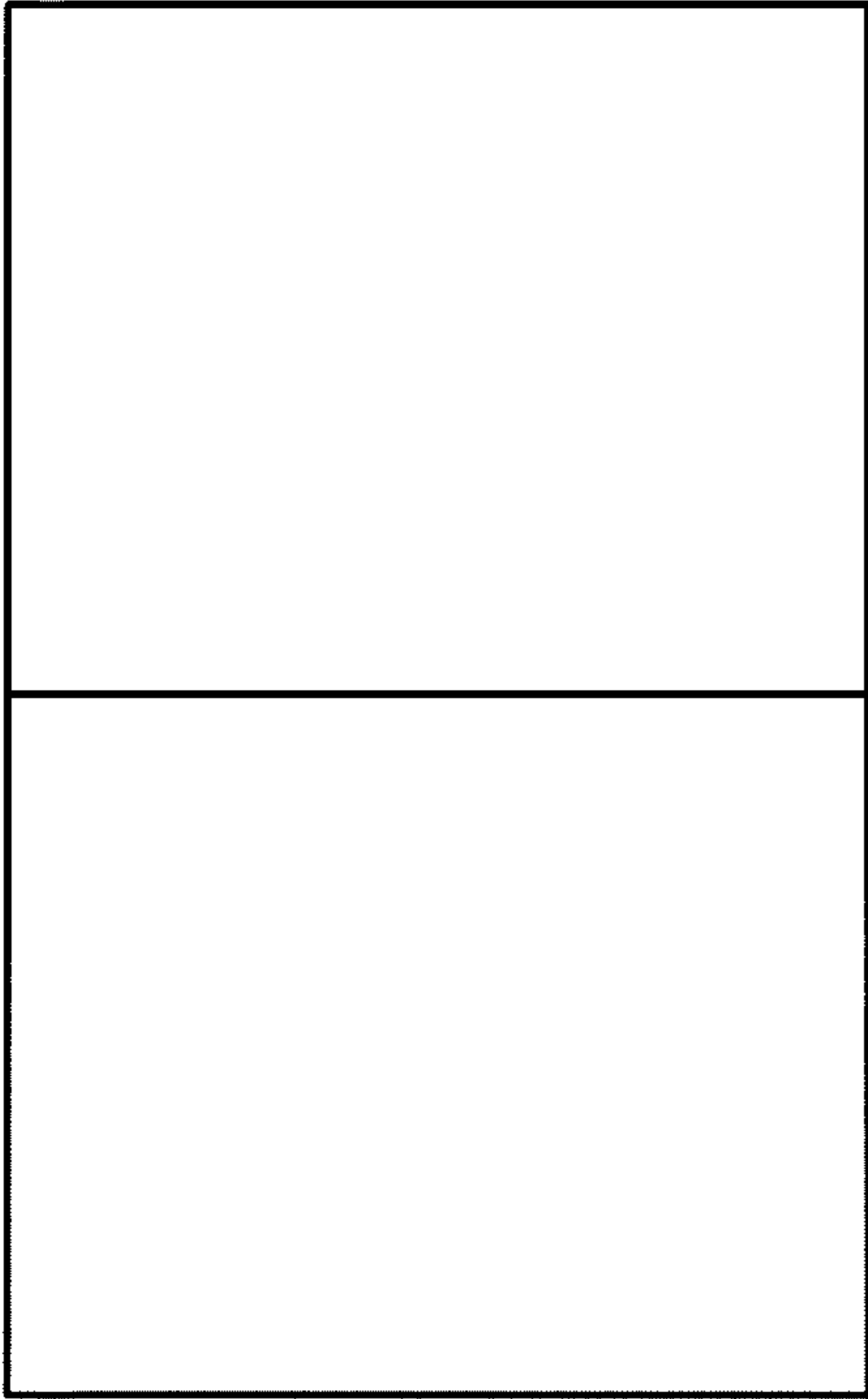


FIG. 15

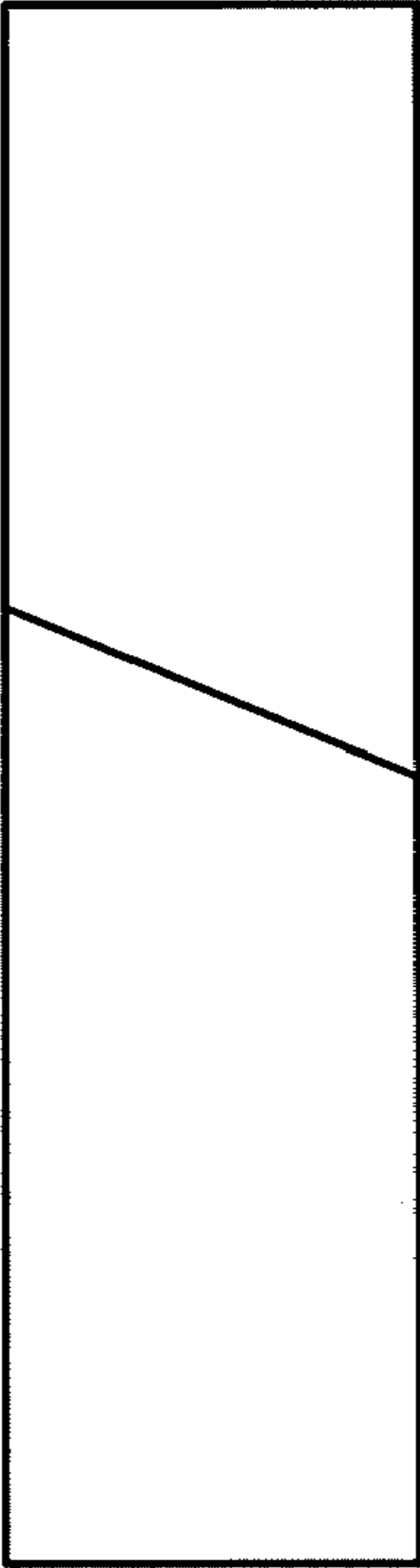


FIG. 16

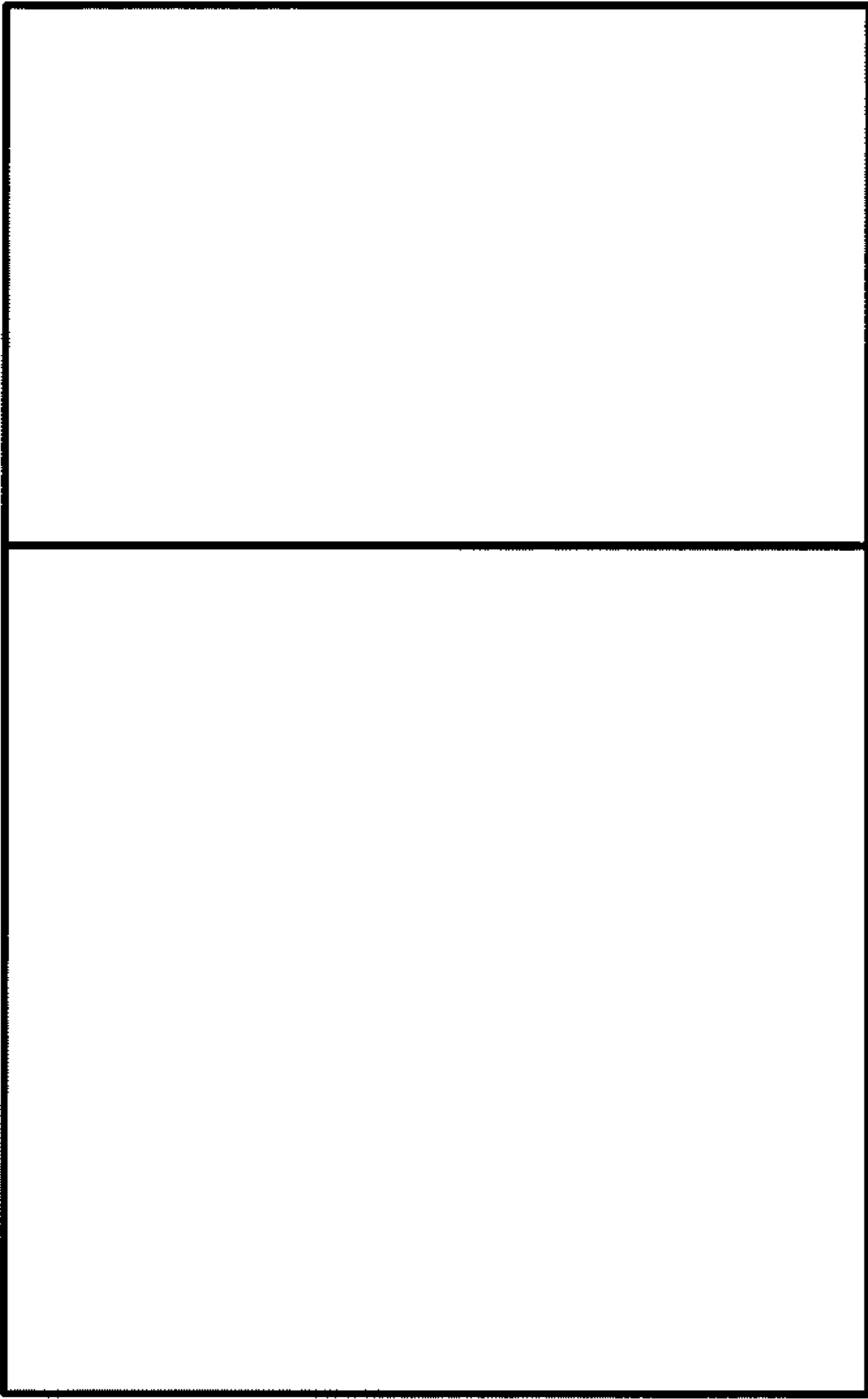


FIG. 17

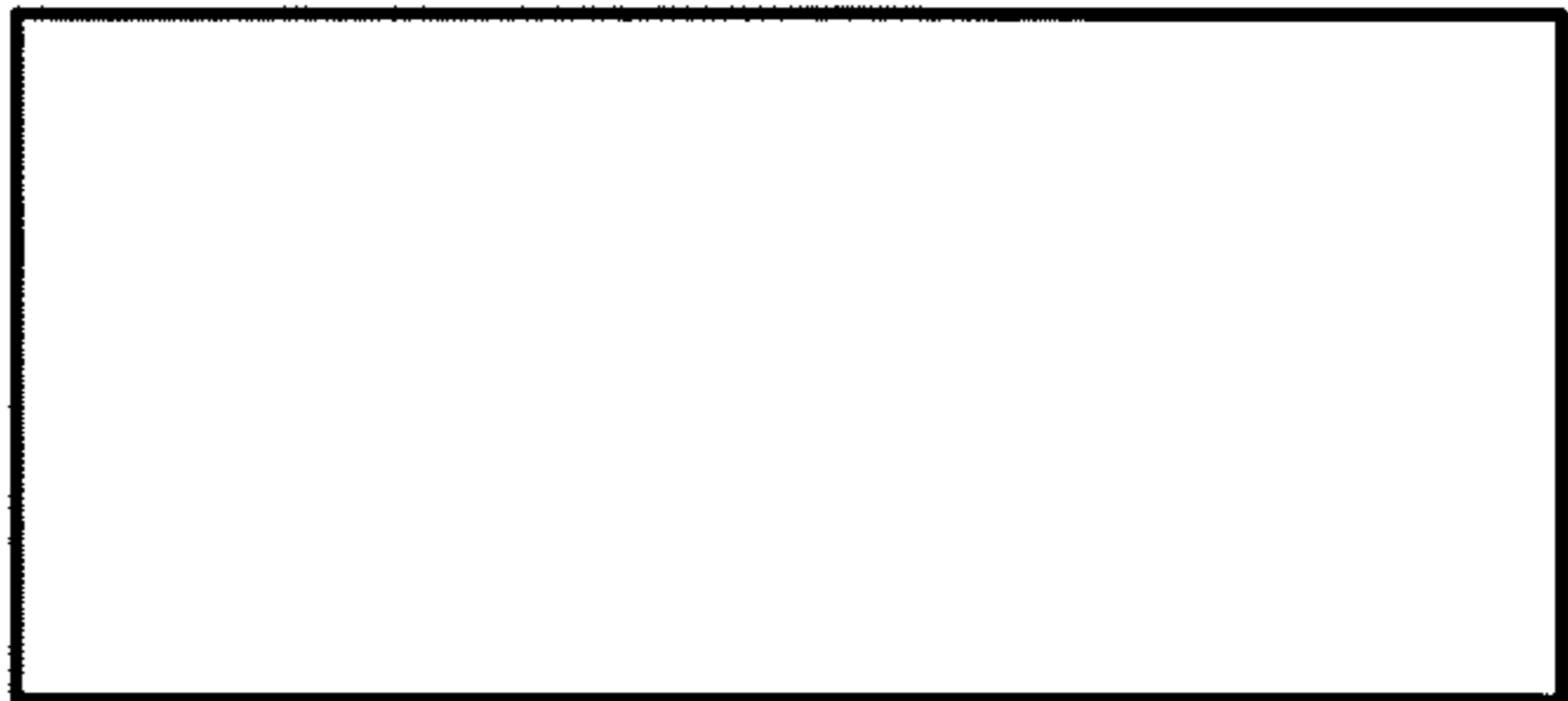


FIG. 18

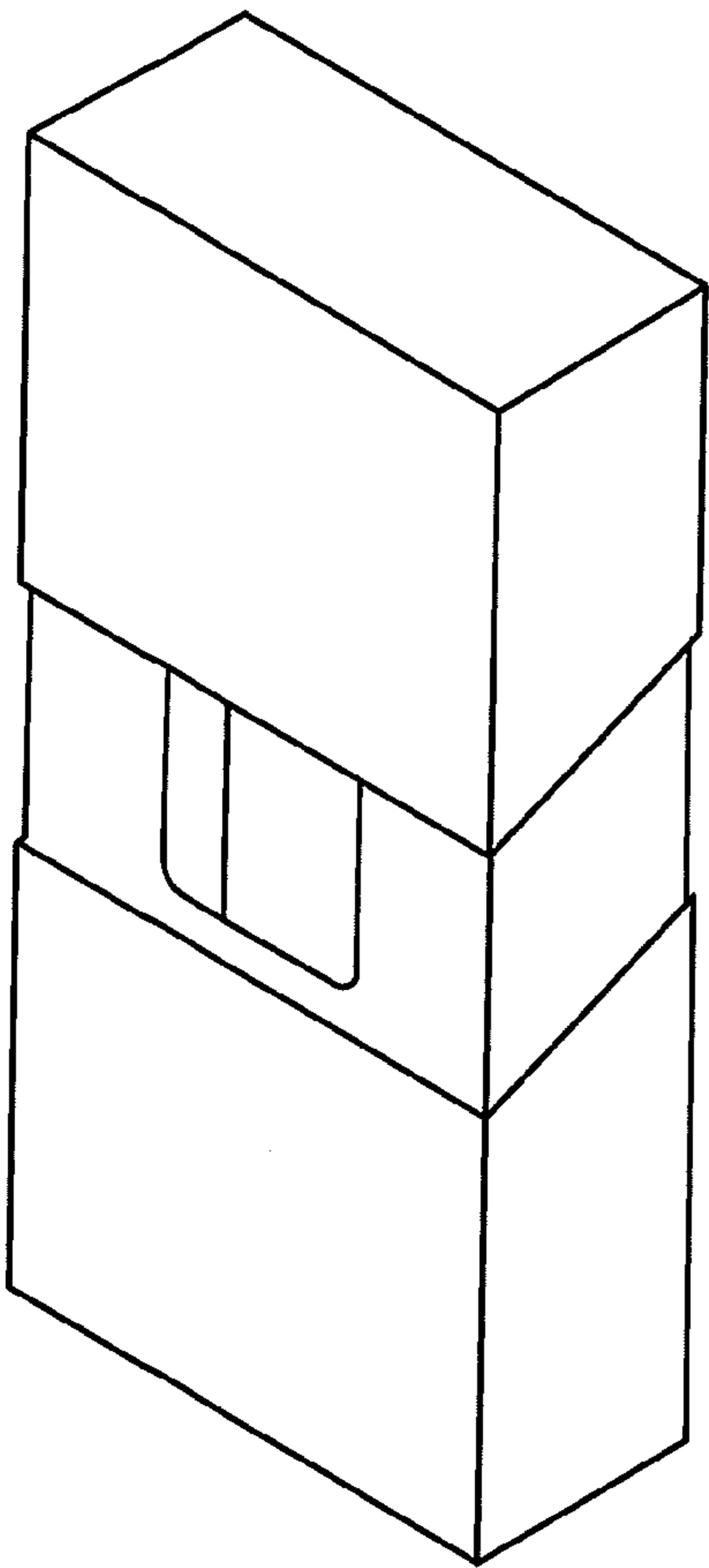


FIG. 19

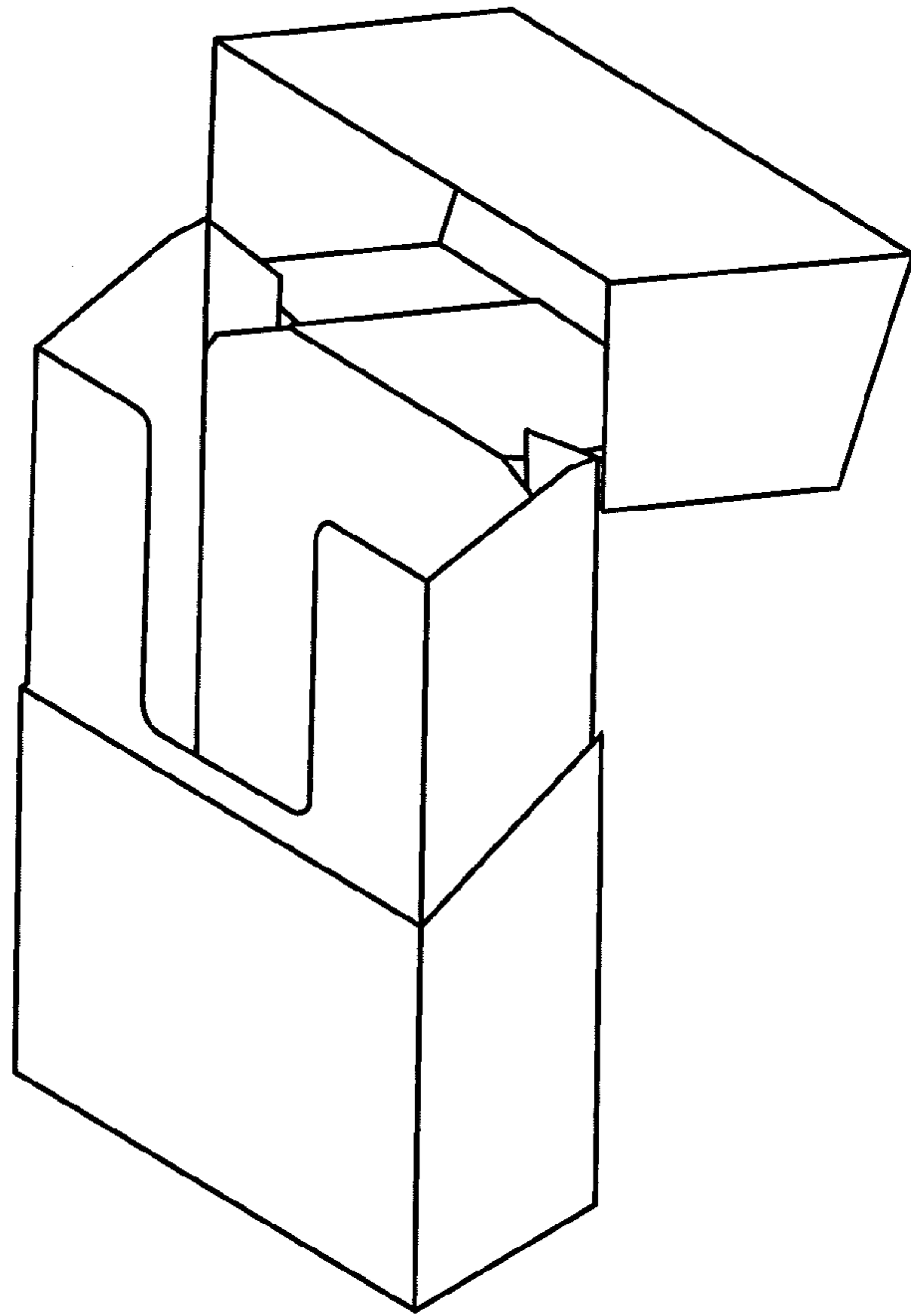


FIG. 20

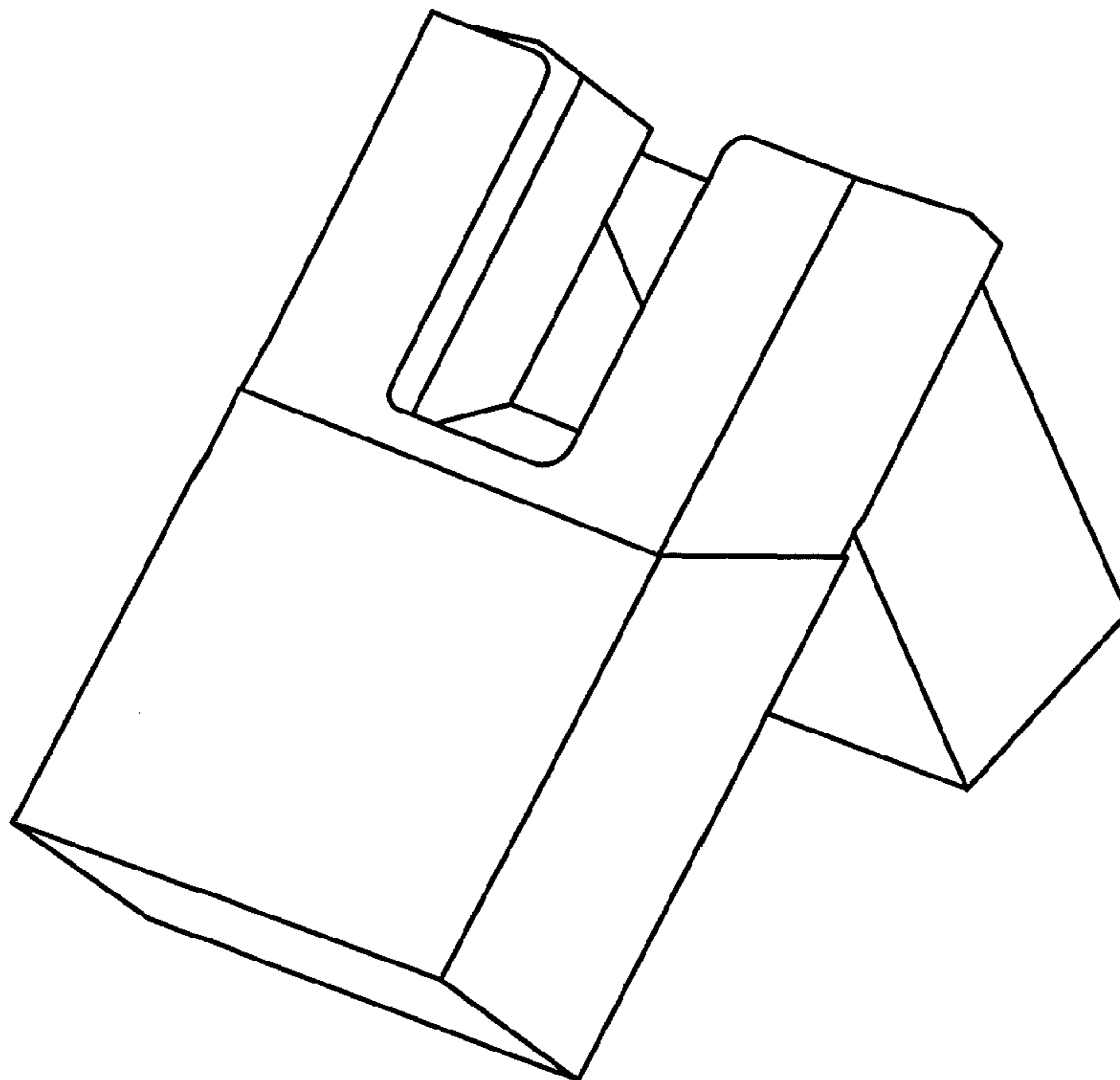


FIG. 21