



US00D602350S

(12) **United States Design Patent**
Lavelle

(10) **Patent No.:** **US D602,350 S**
(45) **Date of Patent:** **** Oct. 20, 2009**

(54) **CORNER PROTECTOR**

(76) **Inventor:** **Richard M. Lavelle**, 2662 Ravenwood Ct., Wexford, PA (US) 15090

(**) **Term:** **14 Years**

(21) **Appl. No.:** **29/326,175**

(22) **Filed:** **Oct. 14, 2008**

(51) **LOC (9) Cl.** **08-09**

(52) **U.S. Cl.** **D8/403**

(58) **Field of Classification Search** D8/400-499;
D25/199; D24/227, 229; 54/24, 26; 428/99,
428/199; 229/199; 206/453, 586, 557-567
See application file for complete search history.

(56) **References Cited**

U.S. PATENT DOCUMENTS

1,320,205	A	10/1919	Cochrane	
1,546,680	A	7/1925	Sessions	
2,080,630	A	5/1937	Nathanson	
2,995,863	A *	8/1961	Bright	248/345.1
3,030,728	A	4/1962	Wesman	
3,137,087	A	6/1964	Shroyer	
D220,166	S *	3/1971	Griffith	D8/380

(Continued)

FOREIGN PATENT DOCUMENTS

EP 0143299 6/1985

(Continued)

OTHER PUBLICATIONS

The Stopper Foot and Corner Shield. No date. Captured Jun. 17, 2009
<<http://velmedinc.com/Stopper.html>>.*

(Continued)

Primary Examiner—Cathron C Brooks

Assistant Examiner—Barbara Fox

(74) *Attorney, Agent, or Firm*—Trego, Hines & Ladenheim, PLLC

(57) **CLAIM**

I claim the ornamental design for a corner protector, as shown and described.

DESCRIPTION

FIG. 1 is a perspective view of a corner protector, showing my design;

FIG. 2 is a top view of the corner protector of FIG. 1;

FIG. 3 is a bottom view of the corner protector of FIG. 1;

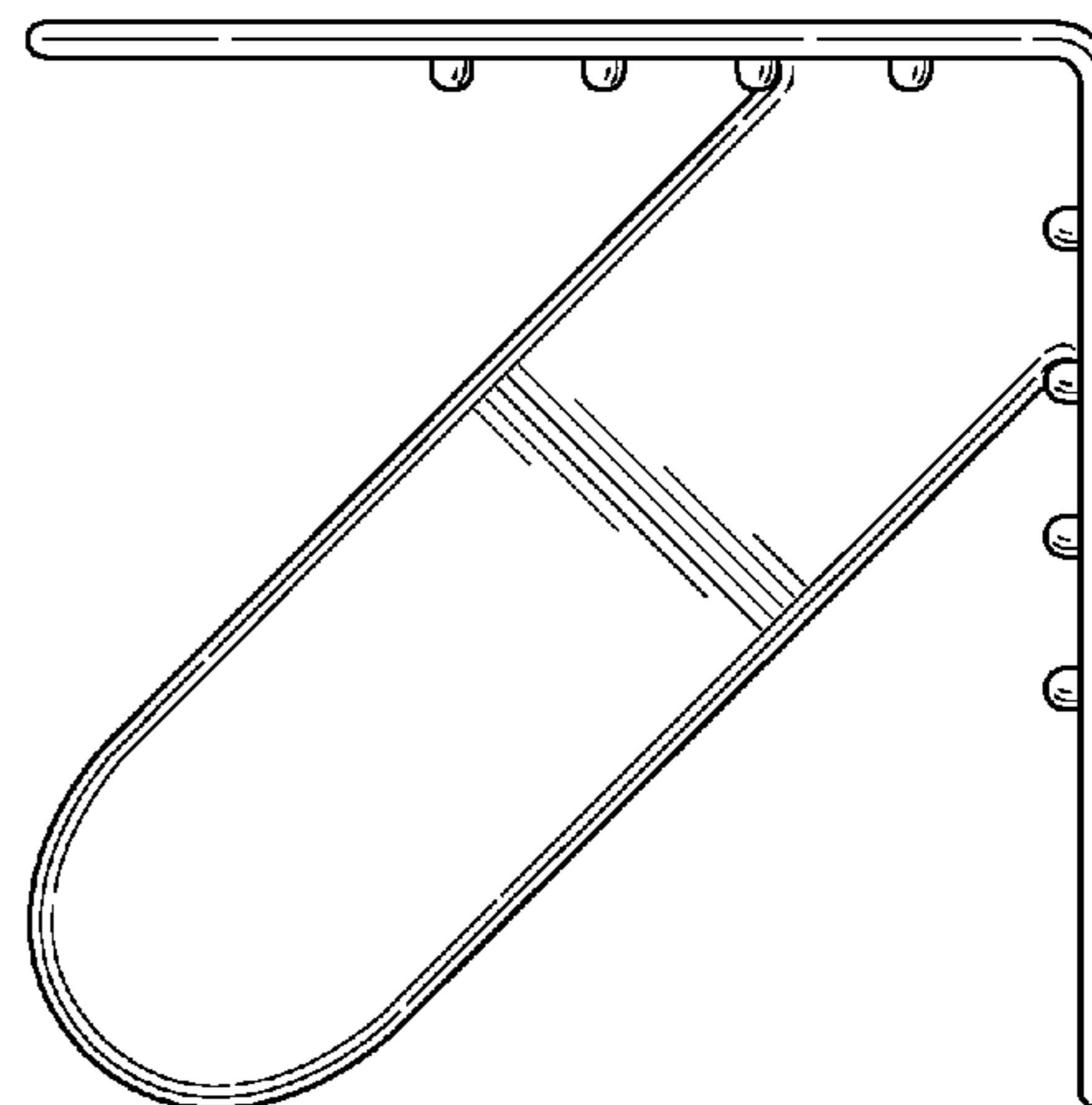
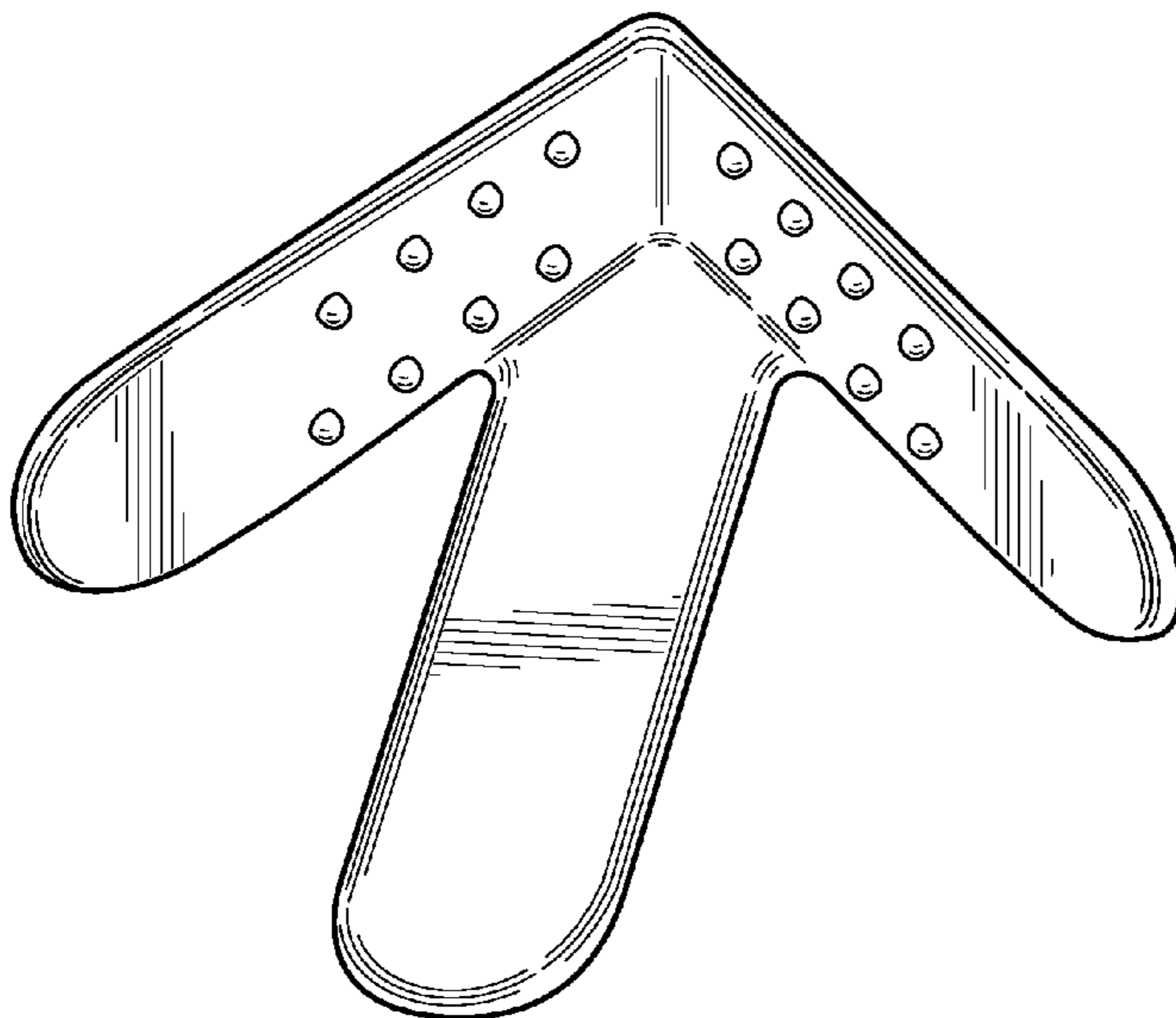
FIG. 4 is a front elevation of the corner protector of FIG. 1;

FIG. 5 is a rear elevation of the corner protector of FIG. 1;

FIG. 6 is a left elevation of the corner protector of FIG. 1; and,

FIG. 7 is a right elevation of the corner protector of FIG. 1.

1 Claim, 5 Drawing Sheets



US D602,350 S

Page 2

U.S. PATENT DOCUMENTS

3,655,113 A 4/1972 Carroll
 3,725,188 A 4/1973 Kalt
 3,762,626 A 10/1973 Dorsey
 3,822,036 A 7/1974 Goodsite
 3,843,038 A 10/1974 Sax
 3,870,152 A 3/1975 Kaplan
 3,955,677 A 5/1976 Collingwood
 3,960,354 A 6/1976 Simikoski
 3,975,564 A 8/1976 Jones
 3,994,433 A 11/1976 Jenkins et al.
 4,072,231 A 2/1978 Helms
 D249,314 S 9/1978 Wilde et al.
 D253,506 S 11/1979 Vigue
 D260,590 S 9/1981 Hobson
 4,287,265 A 9/1981 McKnight
 4,496,054 A 1/1985 Koltun
 4,529,091 A 7/1985 Martin
 D287,446 S 12/1986 Cowle
 4,742,916 A 5/1988 Galea
 4,838,427 A 6/1989 Hurley
 4,851,286 A 7/1989 Maurice
 4,852,744 A 8/1989 Van Breemen
 5,175,041 A 12/1992 Webb et al.
 D340,596 S * 10/1993 Sandy D6/449
 5,297,682 A 3/1994 Miltenberger
 5,311,825 A 5/1994 Bonham
 5,370,229 A 12/1994 Kroeckel et al.
 D356,946 S 4/1995 Rekuc
 5,549,868 A 8/1996 Carlson, II
 D384,585 S 10/1997 Swarr
 5,749,512 A 5/1998 Gingras-Taylor
 5,772,037 A 6/1998 Hurley
 5,868,372 A * 2/1999 Novak et al. 248/346.11

D416,476 S 11/1999 Engberg
 6,007,469 A 12/1999 Jaegers et al.
 6,039,184 A 3/2000 Gale
 6,103,335 A 8/2000 Zoller et al.
 6,368,694 B1 4/2002 Marsh et al.
 6,440,375 B1 8/2002 Davis et al.
 6,470,637 B2 10/2002 Gratz
 6,478,354 B1 11/2002 Eyal
 D475,613 S * 6/2003 Mullane D8/499
 6,629,608 B2 10/2003 Hurley et al.
 6,776,380 B1 8/2004 Kirk, Jr. et al.
 D495,595 S * 9/2004 Dressler D8/499
 6,840,372 B2 1/2005 Giles et al.
 6,902,712 B2 6/2005 Davis
 D537,337 S 2/2007 Brockington et al.
 D542,127 S * 5/2007 Carr et al. D8/403
 D551,294 S * 9/2007 Goudy D19/34.1
 D560,485 S * 1/2008 Lavelle D8/402
 D573,013 S * 7/2008 Lavelle D8/403
 7,413,157 B2 * 8/2008 Curnow et al. 248/345.1
 7,422,185 B2 9/2008 Curnow et al.
 2005/0244316 A1 11/2005 Davis
 2006/0000745 A1 1/2006 Seelye et al.
 2006/0243636 A1 11/2006 Robichaud et al.

FOREIGN PATENT DOCUMENTS

EP 1357056 10/2003
 WO WO94/10058 5/1994
 WO WO2007/019233 2/2007

OTHER PUBLICATIONS

Hmark, UnderGuard Tray Corners, 2006, p. 19, US.

* cited by examiner

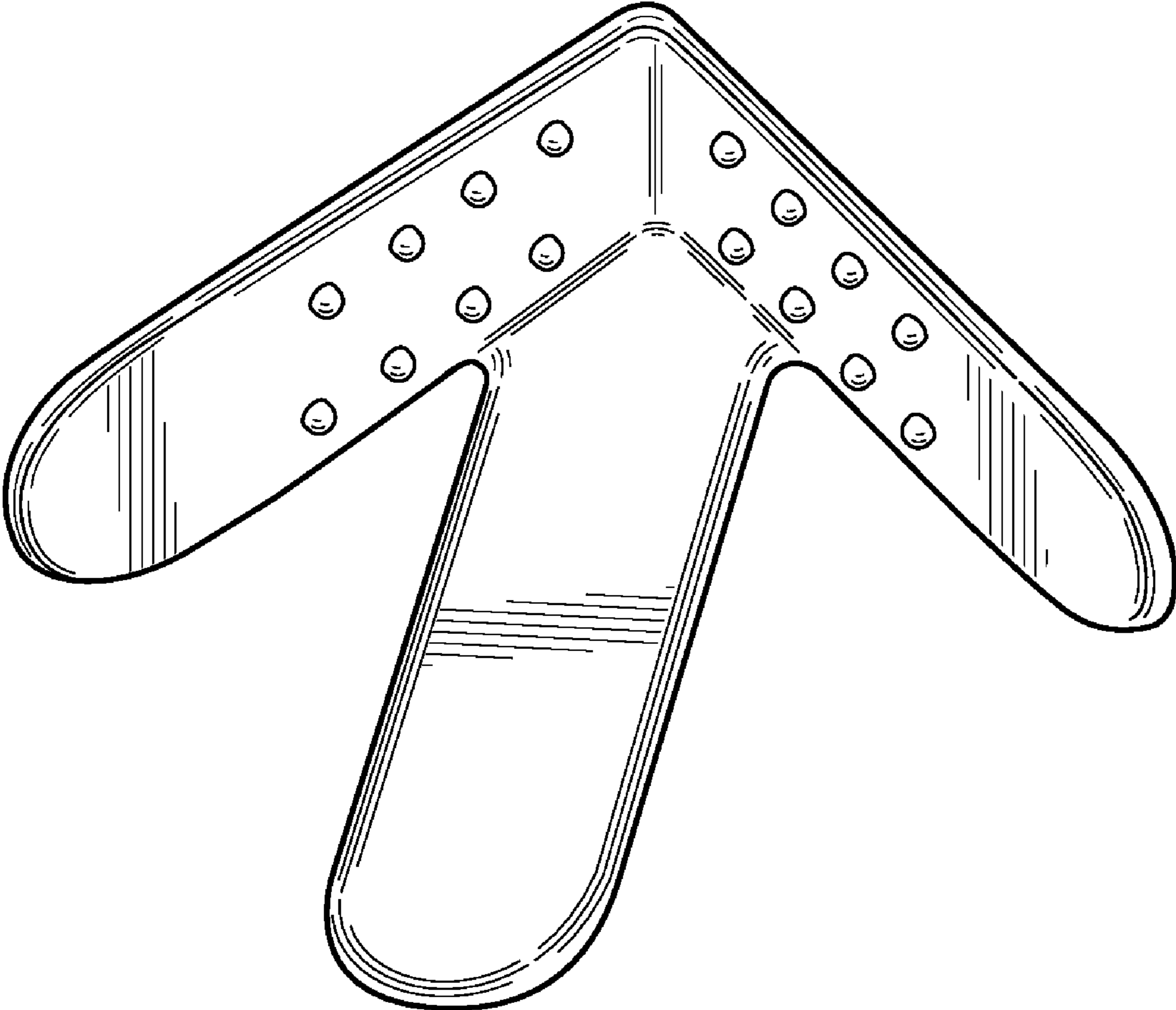


FIG. 1

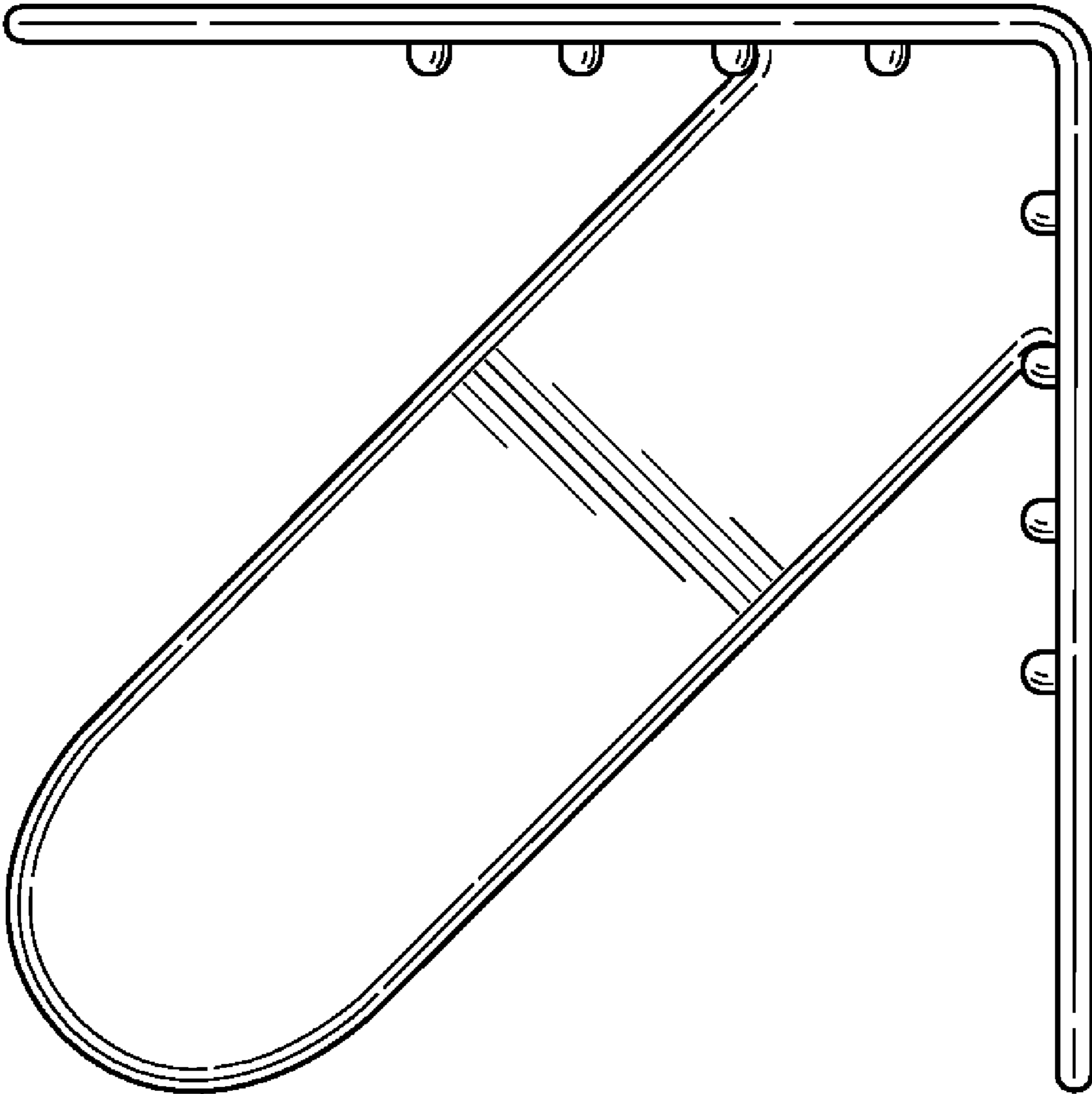


FIG. 2

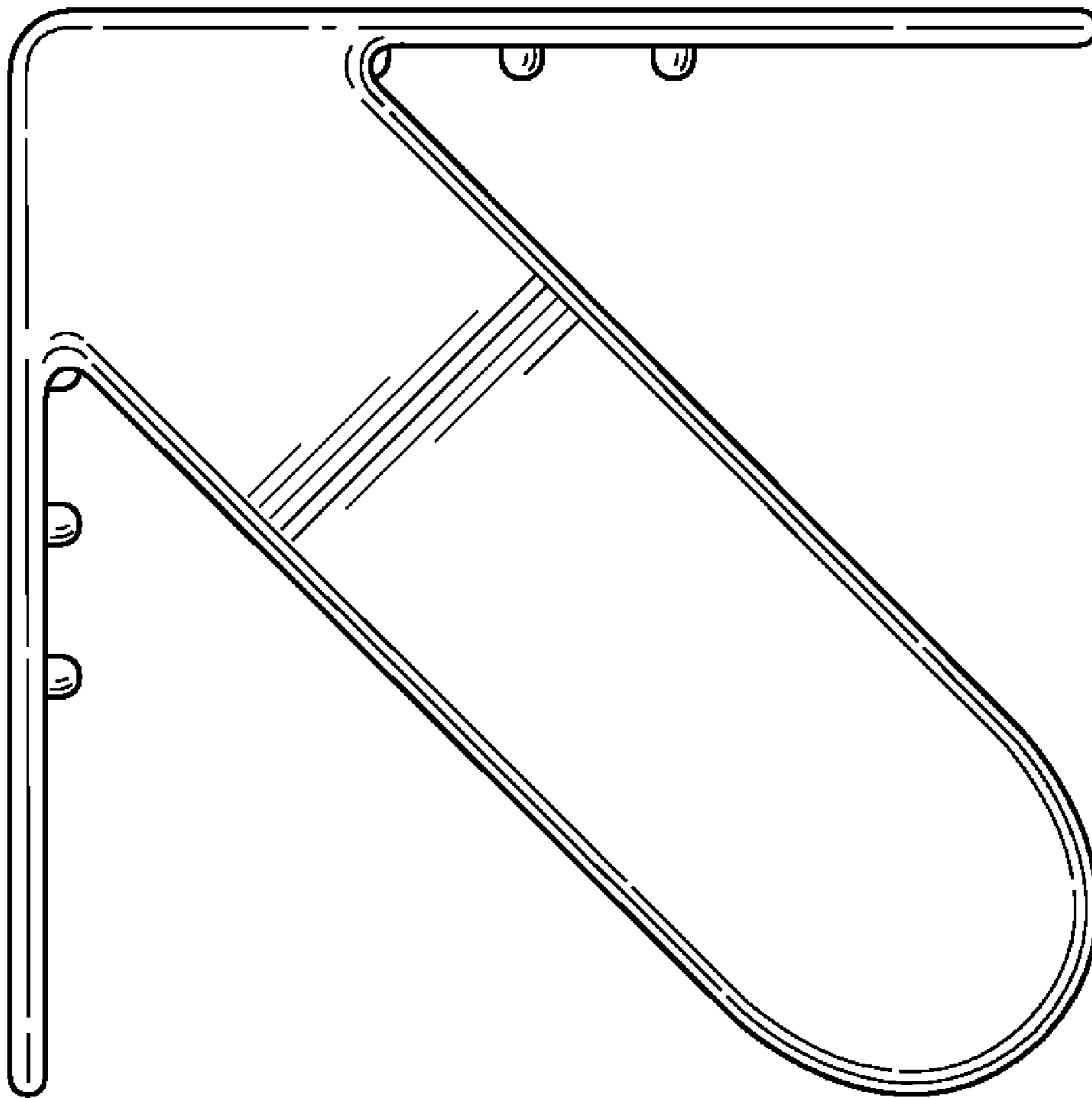


FIG. 3

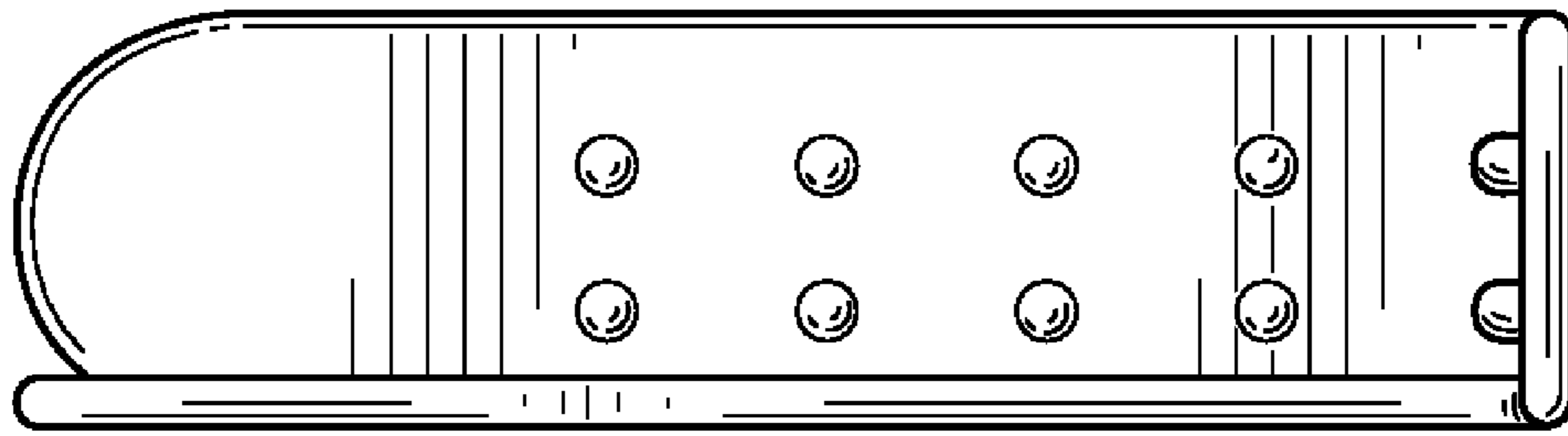


FIG. 4

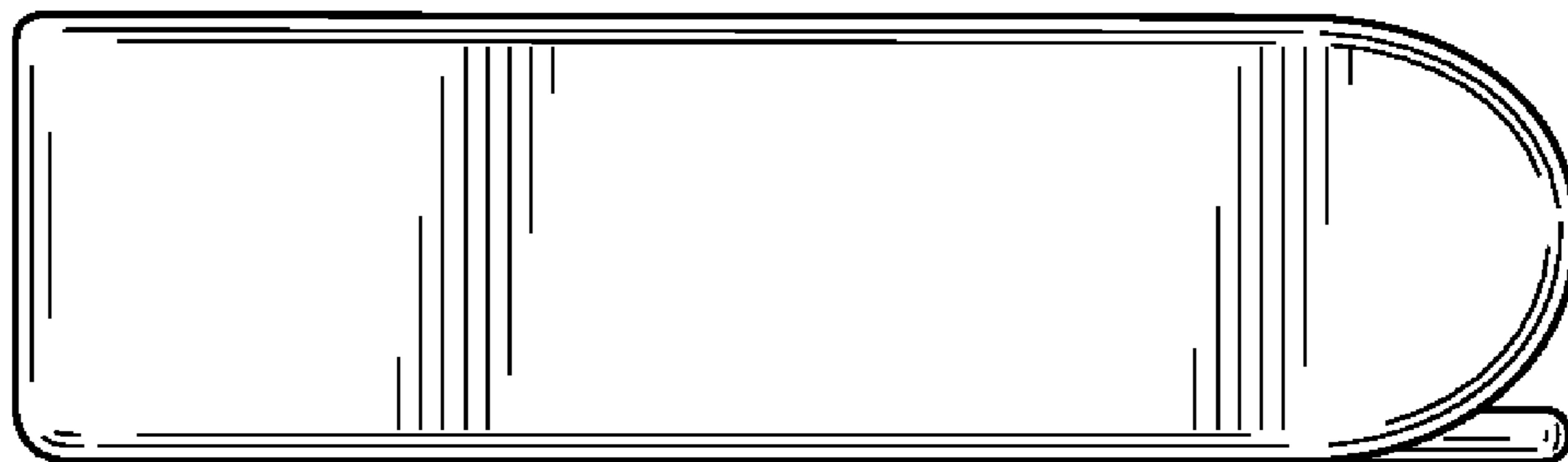


FIG. 5

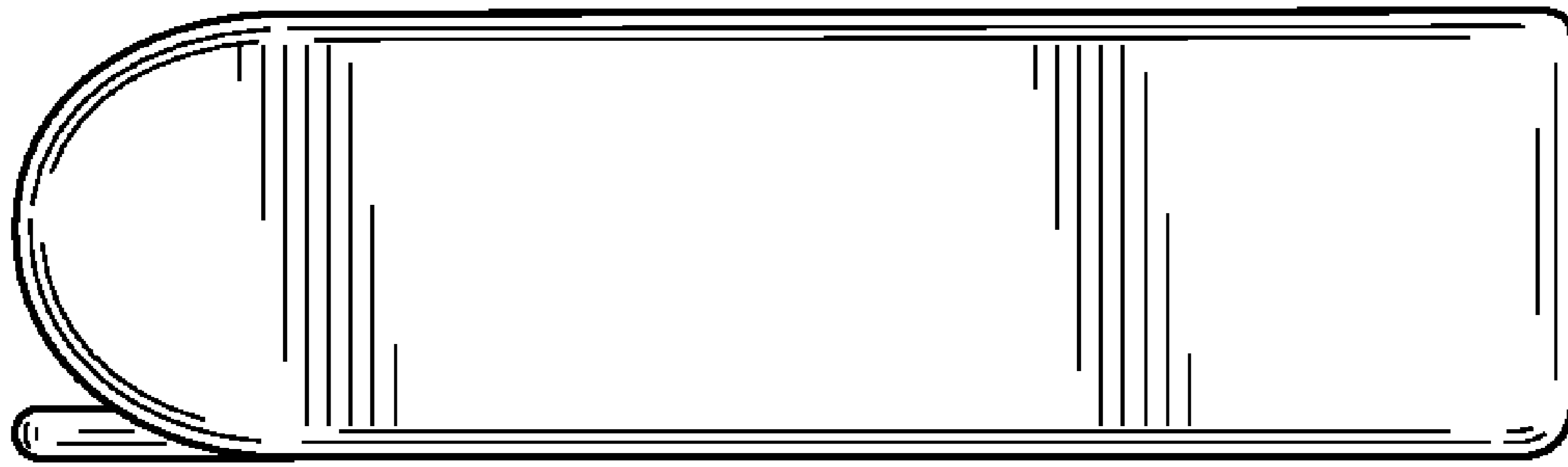


FIG. 6

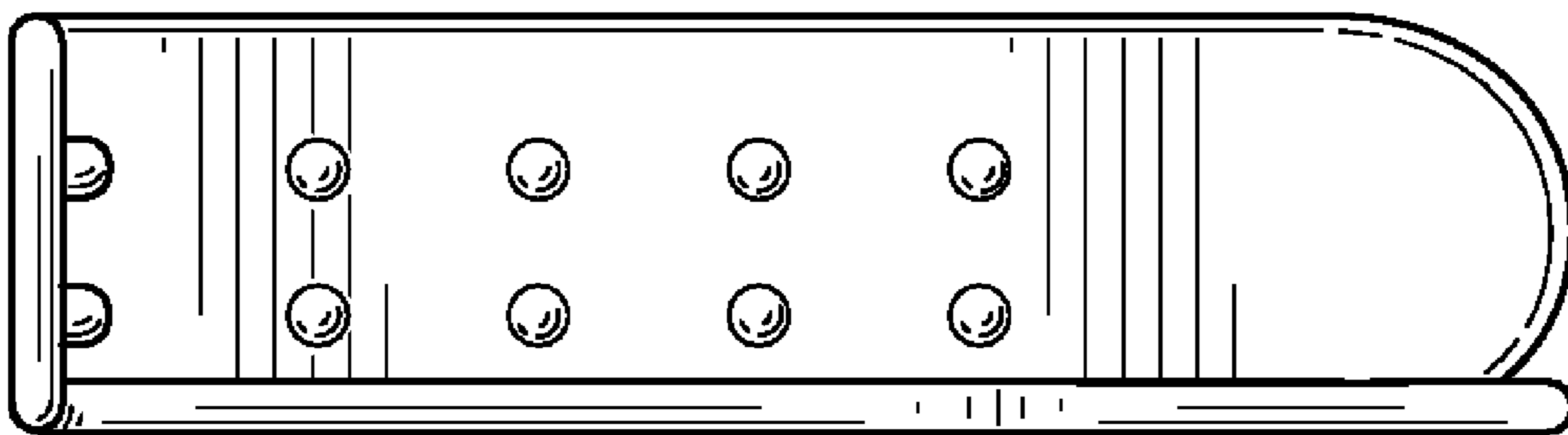


FIG. 7