



US00D602348S

(12) **United States Design Patent**
Berney

(10) **Patent No.:** **US D602,348 S**
(45) **Date of Patent:** **** Oct. 20, 2009**

(54) **SWIVEL HOOK**

(75) Inventor: **Brian J. Berney**, Keller, TX (US)

(73) Assignee: **Ed Tucker Distributor, Inc.**, Fort Worth, TX (US)

(**) Term: **14 Years**

(21) Appl. No.: **29/332,718**

(22) Filed: **Feb. 24, 2009**

Related U.S. Application Data

(63) Continuation of application No. 12/110,134, filed on Apr. 25, 2008.

(51) **LOC (9) Cl.** **08-08**

(52) **U.S. Cl.** **D8/382; D8/367**

(58) **Field of Classification Search** D8/382,
D8/22, 356, 367, 372; 24/265 H, 265 R,
24/599.5, 599.9, 600.1, 600.8

See application file for complete search history.

(56) **References Cited**

U.S. PATENT DOCUMENTS

765,812	A	7/1904	Carlson	
1,889,633	A	11/1932	Butterworth	
D249,327	S	9/1978	Gaines	
4,577,374	A	3/1986	Lii	
D308,627	S *	6/1990	Guffey	D8/356
D337,935	S *	8/1993	Hawley	D8/367
5,253,396	A	10/1993	Rekuc et al.	
D342,665	S *	12/1993	Rekuc	D8/367
5,274,887	A	1/1994	Fudaki	
5,365,642	A	11/1994	Rekuc et al.	
5,398,389	A	3/1995	Terada et al.	
5,438,736	A	8/1995	Terada et al.	
5,450,661	A	9/1995	Rekuc	
5,475,901	A	12/1995	Anscher	
D375,889	S *	11/1996	Miller et al.	D8/367
5,671,514	A	9/1997	Matoba et al.	
D413,252	S *	8/1999	Striebel	D8/367
D413,789	S	9/1999	Striebel	
6,550,413	B2	4/2003	Fiorentino et al.	
6,694,574	B1	2/2004	Sheng	
D491,049	S *	6/2004	Kung	D8/367
D496,251	S *	9/2004	Buscart	D8/356

D500,244	S	12/2004	Yoshiguchi	
D565,392	S *	4/2008	Shetler	D8/356
7,353,571	B2 *	4/2008	Goldberg	24/599.6
D583,654	S *	12/2008	Uehara	D8/367
2006/0179784	A1 *	8/2006	Chen	52/698
2006/0248686	A1	11/2006	Cook	
2008/0022497	A1 *	1/2008	Thompson	24/598.1

OTHER PUBLICATIONS

International Search Report in PCT Patent Application No. PCT/US2009/037086, dated May 5, 2009.

Written Opinion of the International Search Authority in PCT Application No. PCT/US2009/37086, dated May 5, 2009.

* cited by examiner

Primary Examiner—Holly H Baynham

Assistant Examiner—Sheryl Lane

(74) *Attorney, Agent, or Firm*—Gardere Wynne Sewell LLP

(57) **CLAIM**

The ornamental design for a swivel hook, as shown and described.

DESCRIPTION

FIG. 1 is a perspective view of a swivel hook in accordance with my invention;

FIG. 2 is a top plan view of the swivel hook shown in FIG. 1;

FIG. 3 is a bottom plan view of the swivel hook shown in FIG. 1;

FIG. 4 is a right side view of the swivel hook shown in FIG. 1;

FIG. 5 is a left side view of the swivel hook shown in FIG. 1;

FIG. 6 is a left end view of the swivel hook shown in FIG. 1;

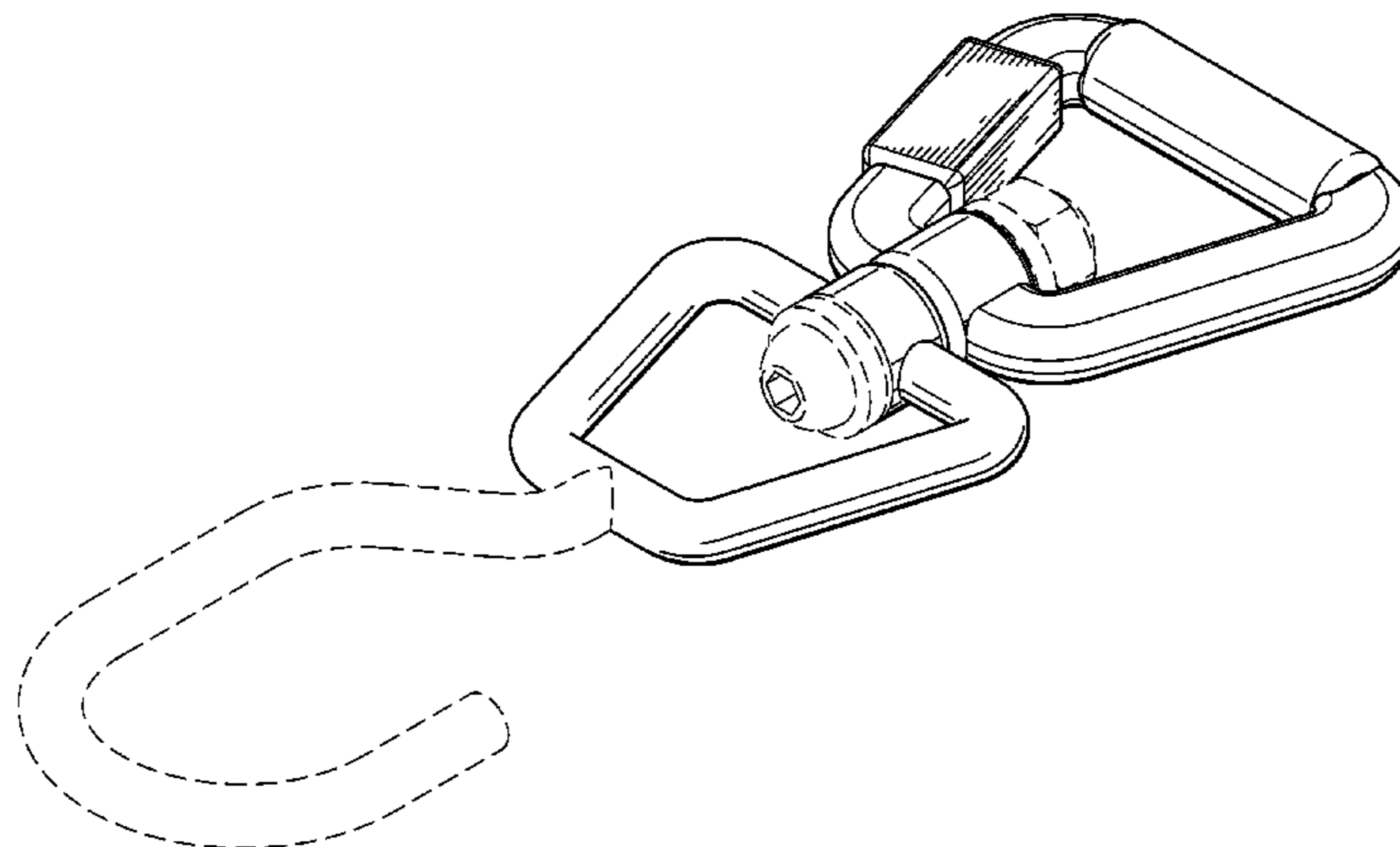
FIG. 7 is a right end view of the swivel hook shown in FIG. 1;

FIG. 8 is another perspective view of the swivel hook shown in FIG. 1 shown with additional context; and,

FIG. 9 is yet another perspective view of the swivel hook shown in FIG. 1 shown with additional context.

The broken line showing of the tie down swivel is included for the purpose of illustrating portions of the article and forms no part of the claimed design.

1 Claim, 4 Drawing Sheets



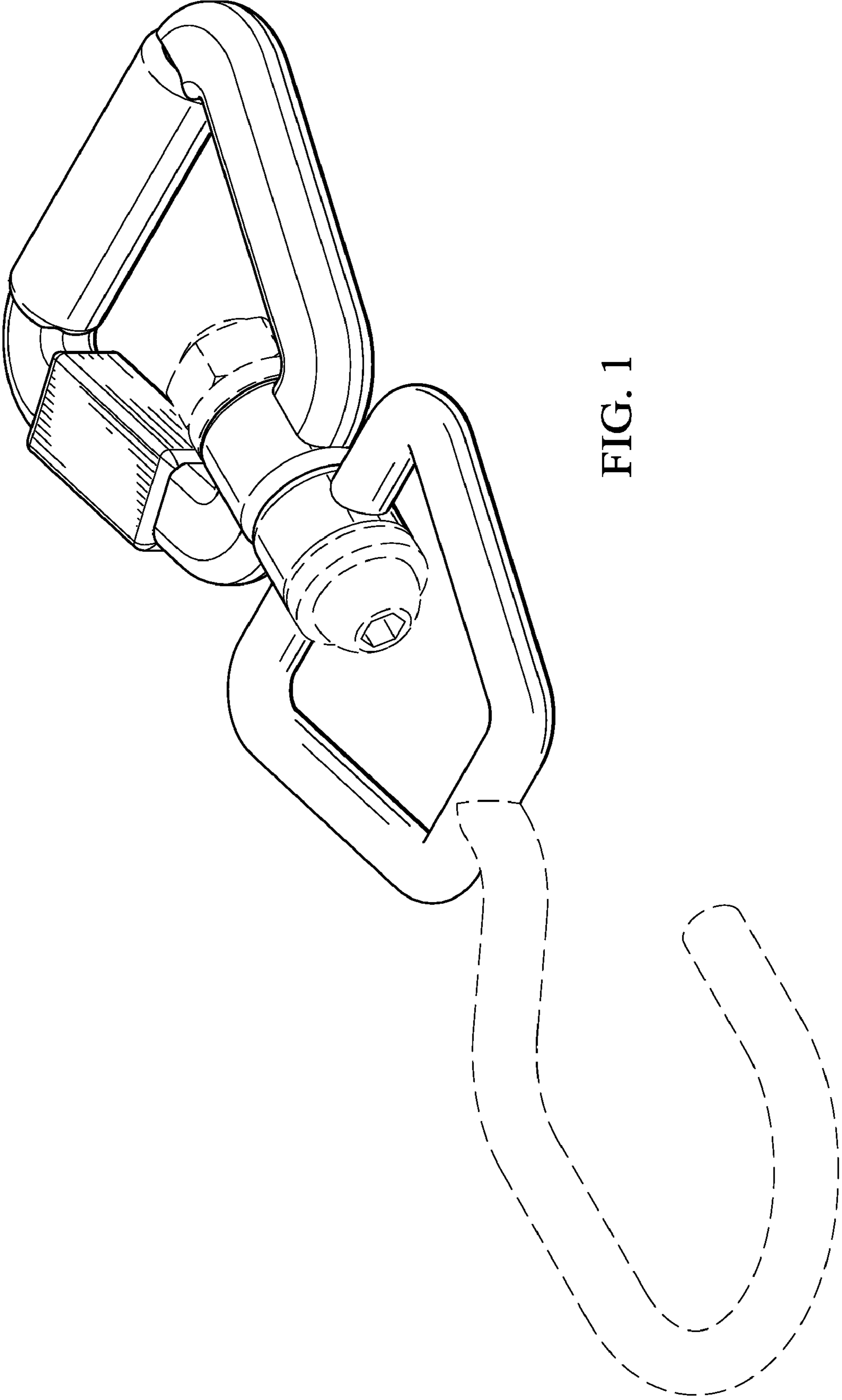


FIG. 1

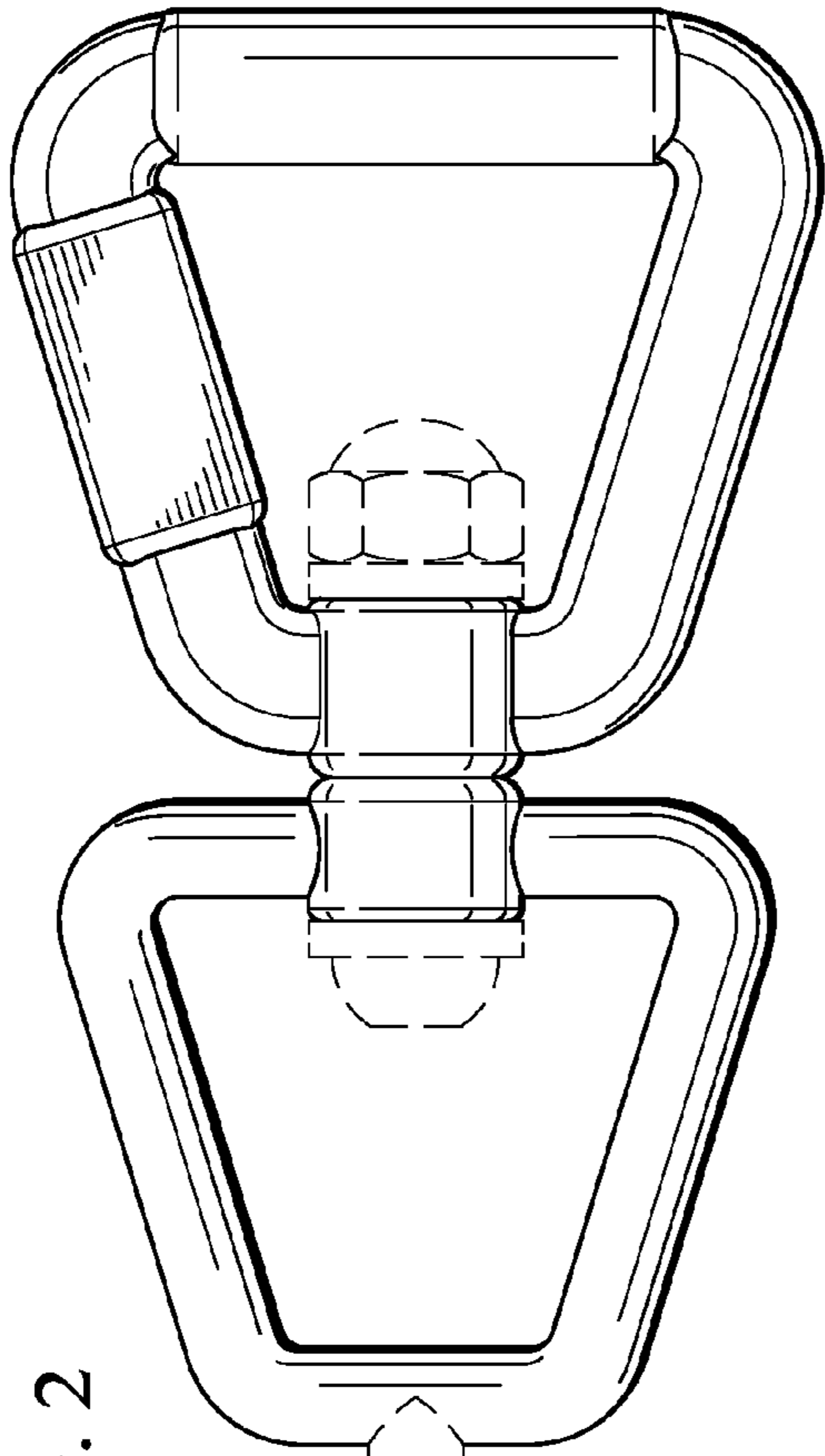


FIG. 2

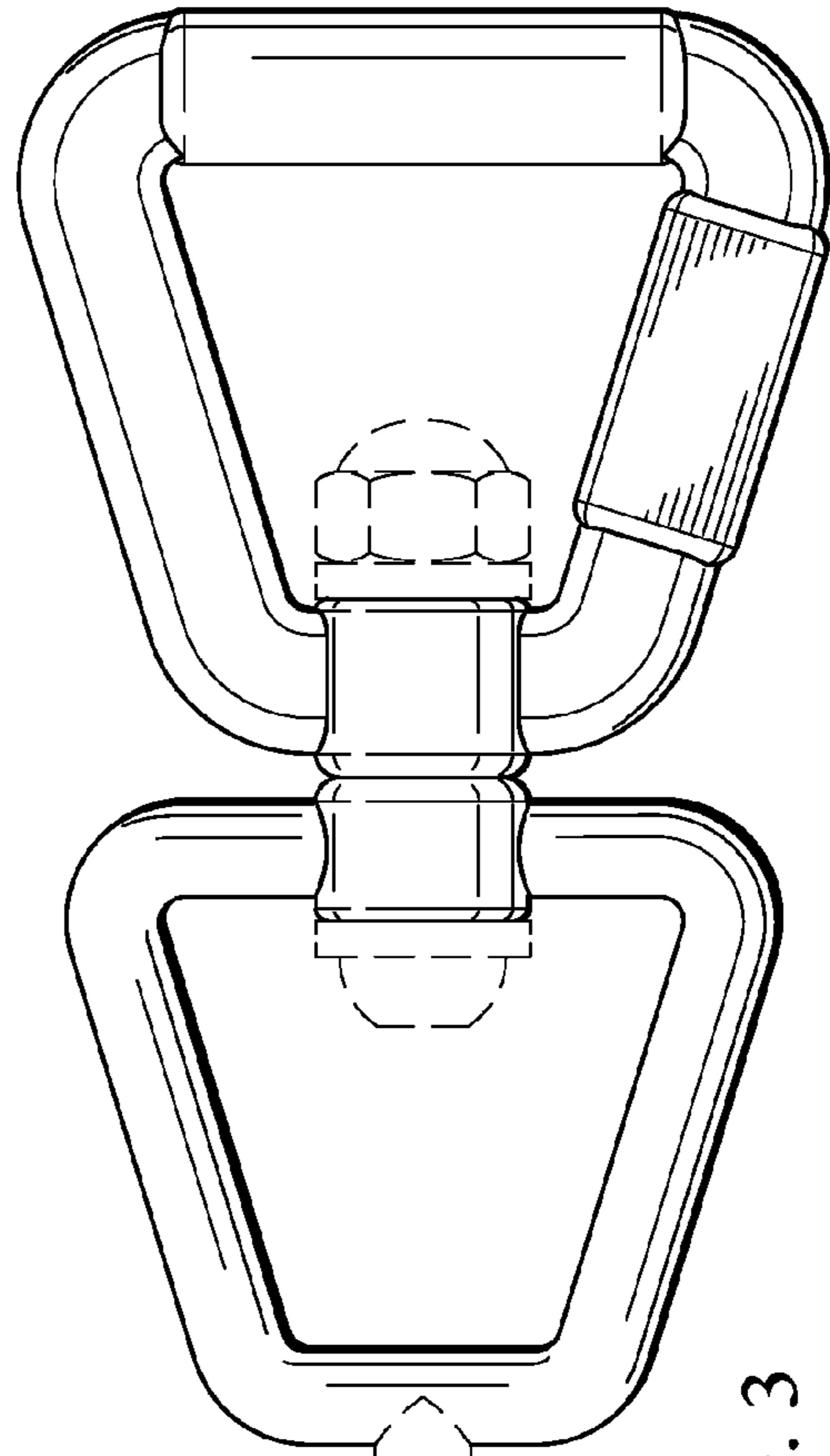


FIG. 3

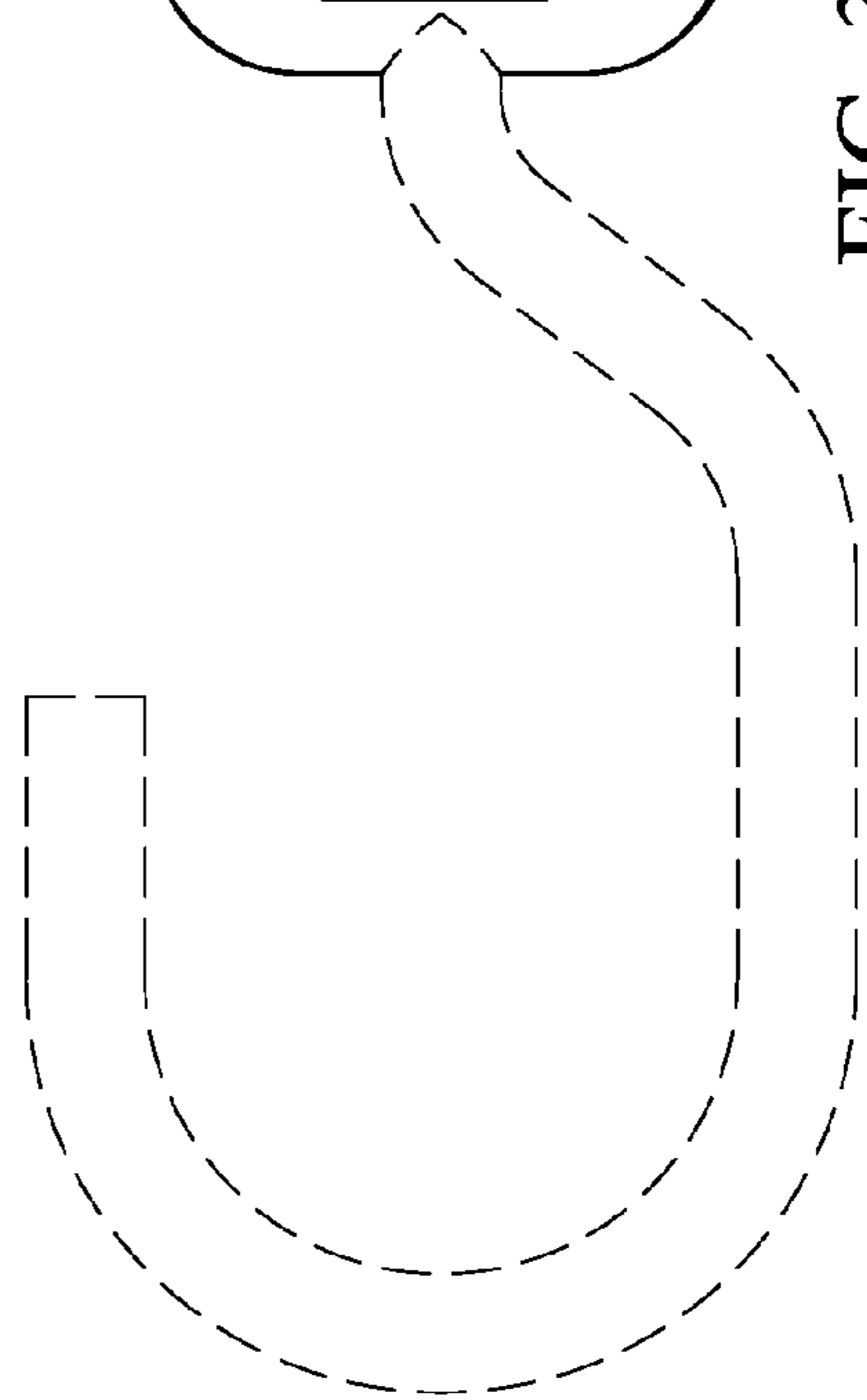
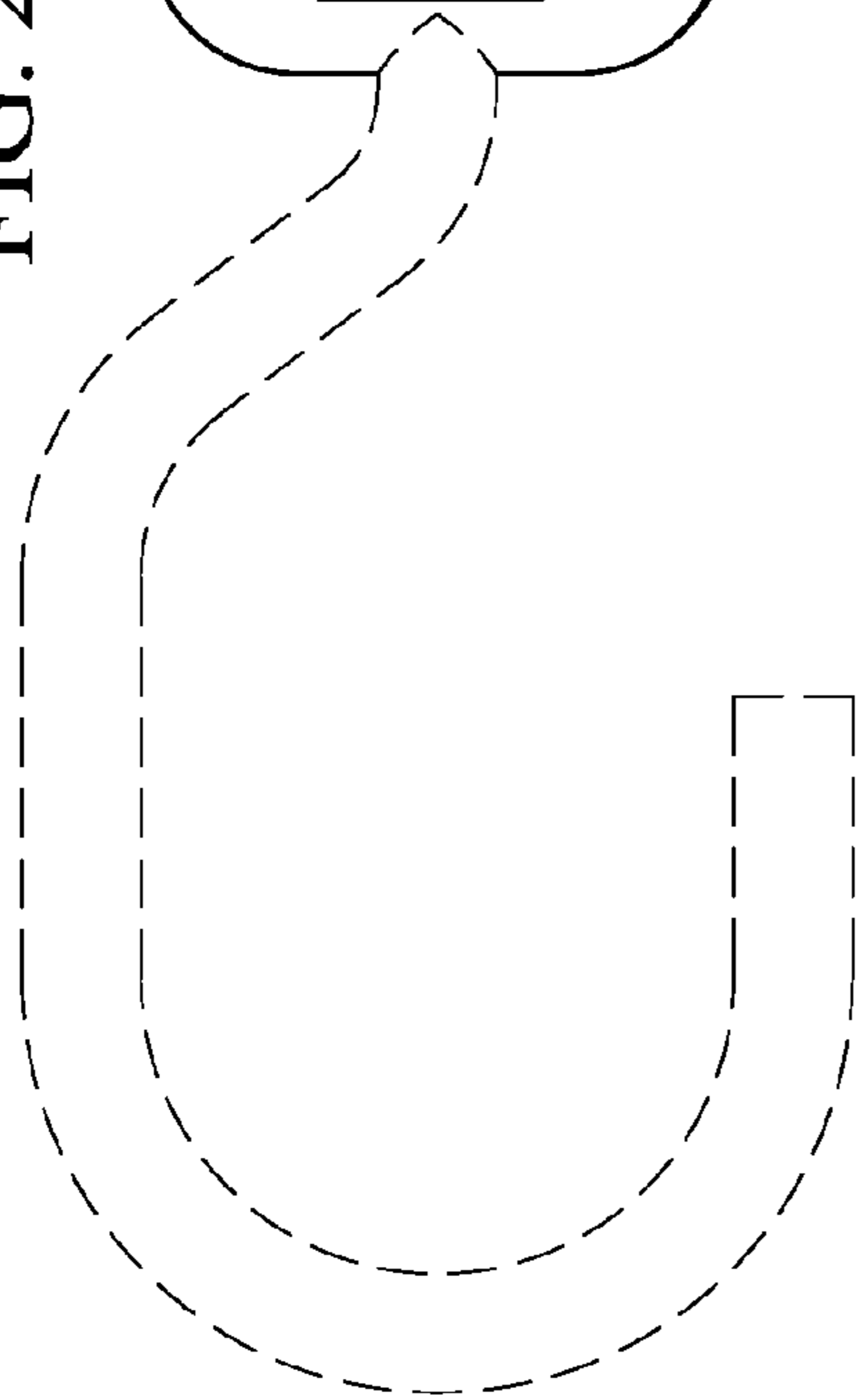


FIG. 4

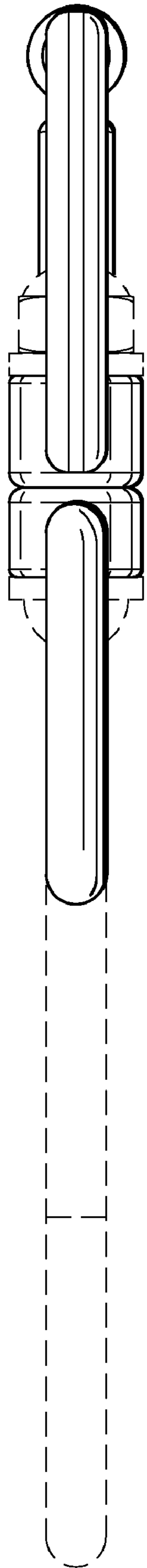


FIG. 5

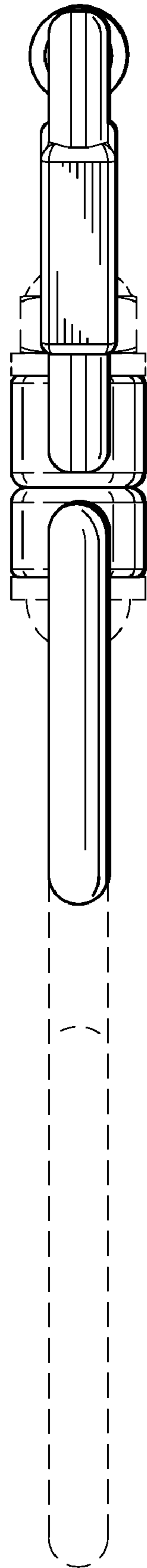


FIG. 6

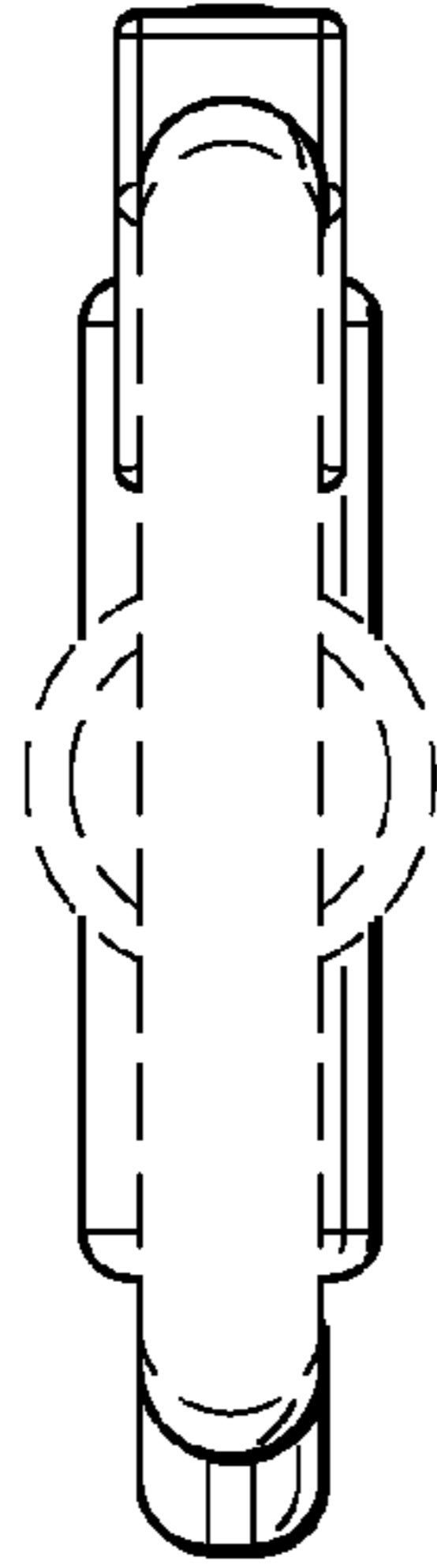


FIG. 7

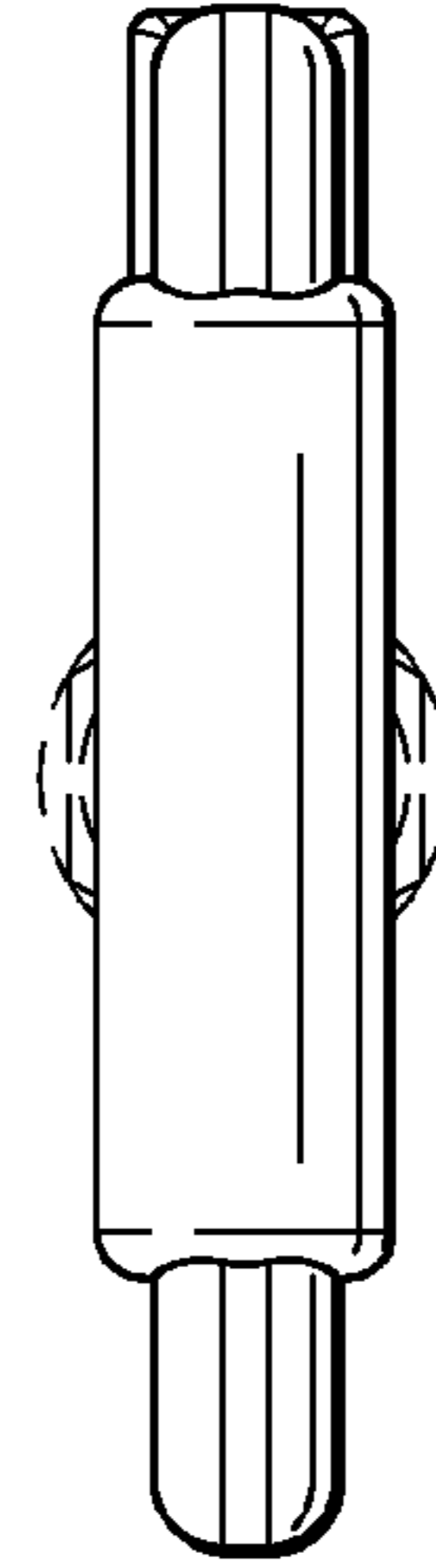


FIG. 8

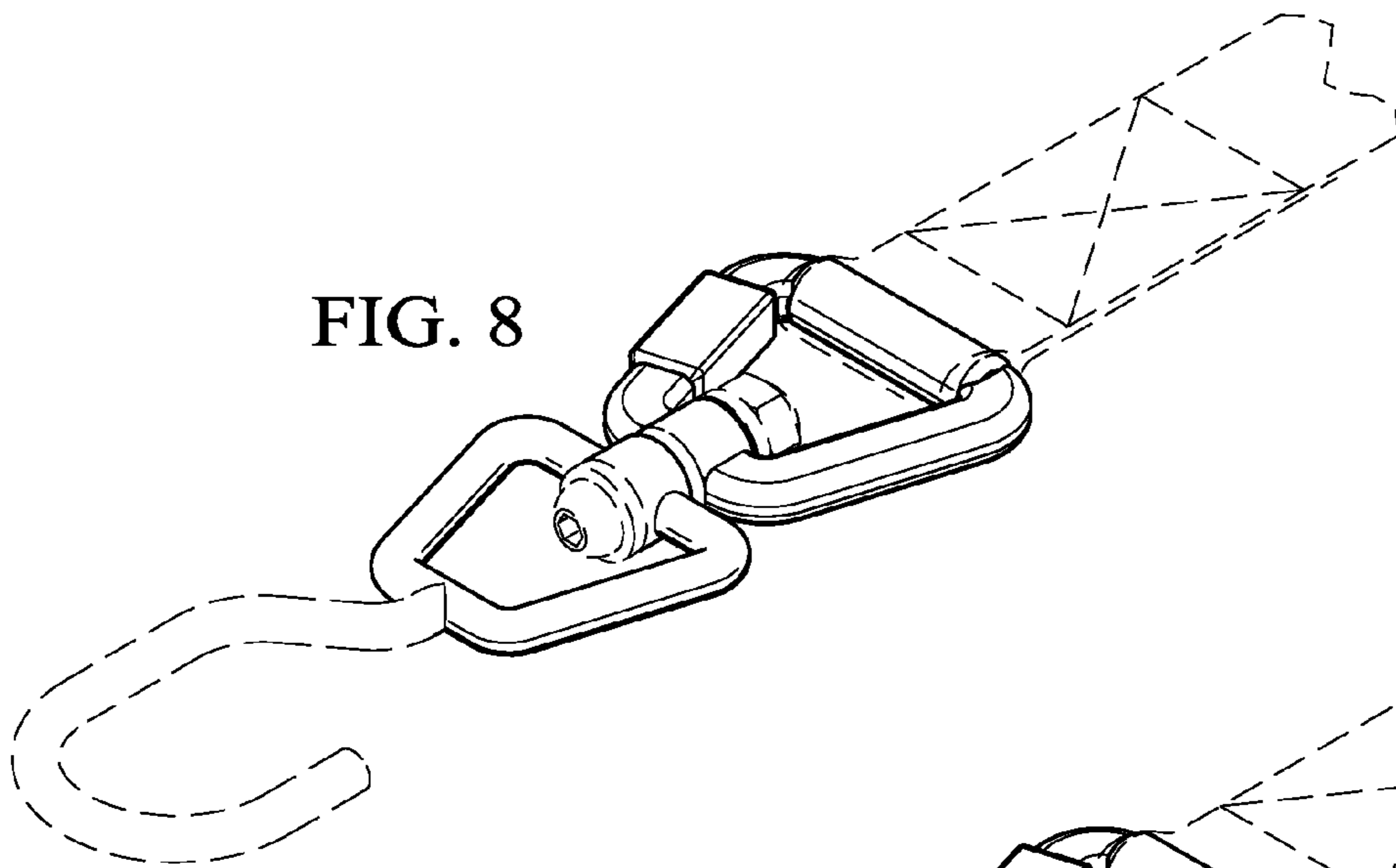


FIG. 9

