



US00D602347S

(12) **United States Design Patent**
Allen

(10) **Patent No.:** **US D602,347 S**

(45) **Date of Patent:** **** Oct. 20, 2009**

(54) **COUPLER FOR FANS**

D573,455 S * 7/2008 Ryman D8/382

(76) Inventor: **Wayne M. Allen**, 3241 Armagosa Way,
Jamul, CA (US) 91935

* cited by examiner

Primary Examiner—Holly H Baynham

Assistant Examiner—Sheryl Lane

(74) *Attorney, Agent, or Firm*—Palomar Patent; Calif Tervo

(**) Term: **14 Years**

(21) Appl. No.: **29/312,413**

(57) **CLAIM**

(22) Filed: **Oct. 17, 2008**

The ornamental design for a coupler for fans, as shown and described.

(51) **LOC (9) Cl.** **08-08**

(52) **U.S. Cl.** **D8/382**

(58) **Field of Classification Search** D8/382;
285/373, 419, 420, 414, 279

See application file for complete search history.

DESCRIPTION

FIG. 1 is a perspective view of a coupler for fans with the right hand latch in an unlocked position;

FIG. 2 is a right elevation view thereof; the left side elevation view being a mirror image;

FIG. 3 is a top plan view thereof; the bottom plan view being a mirror image; and,

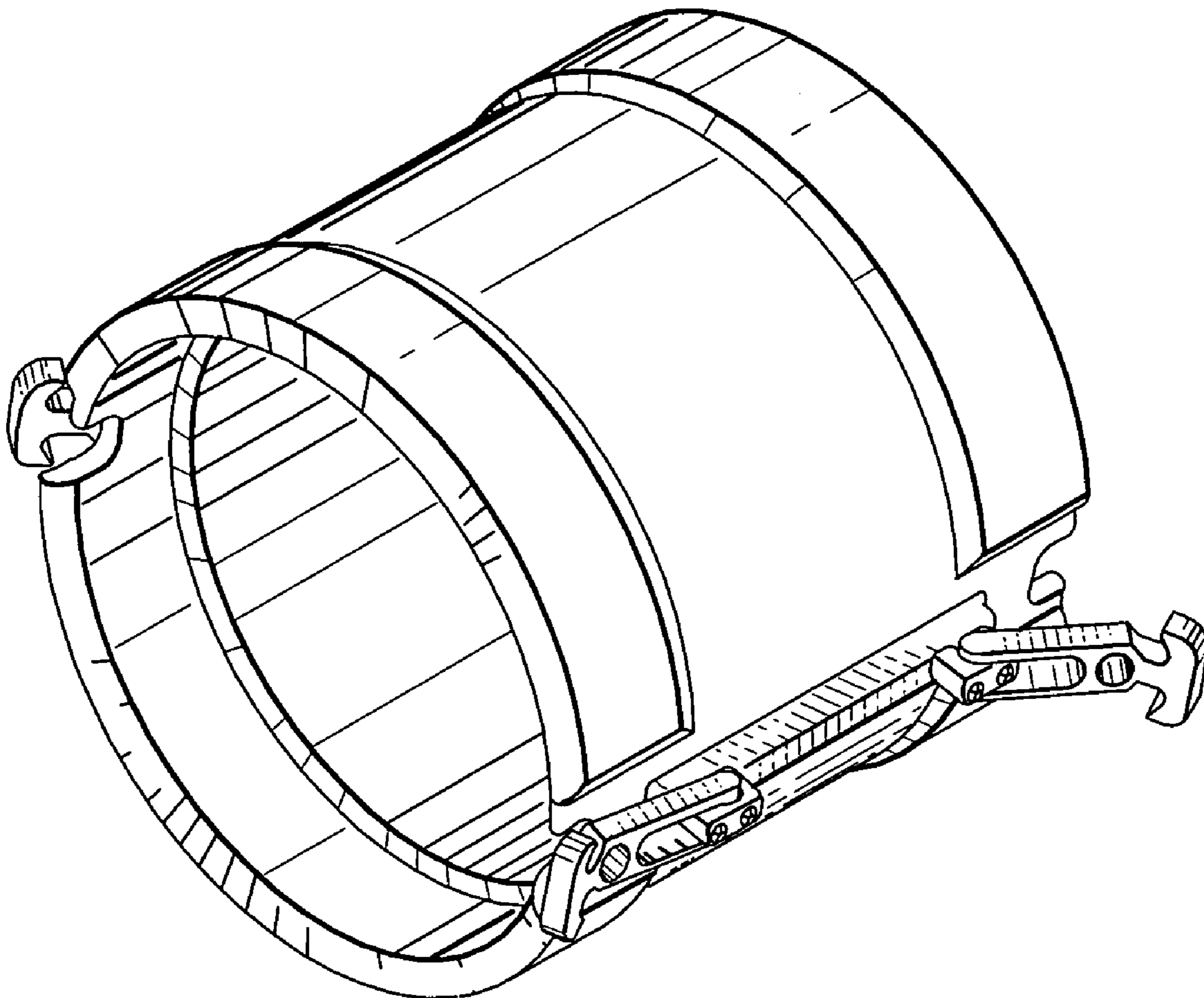
FIG. 4 is a front elevation view thereof; the back elevation view being a mirror image.

(56) **References Cited**

U.S. PATENT DOCUMENTS

D322,025 S *	12/1991	Funston	D8/382
6,145,896 A *	11/2000	Vitel et al.	285/414
6,758,501 B2 *	7/2004	Amedure et al.	285/373
D518,365 S *	4/2006	Wamsley	D8/382
7,025,393 B2 *	4/2006	Amedure et al.	285/419

1 Claim, 2 Drawing Sheets



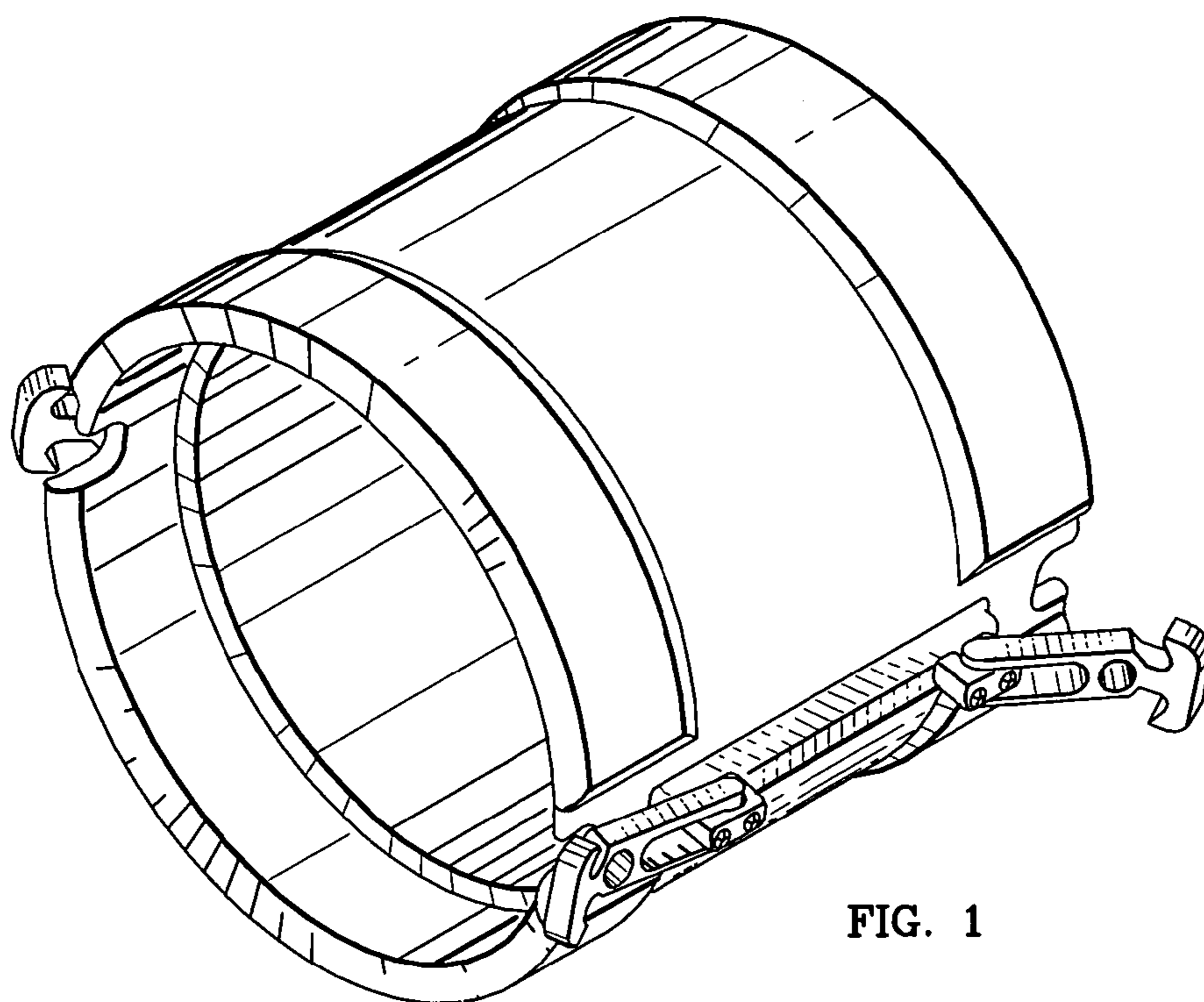


FIG. 1

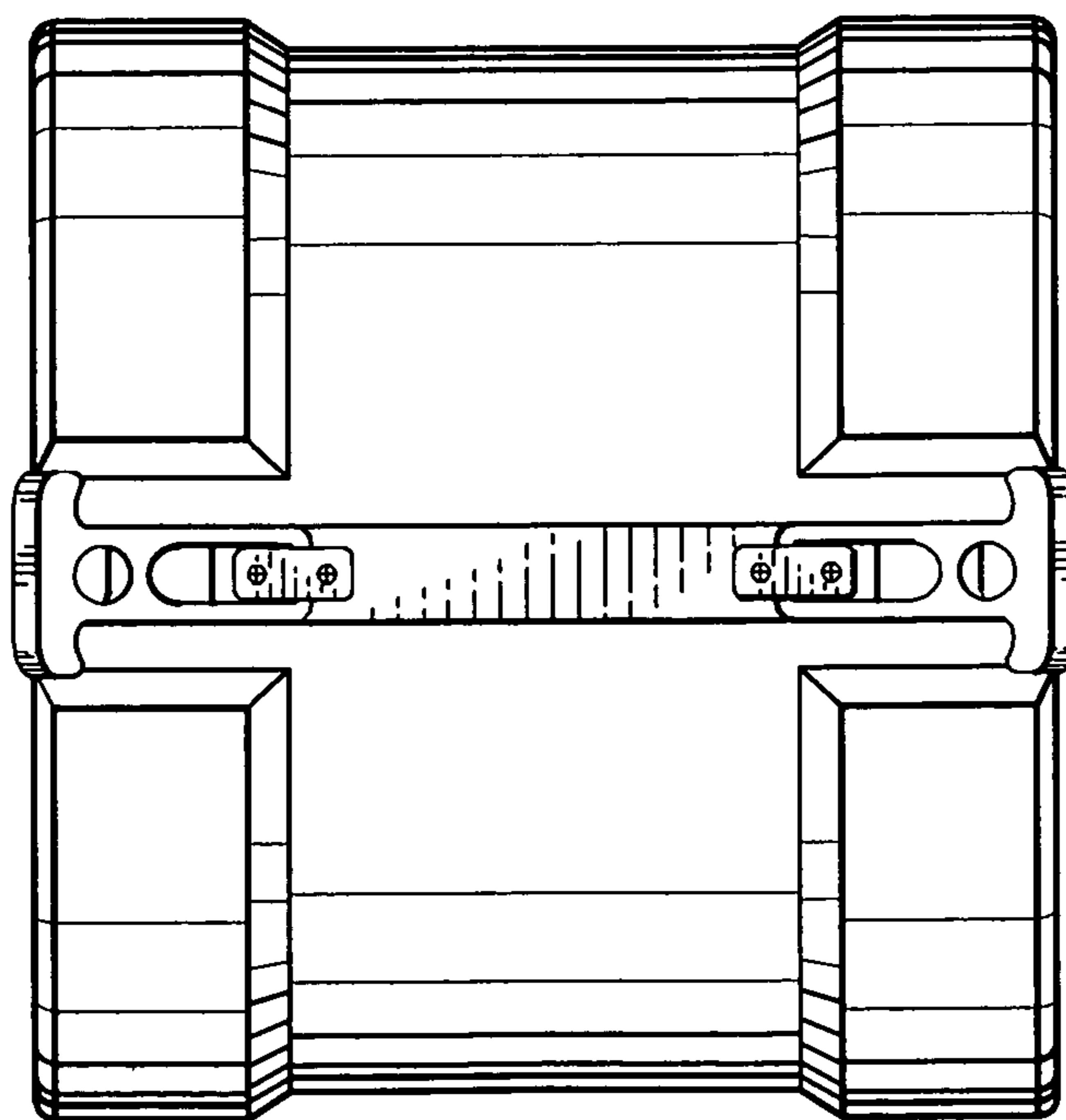


FIG. 2

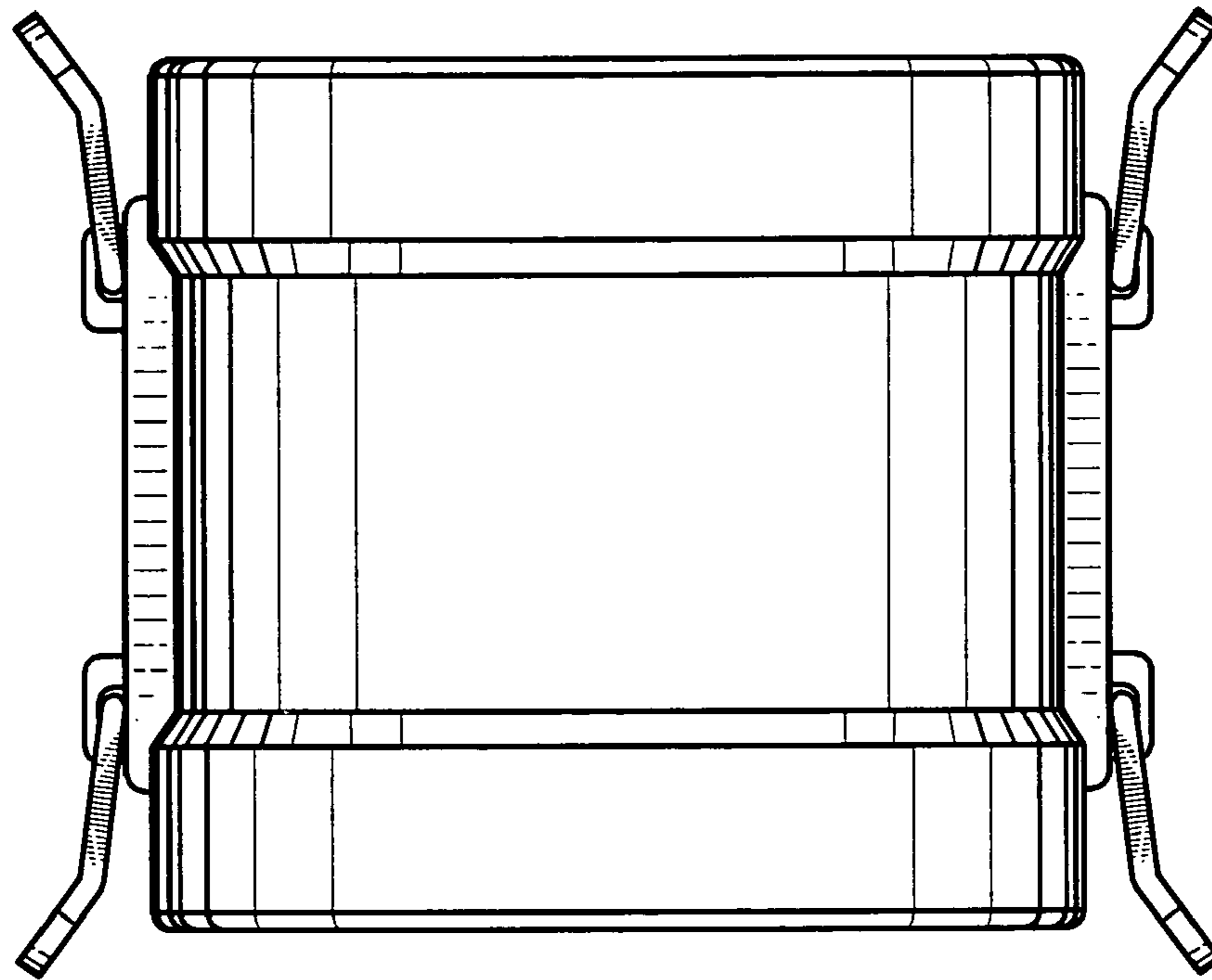


FIG. 3

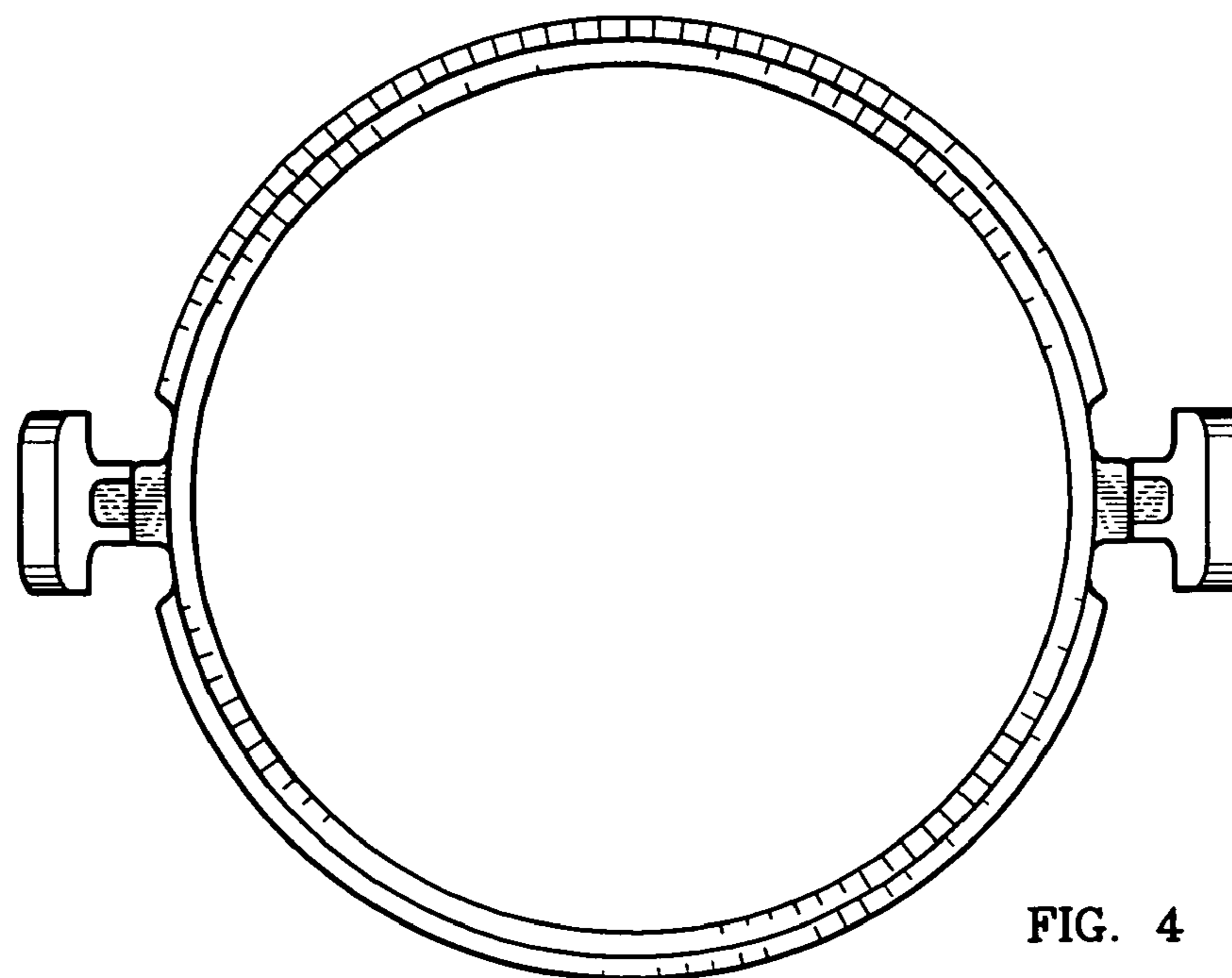


FIG. 4