



US00D602346S

(12) **United States Design Patent**
Allsopp

(10) **Patent No.:** **US D602,346 S**
(45) **Date of Patent:** **** Oct. 20, 2009**

(54) **WINDOW BLIND FRAME CONNECTOR**

(75) Inventor: **Reginald Charles Allsopp**, Stockport
(GB)

(73) Assignee: **Louver-Lite Limited**, Hyde Cheshire
(GB)

(**) Term: **14 Years**

(21) Appl. No.: **29/248,160**

(22) Filed: **Jul. 31, 2006**

(30) **Foreign Application Priority Data**

Jan. 30, 2006 (EM) 473541-0002

(51) **LOC (9) Cl.** **08-05**

(52) **U.S. Cl.** **D8/369**

(58) **Field of Classification Search** D6/575,
D6/577, 579, 580, 581; D25/55, 119, 121;
16/95 R; 160/19, 38; D23/385, 386, 387,
D23/388, 389, 390, 391, 392, 393; 454/152,
454/154, 155, 201, 202, 284, 290, 319; 62/262,
62/263

See application file for complete search history.

(56) **References Cited**

U.S. PATENT DOCUMENTS

2,596,438	A	5/1952	Roillings	
4,254,813	A *	3/1981	Vecchiarelli	160/19
5,000,242	A	3/1991	Coddens	
5,282,504	A	2/1994	Anderson et al.	
D361,010	S *	8/1995	Hebsgaard	D6/580
5,479,979	A	1/1996	Hayashiguchi et al.	
5,505,245	A *	4/1996	Badalamenti	160/38
D393,319	S *	4/1998	Reuter	D25/55

D405,544	S *	2/1999	Magnusson et al.	D25/121
D427,694	S *	7/2000	Bevan et al.	D25/121
D439,461	S *	3/2001	Brunell	D6/580
D480,250	S *	10/2003	Nainee	D6/580
D494,401	S *	8/2004	Davies et al.	D6/580
D494,801	S *	8/2004	Lee	D6/580
D495,808	S *	9/2004	Habeck et al.	D6/580
6,817,401	B2	11/2004	Sun et al.	
D542,067	S *	5/2007	Watkins et al.	D6/580
D546,104	S *	7/2007	Miller et al.	D6/580
D554,422	S *	11/2007	Lin	D6/580
2001/0030028	A1	10/2001	Poppema	
2003/0075281	A1	4/2003	Goldenberg et al.	
2004/0154753	A1	8/2004	Tagtow et al.	
2004/0211531	A1	10/2004	Dybdahl	
2004/0238131	A1	12/2004	Eveland	

* cited by examiner

Primary Examiner—Philip S Hyder

Assistant Examiner—Barbara B Lohr

(74) *Attorney, Agent, or Firm*—Haugen Law Firm PLLP

(57) **CLAIM**

The ornamental design for a window blind frame connector, as shown and described.

DESCRIPTION

FIG. 1 is a lower front perspective view of the design;

FIG. 2 is a bottom plan view of the design;

FIG. 3 is a lower rear perspective view of the design;

FIG. 4 is a front plan view of the design;

FIG. 5 is a side view of the design;

FIG. 6 is an upper front perspective view of the design; and,

FIG. 7 is an upper rear perspective view of the design.

1 Claim, 7 Drawing Sheets

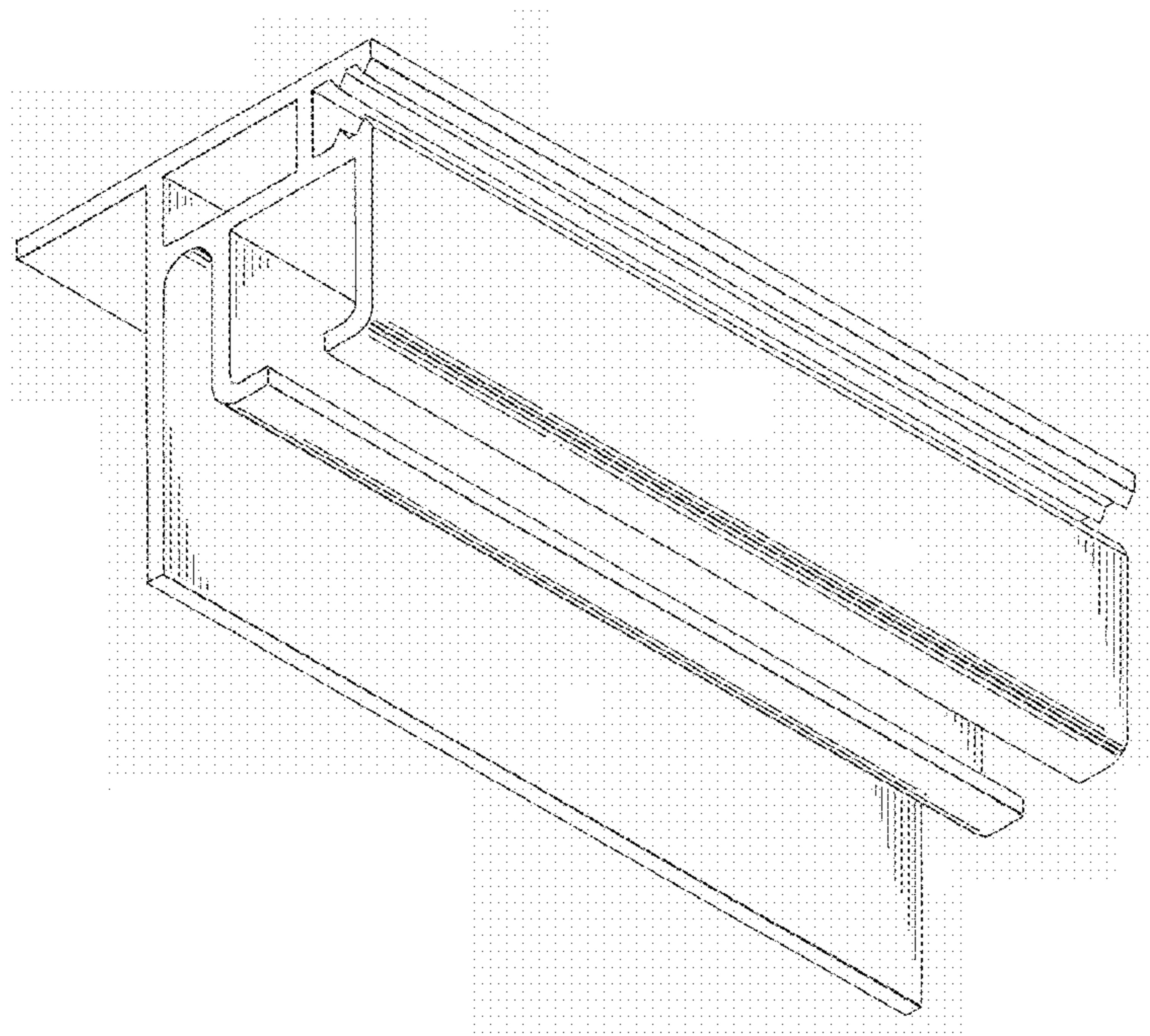


Fig.-1

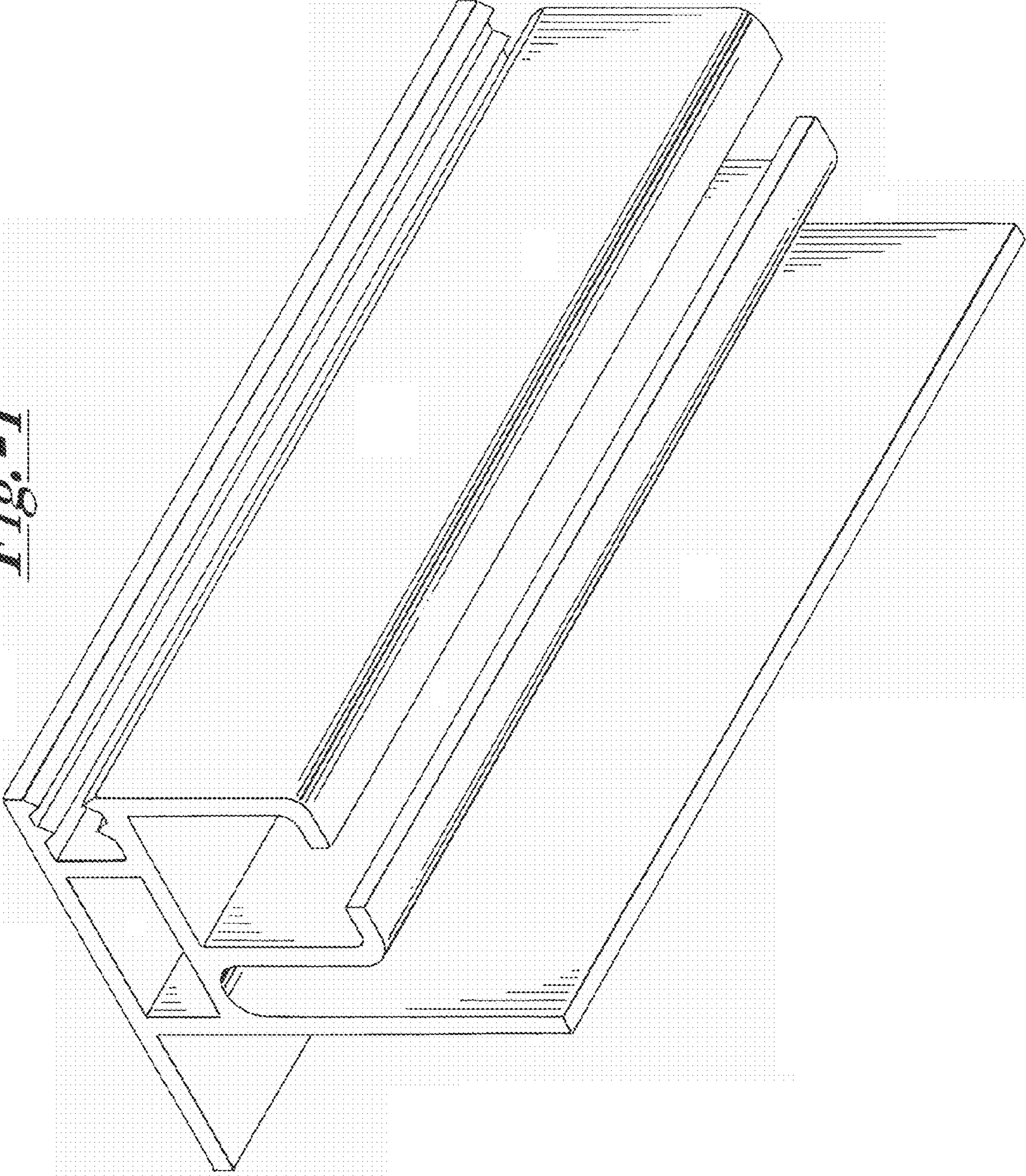
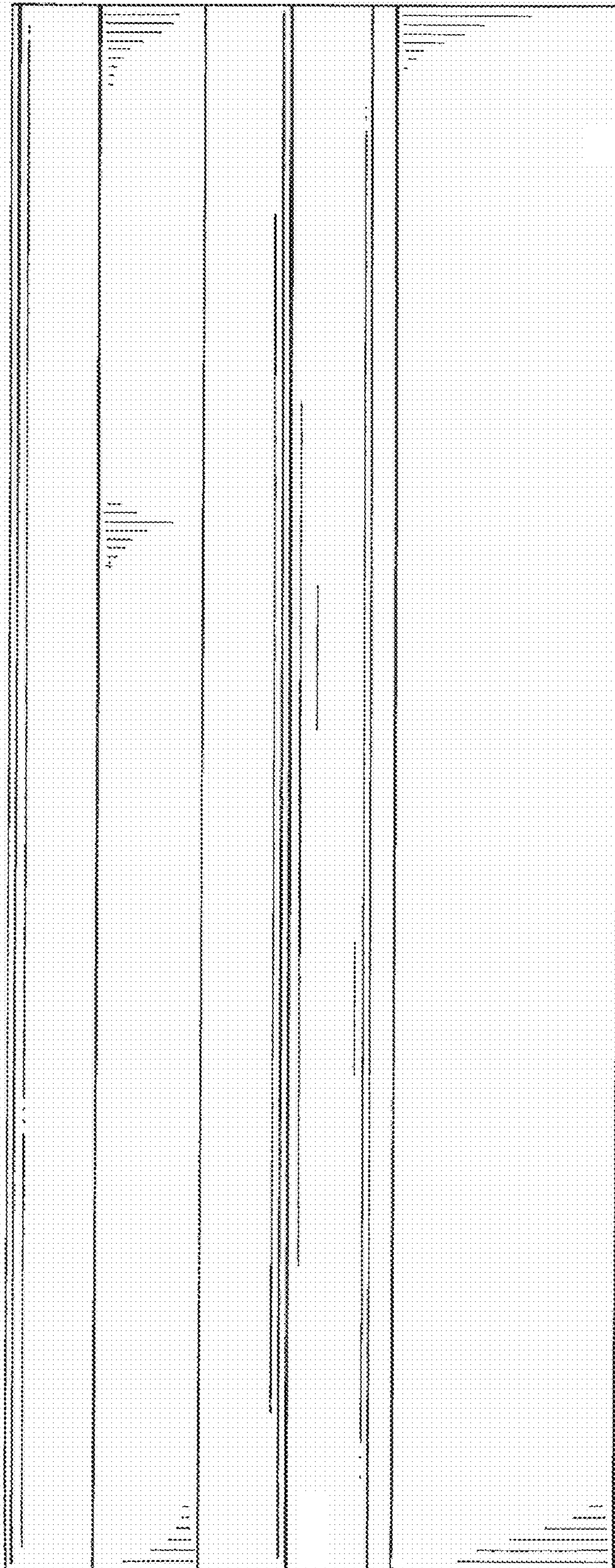


Fig. - 2



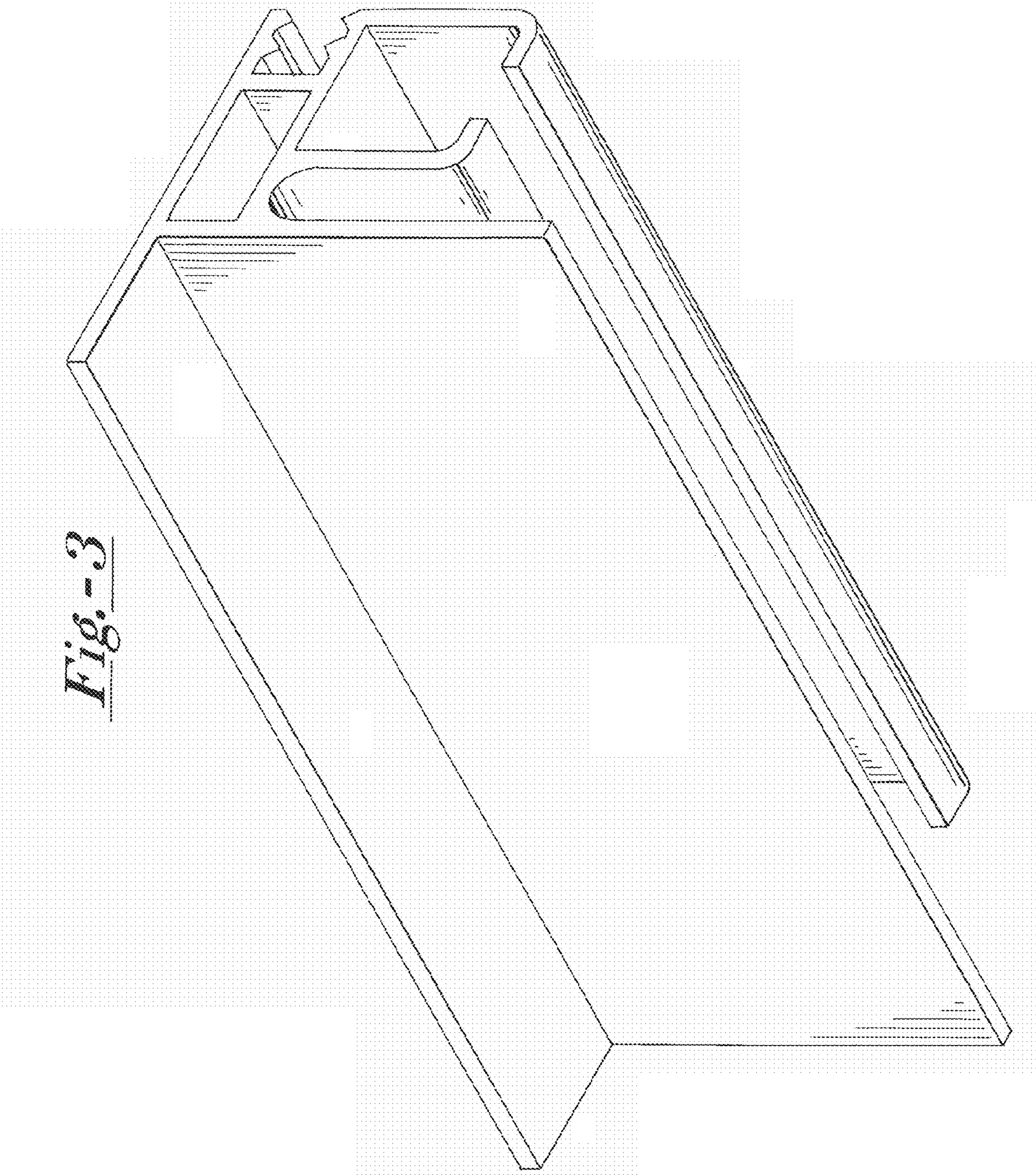


Fig. -3

Fig. - 4

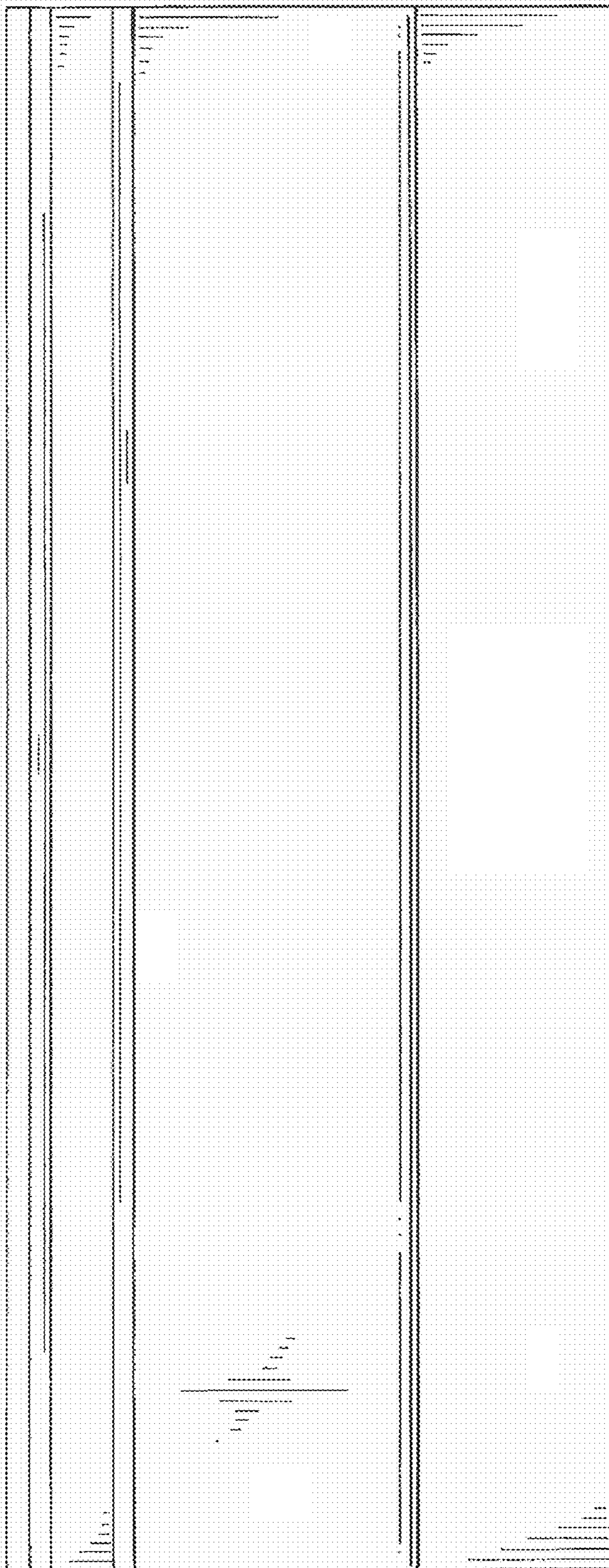
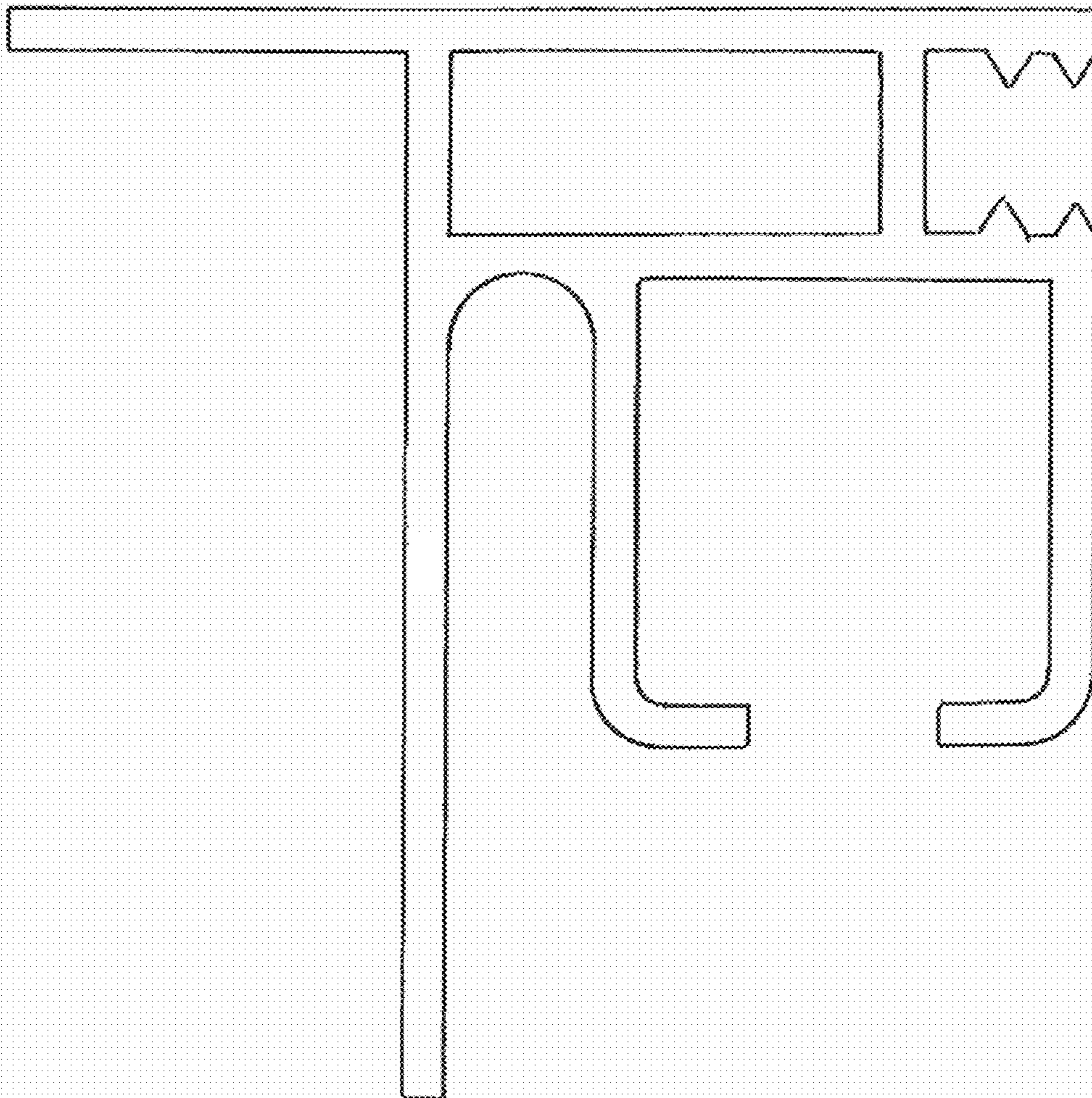


Fig.-5



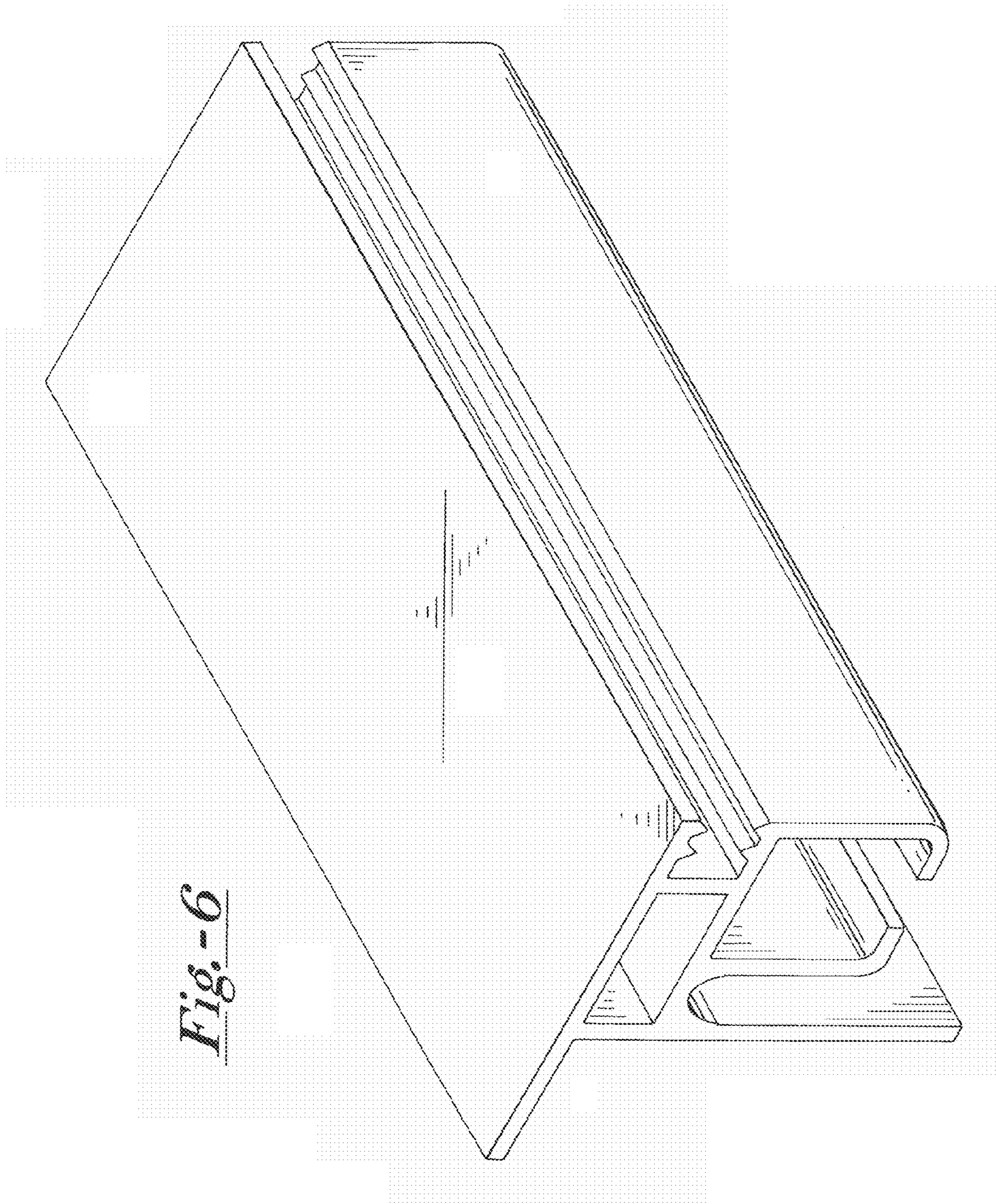


Fig.-6

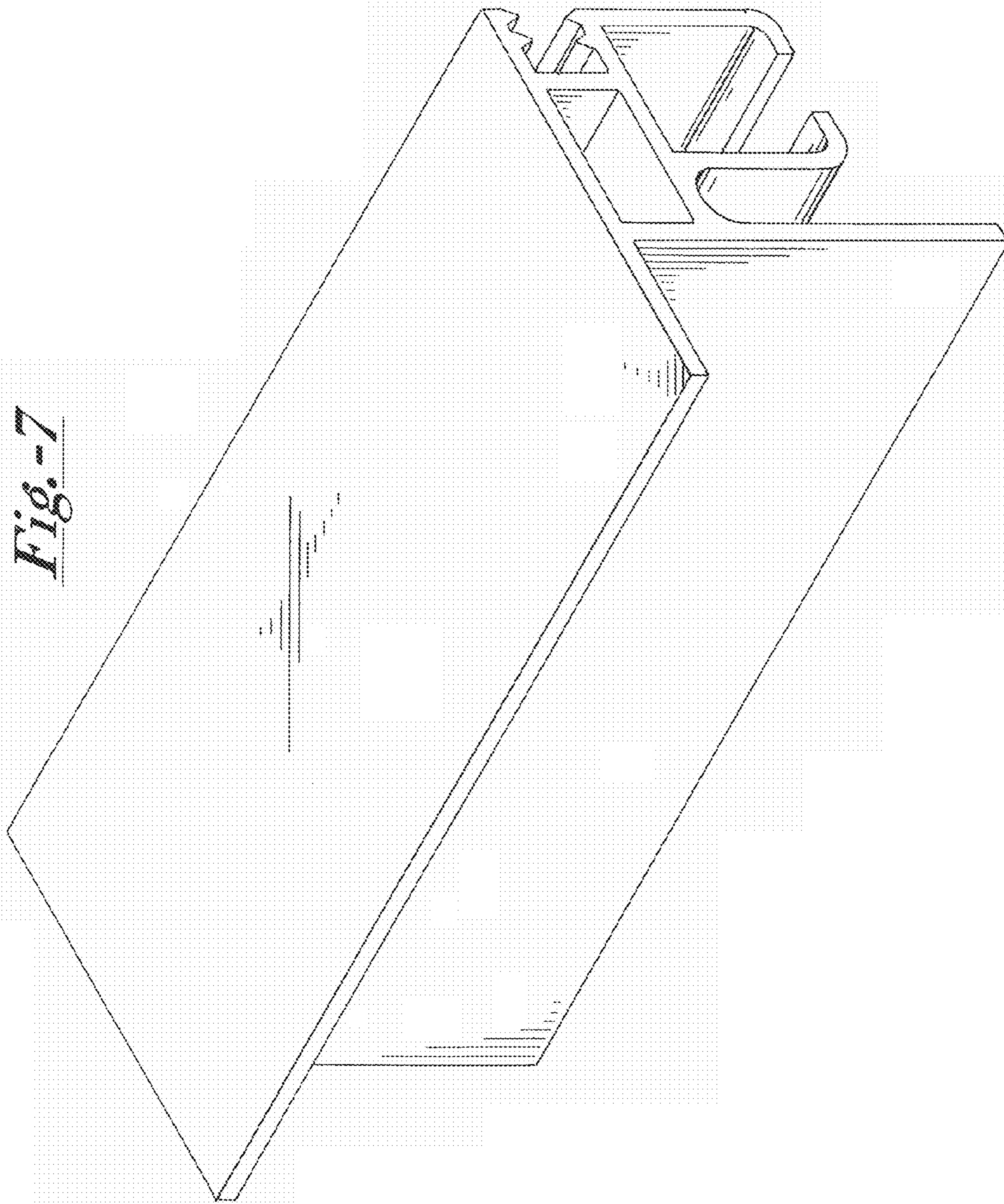


Fig. 7