



US00D602345S

(12) **United States Design Patent**  
**Veilleux et al.**

(10) **Patent No.:** **US D602,345 S**  
(45) **Date of Patent:** **\*\* Oct. 20, 2009**

(54) **SWIVEL HOOK**

D491,049 S \* 6/2004 Kung ..... D8/367  
D500,244 S \* 12/2004 Yoshiguchi ..... D8/367  
D579,763 S \* 11/2008 Uehara et al. .... D8/367

(75) Inventors: **David Veilleux**, Stillwater, MN (US);  
**Alain Moncade**, Montreal (CA)

\* cited by examiner

(73) Assignee: **152310 Canada**, Brossard (CA)

*Primary Examiner*—Robert M Spear

*Assistant Examiner*—Barbara B Lohr

(\*\*) Term: **14 Years**

(74) *Attorney, Agent, or Firm*—James A. Italia; Italia IP

(21) Appl. No.: **29/337,966**

(57) **CLAIM**

(22) Filed: **Jun. 2, 2009**

The ornamental design for a swivel hook, as shown and described.

(51) **LOC (9) Cl.** ..... **08-05**

(52) **U.S. Cl.** ..... **D8/367**

(58) **Field of Classification Search** ..... D8/367,  
D8/371, 373, 382; 205/253; 24/265, 265 H,  
24/298, 373, 598.4, 598.7, 599.1, 599.2,  
24/599.5, 599.6, 599.7, 599.8, 599.4, 600.1,  
24/601.2, 600.3, 600.9; 52/698; 248/328;  
472/118; 482/91; 294/82.1, 82.11, 1; 114/249;  
428/100

See application file for complete search history.

**DESCRIPTION**

FIG. 1 is a perspective view of a swivel hook, showing my new design;

FIG. 2 is a front elevational view of the invention;

FIG. 3 is a rear elevational view of the invention;

FIG. 4 is a left-side elevational view of the invention;

FIG. 5 is a right-side elevational view of the invention;

FIG. 6 is a bottom plan view of the invention;

FIG. 7 is a top plan view of the invention;

FIG. 8 is a perspective view of the invention, showing the device in an alternate position;

FIG. 9 is a perspective view of the invention, showing the device in an alternate position; and,

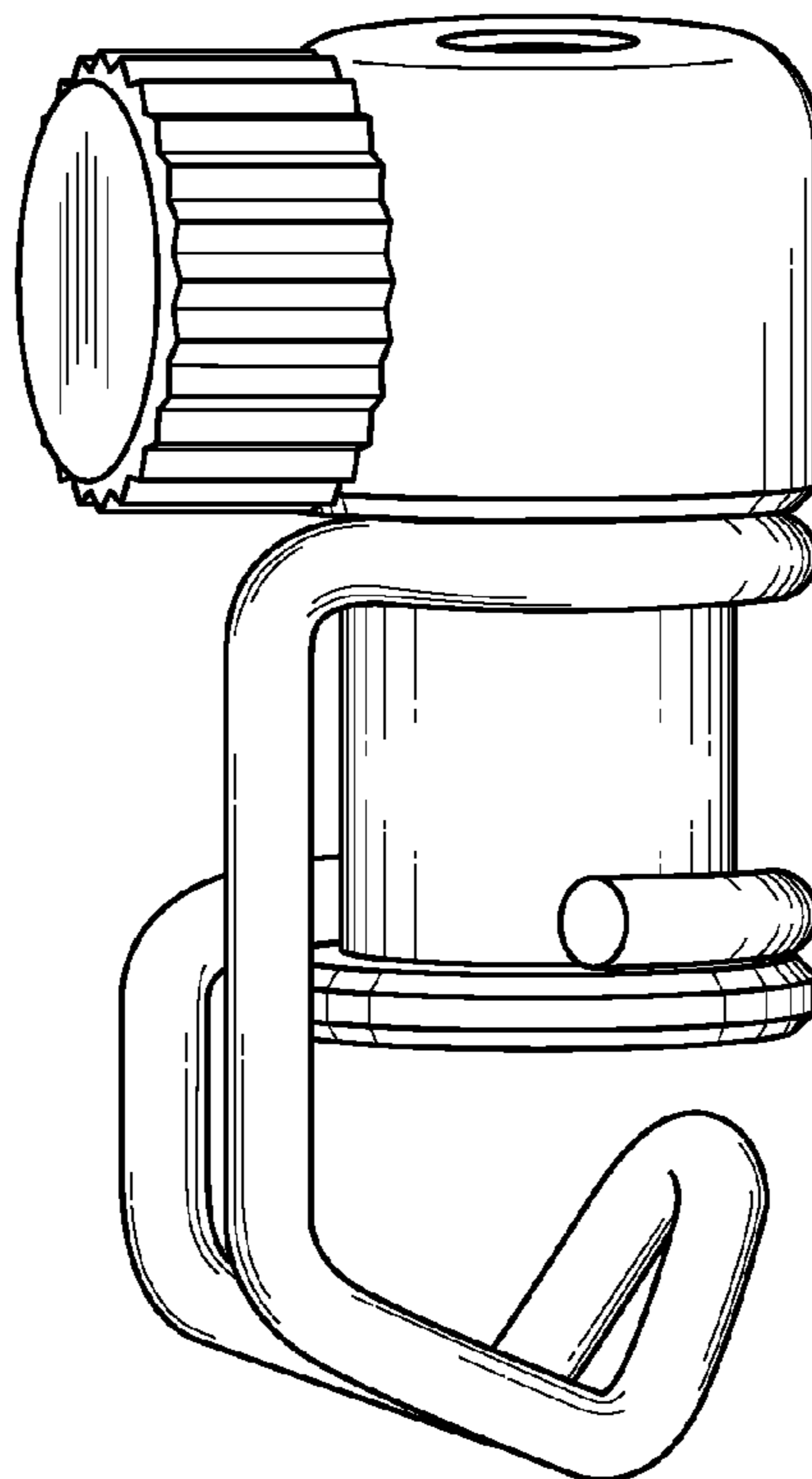
FIG. 10 is a perspective view of the invention, showing the device in an alternate position.

(56) **References Cited**

U.S. PATENT DOCUMENTS

D308,471 S \* 6/1990 Murai ..... D8/367  
D355,585 S \* 2/1995 Terada et al. .... D8/367  
5,398,389 A \* 3/1995 Terada et al. .... 24/599.8  
5,450,661 A \* 9/1995 Rekuc ..... 24/599.6  
5,533,934 A \* 7/1996 Miller ..... 472/118  
5,588,188 A \* 12/1996 Jermyn, Jr. .... 24/598.7  
D402,189 S \* 12/1998 Izumi ..... D8/382  
D472,452 S \* 4/2003 Chou ..... D8/367

**1 Claim, 4 Drawing Sheets**



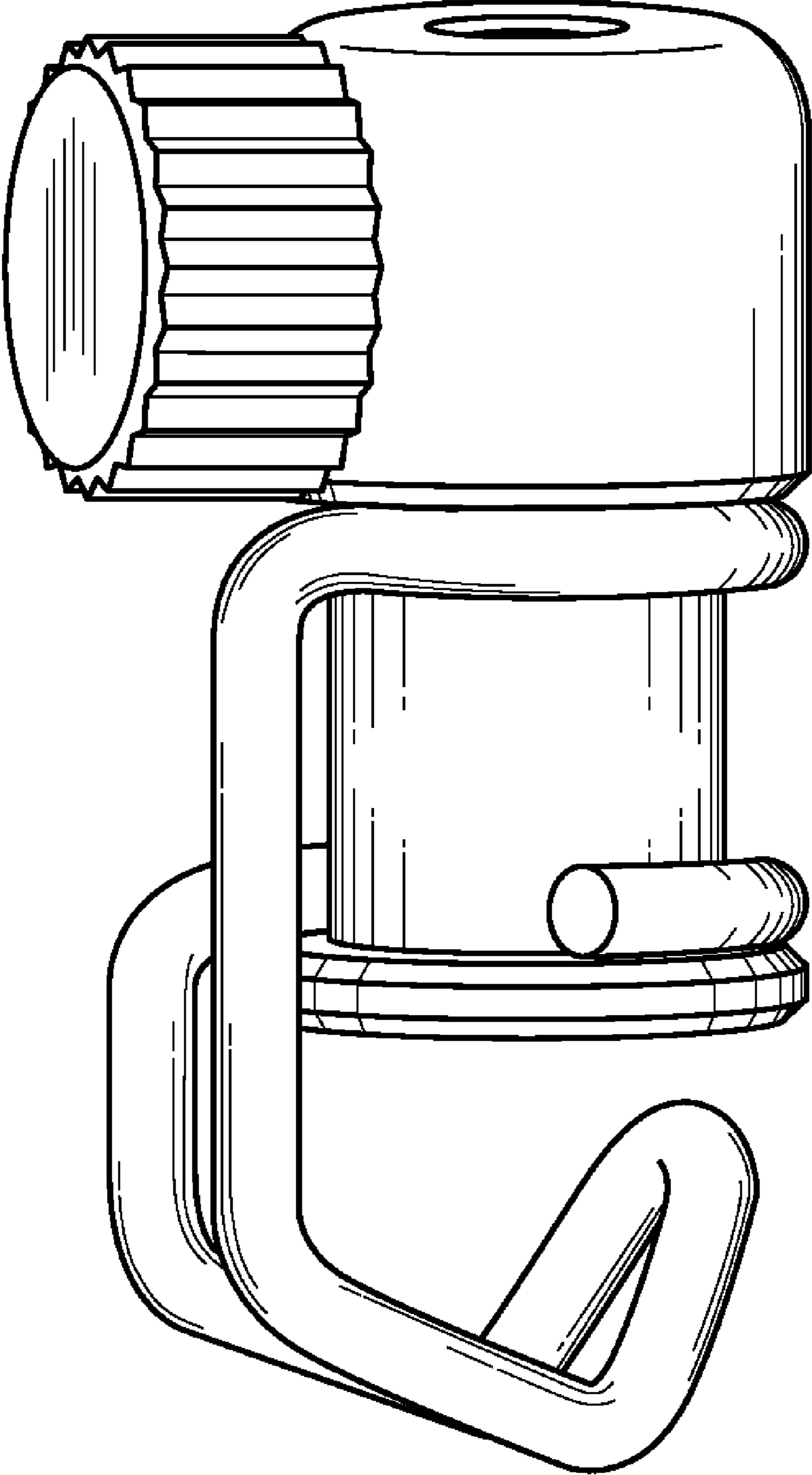


FIG. 1

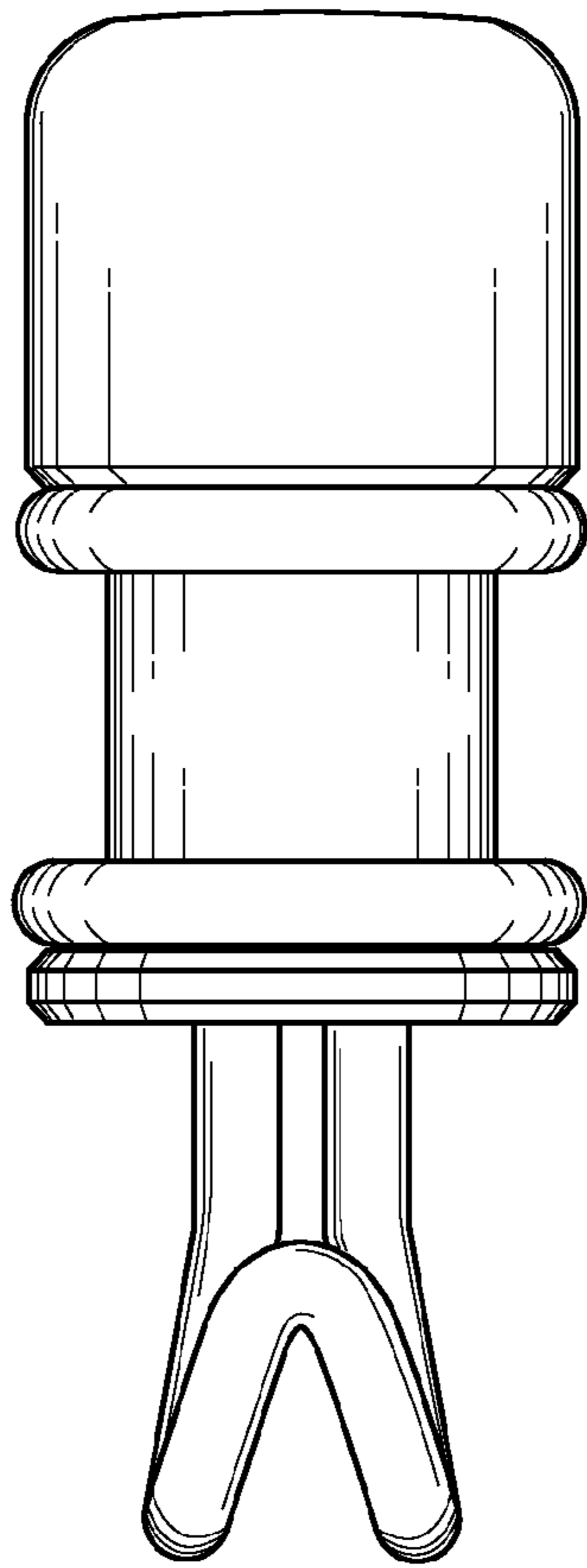


FIG. 2

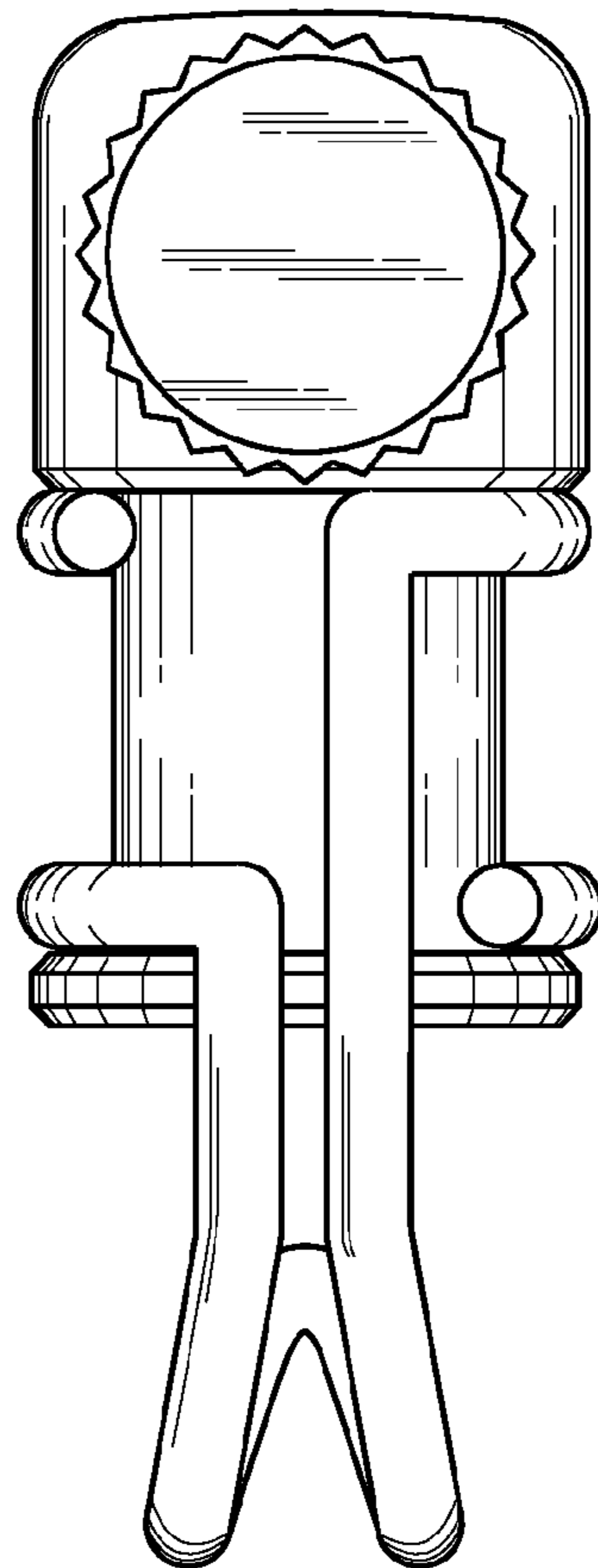


FIG. 3

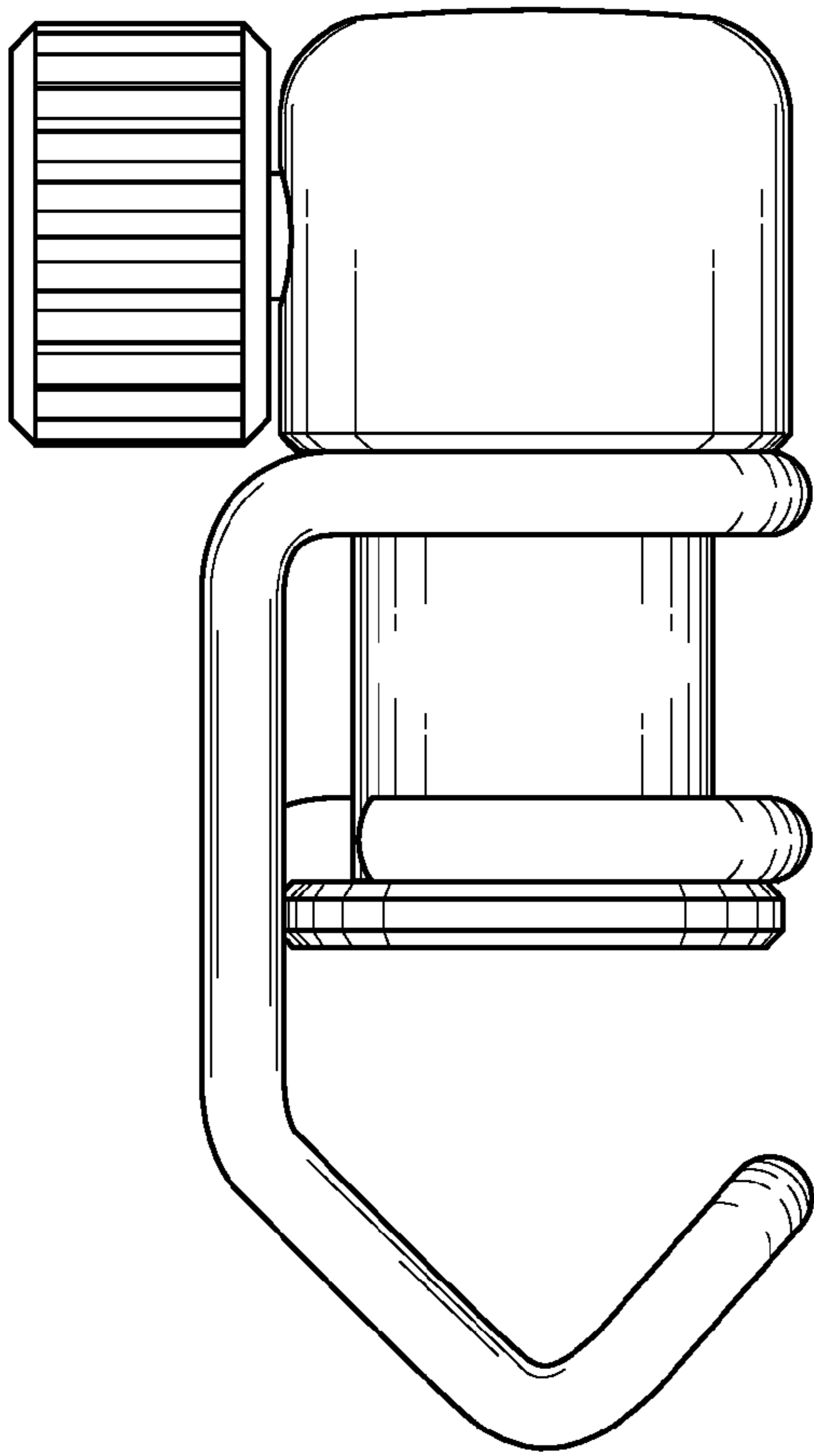


FIG. 4

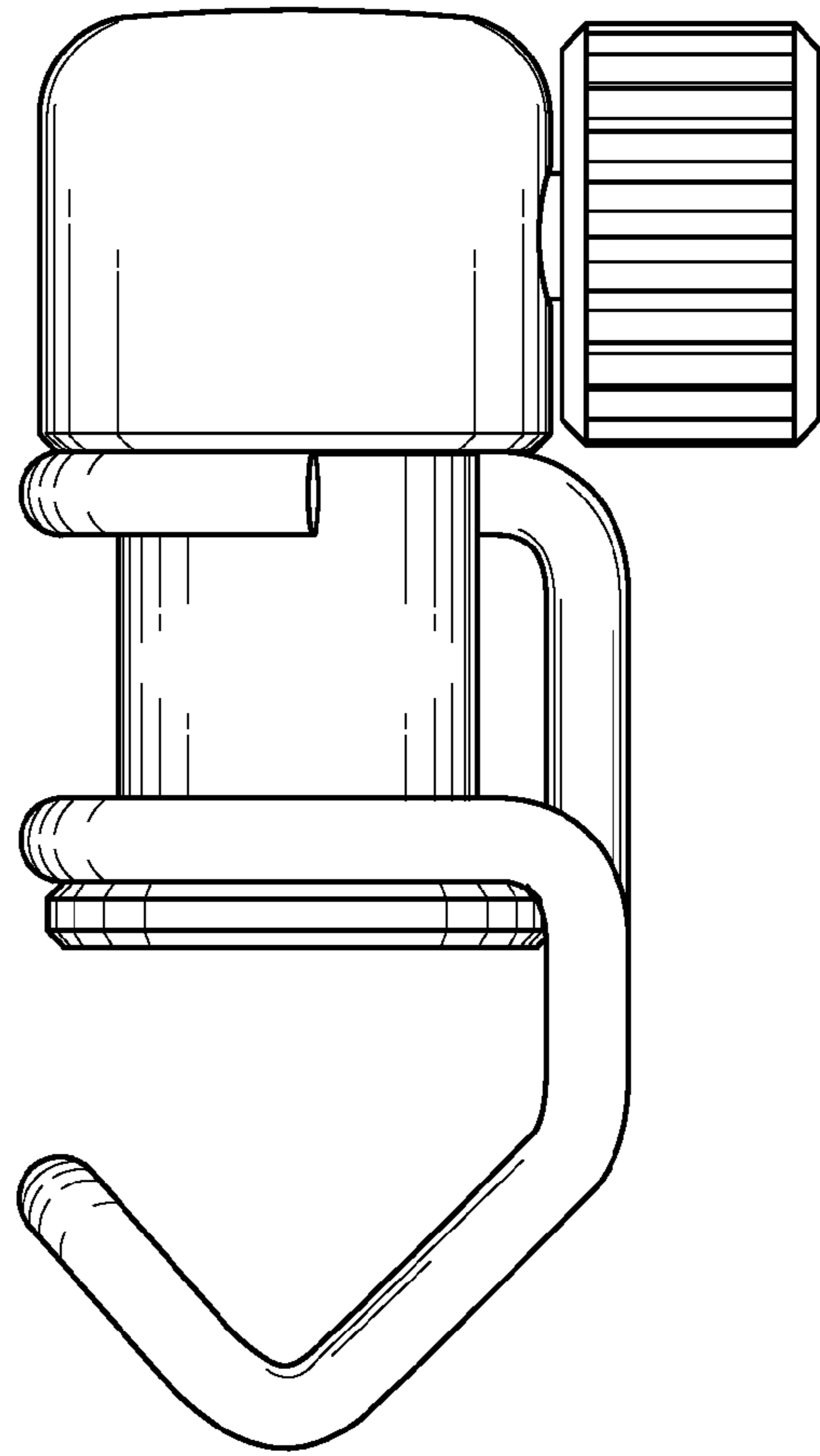


FIG. 5

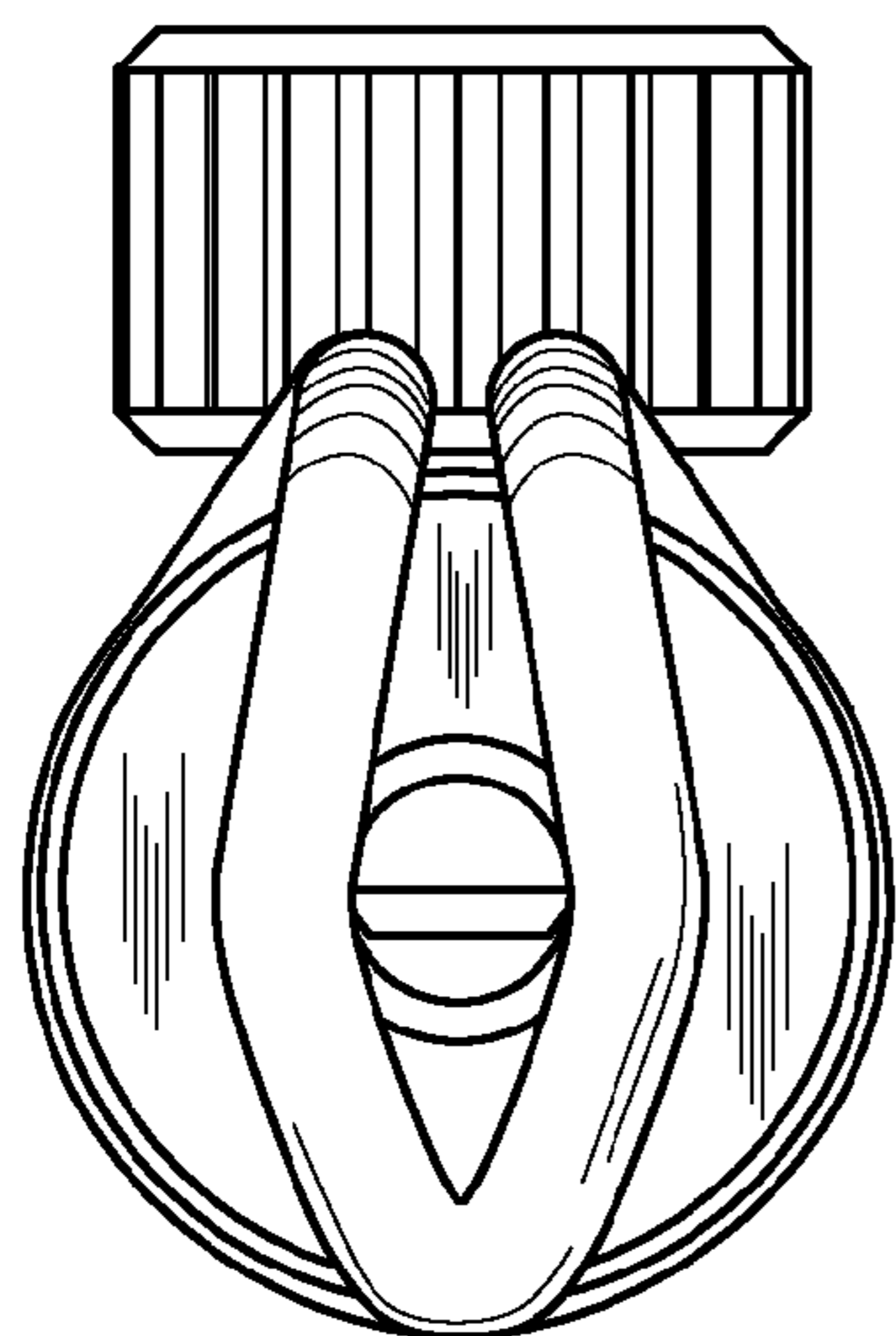


FIG. 6

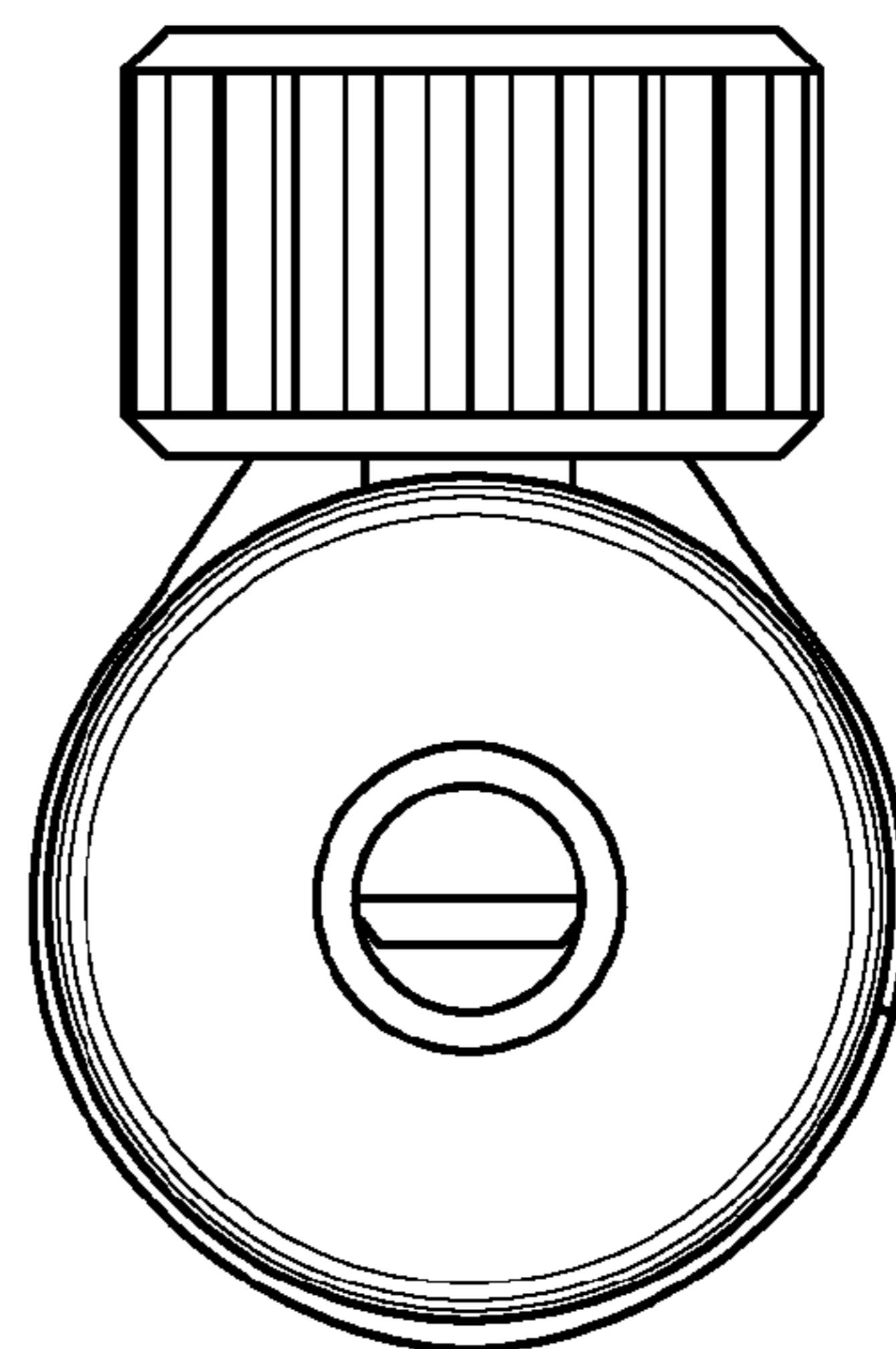


FIG. 7

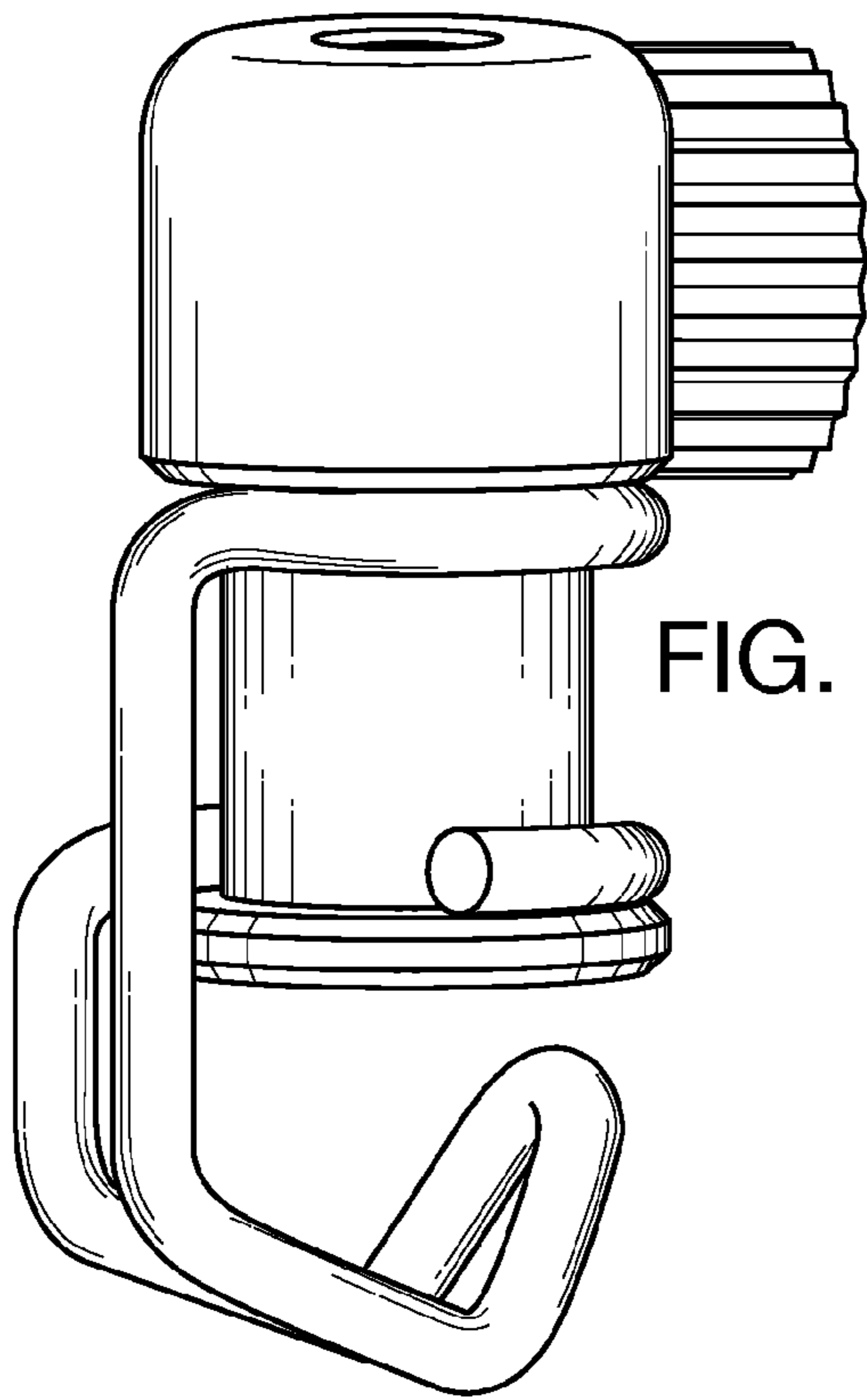


FIG. 8

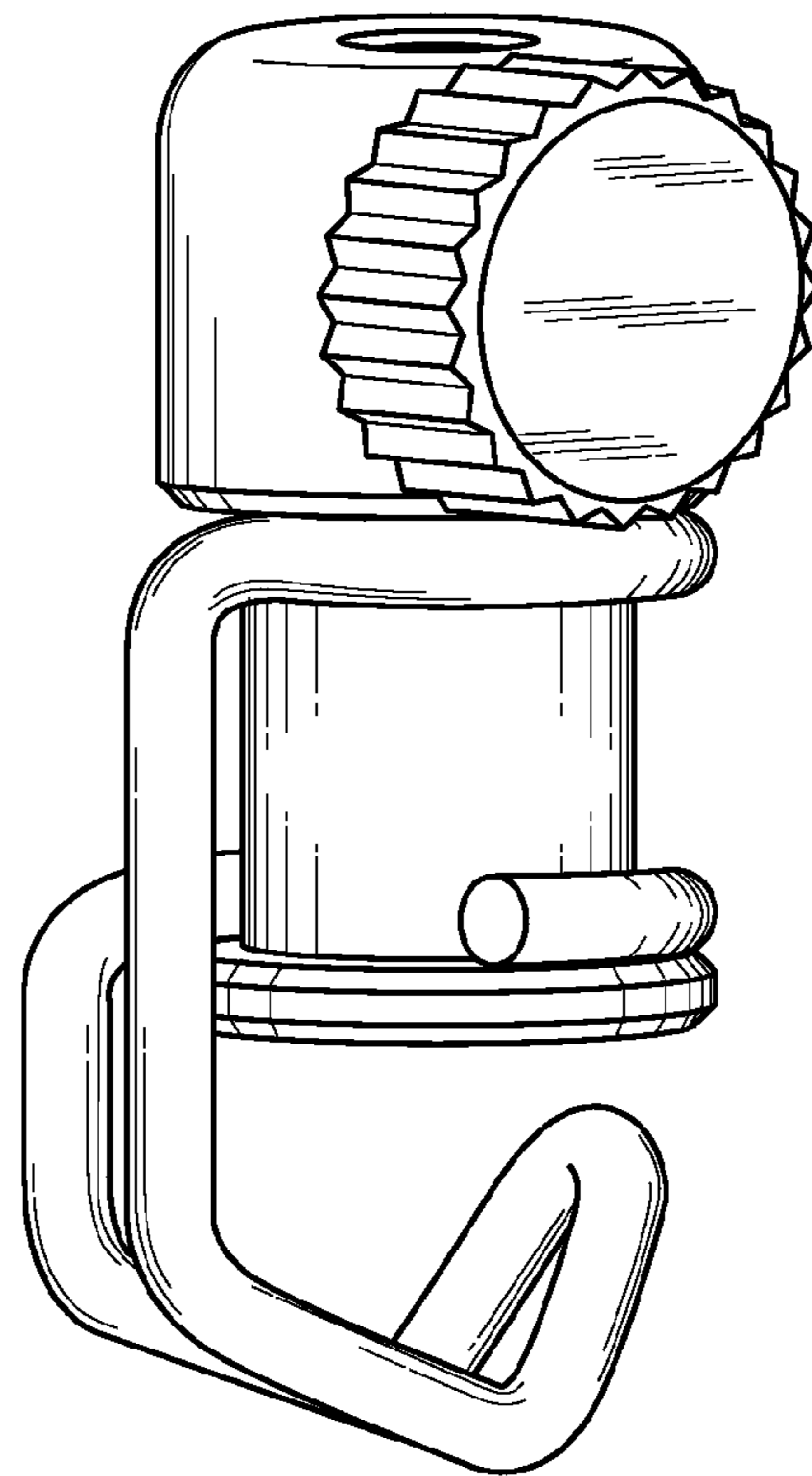


FIG. 9

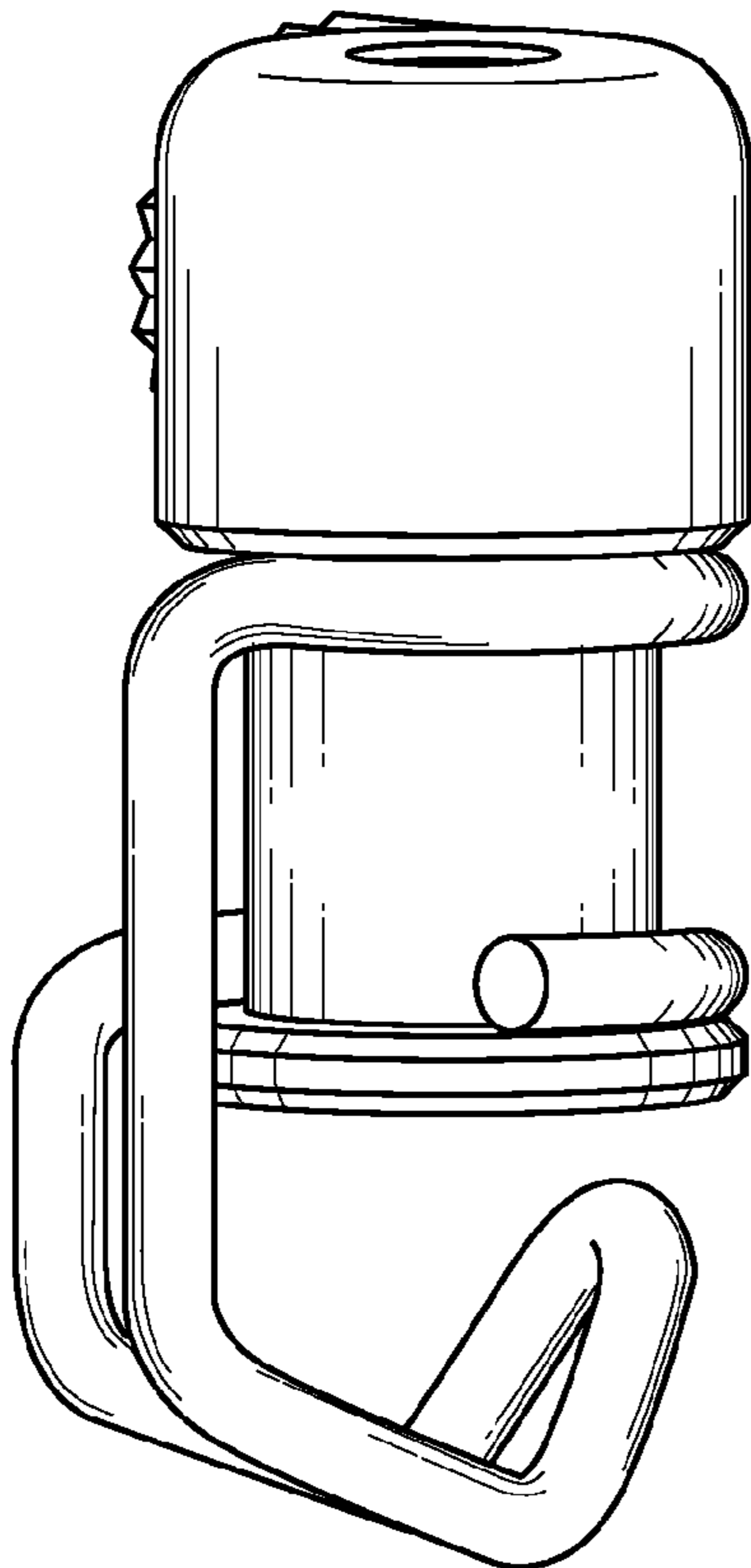


FIG. 10