



US00D602343S

(12) **United States Design Patent**
Olien

(10) **Patent No.:** **US D602,343 S**

(45) **Date of Patent:** **** Oct. 20, 2009**

(54) **TEE POST MOUNTING DEVICE**

2008/0107413 A1 5/2008 Moore

* cited by examiner

(76) Inventor: **Michael A. Olien**, 17431 Sweet Song Dr., Tomball, TX (US) 77377

Primary Examiner—Robert M Spear

Assistant Examiner—Barbara B Lohr

(**) Term: **14 Years**

(74) *Attorney, Agent, or Firm*—John Karl Buche; Buche & Associates, P.C.

(21) Appl. No.: **29/336,309**

(22) Filed: **Apr. 30, 2009**

(57) **CLAIM**

The ornamental design for a tee post mounting device, as shown and described.

(51) **LOC (9) Cl.** **08-05**

(52) **U.S. Cl.** **D8/363**

(58) **Field of Classification Search** D8/363,
D8/367, 371, 373, 382; 205/253; 24/265,
24/265 H, 298, 373, 598.4, 598.7, 599.1,
24/599.2, 599.5, 599.6, 599.7, 599.8, 599.4,
24/600.1, 601.2, 600.3, 600.9; 52/698; 248/328;
472/118; 482/91; 294/82.1, 82.11, 1; 114/249;
428/100

See application file for complete search history.

DESCRIPTION

FIG. 1 is a front perspective view of a tee post mounting device showing my new design, wherein the features shown in broken lines depict environmental subject matter only and form no part of the claimed design;

FIG. 2 is a bottom view of the same, wherein the features shown in broken lines depict environmental subject matter only and form no part of the claimed design;

FIG. 3 is a top view of the same;

FIG. 4 is a right side elevational view of the same, wherein the features shown in broken lines depict environmental subject matter only and form no part of the claimed design;

FIG. 5 is a left side elevational view of the same;

FIG. 6 is a front elevational view of the same, wherein the features shown in broken lines depict environmental subject matter only and form no part of the claimed design;

FIG. 7 is a back elevational view of the same, wherein the features shown in broken lines depict environmental subject matter only and form no part of the claimed design; and,

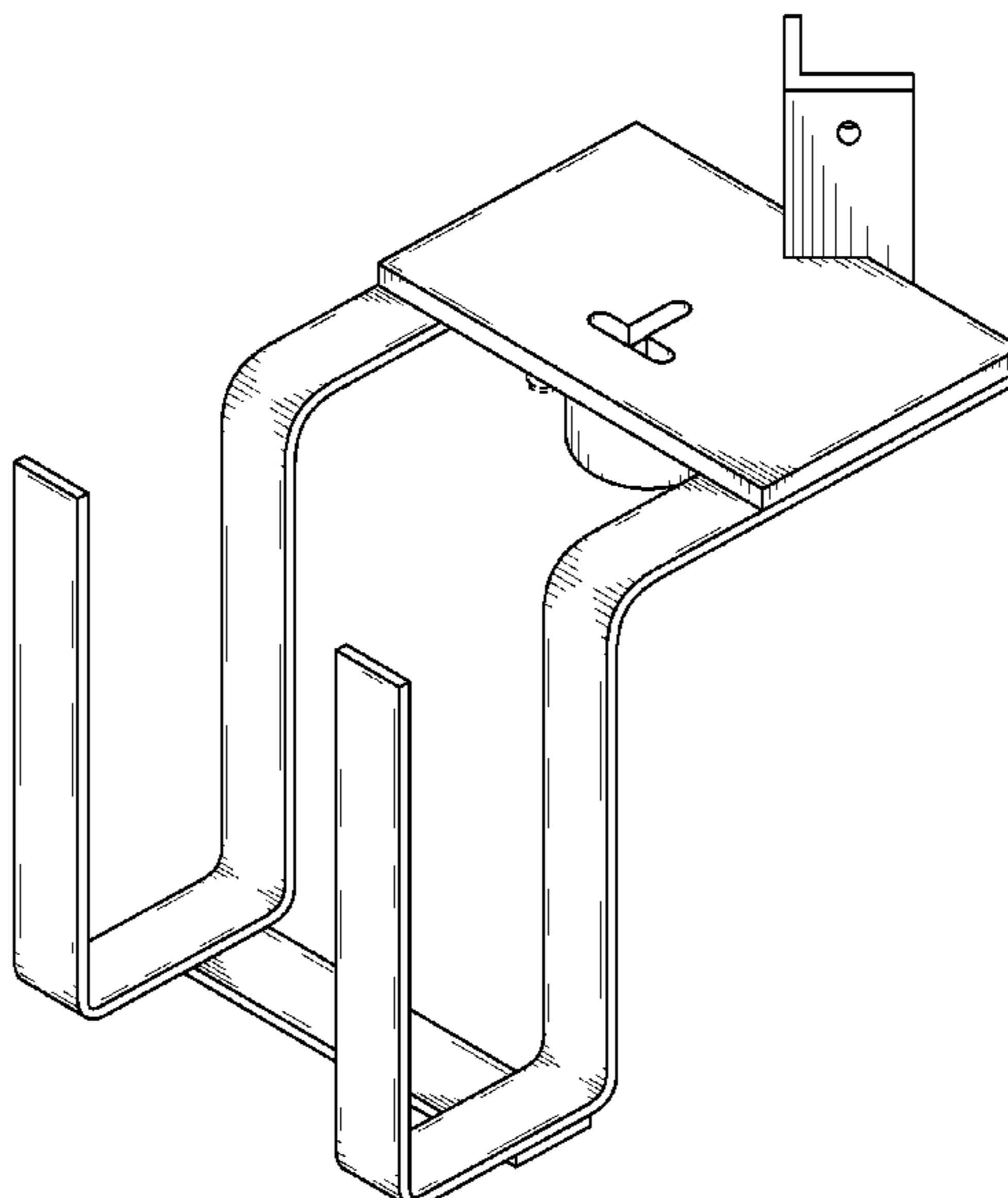
FIG. 8 is a front perspective view of the tee post mounting device wherein the features shown in broken lines depict environmental subject matter only and form no part of the claimed design.

(56) **References Cited**

U.S. PATENT DOCUMENTS

| | | | |
|-----------------|---------|---------------|----------|
| 4,687,170 A | 8/1987 | Beaver | |
| D308,471 S * | 6/1990 | Murai | D8/367 |
| D355,585 S * | 2/1995 | Terada et al. | D8/367 |
| 5,398,389 A * | 3/1995 | Terada et al. | 24/599.8 |
| 5,450,661 A * | 9/1995 | Rekuc | 24/599.6 |
| 5,533,934 A * | 7/1996 | Miller | 472/118 |
| 5,588,188 A * | 12/1996 | Jermyn, Jr. | 24/598.7 |
| D402,189 S * | 12/1998 | Izumi | D8/382 |
| D472,452 S * | 4/2003 | Chou | D8/367 |
| D491,049 S * | 6/2004 | Kung | D8/367 |
| D500,244 S * | 12/2004 | Yoshiguchi | D8/367 |
| 7,440,027 B2 | 10/2008 | Weaver | |
| D579,763 S * | 11/2008 | Uehara et al. | D8/367 |
| 2005/0265711 A1 | 12/2005 | Heibel | |

1 Claim, 8 Drawing Sheets



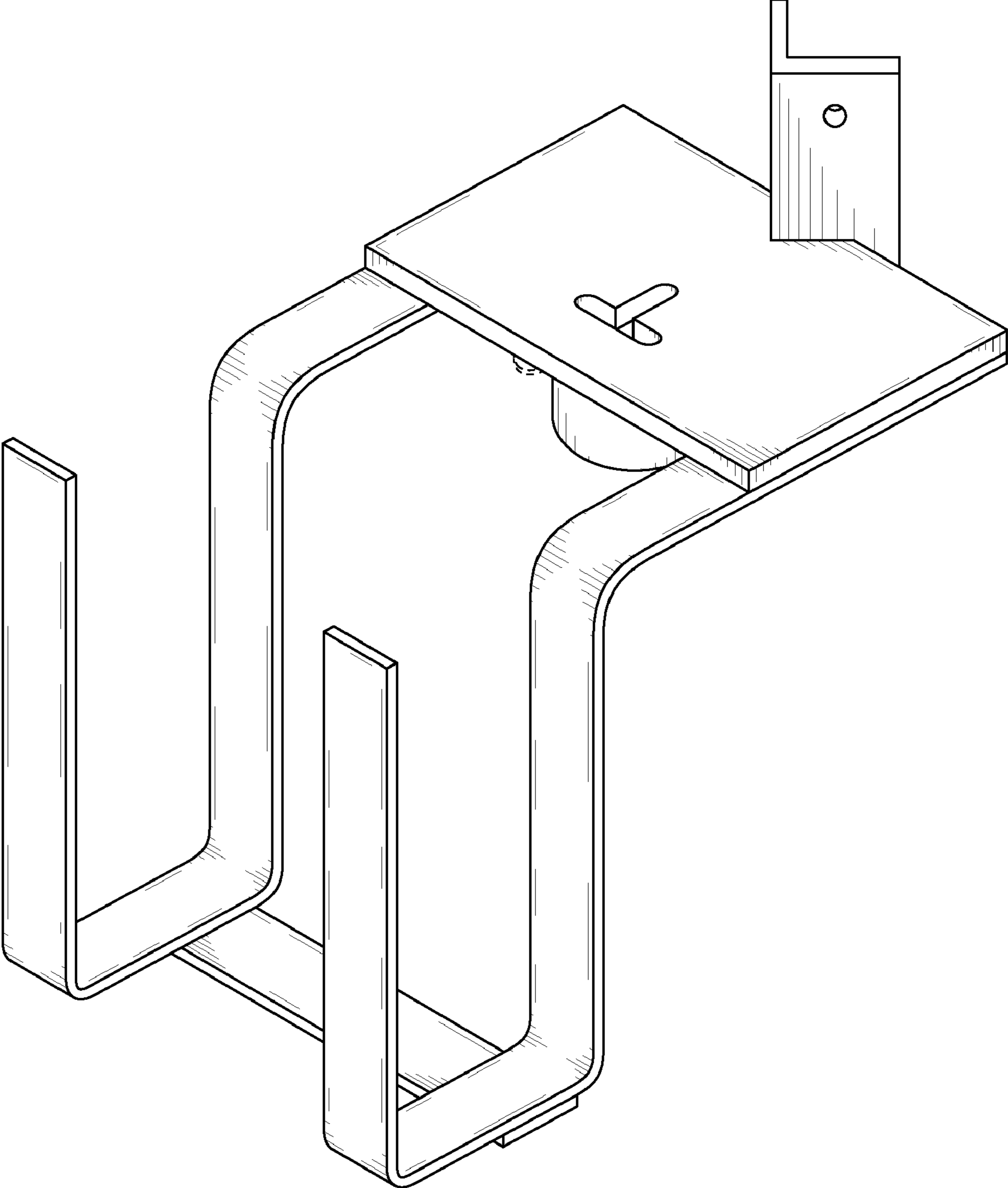


FIG. 1

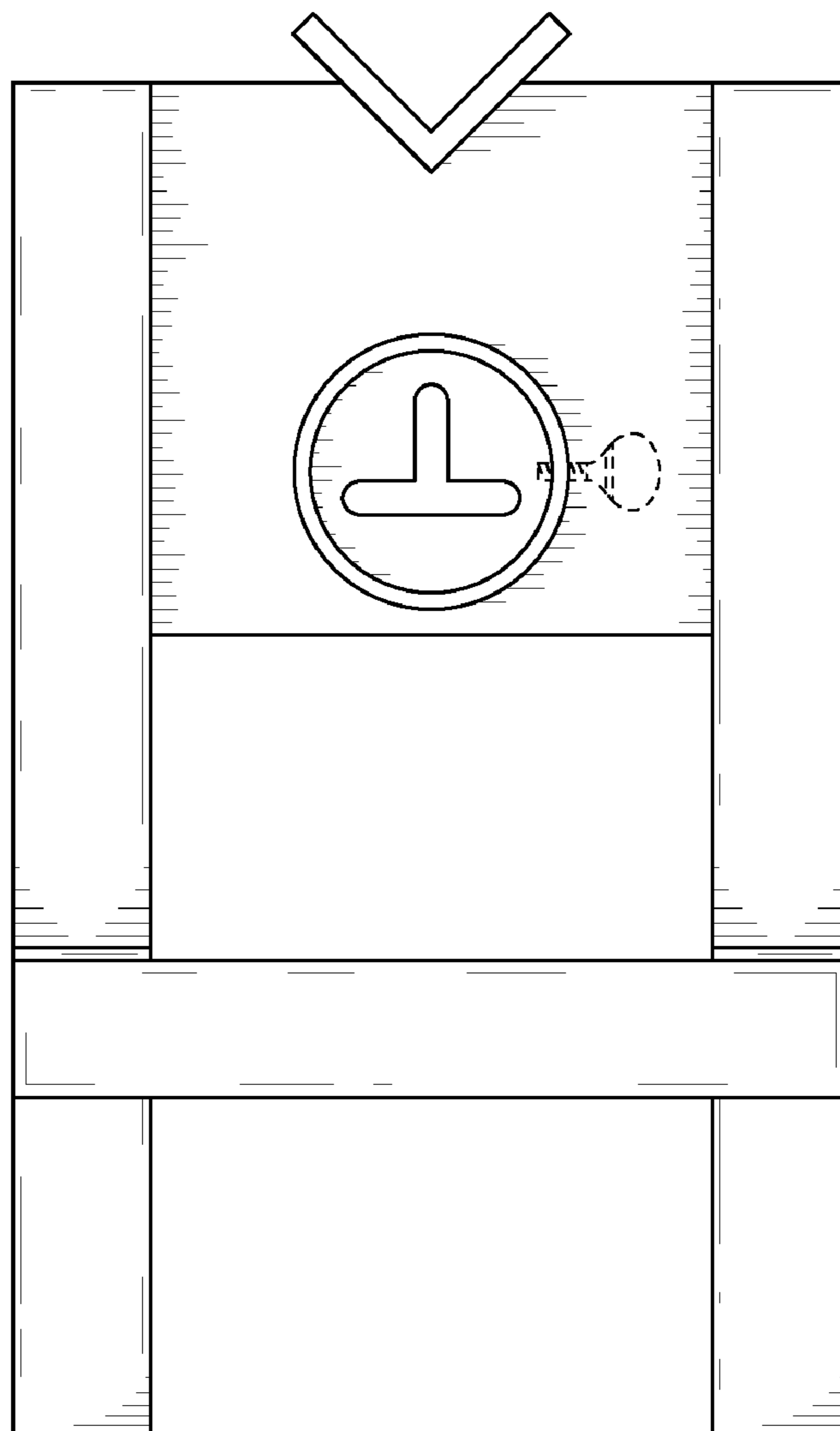


FIG. 2

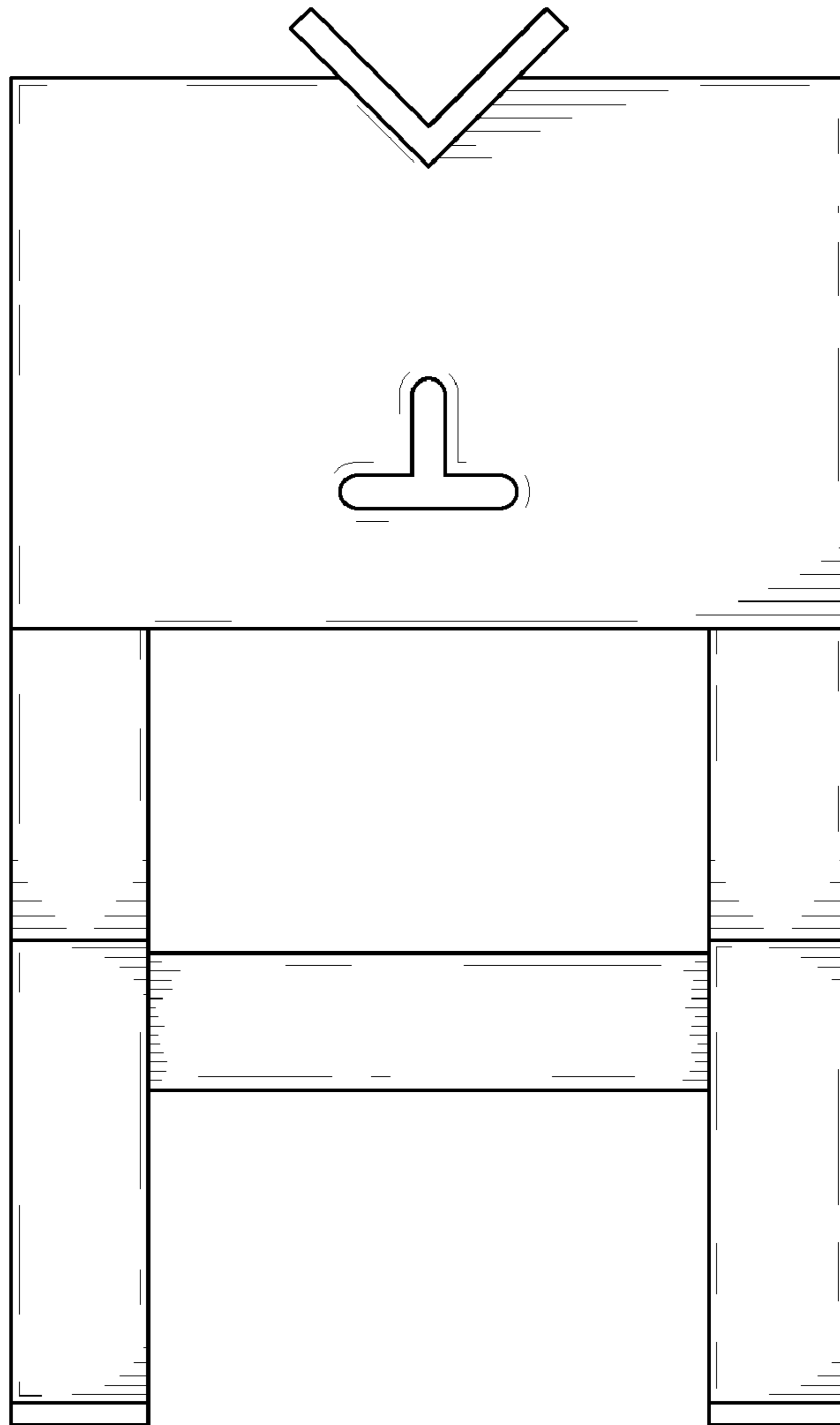


FIG. 3

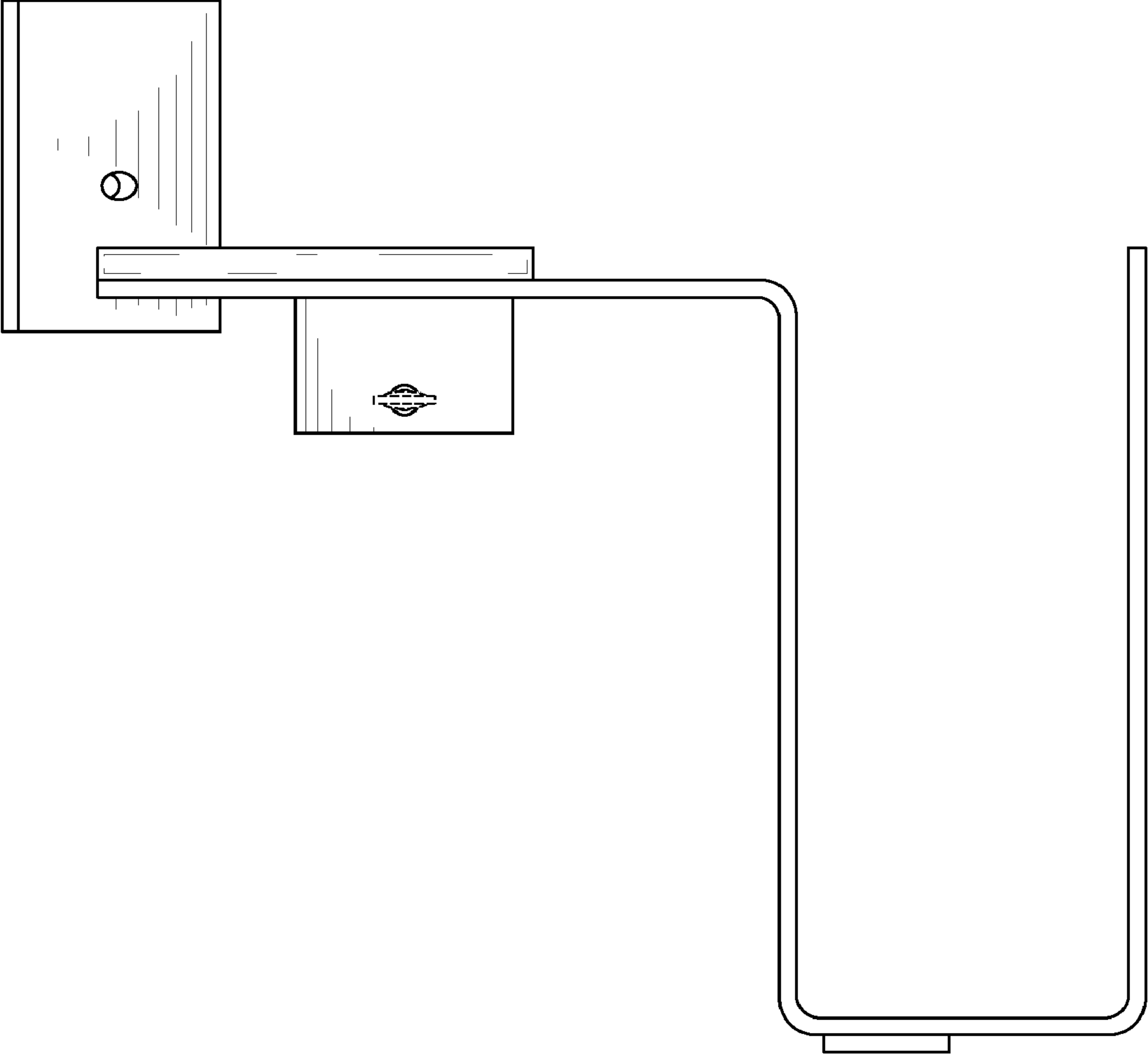


FIG. 4

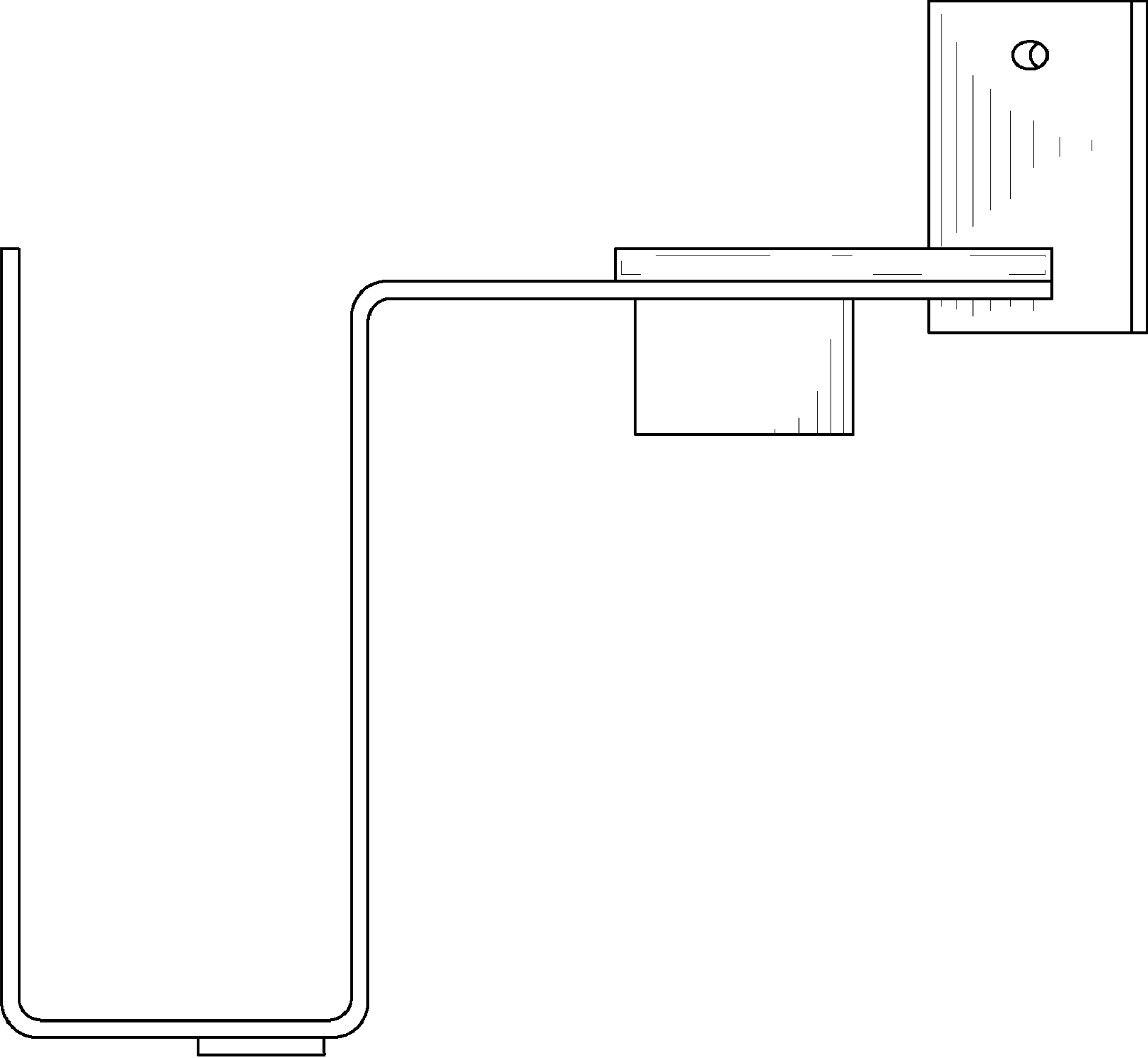


FIG. 5

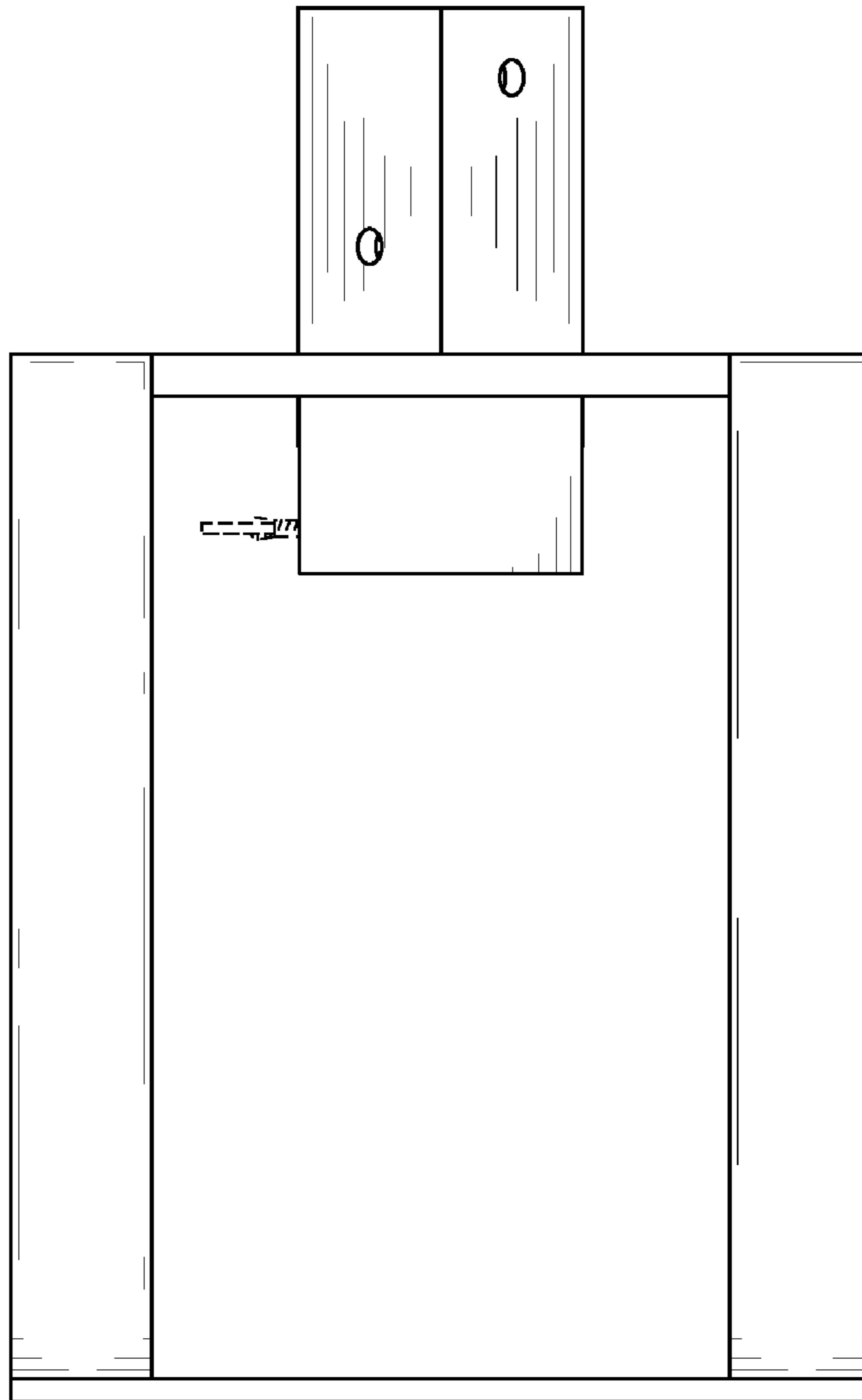


FIG. 6

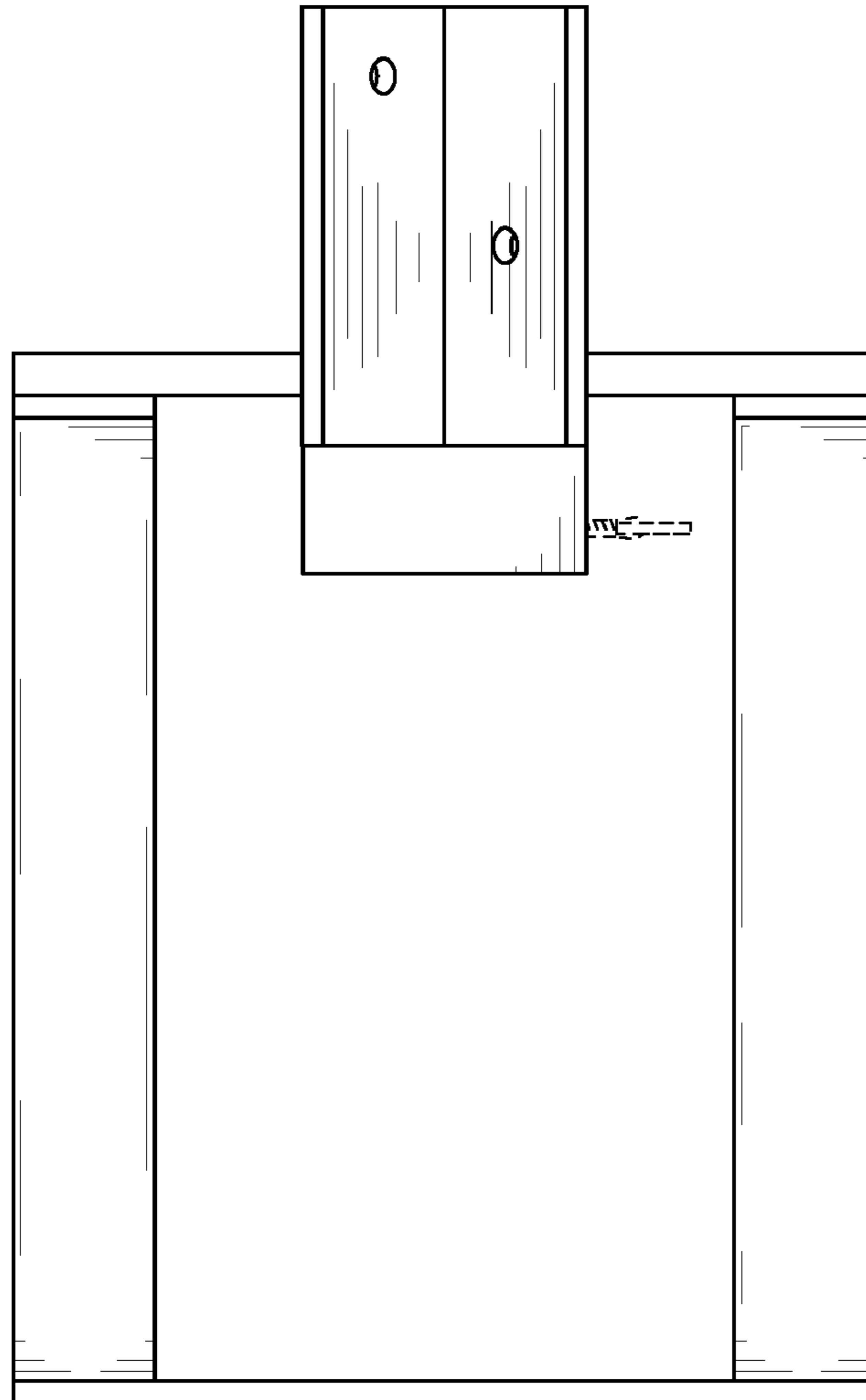


FIG. 7

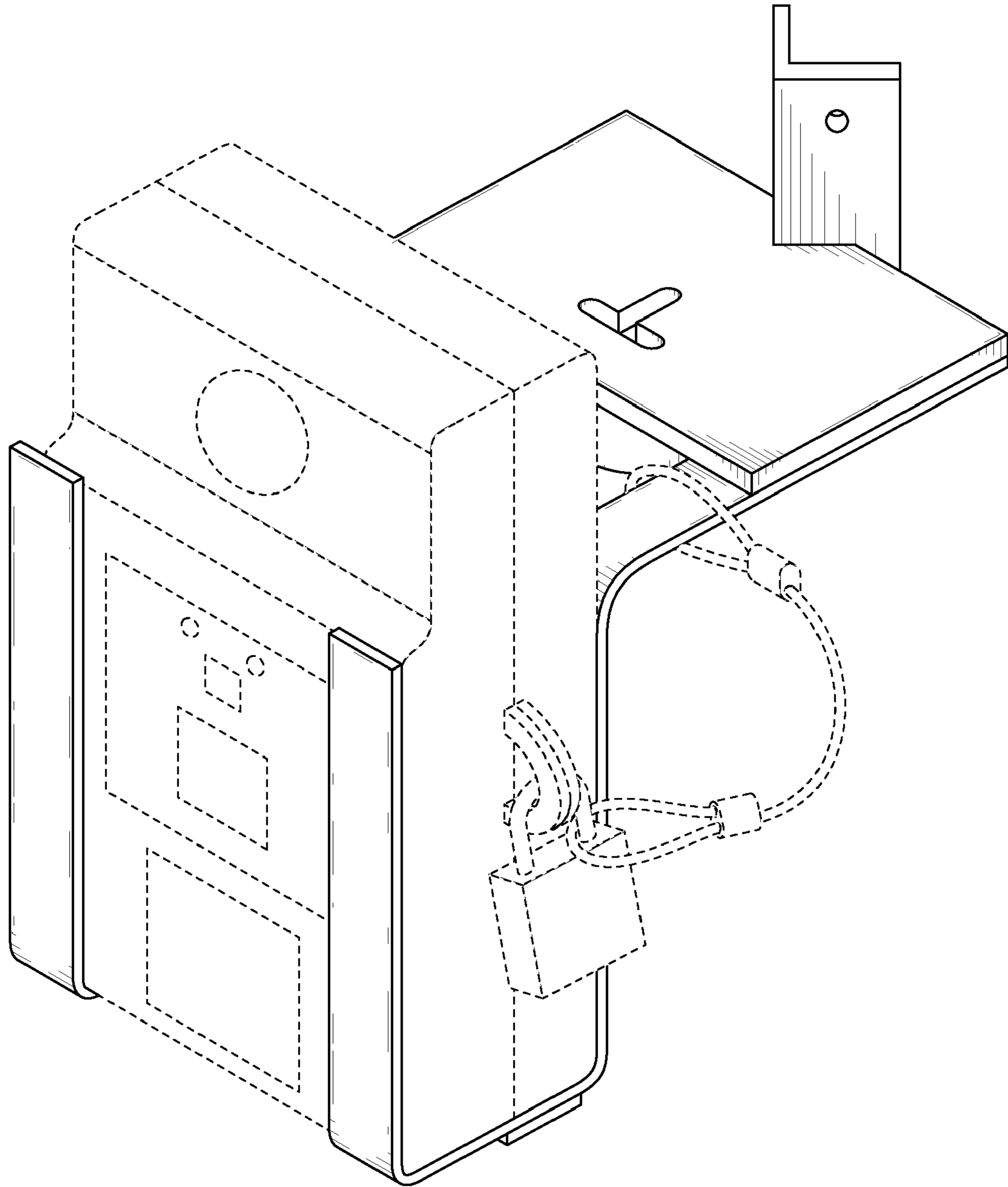


FIG. 8