



US00D602342S

(12) **United States Design Patent**
Brassard

(10) **Patent No.:** **US D602,342 S**

(45) **Date of Patent:** **** Oct. 20, 2009**

(54) **MOUNTING APPARATUS**

(57) **CLAIM**

(76) **Inventor:** **Paul Brassard**, 20 La Porte, Arcadia,
CA (US) 91006

The ornamental design for mounting apparatus, as shown.

(**) **Term:** **14 Years**

DESCRIPTION

(21) **Appl. No.:** **29/293,666**

FIG. 1 is a front perspective view of a mounting apparatus showing my new design;

(22) **Filed:** **Dec. 5, 2007**

FIG. 2 is a rear perspective view thereof;

(51) **LOC (9) Cl.** **08-05**

FIG. 3 is a front view thereof;

(52) **U.S. Cl.** **D8/363; D14/452**

FIG. 4 is a rear view thereof;

(58) **Field of Classification Search** **D8/349,**
D8/354, 363; 248/278.1, 284.1; D14/451-452

FIG. 5 is a right side view thereof;

FIG. 6 is a left side view thereof;

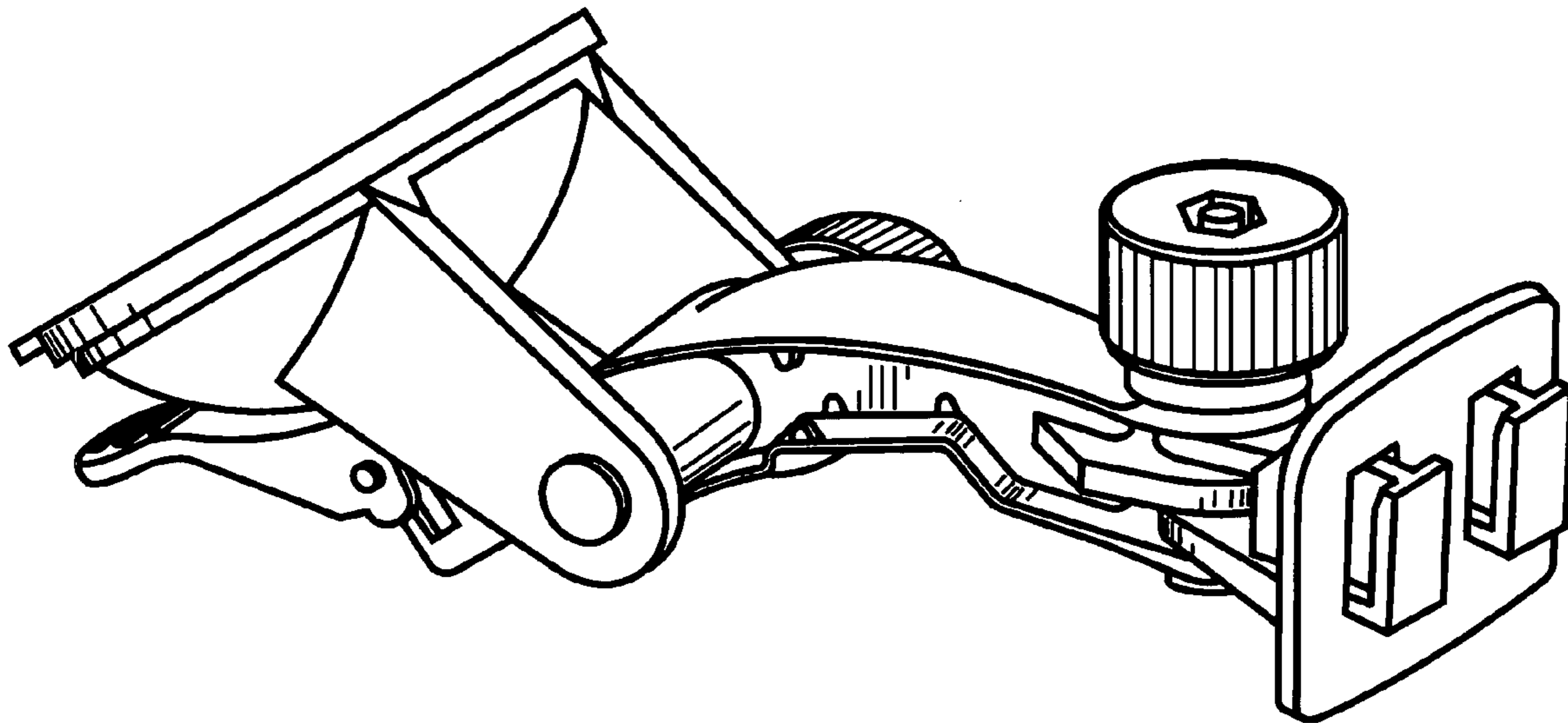
See application file for complete search history.

FIG. 7 is a top plan view thereof; and,

FIG. 8 is a bottom view thereof.

Primary Examiner—Holly H Baynham

1 Claim, 5 Drawing Sheets



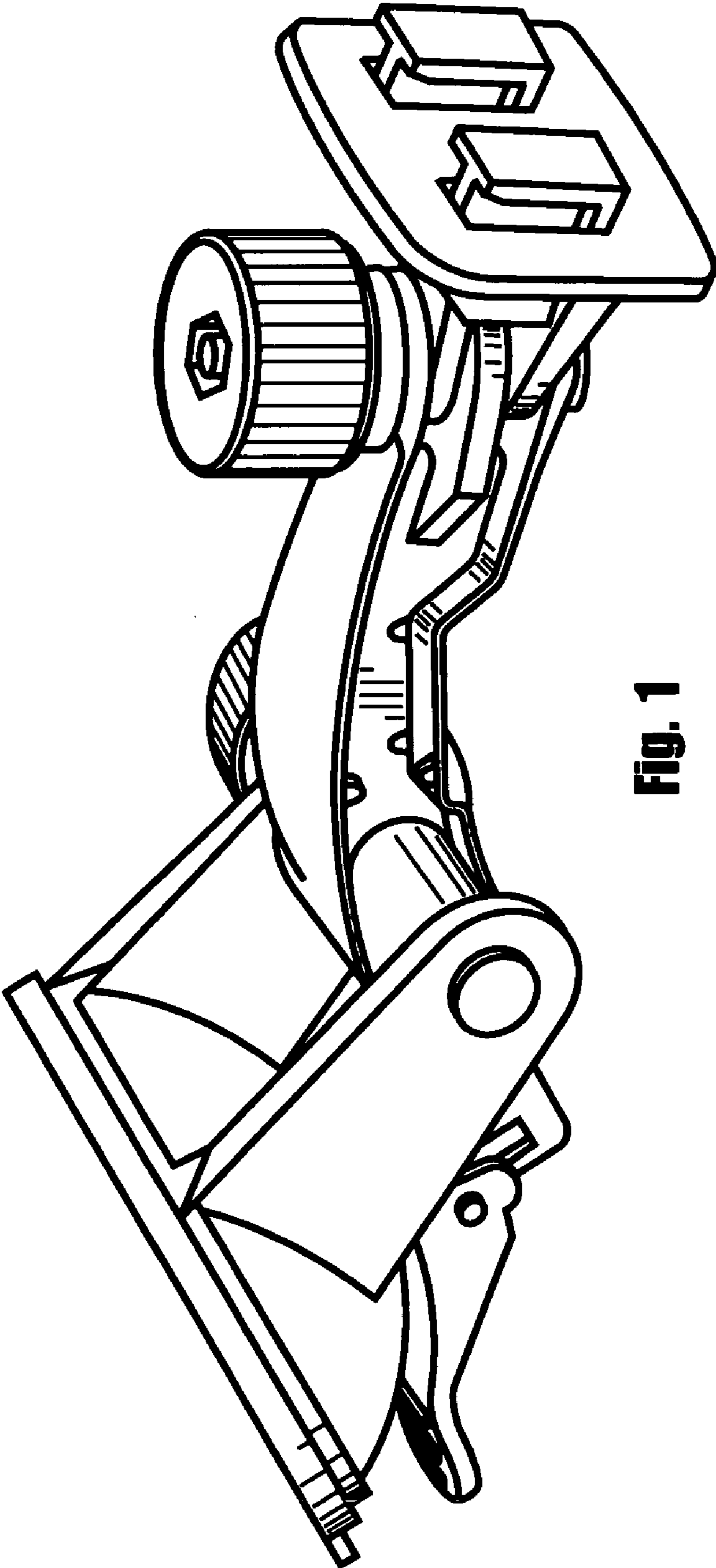


Fig. 1

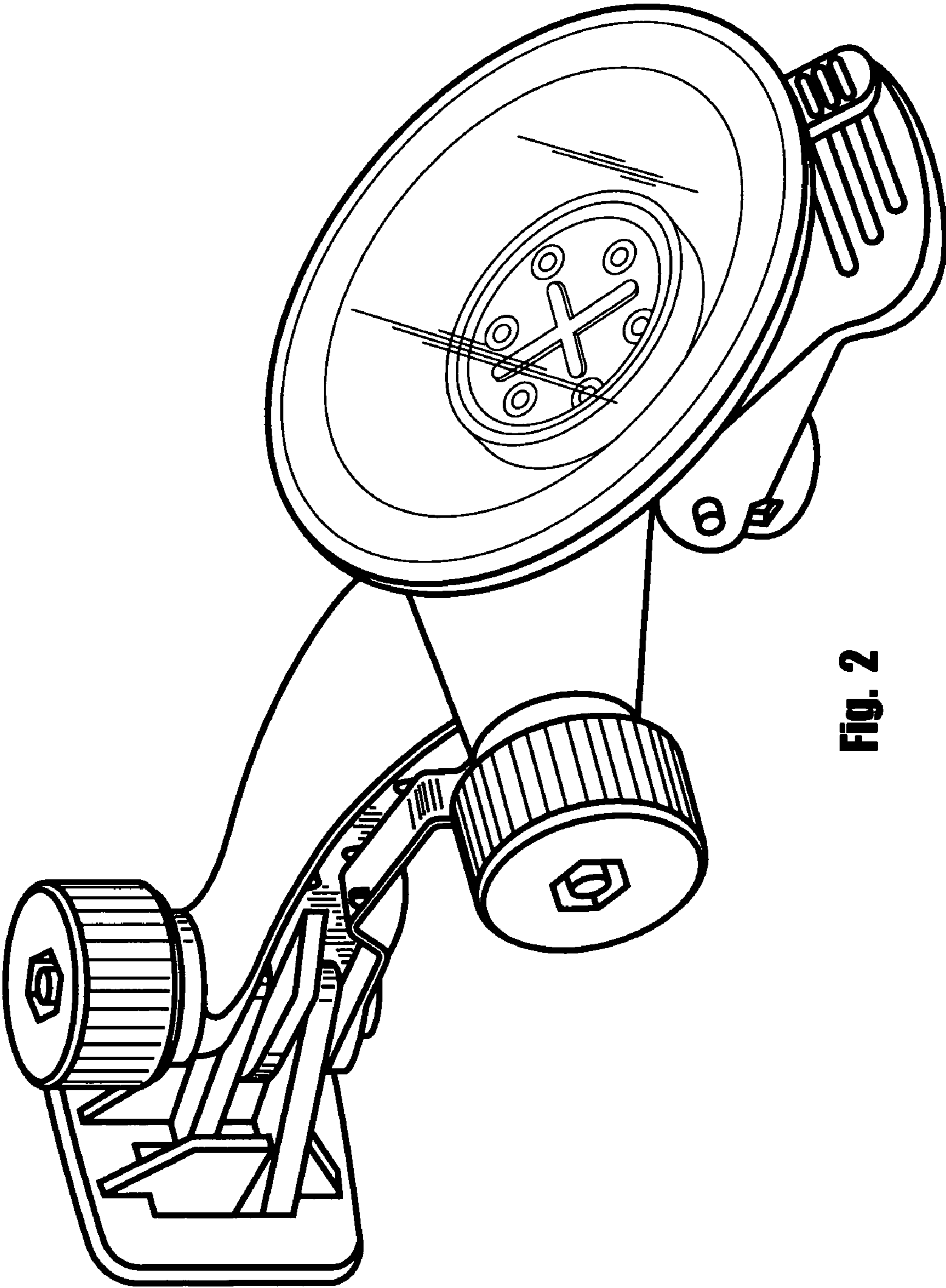


Fig. 2

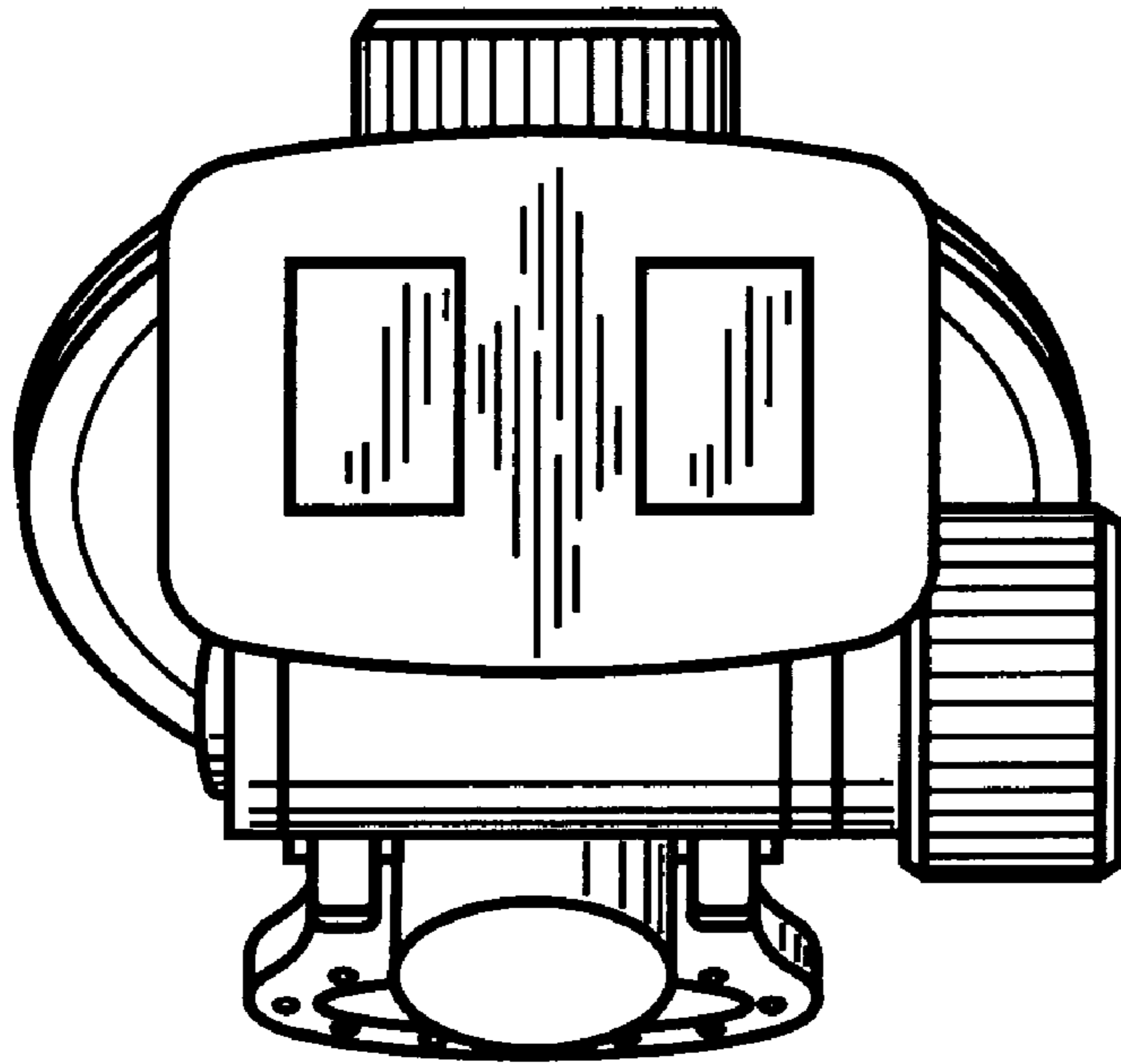


Fig. 3

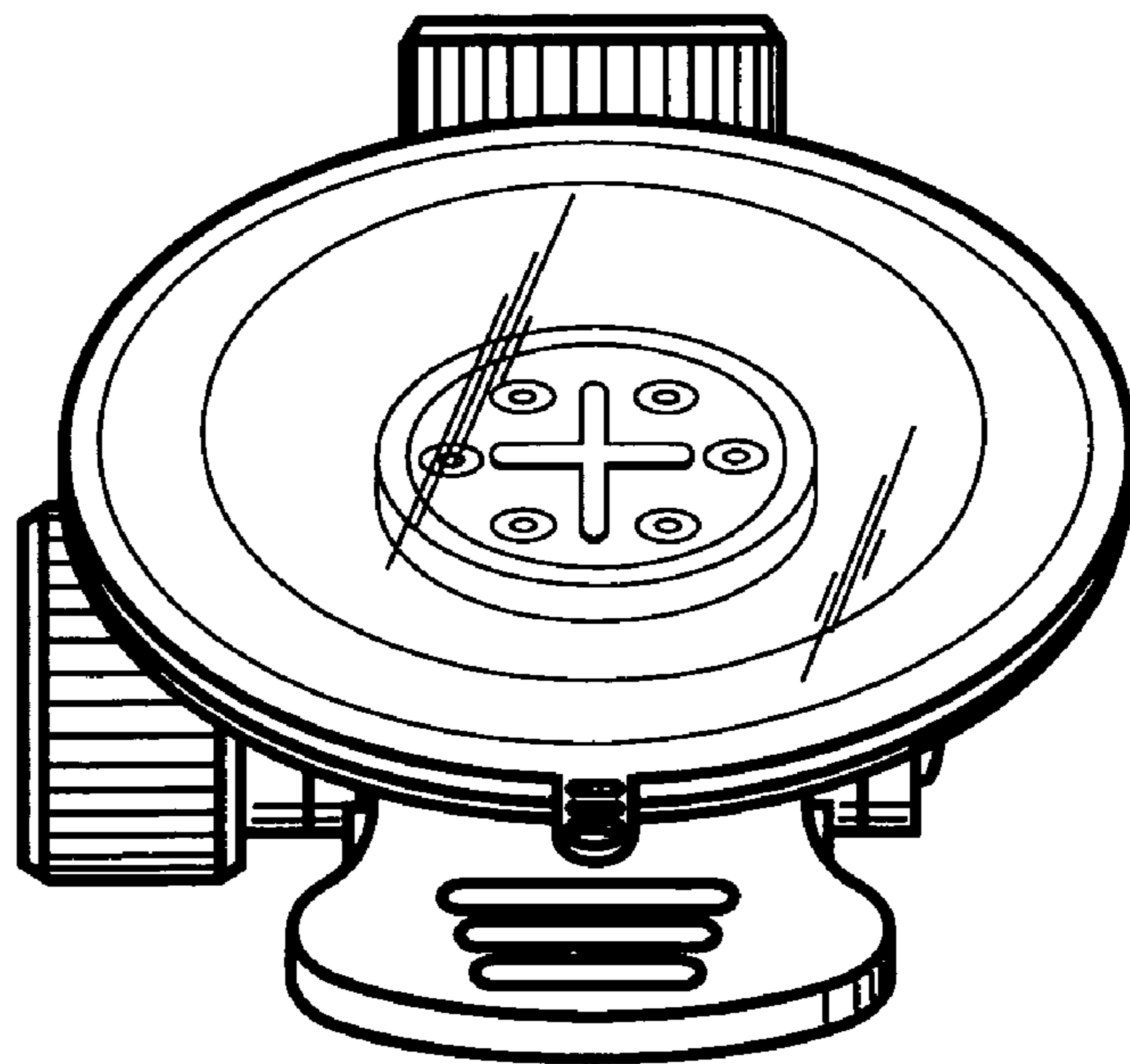


Fig. 4

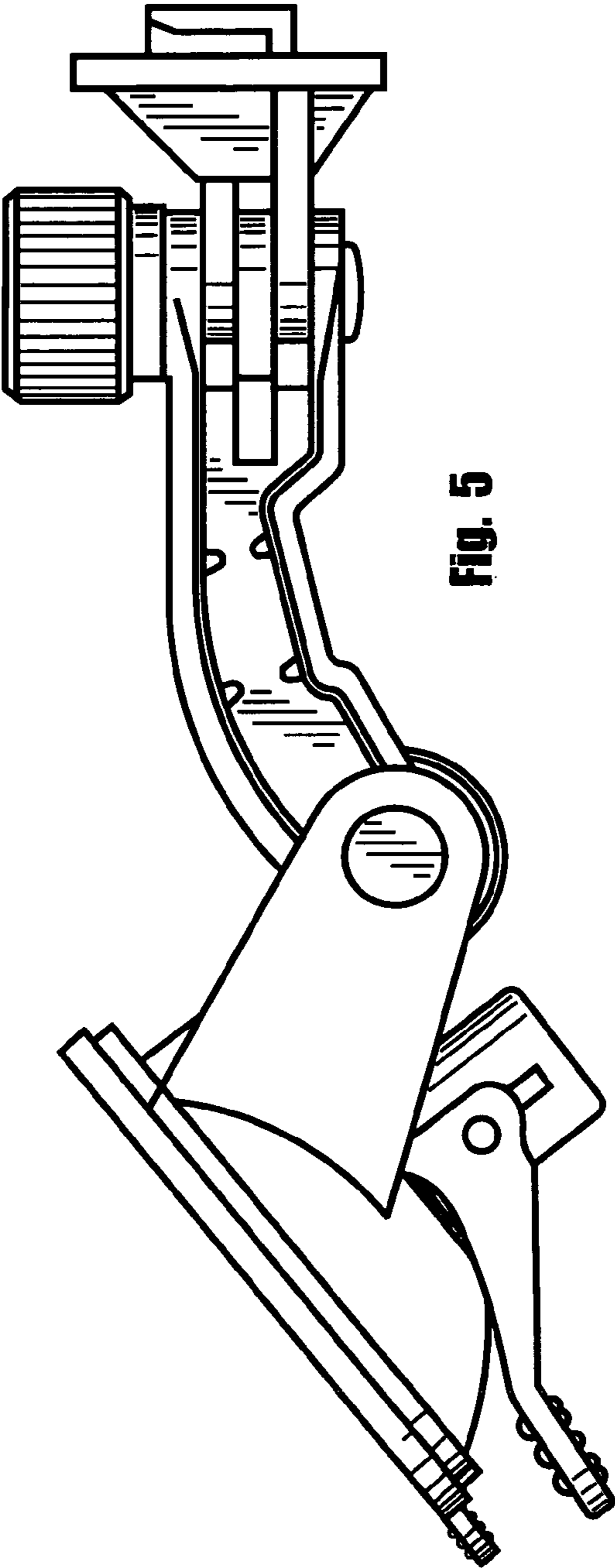


Fig. 5

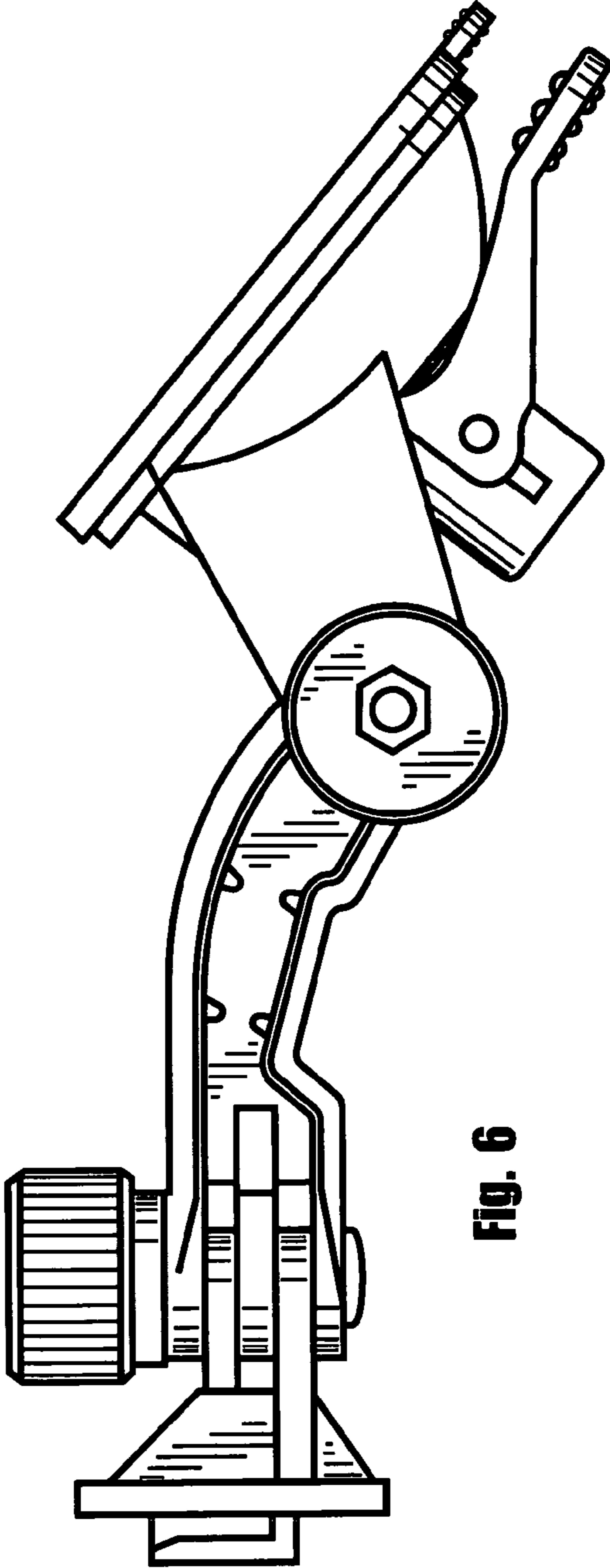


Fig. 6

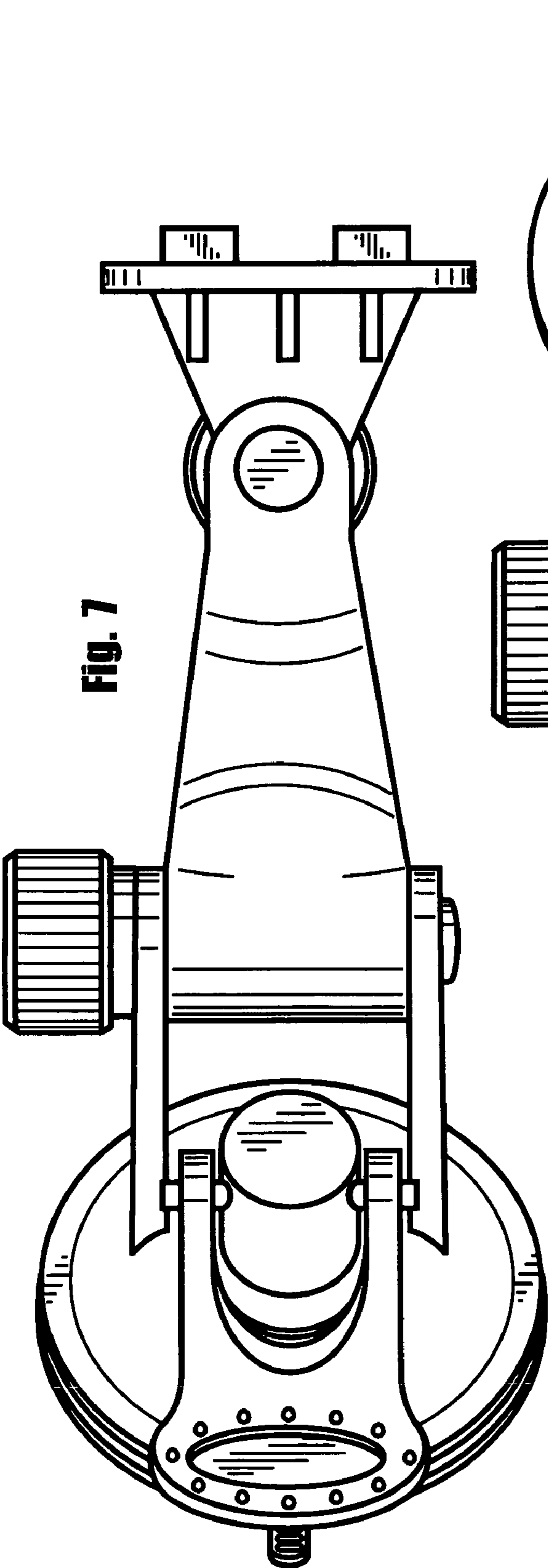


Fig. 7

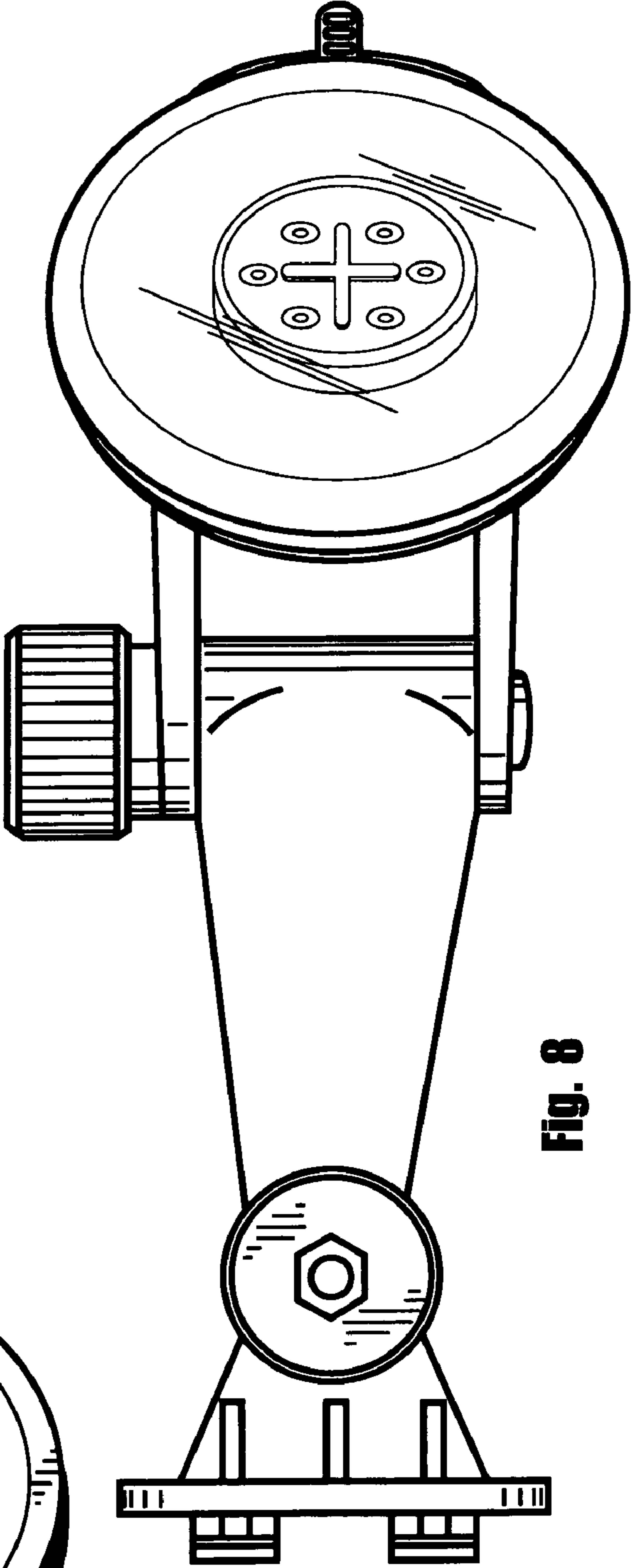


Fig. 8