



US00D602340S

(12) **United States Design Patent**
Wurdack

(10) **Patent No.:** **US D602,340 S**
(45) **Date of Patent:** **** Oct. 20, 2009**

(54) **MODULAR PANEL KEY LOCK**

(76) Inventor: **Roy A. Wurdack**, 8506 Snow Hill Rd.,
Ooltewah, TN (US) 37363

(**) Term: **14 Years**

(21) Appl. No.: **29/333,659**

(22) Filed: **Mar. 12, 2009**

(51) **LOC (9) Cl.** **08-07**

(52) **U.S. Cl.** **D8/347; D8/330**

(58) **Field of Classification Search** D8/347,
D8/330, 331, 343, 348, 354, 382; D6/491,
D6/492, 493; 52/278, 282.1, 713, 719; 70/77,
70/451, 453; 108/151, 152; 403/231, 311,
403/313, 346

See application file for complete search history.

(56) **References Cited**

U.S. PATENT DOCUMENTS

3,490,797	A *	1/1970	Platte	52/282.1
D250,990	S *	2/1979	Hanneman et al.	D8/347
D290,085	S *	6/1987	Foshee	D8/347
5,447,386	A	9/1995	Wurdack		
5,966,893	A *	10/1999	Quillin	52/713
6,113,044	A *	9/2000	Stratman	248/220.42
6,126,358	A	10/2000	Waits		
D436,017	S *	1/2001	Hays	D8/354

* cited by examiner

Primary Examiner—Stella M Reid
Assistant Examiner—Derrick Holland
(74) *Attorney, Agent, or Firm*—Grace J. Fishel

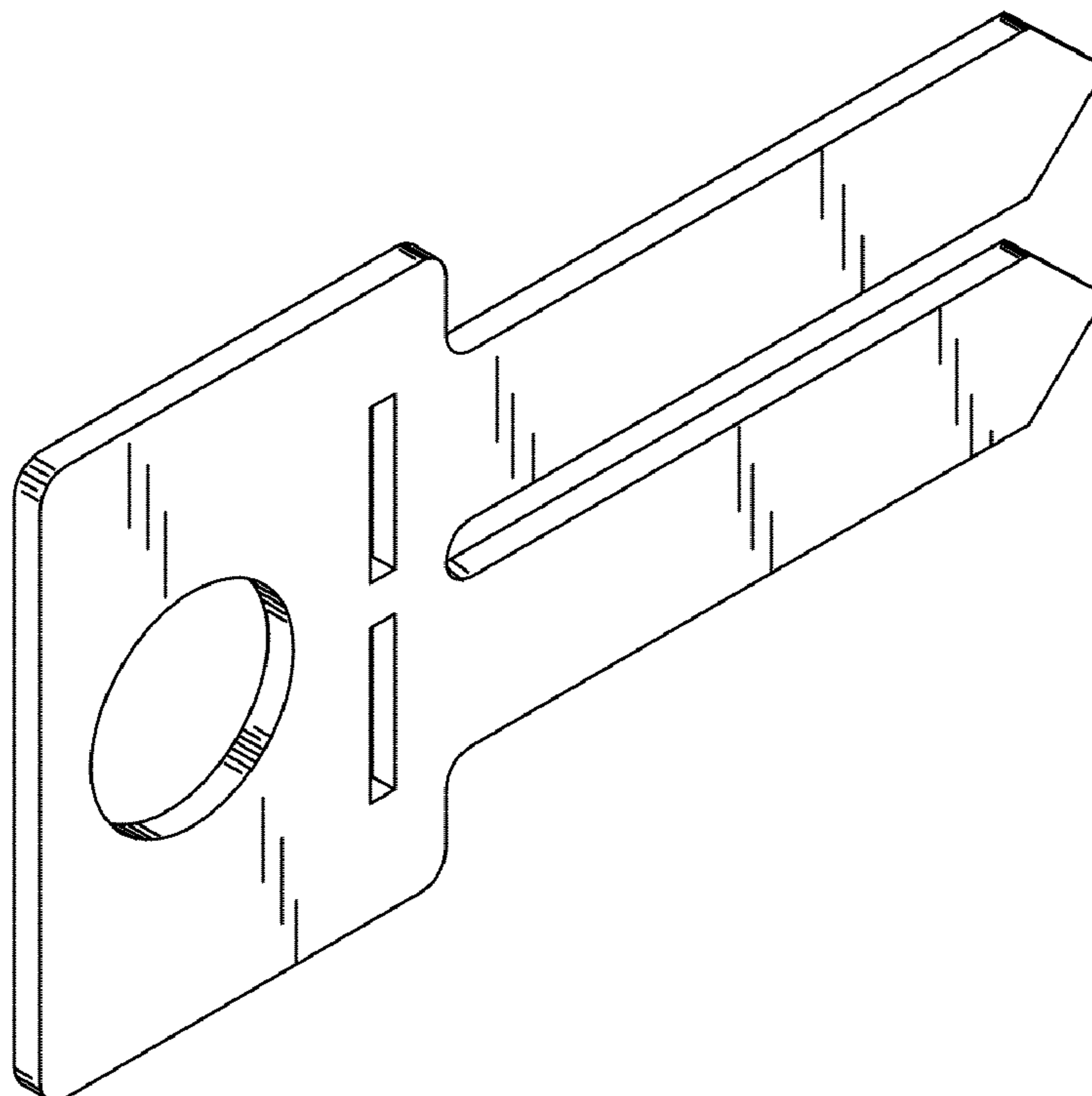
(57) **CLAIM**

The ornamental design for a modular panel key lock, as shown and described.

DESCRIPTION

FIG. 1 is a perspective view of a modular panel key lock;
FIG. 2 is a top view thereof, the bottom view being a mirror image;
FIG. 3 is a side elevation thereof, the opposite side being a mirror image;
FIG. 4 is a left end view thereof as viewed in FIGS. 1–3;
FIG. 5 is a right end view thereof;
FIG. 6 is a reduced perspective view thereof, shown in environmental use; and,
FIG. 7 is another reduced perspective view thereof, shown in environmental use.
The broken lines shown represent unclaimed subject matter and form no part of the claimed design.

1 Claim, 2 Drawing Sheets



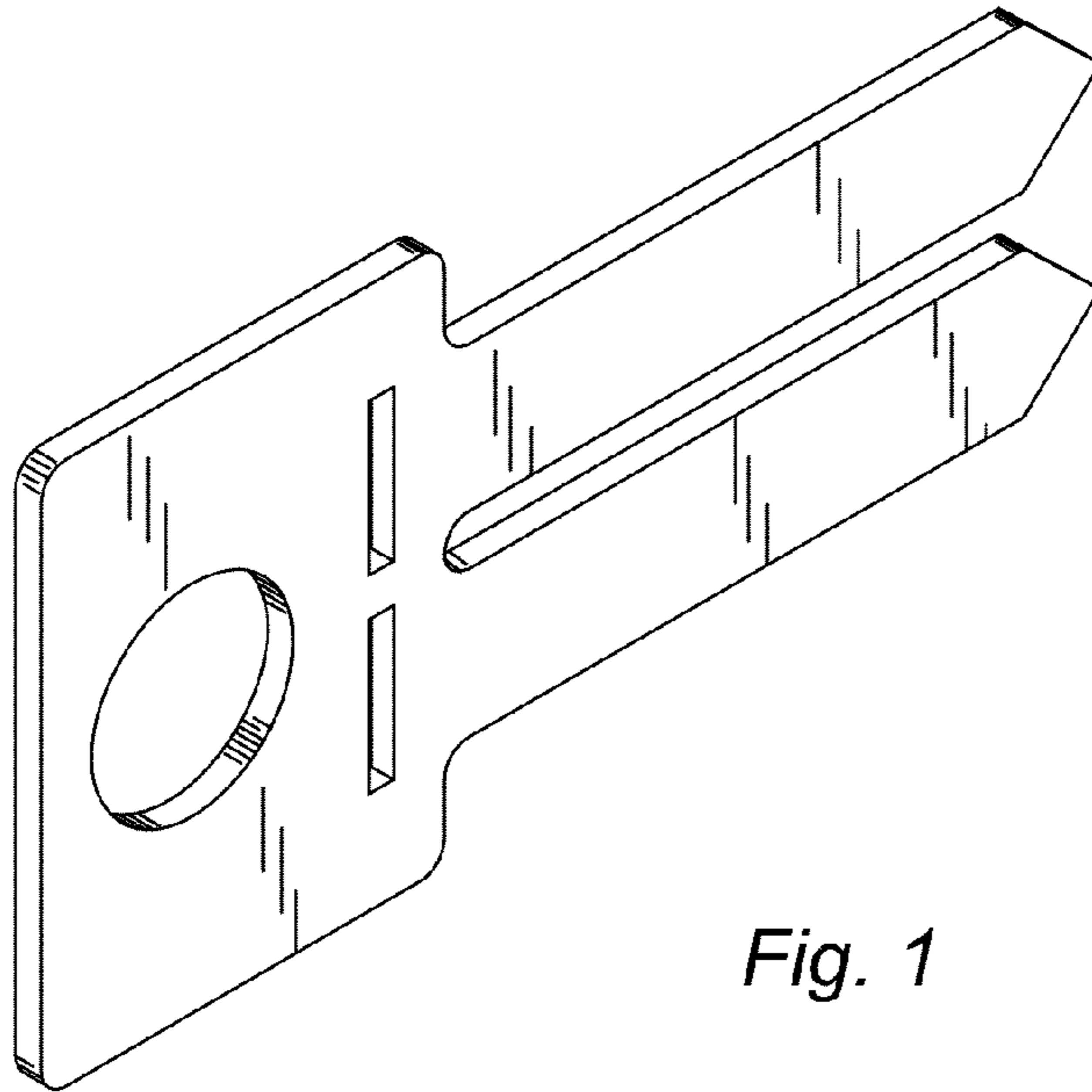


Fig. 1

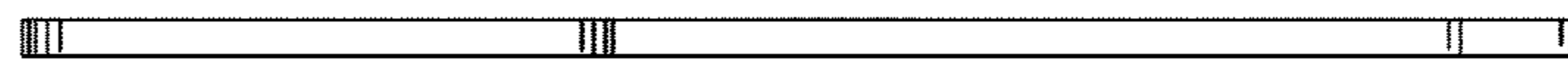


Fig. 2



Fig. 4

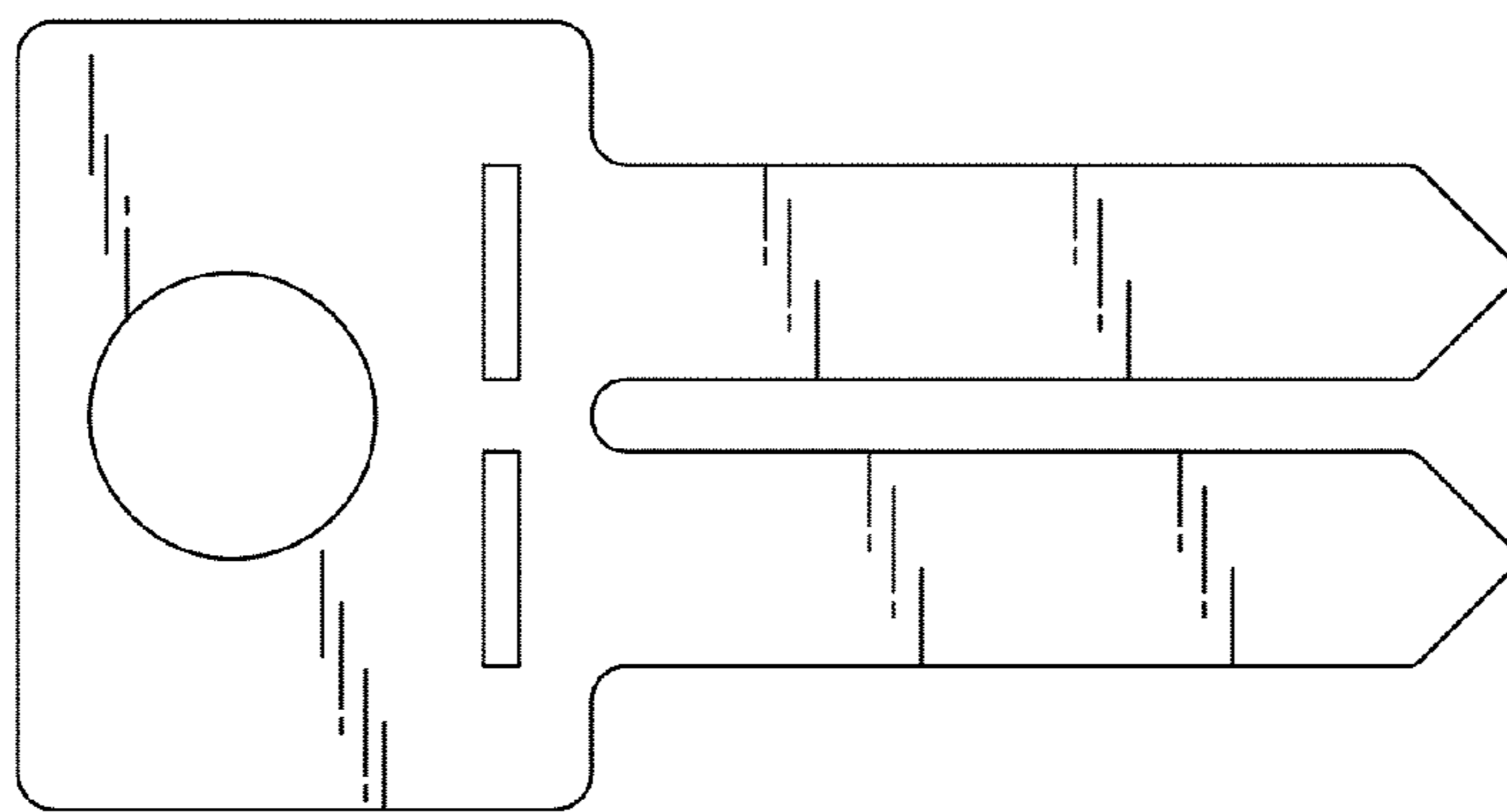


Fig. 3



Fig. 5

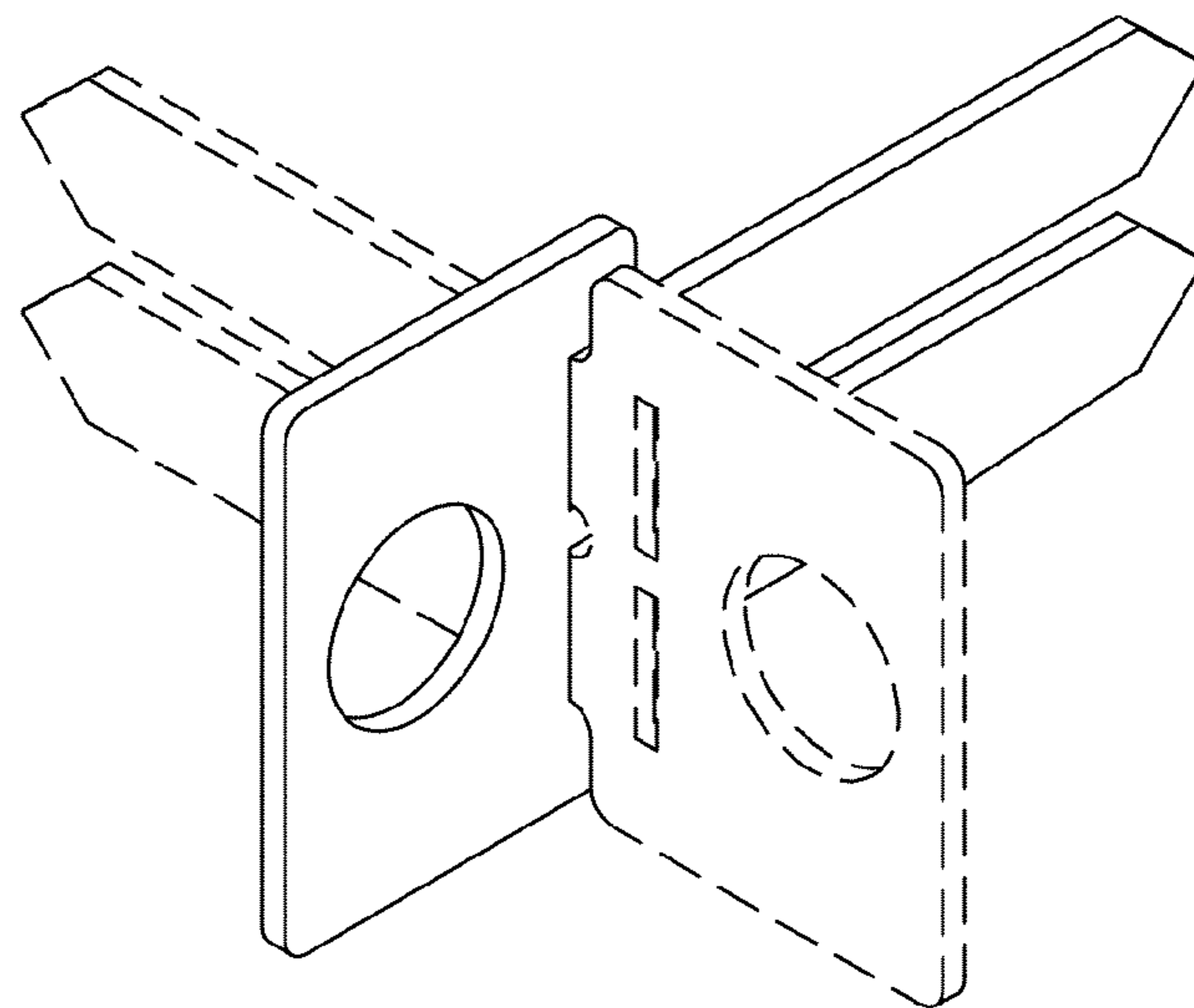


Fig. 6

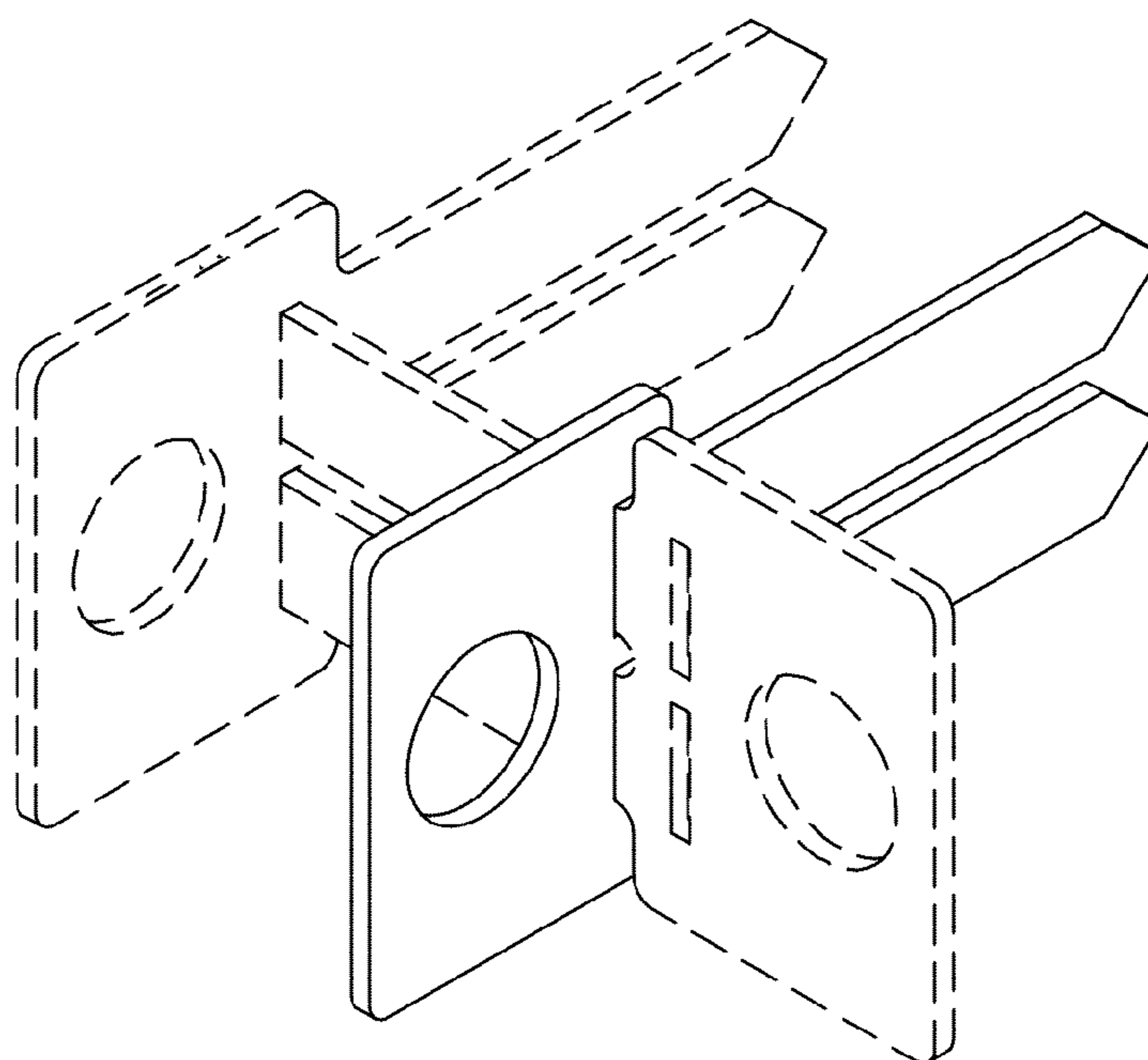


Fig. 7