



US00D602339S

(12) **United States Design Patent**  
**Frankel**

(10) **Patent No.:** **US D602,339 S**  
(45) **Date of Patent:** **\*\* Oct. 20, 2009**

- (54) **SECURITY DOOR BRACE**
  - (76) Inventor: **Jordan Frankel**, 815 Starlight Dr.,  
Atlanta, GA (US) 30342
  - (\*\*) Term: **14 Years**
  - (21) Appl. No.: **29/329,635**
  - (22) Filed: **Dec. 18, 2008**
  - (51) **LOC (9) Cl.** ..... **08-07**
  - (52) **U.S. Cl.** ..... **D8/343; D8/402**
  - (58) **Field of Classification Search** ..... D8/330,  
D8/331, 343, 349, 354, 377, 400, 402; 70/14,  
70/51, 431, 451; 292/289, 259 R, 260, 288,  
292/342, 343, 338, 339
- See application file for complete search history.

5,590,918 A	1/1997	Kambalov	
5,618,072 A	4/1997	Pitchford	
5,727,822 A	3/1998	Truong	
5,755,582 A	5/1998	Charlton	
5,775,746 A	7/1998	Charlton	
5,873,273 A	2/1999	Vick	
5,983,680 A	11/1999	Del Nin	
6,041,473 A *	3/2000	Johnson	16/82
D442,473 S *	5/2001	Habeck et al.	D8/402
6,336,245 B1	1/2002	Sakakibara	
6,340,185 B1	1/2002	Truong	
6,378,917 B1 *	4/2002	Jones	292/42
6,557,912 B1	5/2003	Truong	
6,572,160 B2	6/2003	Bunting	
D552,981 S *	10/2007	Yamaguchi	D8/402
D570,670 S *	6/2008	Clemens	D8/343

(56) **References Cited**

**U.S. PATENT DOCUMENTS**

1,082,432 A	12/1913	Mertsheimer	
1,667,771 A *	5/1928	Chiapparelli	292/128
2,929,647 A	3/1960	Gladstone	
3,330,585 A	7/1967	Pollin	
3,833,963 A	9/1974	Waters	
3,977,714 A	8/1976	Trotter	
4,178,026 A	12/1979	Sinkhorn	
4,303,266 A	12/1981	Volpi	
4,343,500 A	8/1982	Steiner	
4,462,623 A	7/1984	Grant	
4,601,502 A	7/1986	Van Dyke	
4,797,970 A	1/1989	Charlton	
5,018,241 A	5/1991	Baines	
5,029,911 A	7/1991	Daniels	
D323,778 S *	2/1992	Roman	D8/402
5,120,093 A	6/1992	Carney	
5,163,308 A	11/1992	Lillo	
5,197,407 A *	3/1993	Sims	116/86
5,199,759 A	4/1993	Anderson	
5,207,026 A *	5/1993	Bozeman, Jr.	49/467
5,283,254 A *	2/1994	Cozzi et al.	514/399
D346,956 S *	5/1994	Wigley, Sr.	D8/402
5,383,254 A	1/1995	Wigley, Sr.	
5,395,143 A	3/1995	Chesterton	
5,454,143 A *	10/1995	Wigley, Sr.	16/82
5,454,610 A *	10/1995	Taylor et al.	292/339
5,490,304 A	2/1996	Winner, Jr. et al.	
5,531,490 A	7/1996	Parker	

\* cited by examiner

*Primary Examiner*—Prabhakar Deshmukh  
(74) *Attorney, Agent, or Firm*—Kaplan Ward & Patel, LLC;  
Russell L. Sandidge

(57) **CLAIM**

The ornamental design for a security door brace, as shown.

**DESCRIPTION**

FIG. 1 is a perspective view of the security door brace showing my new design.

FIG. 2 is an exploded perspective view thereof

FIG. 3 is a top view of the security door brace.

FIG. 4 is a front view of the security door brace.

FIG. 5 is a left side view of the security door brace.

FIG. 6 is a right side view of the security door brace.

FIG. 7 is a rear view of the security door brace.

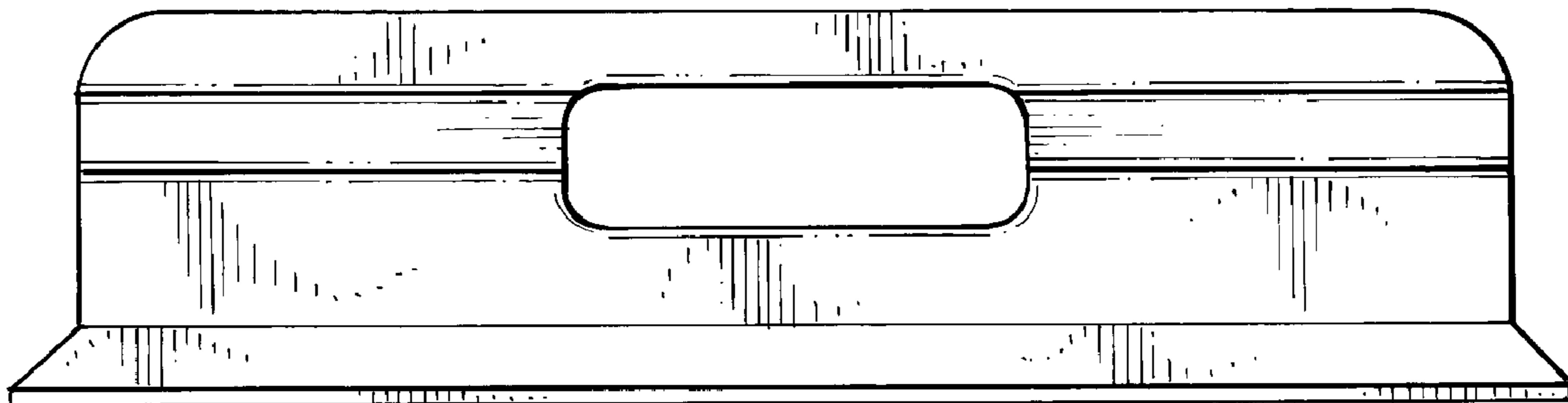
FIG. 8 is a bottom view of the security door brace.

FIG. 9 is a rear view of a second embodiment of a security door brace, in which shock absorbers are placed on the rear of the brace.

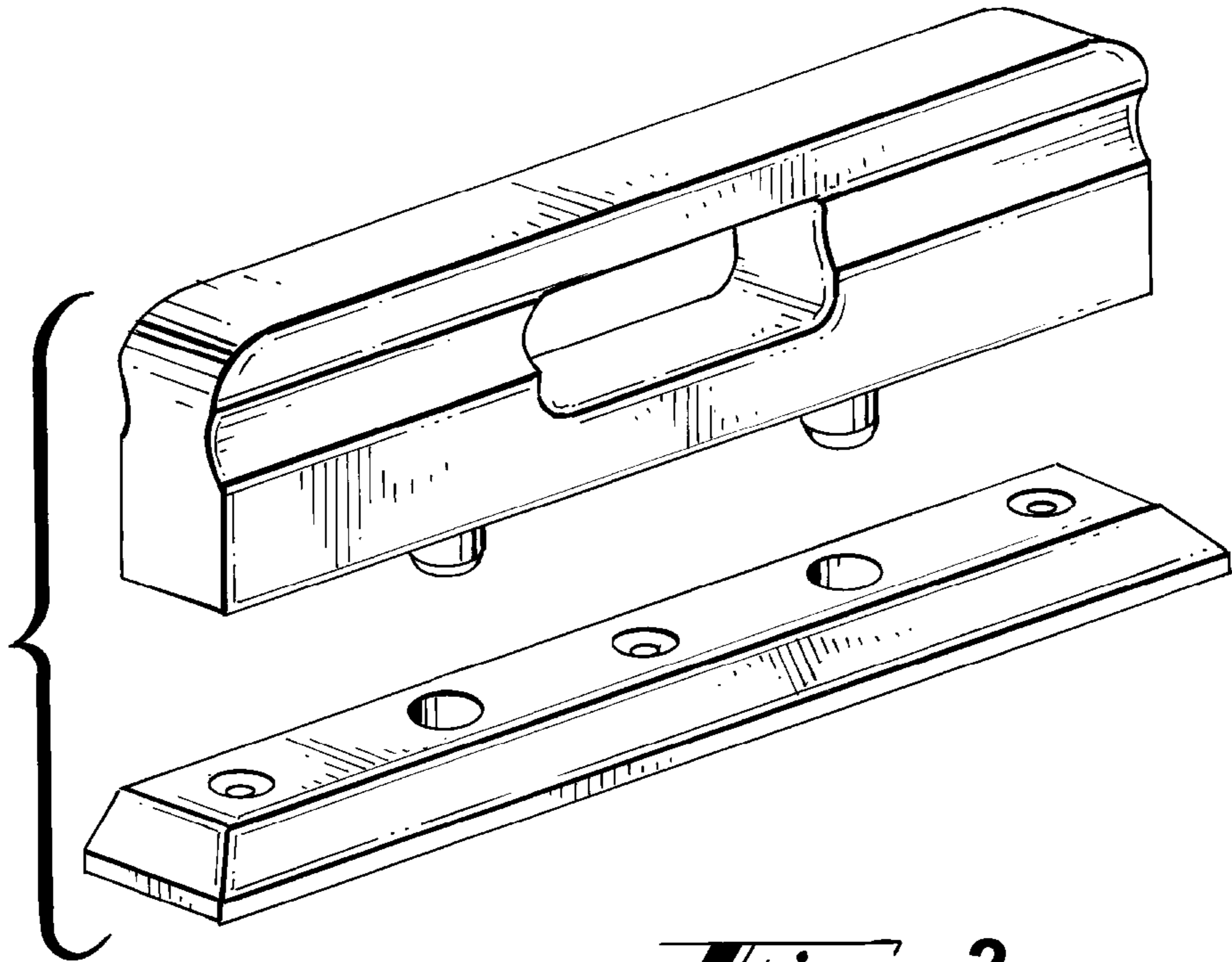
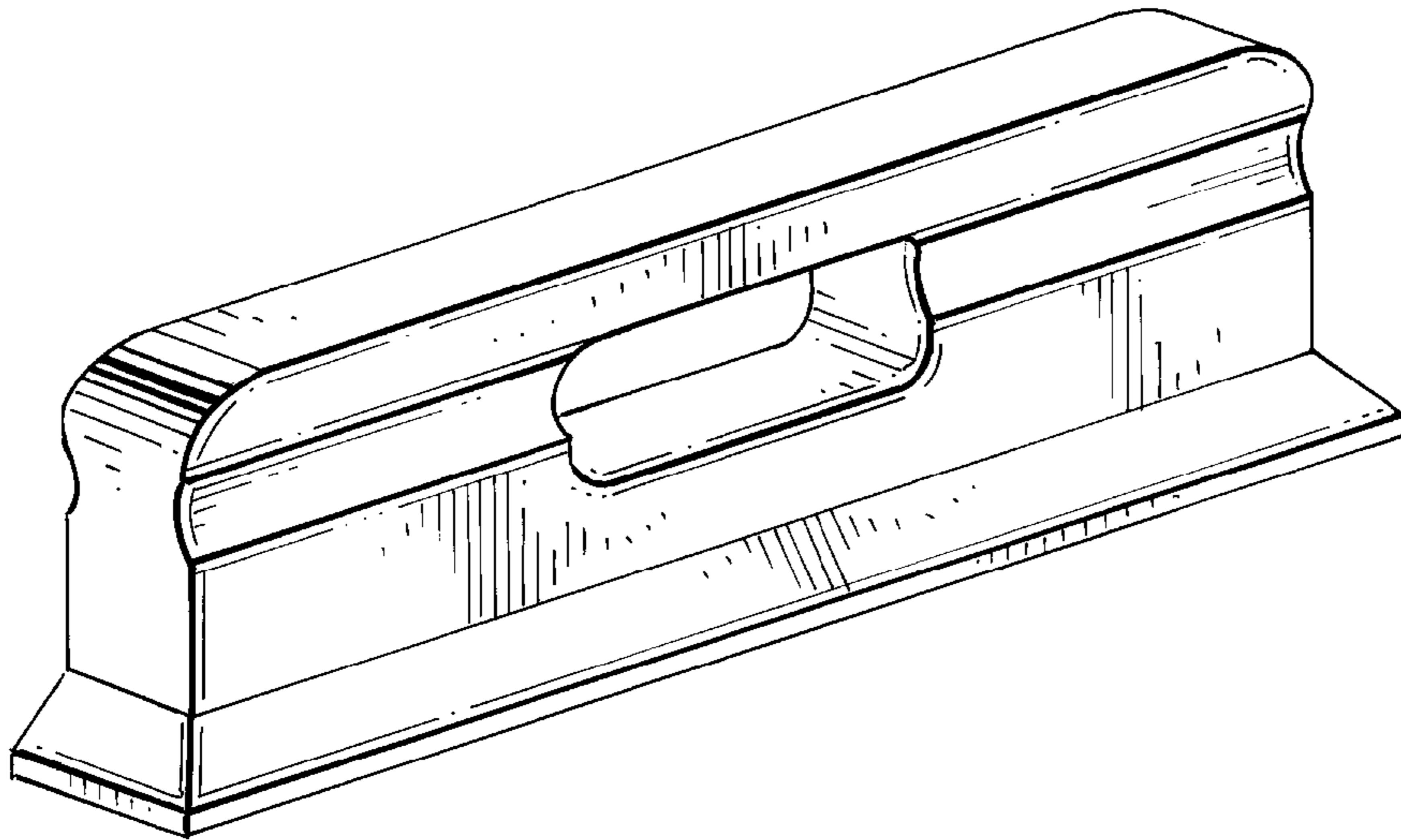
FIG. 10 is a top view of FIG. 9; and,

FIG. 11 is a perspective view of a third embodiment of a security door brace, shown without the lower plate.

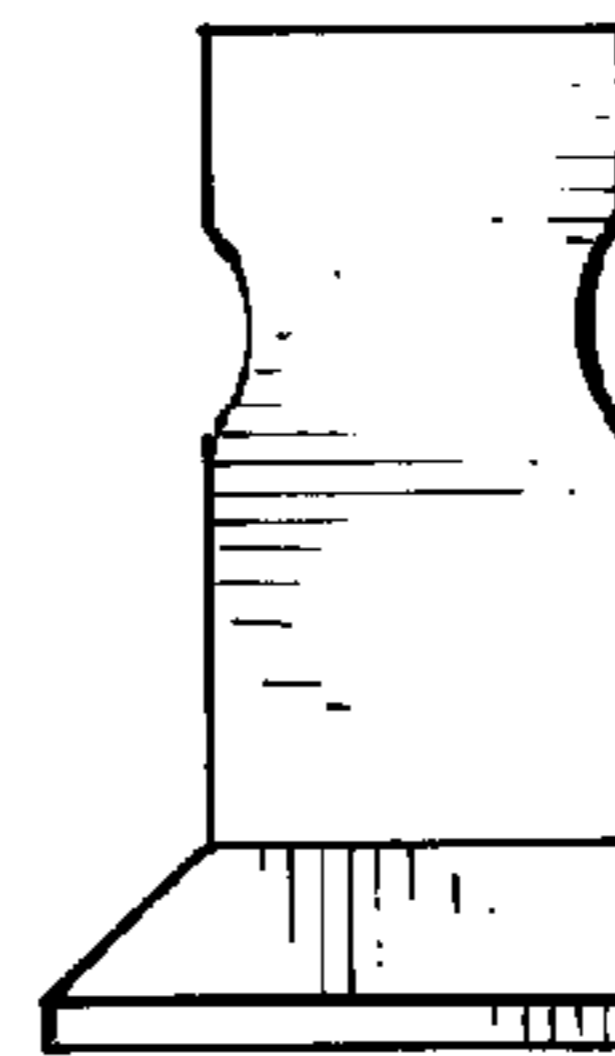
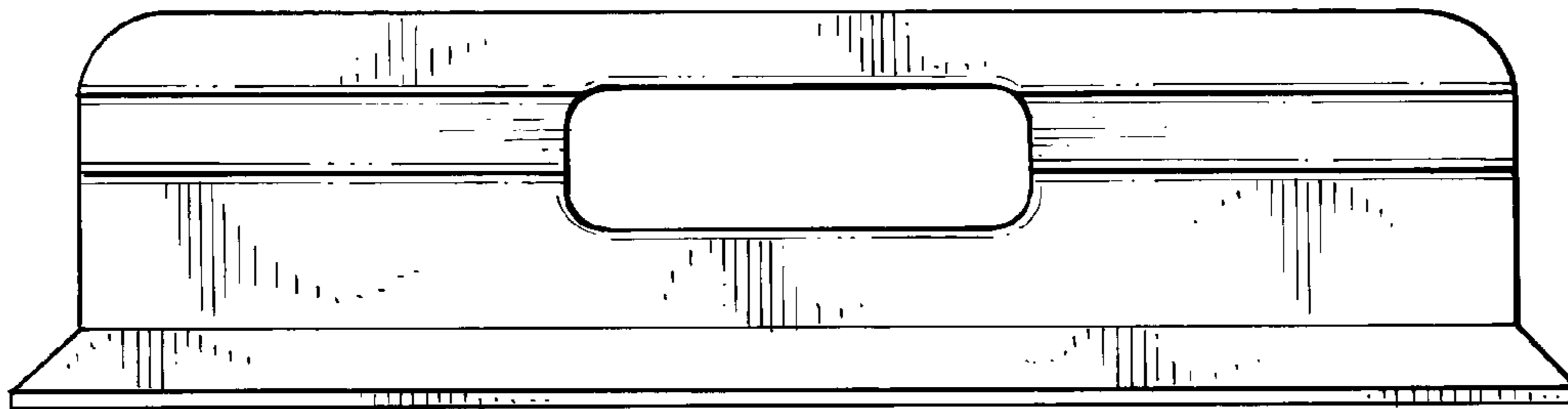
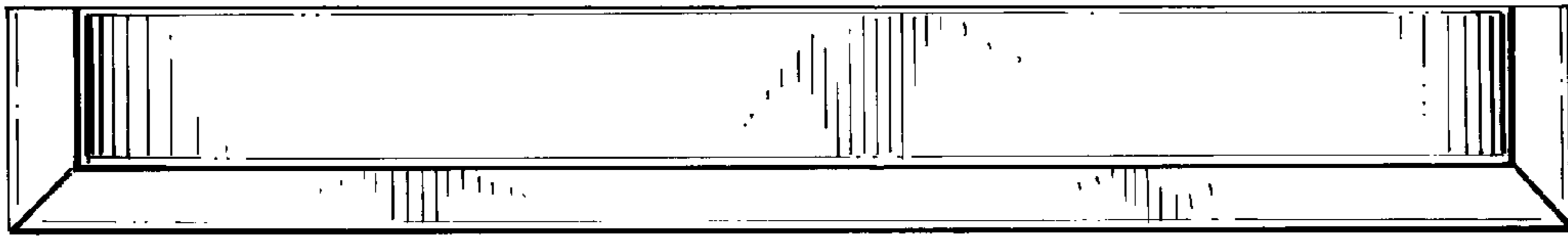
**1 Claim, 4 Drawing Sheets**



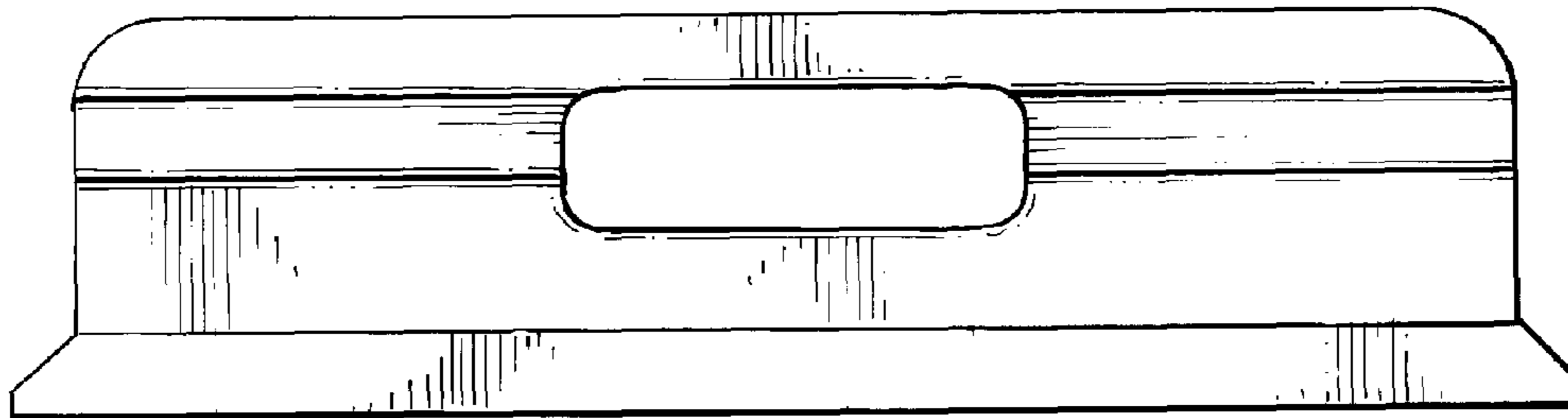
*Fig. 1*



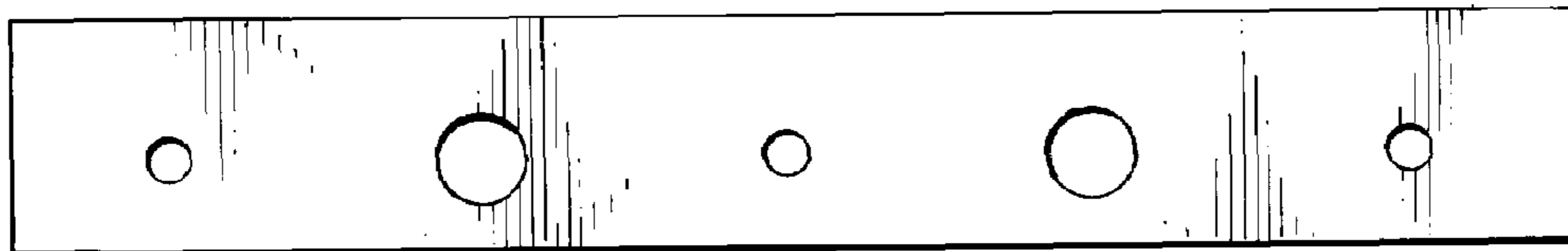
*Fig. 2*



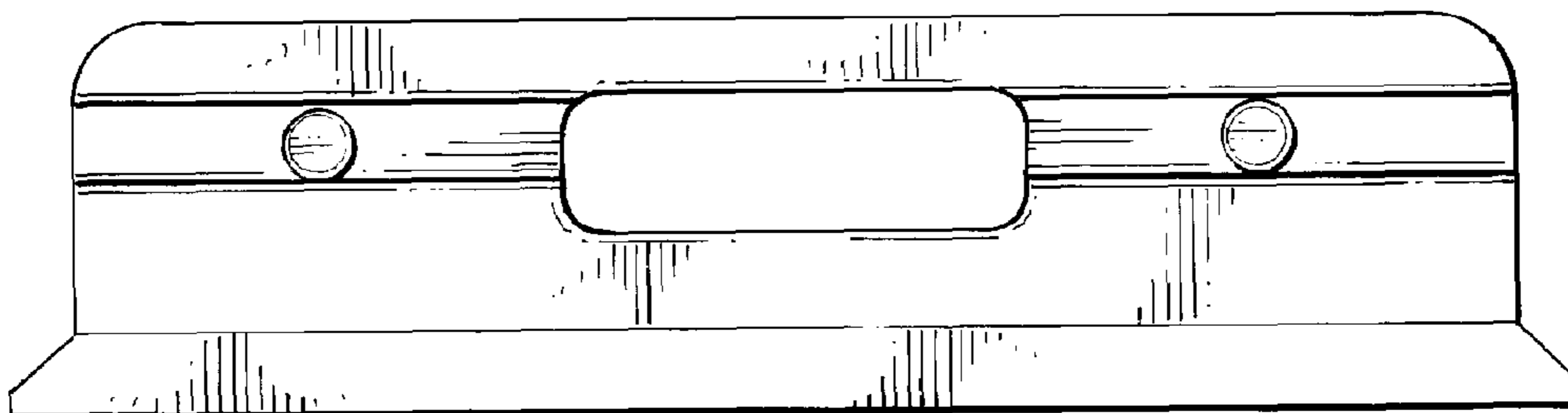
*Fig. 7*

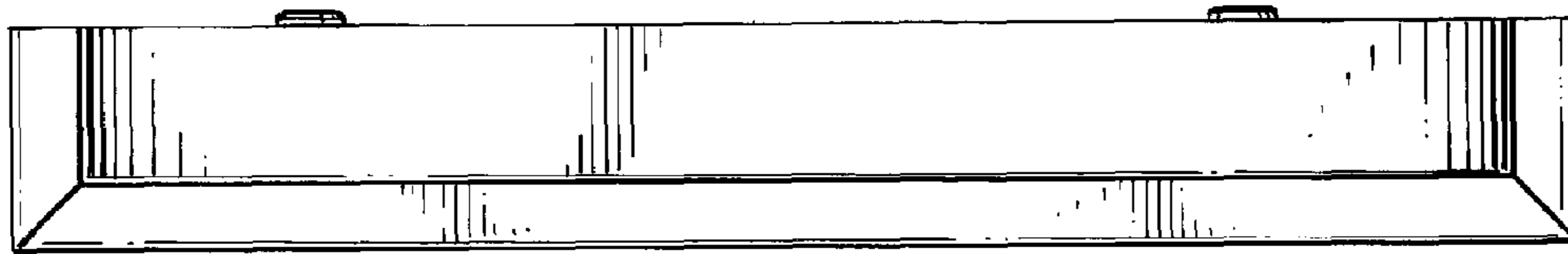


*Fig. 8*

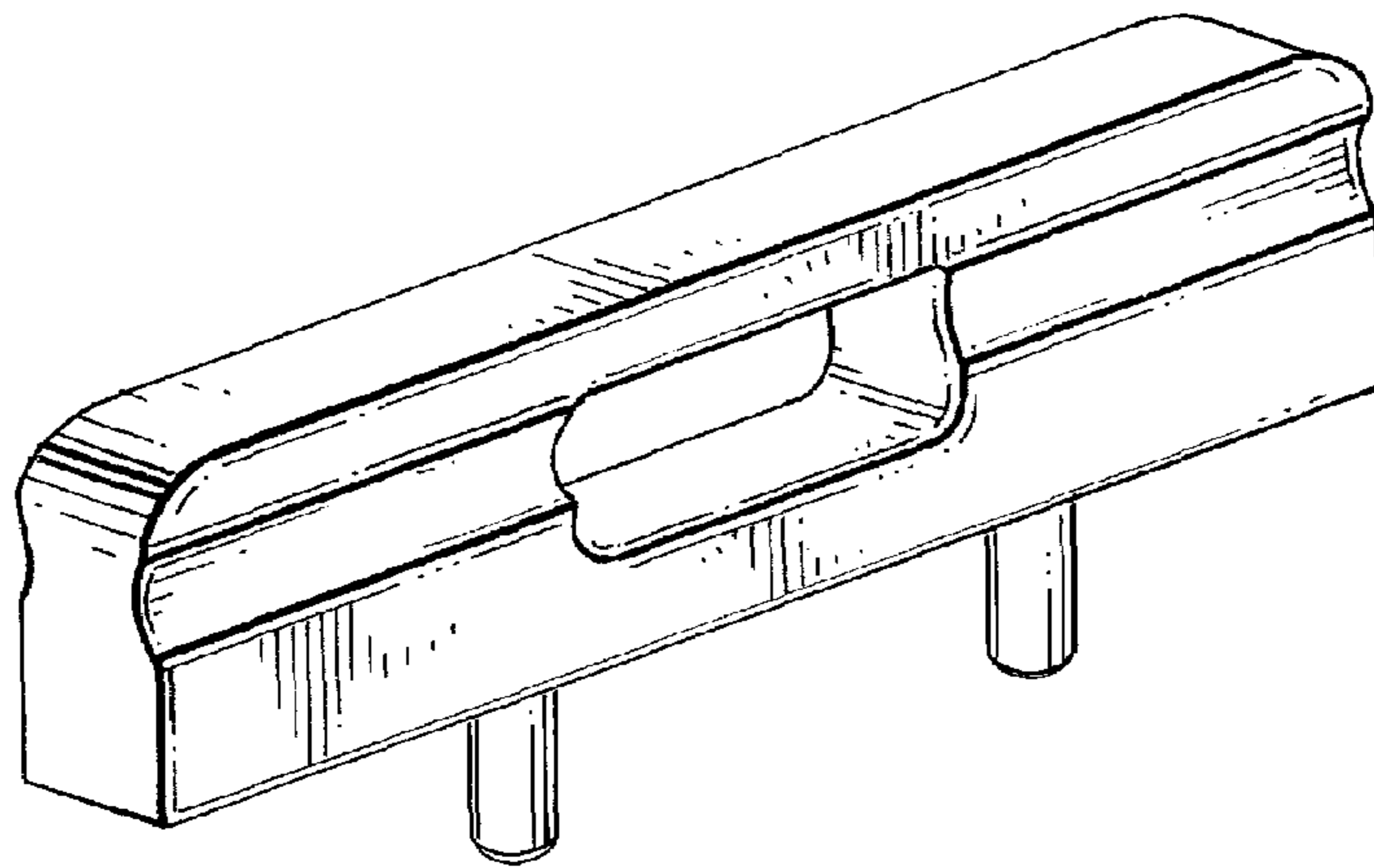


*Fig. 9*





*Fig. 10*



*Fig. 11*