



US00D602334S

(12) **United States Design Patent**  
**Hanes**

(10) **Patent No.:** **US D602,334 S**

(45) **Date of Patent:** **\*\* Oct. 20, 2009**

(54) **CABINET KNOB**

(76) **Inventor:** **Wendy Hanes**, 711 Palmetto Rd.,  
Benton, LA (US) 71006

(\*\*) **Term:** **14 Years**

(21) **Appl. No.:** **29/313,677**

(22) **Filed:** **Feb. 2, 2009**

(51) **LOC (9) Cl.** ..... **08-06**

(52) **U.S. Cl.** ..... **D8/310**

(58) **Field of Classification Search** ..... D8/300,  
D8/305, 307, 310, DIG. 2; 16/110.1, 402,  
16/412, 414, 442, 441; 292/336.3, 347, 348,  
292/350; 403/357, 361; D11/95, 115, 222,  
D11/63, 68, 225, 241; D5/66, 63, 25, 38;  
D21/386, 385; D23/250, 252; D99/11, 14;  
D7/393; 24/113 R

See application file for complete search history.

(56) **References Cited**

**U.S. PATENT DOCUMENTS**

D38,427 S *	1/1907	Pronberger	.....	D5/38
D204,977 S *	6/1966	Loeb	.....	D8/310
D396,179 S *	7/1998	Burns et al.	.....	D8/310
D401,834 S *	12/1998	Burns et al.	.....	D8/310
D418,387 S *	1/2000	O'Neil	.....	D8/310
D429,455 S *	8/2000	Burns et al.	.....	D8/310
D434,962 S *	12/2000	Short	.....	D8/310
D526,882 S *	8/2006	Veltz	.....	D8/307
D543,087 S *	5/2007	Soriano et al.	.....	D8/310

D565,385 S *	4/2008	Jou	.....	D8/307
D569,220 S *	5/2008	McConnell	.....	D8/310
D570,183 S *	6/2008	Hanes	.....	D8/305
D574,212 S *	8/2008	Jou	.....	D8/305
D579,751 S *	11/2008	Hoernig	.....	D8/310
D580,252 S *	11/2008	Hoernig	.....	D8/310
D580,736 S *	11/2008	Matijevic	.....	D8/310
D592,483 S *	5/2009	Ricereto	.....	D8/310

\* cited by examiner

*Primary Examiner*—Paula Greene

(74) *Attorney, Agent, or Firm*—Schultz & Associates, P.C.

(57) **CLAIM**

The ornamental design for a cabinet knob, as shown and described.

**DESCRIPTION**

FIG. 1 is an isometric view of the cabinet knob in accordance with the present invention; and,

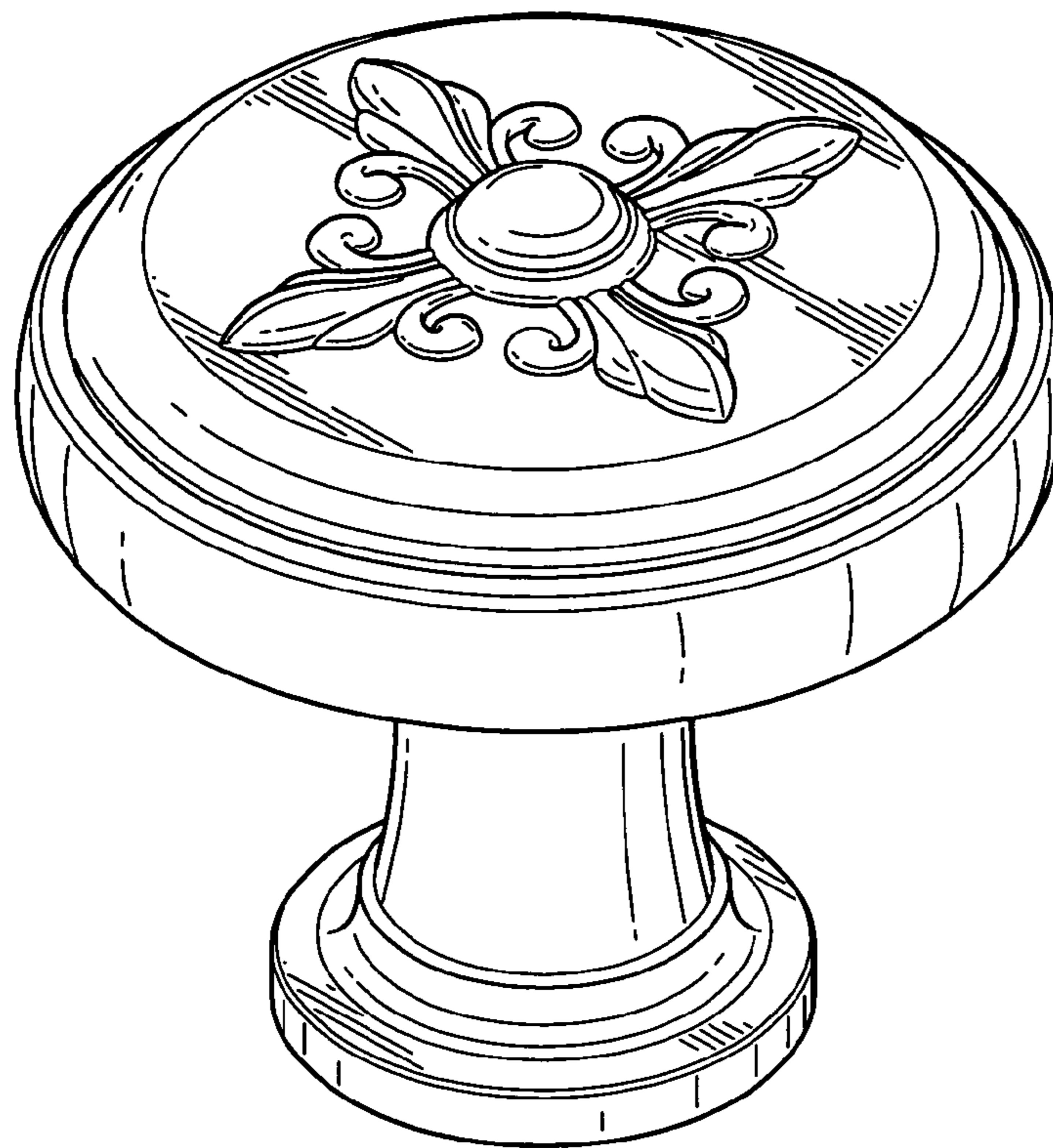
FIG. 2 is a side elevation view of the cabinet knob in accordance with the present invention.

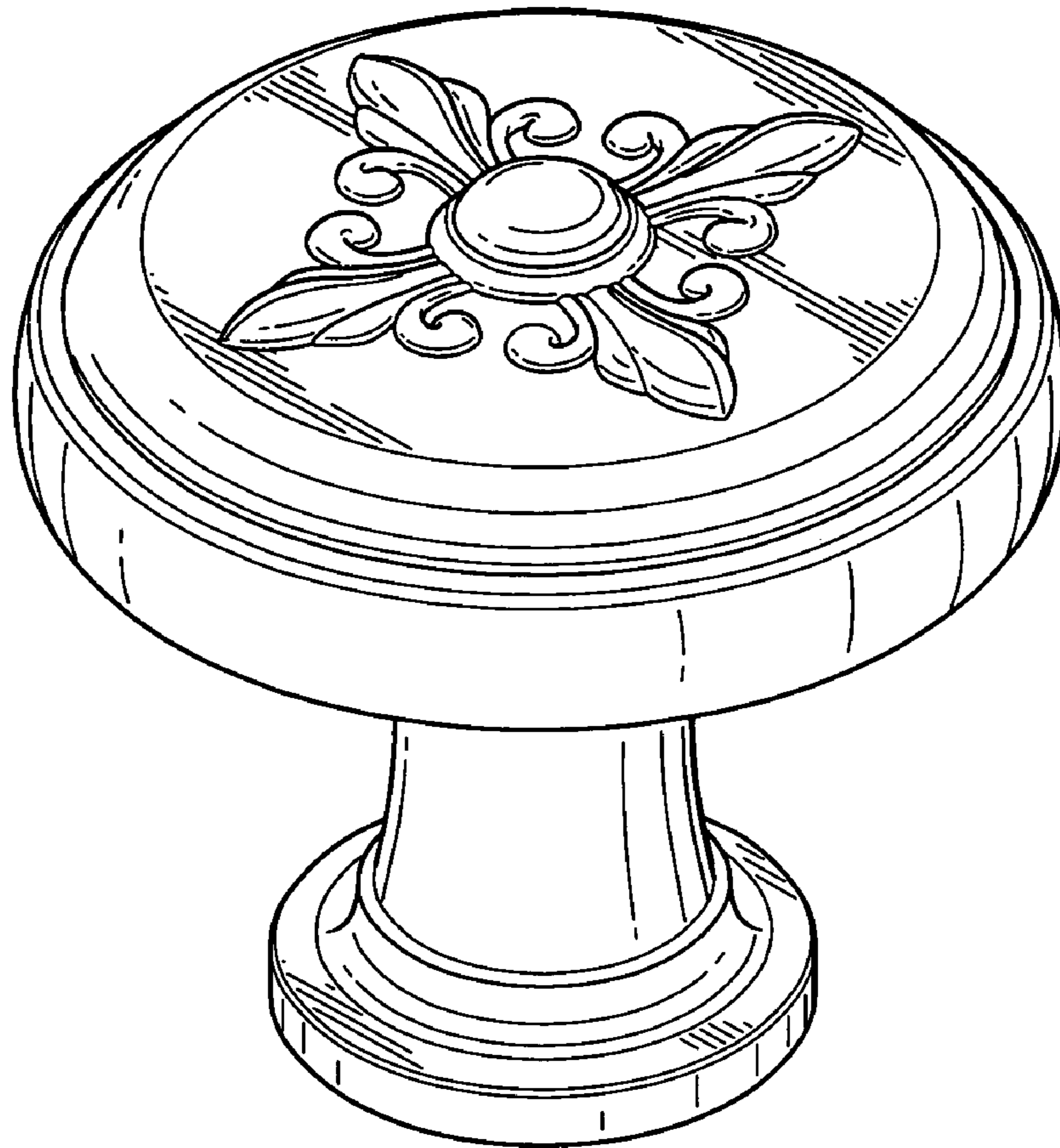
FIG. 3 is a top view of the cabinet knob in accordance with the present invention; and,

FIG. 4 is a bottom view of the cabinet knob in accordance with the present invention, the bottom surfaces are flat and unornamented.

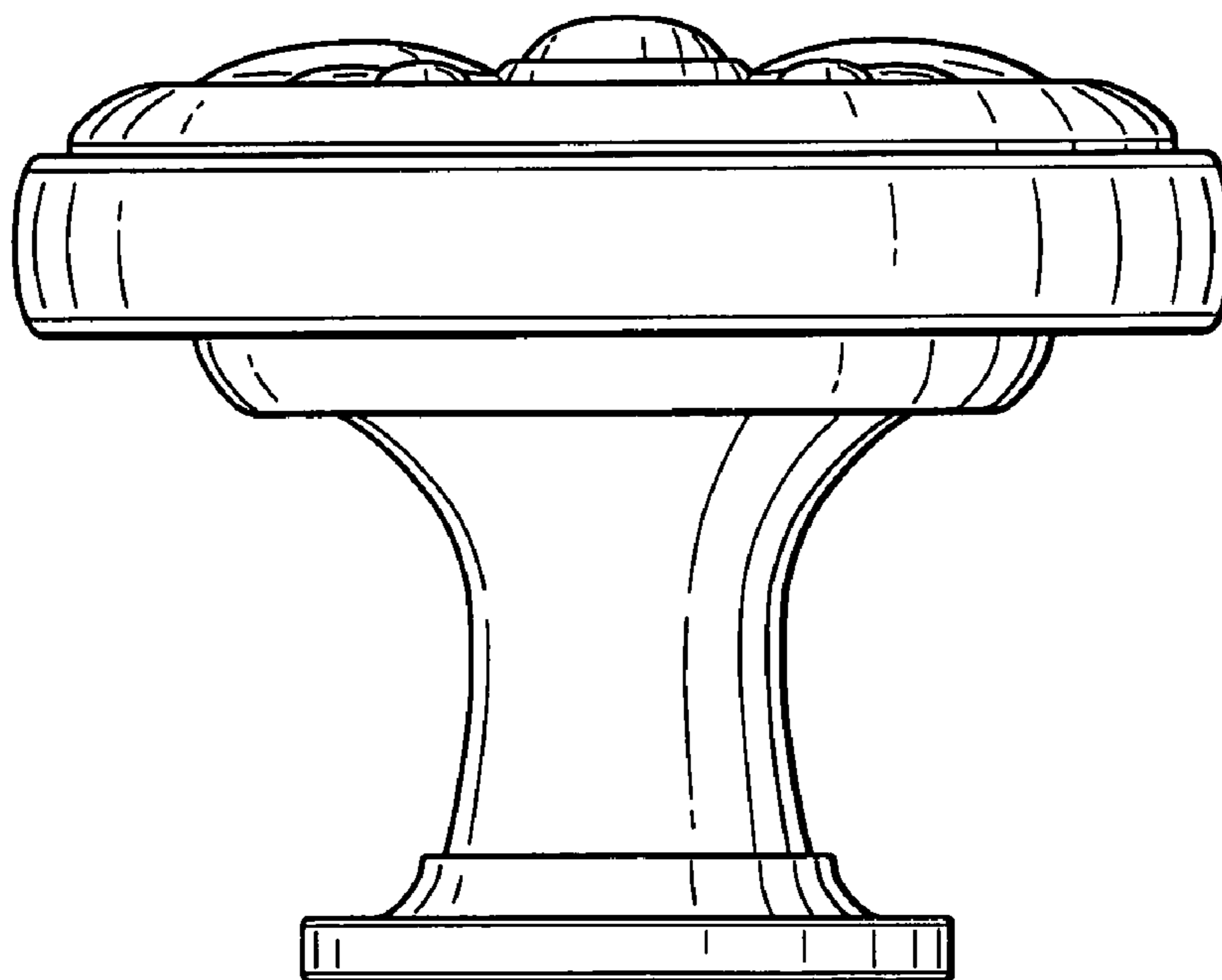
Any dashed lines depict environment and are not part of the claimed design.

**1 Claim, 2 Drawing Sheets**

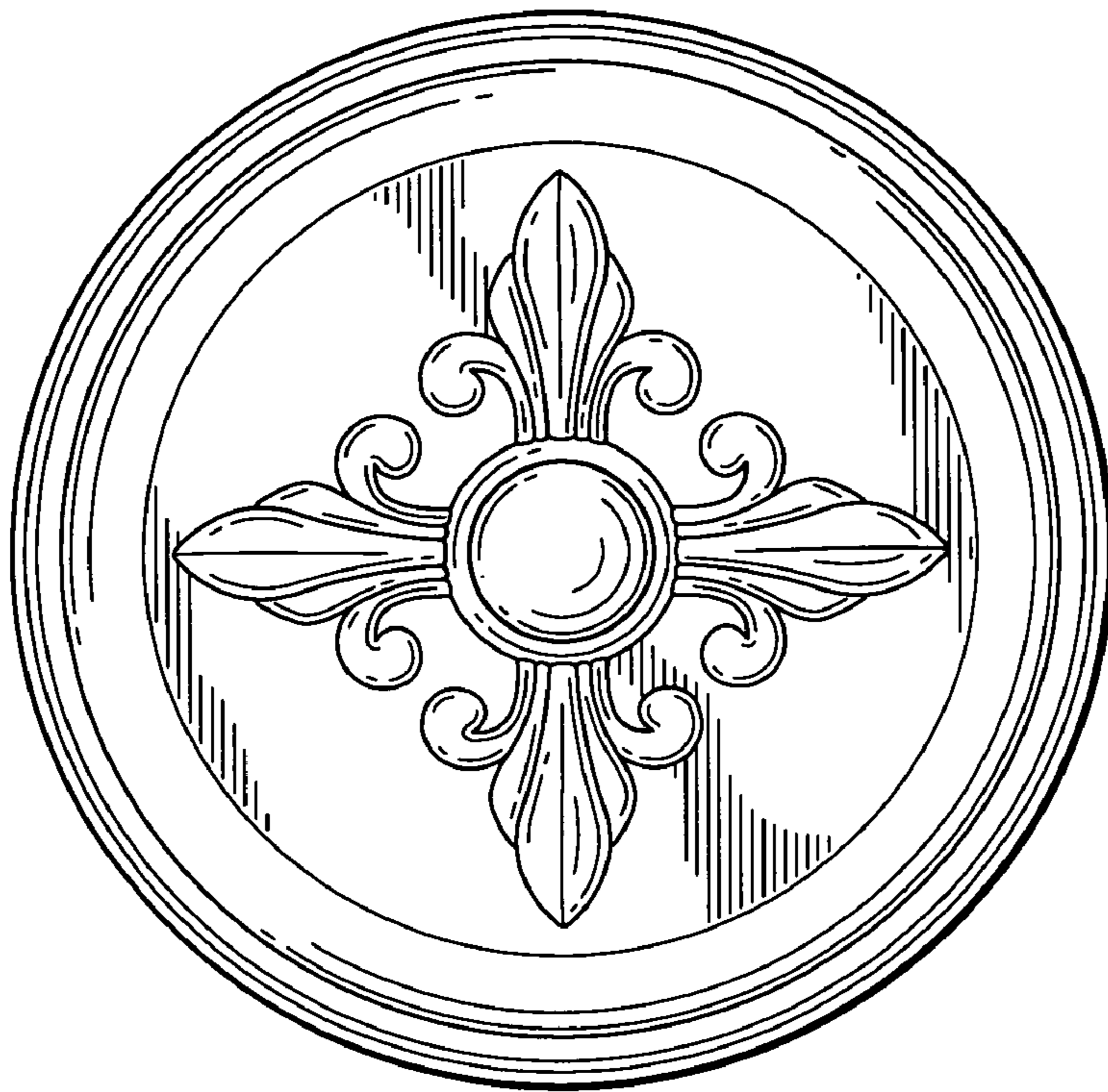




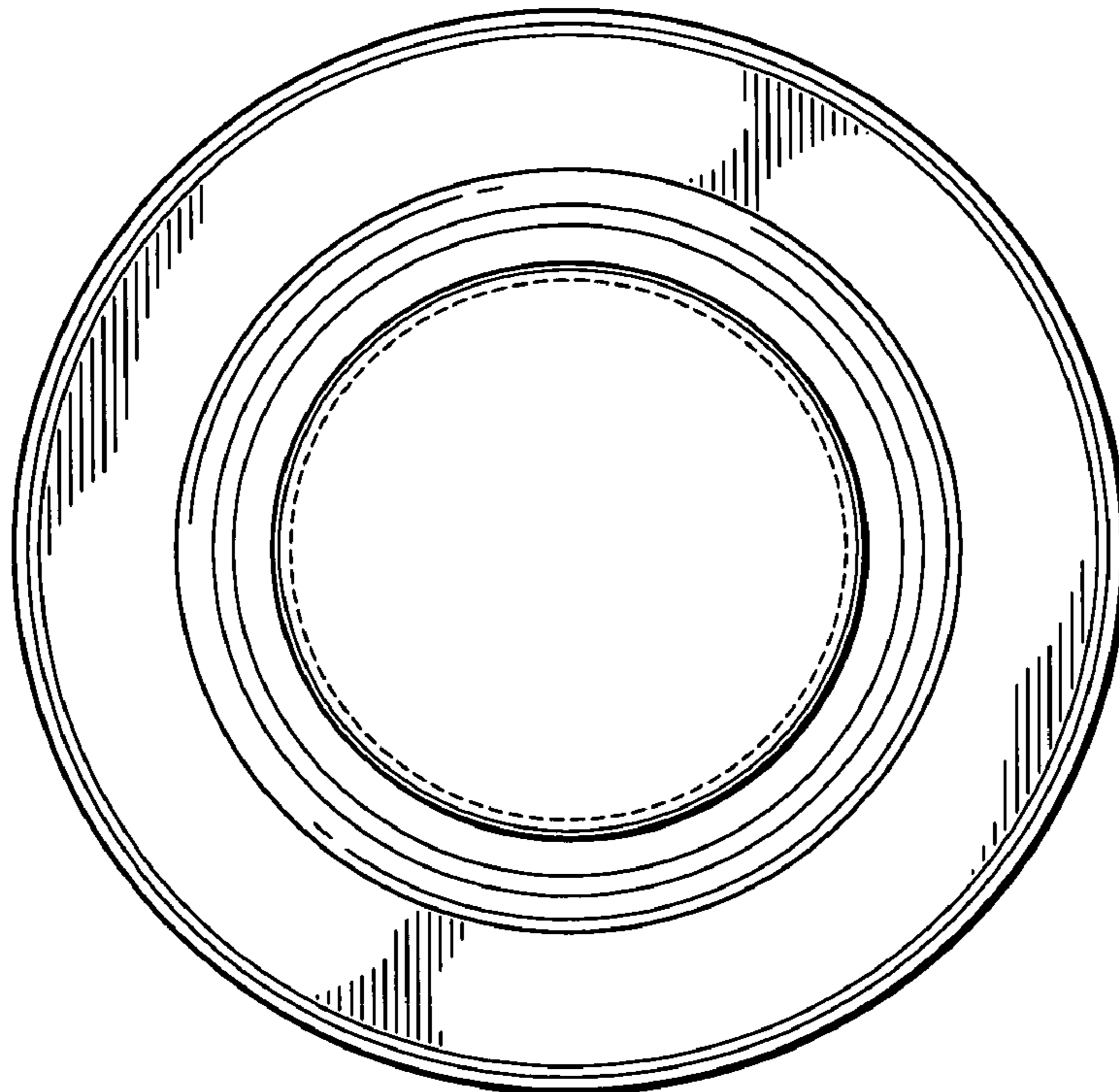
*FIG. 1*



*FIG. 2*



*FIG. 3*



*FIG. 4*