



US00D602333S

(12) **United States Design Patent**  
**Hanes**

(10) **Patent No.:** **US D602,333 S**  
(45) **Date of Patent:** **\*\* Oct. 20, 2009**

(54) **CABINET KNOB**

(76) **Inventor:** **Wendy Hanes**, 711 Palmetto Rd.,  
Benton, LA (US) 71006

(\*\*) **Term:** **14 Years**

(21) **Appl. No.:** **29/313,899**

(22) **Filed:** **Feb. 18, 2009**

(51) **LOC (9) Cl.** ..... **08-06**

(52) **U.S. Cl.** ..... **D8/307**

(58) **Field of Classification Search** ..... D8/305,  
D8/307, 310, 300, DIG. 2; 16/110.1, 414,  
16/415, 417; D23/250, 251; 292/347, 336.3;  
D11/95, 105, 106, 81, 115; 63/18, 23; D28/91,  
D28/90

See application file for complete search history.

(56) **References Cited**

**U.S. PATENT DOCUMENTS**

D224,225 S *	7/1972	Doman	.....	D23/250
D327,530 S *	6/1992	Rawald	.....	D23/250
D370,613 S *	6/1996	Ainscough	.....	D8/307
D371,062 S *	6/1996	Ainscough	.....	D8/307
D372,657 S *	8/1996	De'Armond	.....	D8/307
D373,065 S *	8/1996	De'Armond	.....	D8/310
D434,962 S *	12/2000	Short	.....	D8/310

D442,055 S *	5/2001	Dewald et al.	.....	D8/310
D442,462 S *	5/2001	Dewald et al.	.....	D8/310
D485,153 S *	1/2004	Dewald et al.	.....	D8/307
D549,544 S *	8/2007	Mattson et al.	.....	D8/307
D563,193 S *	3/2008	Lowe et al.	.....	D8/307
D567,057 S *	4/2008	Tor Verges	.....	D8/307
D570,184 S *	6/2008	Ricereto	.....	D8/307
D579,303 S *	10/2008	Schneider	.....	D8/307

\* cited by examiner

*Primary Examiner*—Paula Greene

(74) *Attorney, Agent, or Firm*—Schultz & Associates, P.C.

(57) **CLAIM**

The ornamental design for a cabinet knob, as shown and described.

**DESCRIPTION**

FIG. 1 is a front perspective view of a cabinet knob showing my new design;

FIG. 2 is a longitudinal side elevational view thereof;

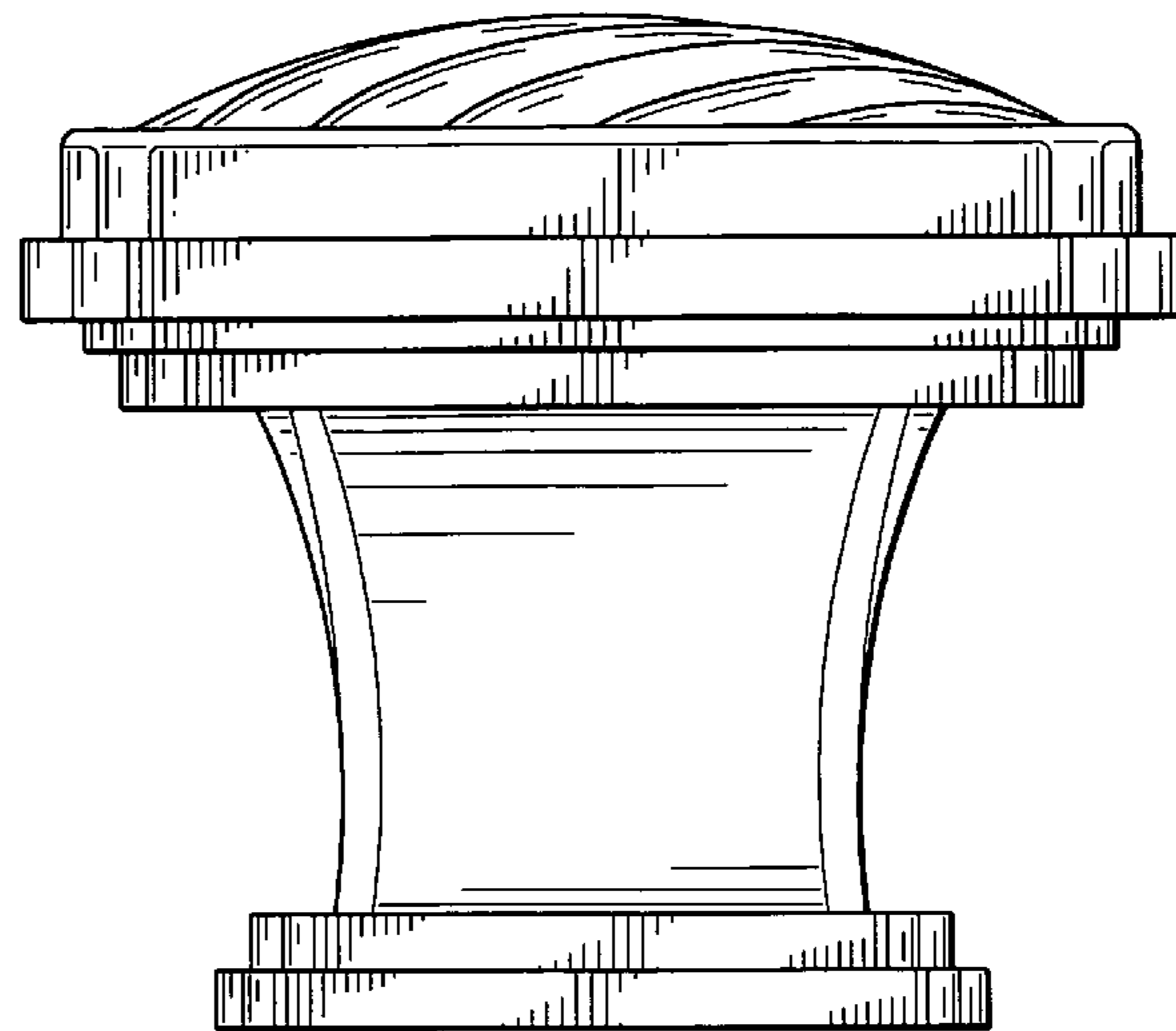
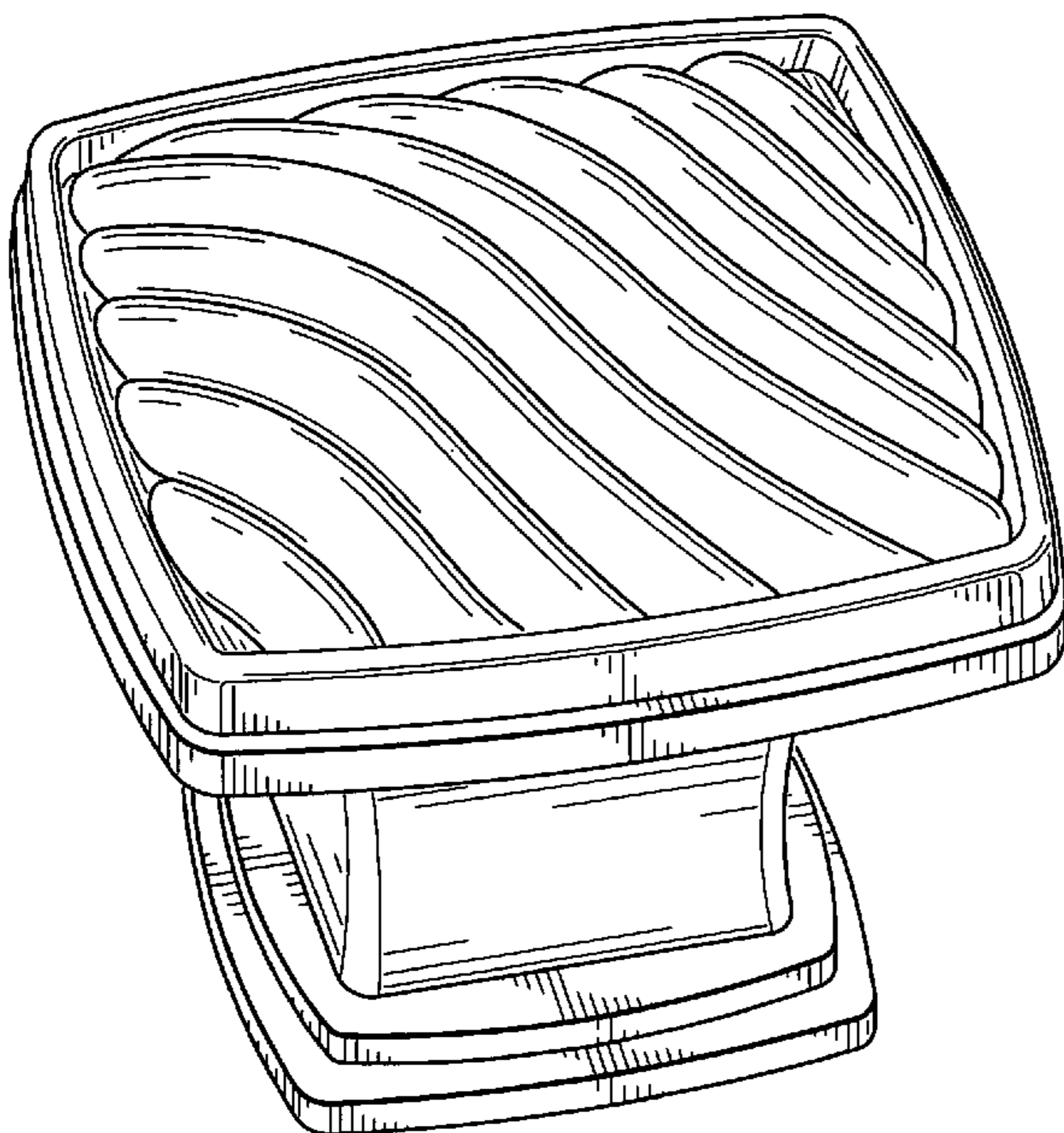
FIG. 3 is a top plan view thereof;

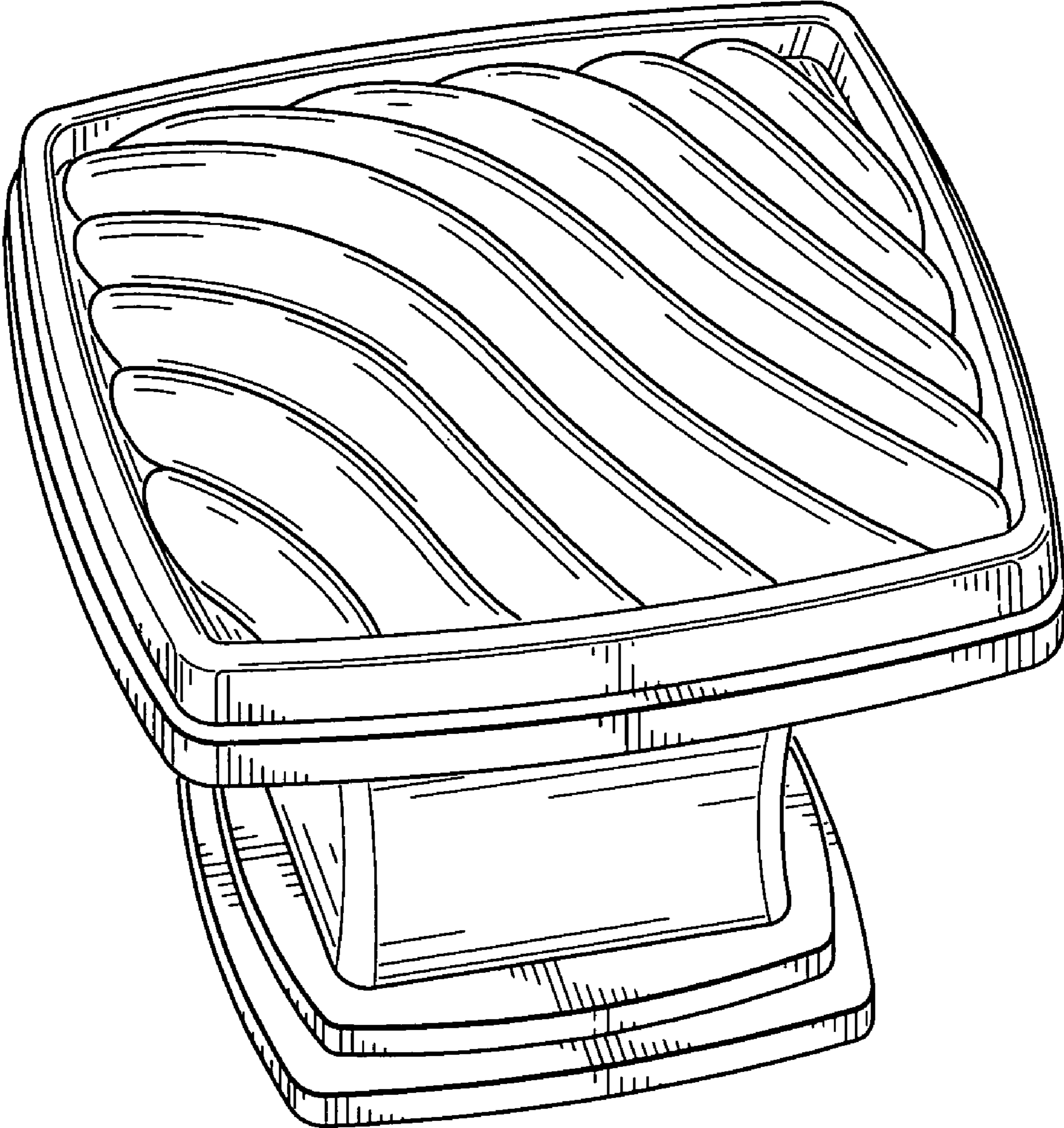
FIG. 4 is a lateral side elevational view thereof; and,

FIG. 5 is a bottom plan view thereof.

The broken lines form no part of the claimed design.

**1 Claim, 3 Drawing Sheets**





*FIG. 1*

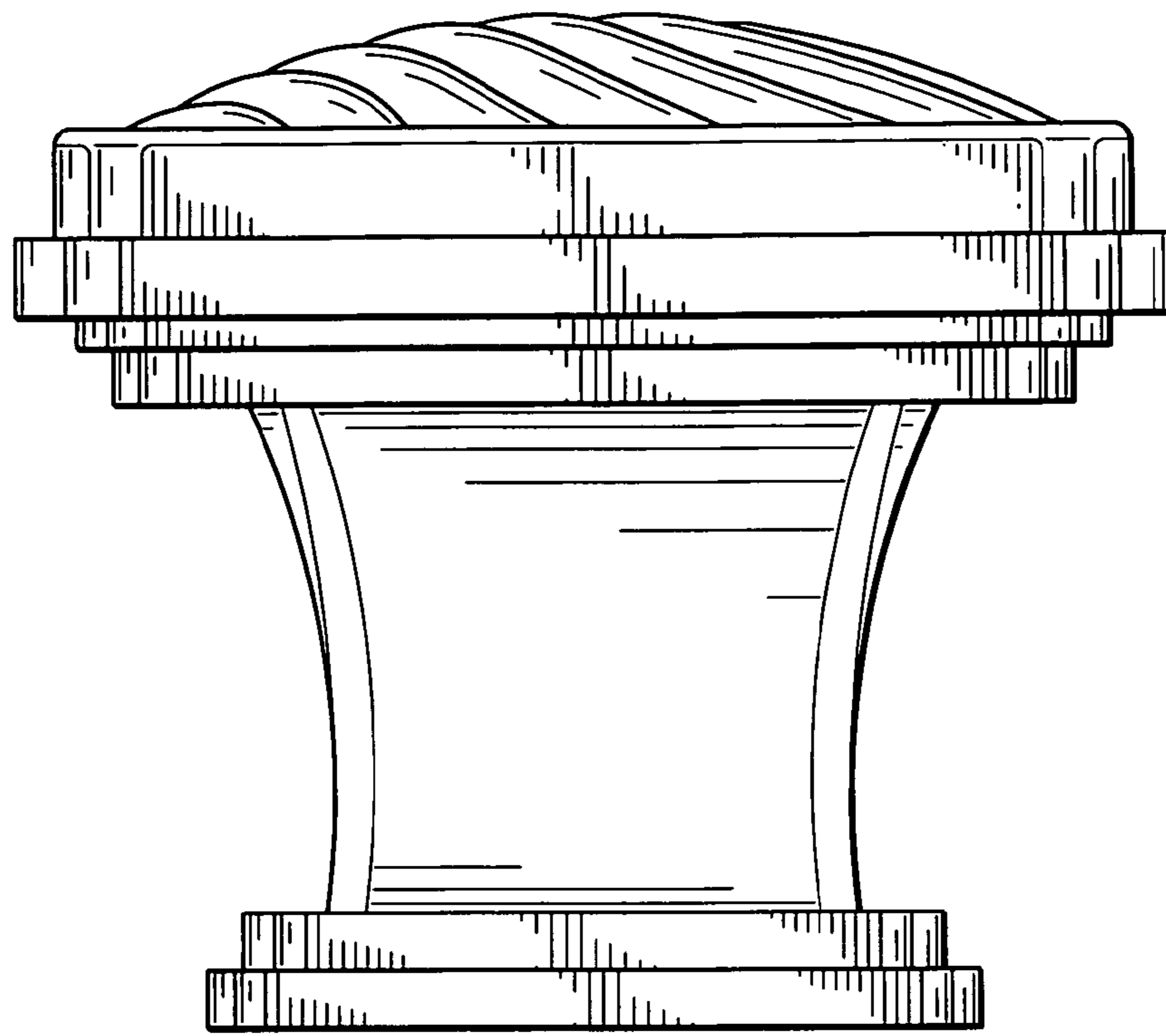


FIG. 2

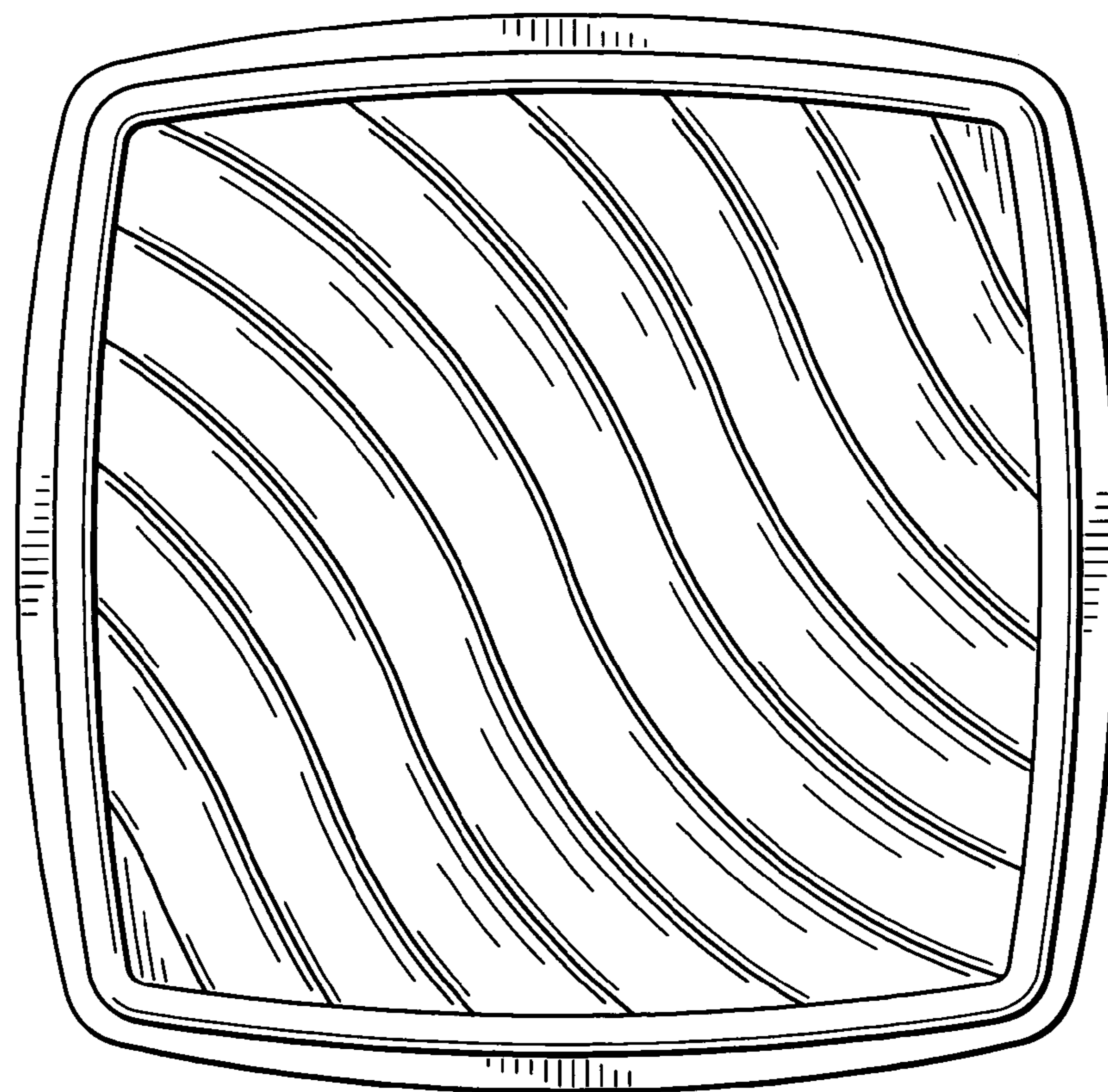
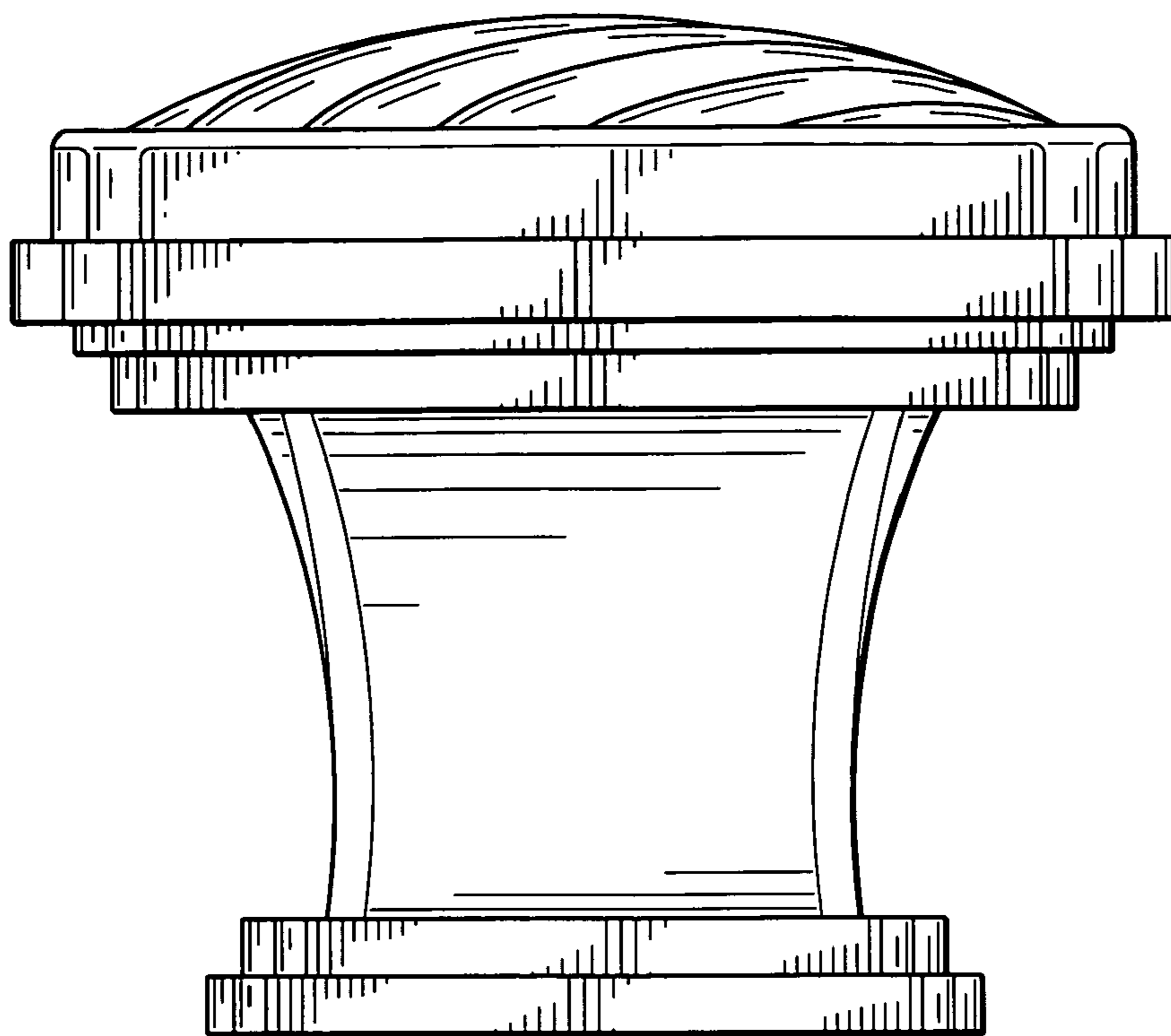
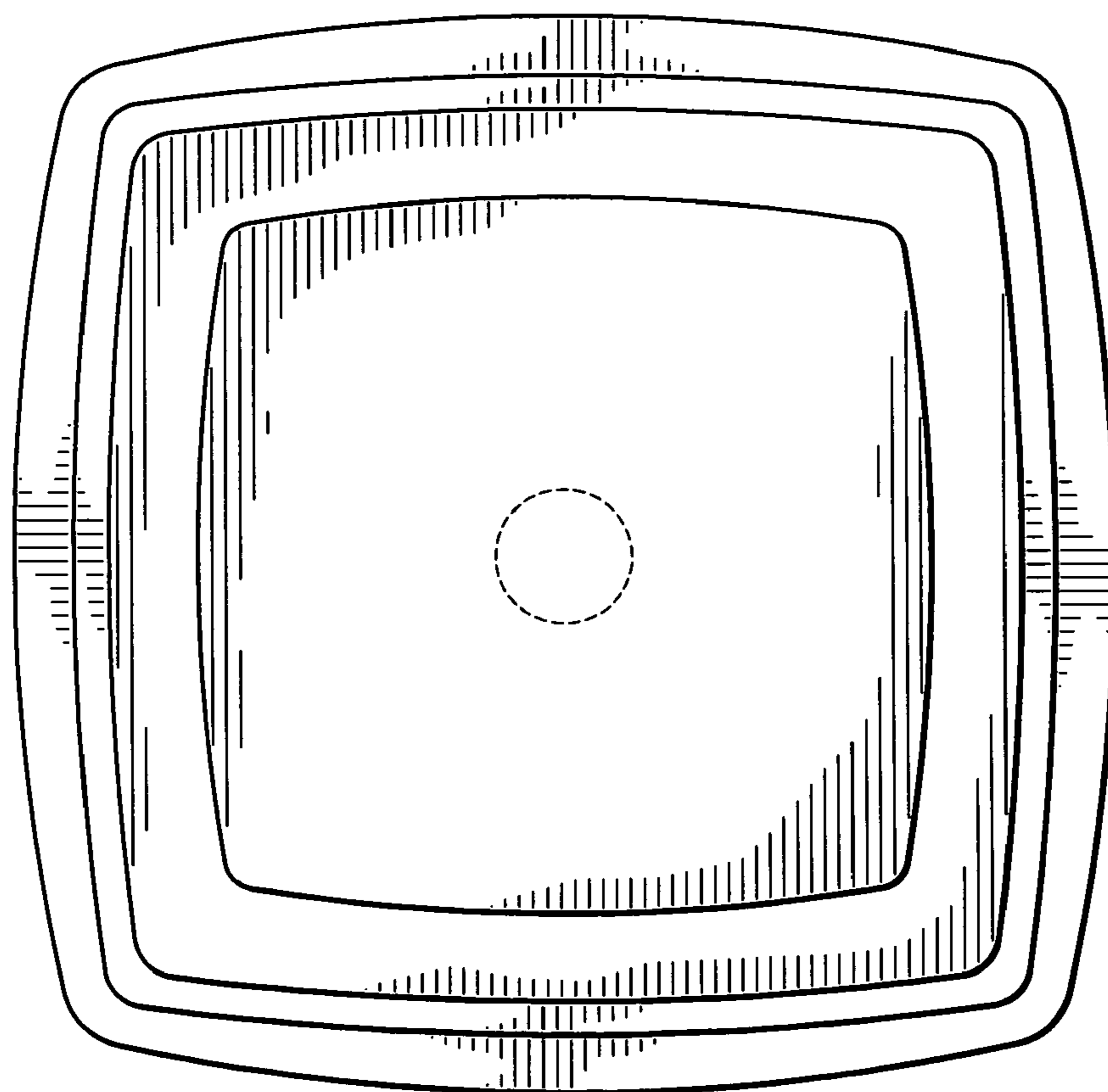


FIG. 3





*FIG. 4*



*FIG. 5*