



US00D602332S

(12) **United States Design Patent**
Hanes

(10) **Patent No.:** **US D602,332 S**

(45) **Date of Patent:** **** Oct. 20, 2009**

(54) **CABINET KNOB**

(76) **Inventor:** **Wendy Hanes**, 711 Palmetto Rd.,
Benton, LA (US) 71006

(**) **Term:** **14 Years**

(21) **Appl. No.:** **29/313,679**

(22) **Filed:** **Feb. 2, 2009**

(51) **LOC (9) Cl.** **08-06**

(52) **U.S. Cl.** **D8/307**

(58) **Field of Classification Search** D8/300,
D8/305, 307, 310, DIG. 2; 16/110.1, 402,
16/412, 414, 442, 441; 292/336.3, 347, 348,
292/350; D7/393; 403/357, 361; 24/113 R;
D5/66, 63, 25, 38; D21/389; D23/250, 252;
D11/95, 222, 115, 63, 68, 225, 241; D99/11,
D99/14

See application file for complete search history.

(56) **References Cited**

U.S. PATENT DOCUMENTS

D180,045 S *	4/1957	Truex	D8/310
D197,212 S *	12/1963	Clayton	D8/307
D290,495 S *	6/1987	Ryan	D23/250
D297,211 S *	8/1988	Rhoades	D8/310
D327,530 S *	6/1992	Rawald	D23/250
D361,491 S *	8/1995	Chieda	D8/310
D361,492 S *	8/1995	Chieda	D8/310
D442,055 S *	5/2001	Dewald et al.	D8/310
D540,142 S *	4/2007	Rexach	D8/307

D541,619 S *	5/2007	Ricereto	D8/307
D549,544 S *	8/2007	Mattson et al.	D8/307
D564,332 S *	3/2008	McConnell	D8/310
D567,057 S *	4/2008	Tor Verges	D8/307
D579,303 S *	10/2008	Schneider	D8/307

* cited by examiner

Primary Examiner—Paula Greene

(74) *Attorney, Agent, or Firm*—Schultz & Associates, P.C.

(57) **CLAIM**

The ornamental design for a cabinet knob, as shown and described.

DESCRIPTION

FIG. 1 is an isometric view of the cabinet knob in accordance with the present invention; and,

FIG. 2 is a side elevation view of the cabinet knob in accordance with the present invention.

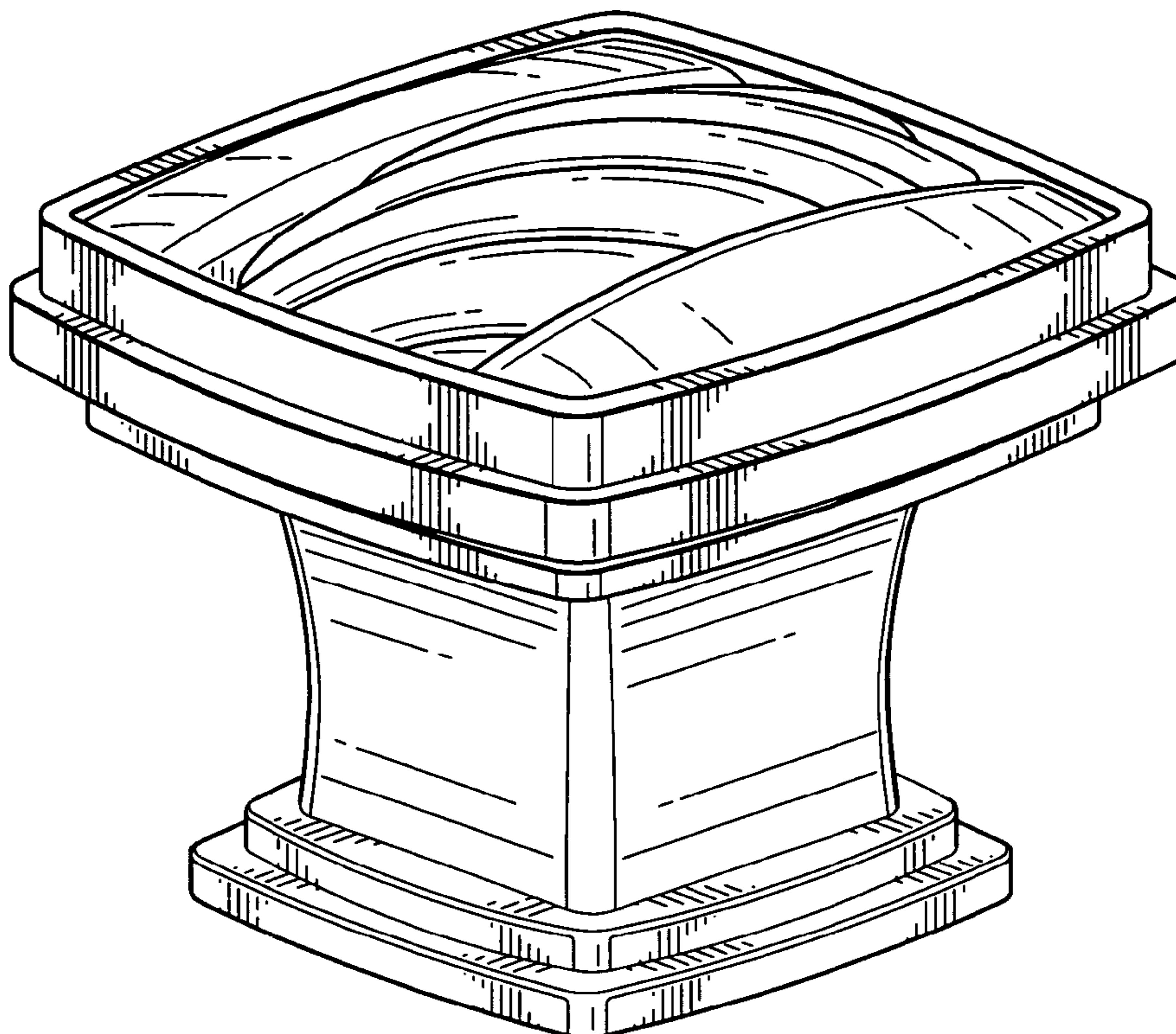
FIG. 3 is a top view of the cabinet knob in accordance with the present invention.

FIG. 4 is a side elevation view of the cabinet knob in accordance with the present invention; and,

FIG. 5 is a bottom view of the cabinet knob in accordance with the present invention, the bottom surfaces are flat and unornamented.

Any dashed lines depict environment and are not part of the claimed design.

1 Claim, 3 Drawing Sheets



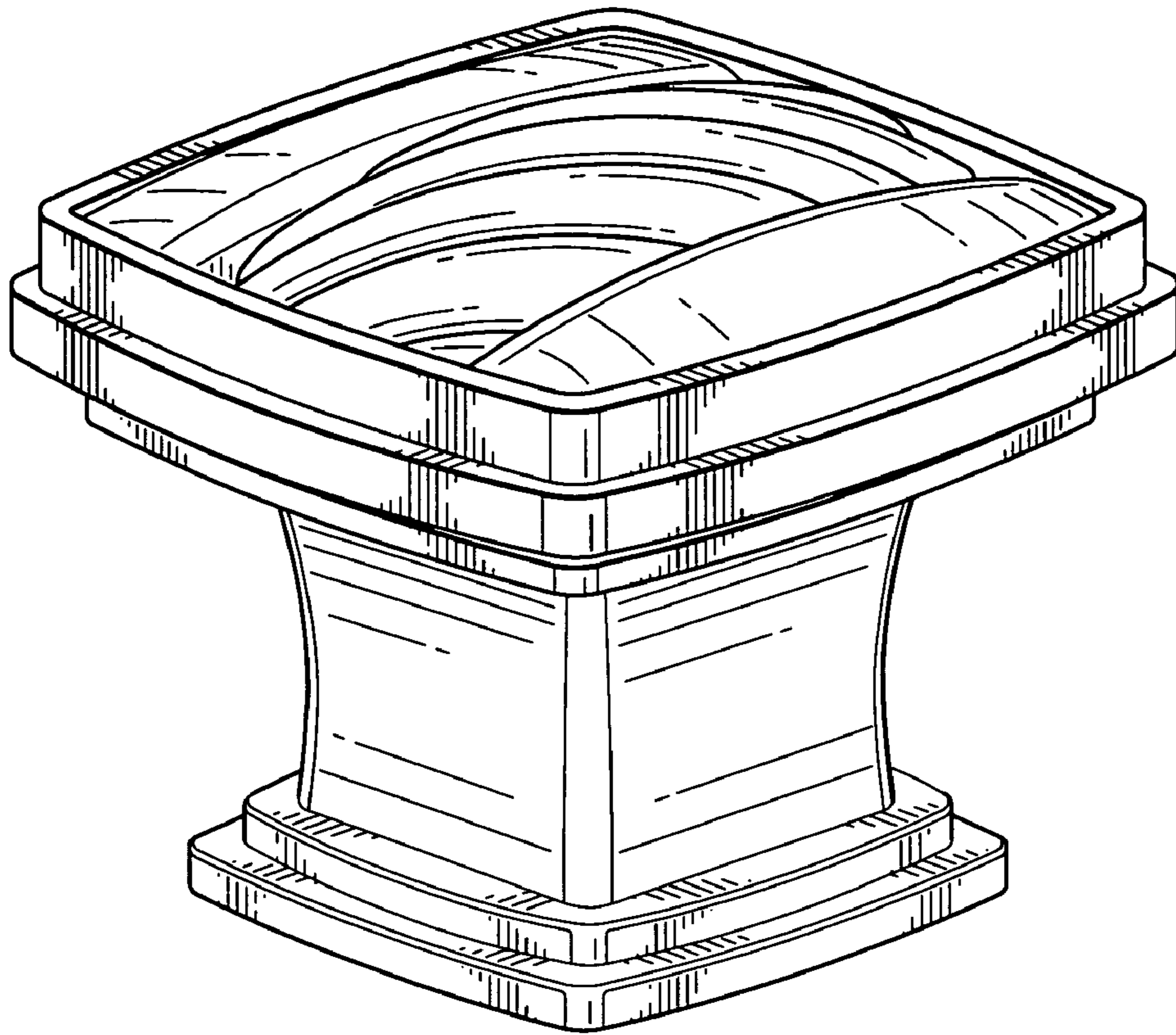


FIG. 1

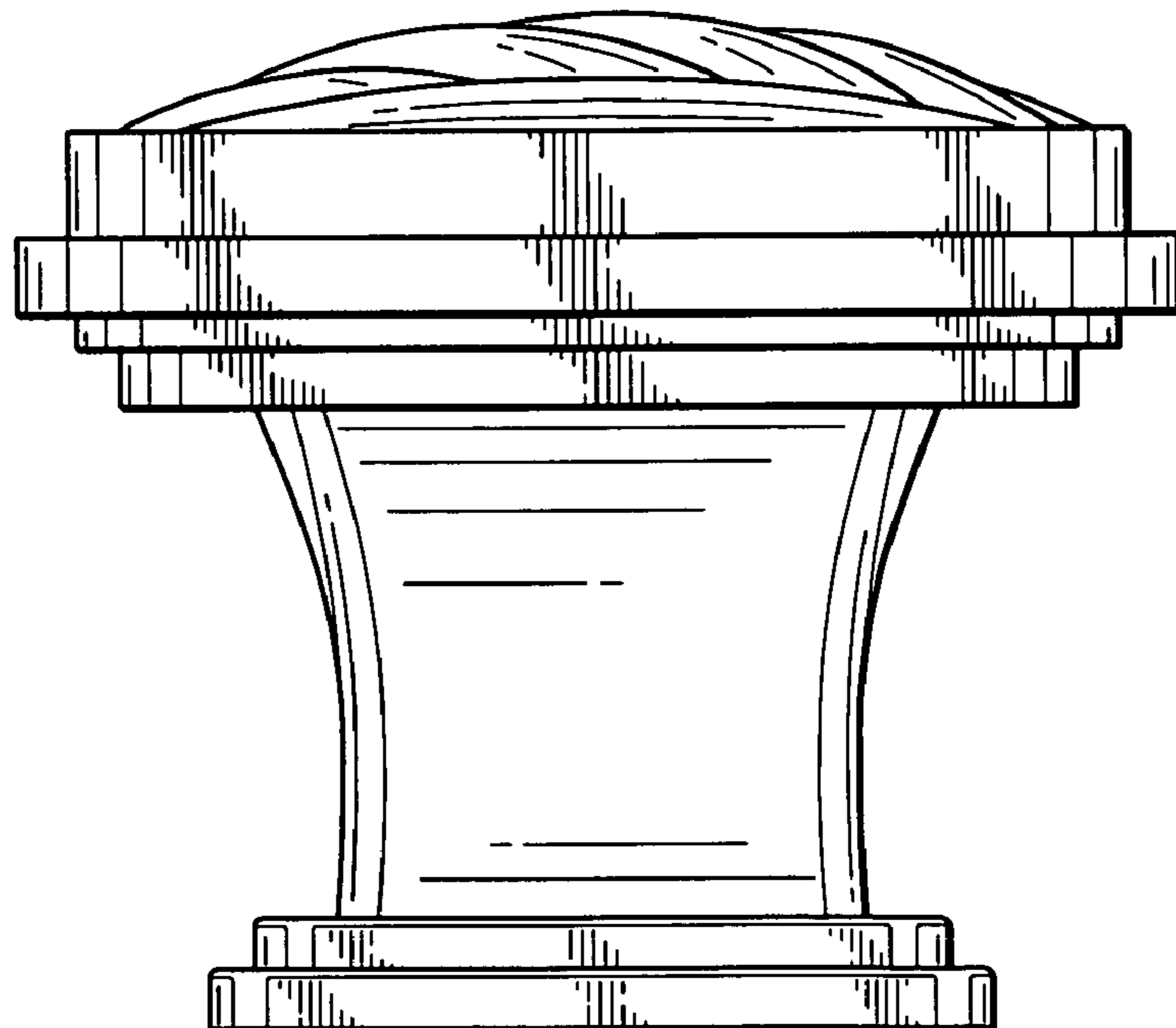


FIG. 2

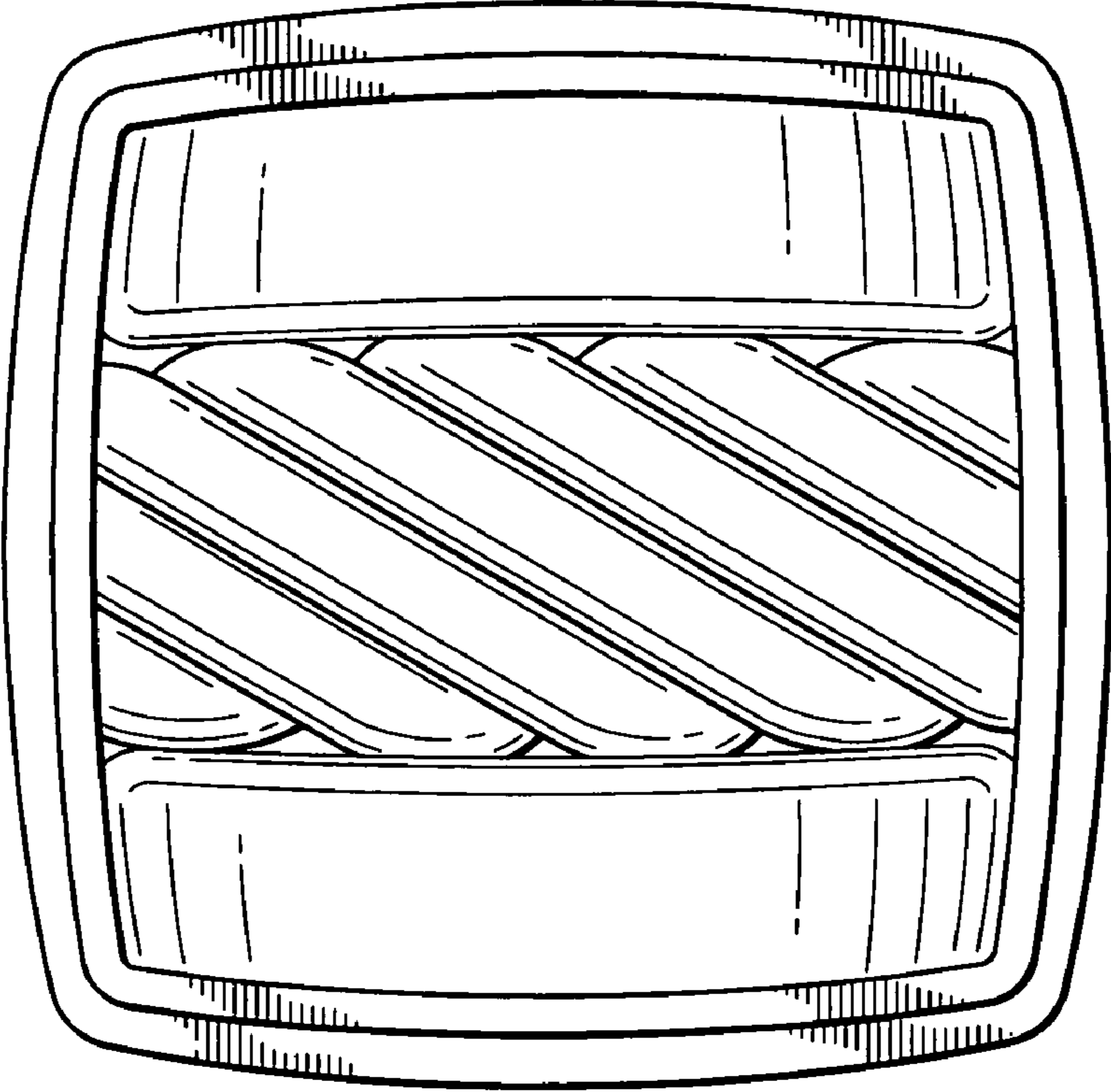


FIG. 3

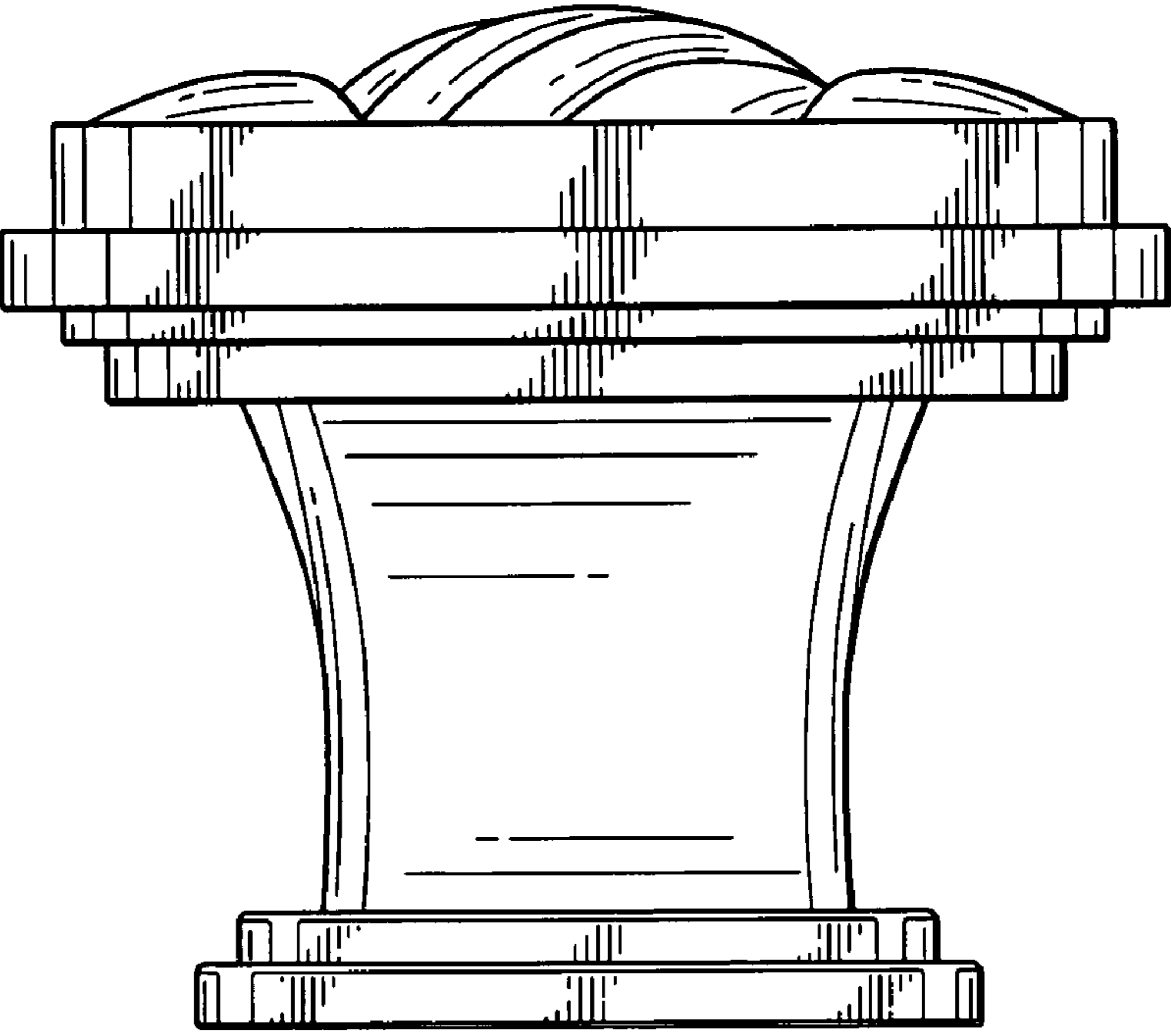


FIG. 4

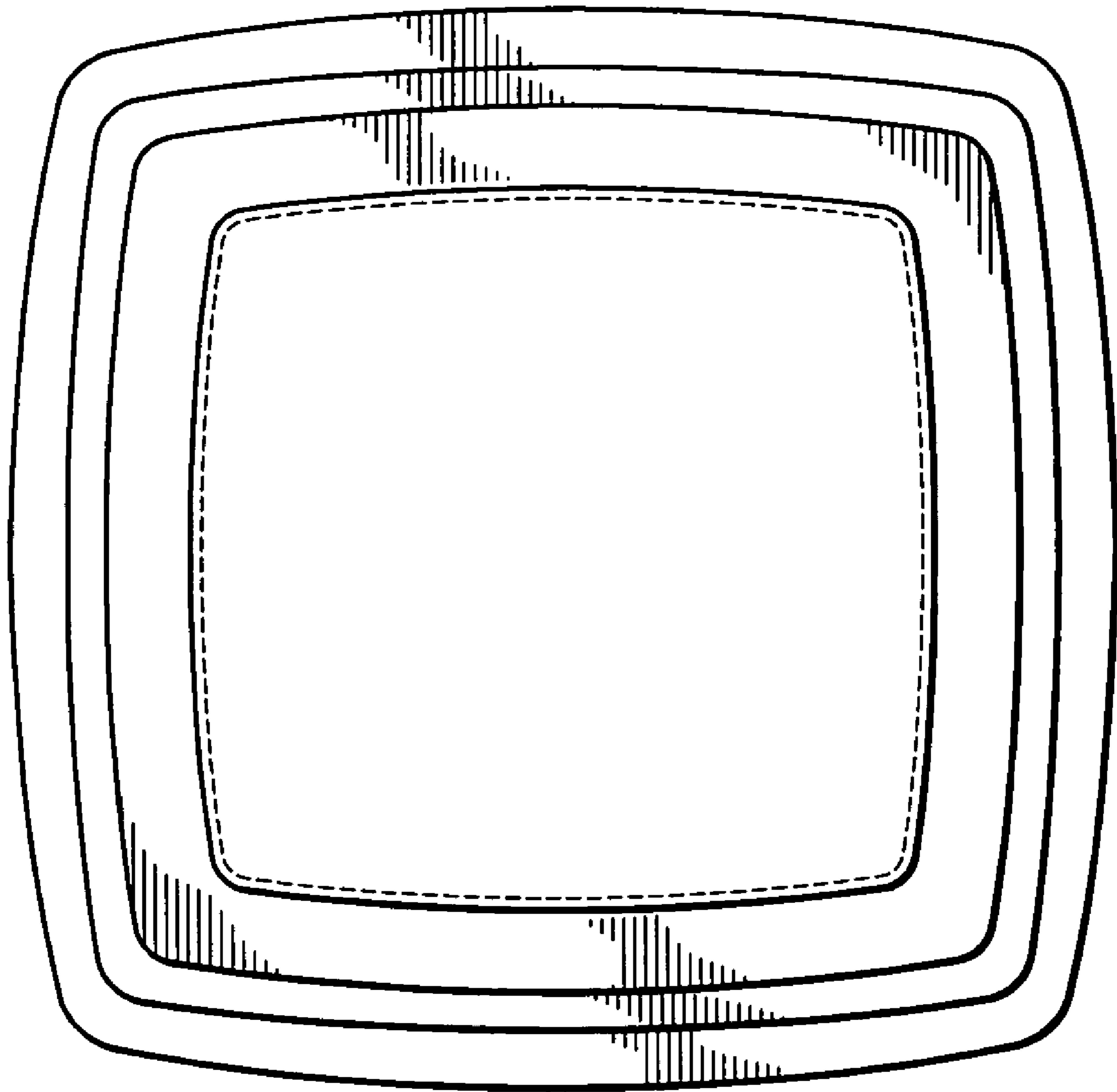


FIG. 5