



US00D602331S

(12) **United States Design Patent**
Owens

(10) **Patent No.:** **US D602,331 S**

(45) **Date of Patent:** **** Oct. 20, 2009**

(54) **CABINET KNOB**

(76) Inventor: **Ashley Maric Owens**, 4319 Marlena St.,
Bossier City, LA (US) 71111

(**) Term: **14 Years**

(21) Appl. No.: **29/313,388**

(22) Filed: **Dec. 31, 2008**

(51) **LOC (9) Cl.** **08-06**

(52) **U.S. Cl.** **D8/307**

(58) **Field of Classification Search** D8/300,
D8/307, 310, DIG. 2, DIG. 3; D7/392, 393;
16/110.1, 417, 441; 292/336.3, 337, 347;
D23/250, 252; D99/11; 40/331; D6/524,
D6/545, 580, 578; 220/752, 753

See application file for complete search history.

(56) **References Cited**

U.S. PATENT DOCUMENTS

D205,349 S *	7/1966	Clayton	D8/316
D208,689 S *	9/1967	Morgan	D8/317
D227,737 S *	7/1973	Chasen	D8/307
D368,842 S *	4/1996	Sonnenleiter	D8/317
D372,657 S *	8/1996	De'Armond	D8/307
D399,406 S *	10/1998	Decursu et al.	D8/317
D403,230 S *	12/1998	Ziemer et al.	D8/317
D418,389 S *	1/2000	O'Neil	D8/317
D424,402 S *	5/2000	Caugh et al.	D8/317
D431,445 S *	10/2000	Short	D8/316
D485,153 S *	1/2004	Dewald et al.	D8/307
D515,394 S *	2/2006	Citterio	D8/300

D570,185 S * 6/2008 Hanes D8/315
D580,733 S * 11/2008 Hanes D8/307

* cited by examiner

Primary Examiner—Paula Greene

(74) *Attorney, Agent, or Firm*—Schultz & Associates, P.C.

(57) **CLAIM**

The ornamental design for a cabinet knob, as shown and described.

DESCRIPTION

FIG. 1 is a top isometric view of the cabinet knob in accordance with the present invention; and,

FIG. 2 is a longitudinal side elevation view of the cabinet knob in accordance with the present invention.

FIG. 3 is a longitudinal side elevation view of the cabinet knob in accordance with the present invention.

FIG. 4 is a top view of the cabinet knob in accordance with the present invention.

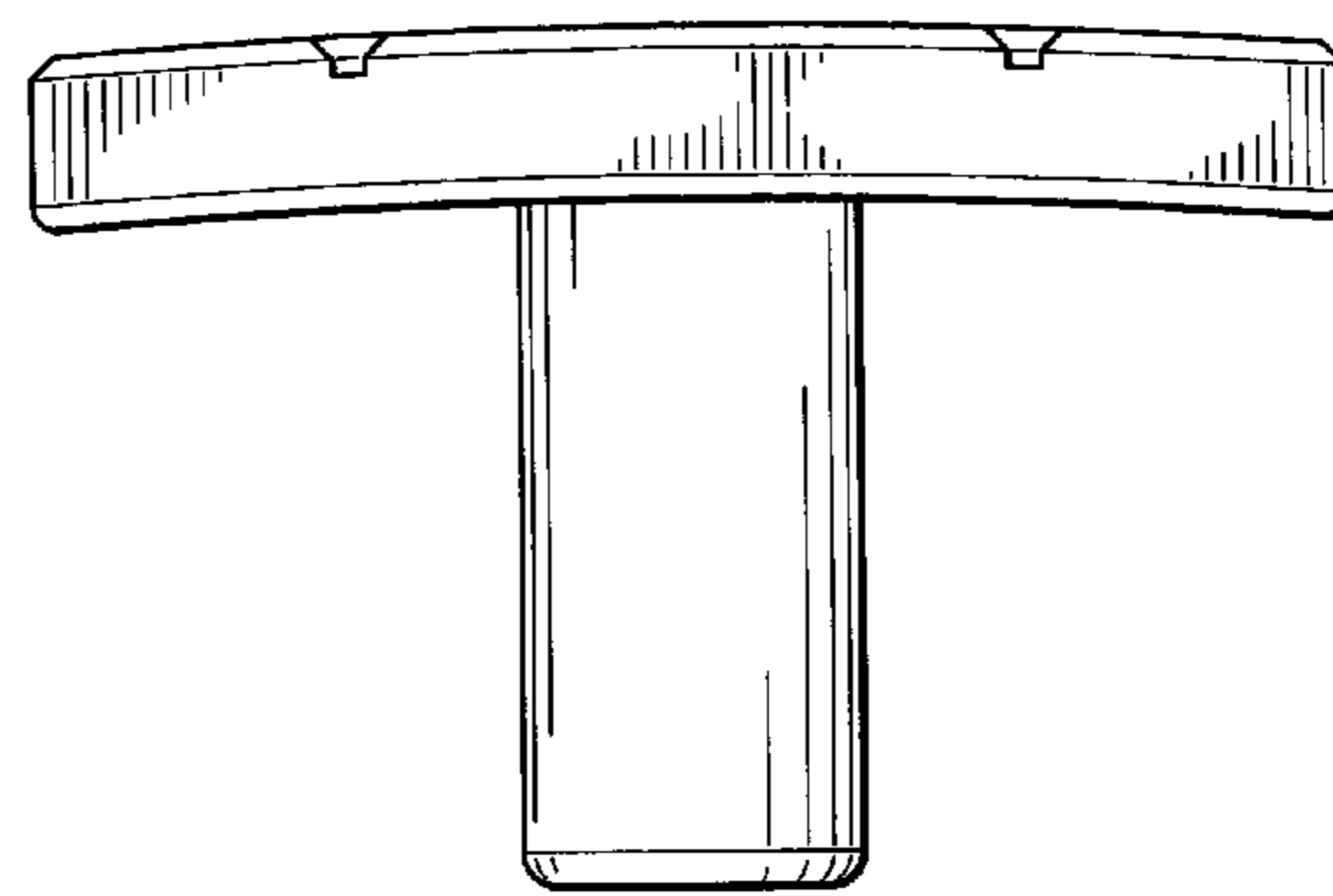
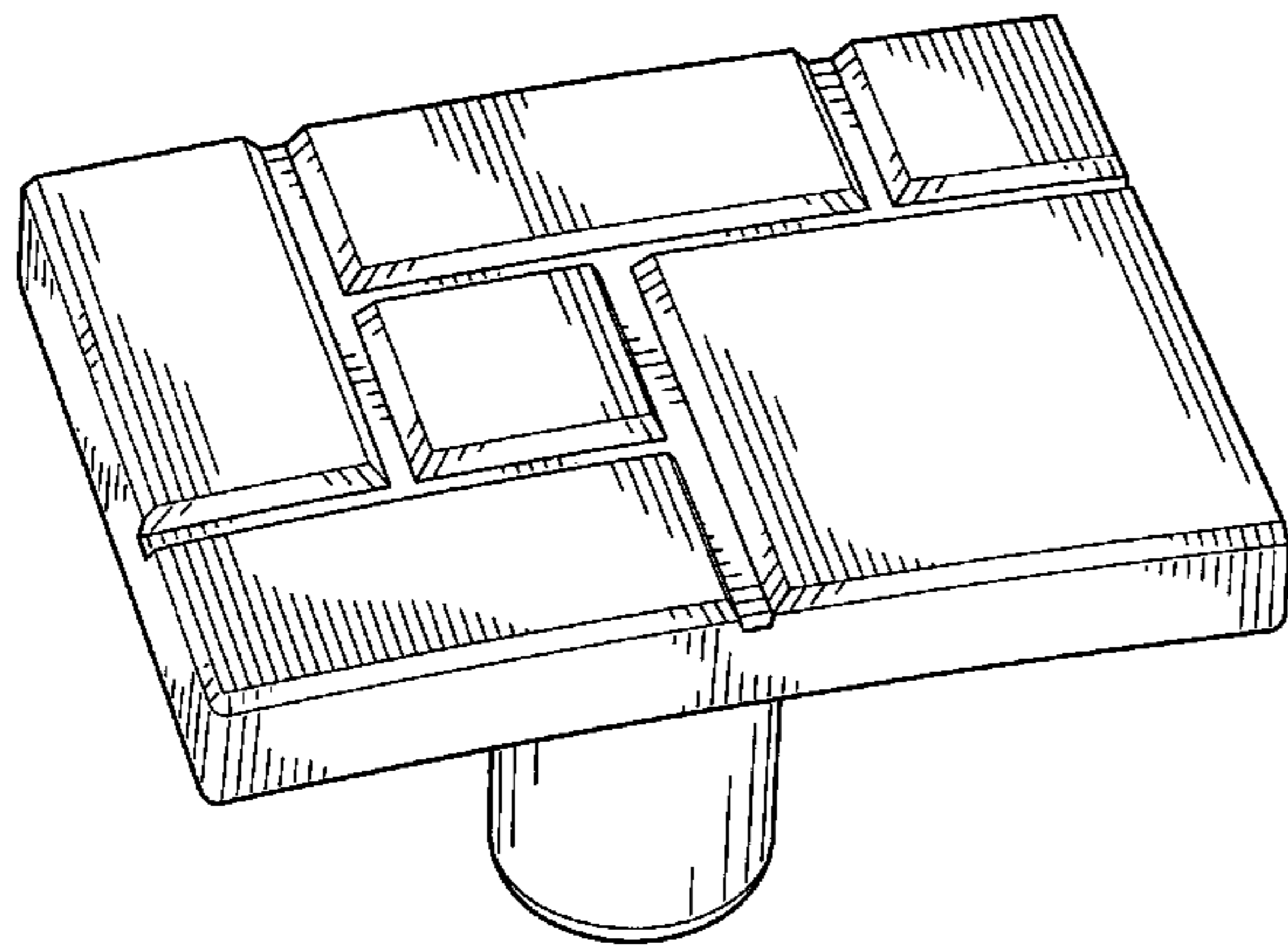
FIG. 5 is a lateral side elevation view of the cabinet knob in accordance with the present invention.

FIG. 6 is a lateral side elevation view of the cabinet knob in accordance with the present invention; and,

FIG. 7 is a bottom view of the cabinet knob in accordance with the present invention.

The broken lines are included for the purpose of illustration and form no part of the claimed design.

1 Claim, 4 Drawing Sheets



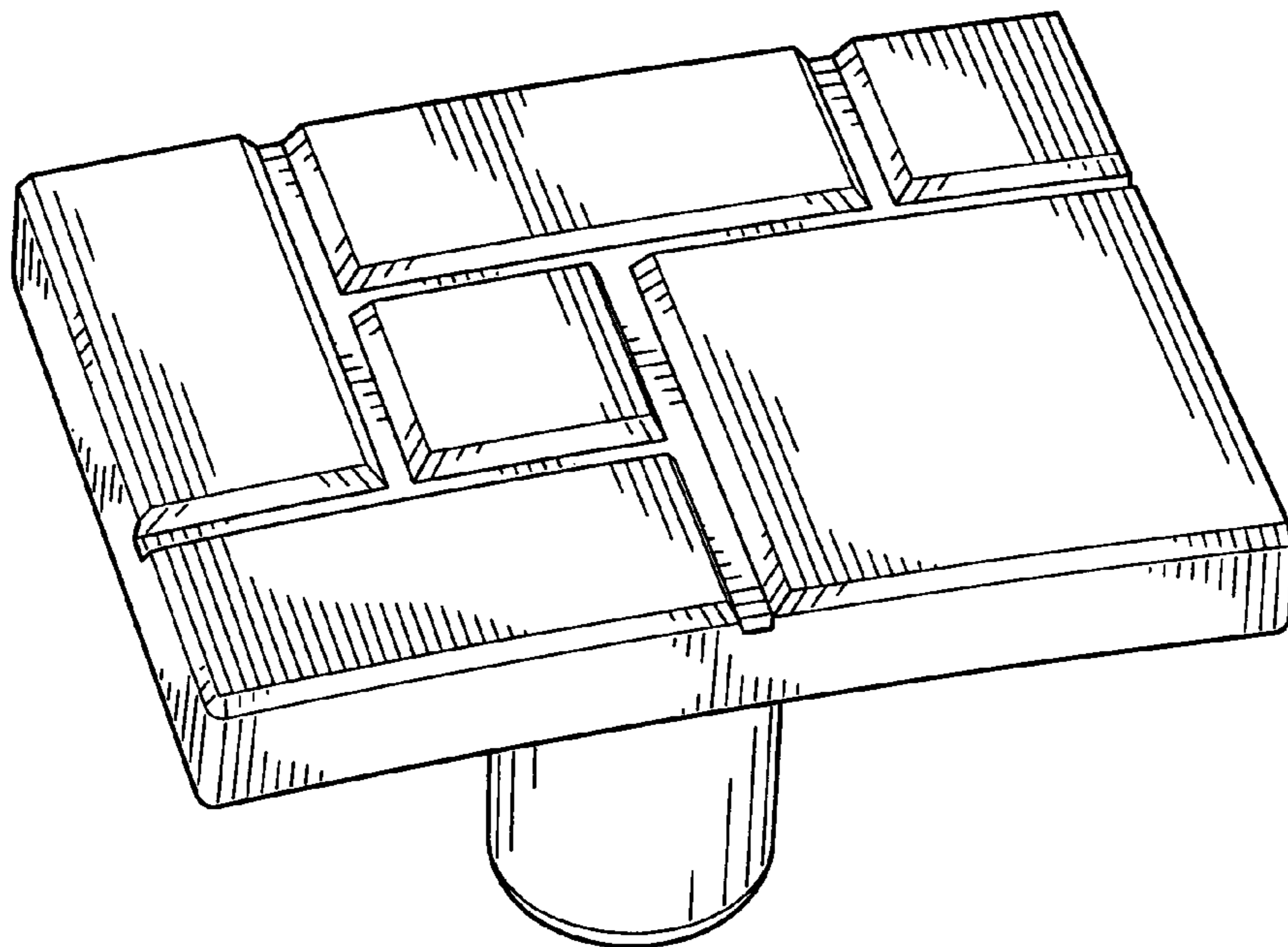


FIG. 1

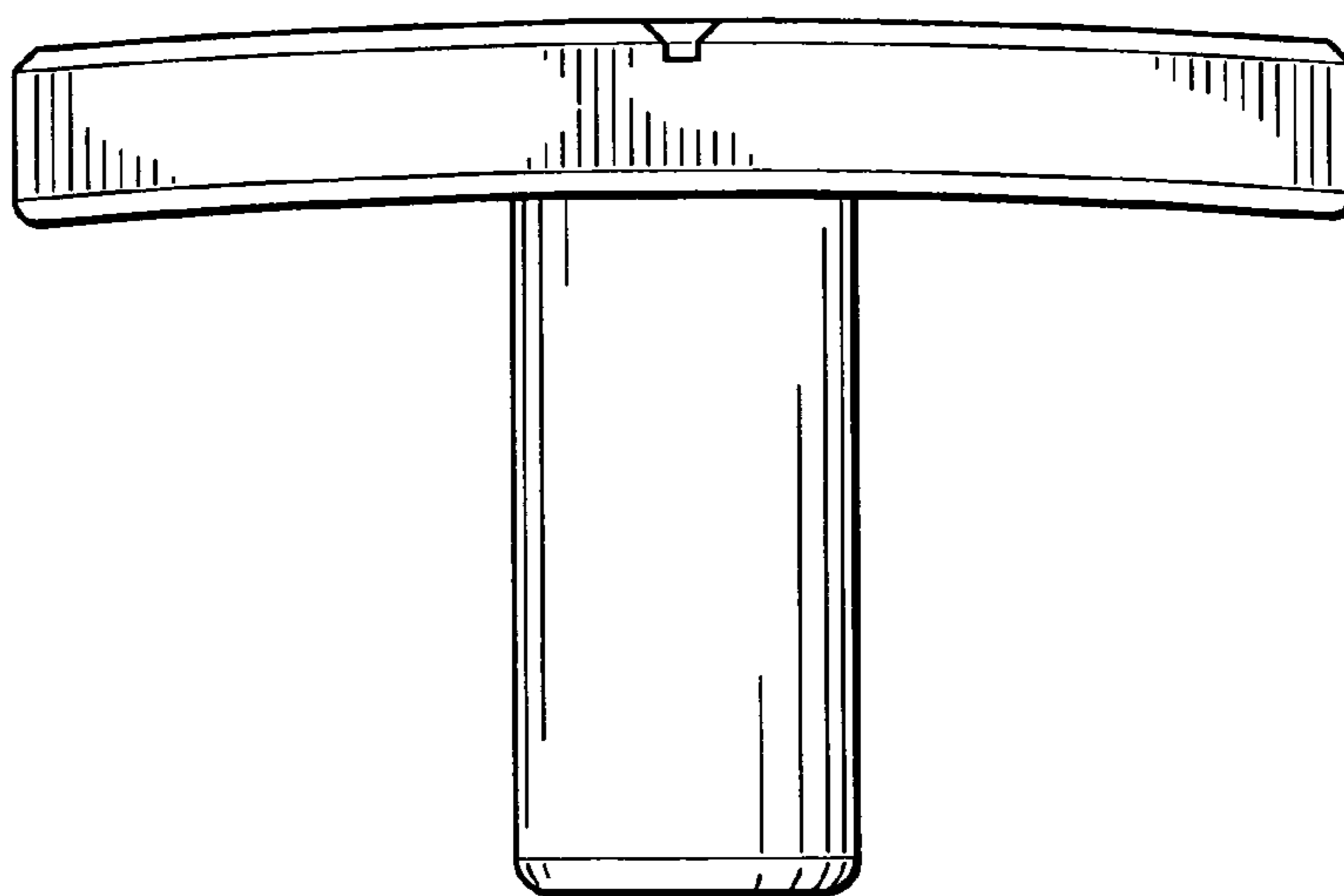


FIG. 2

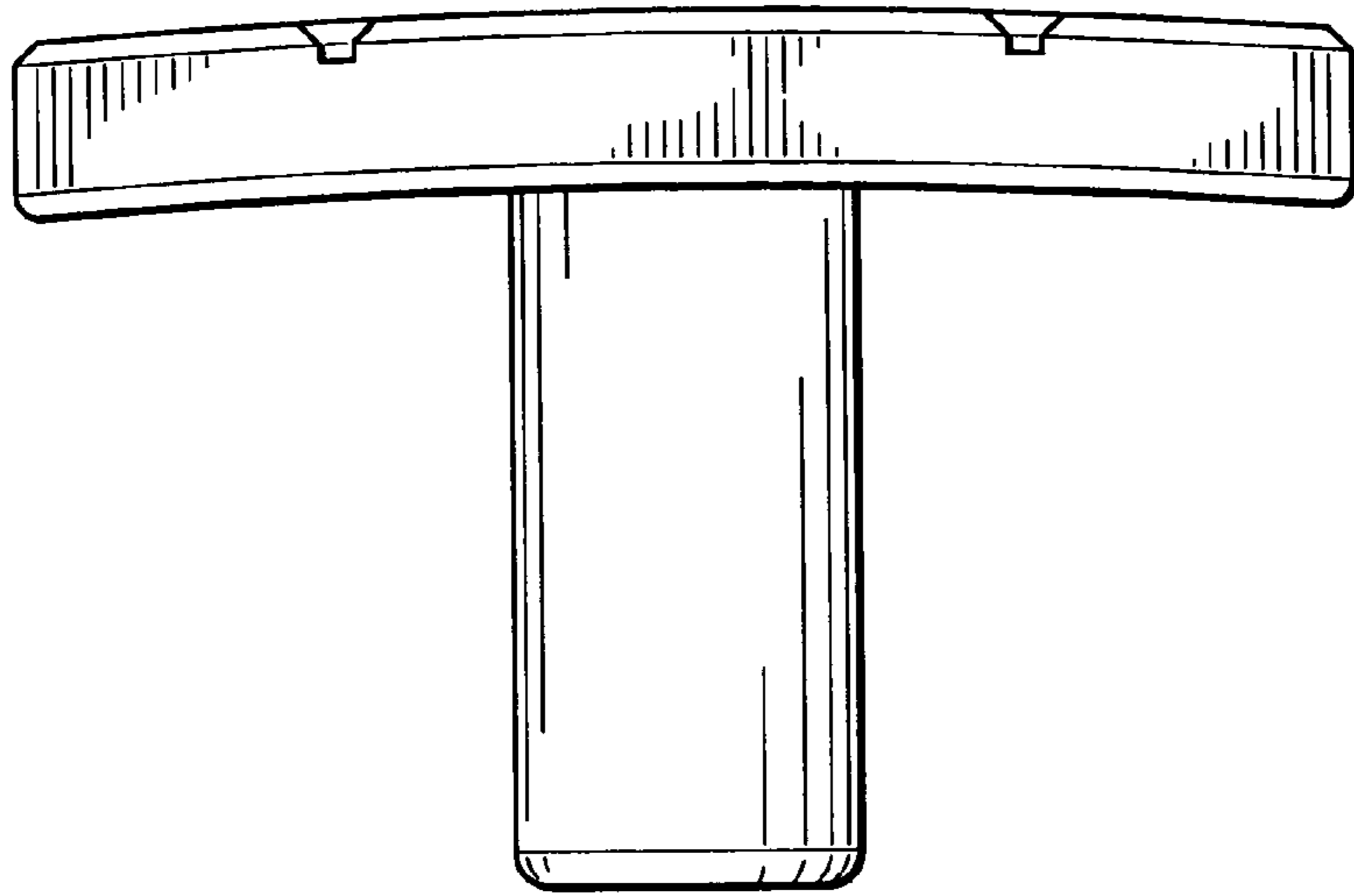


FIG. 3

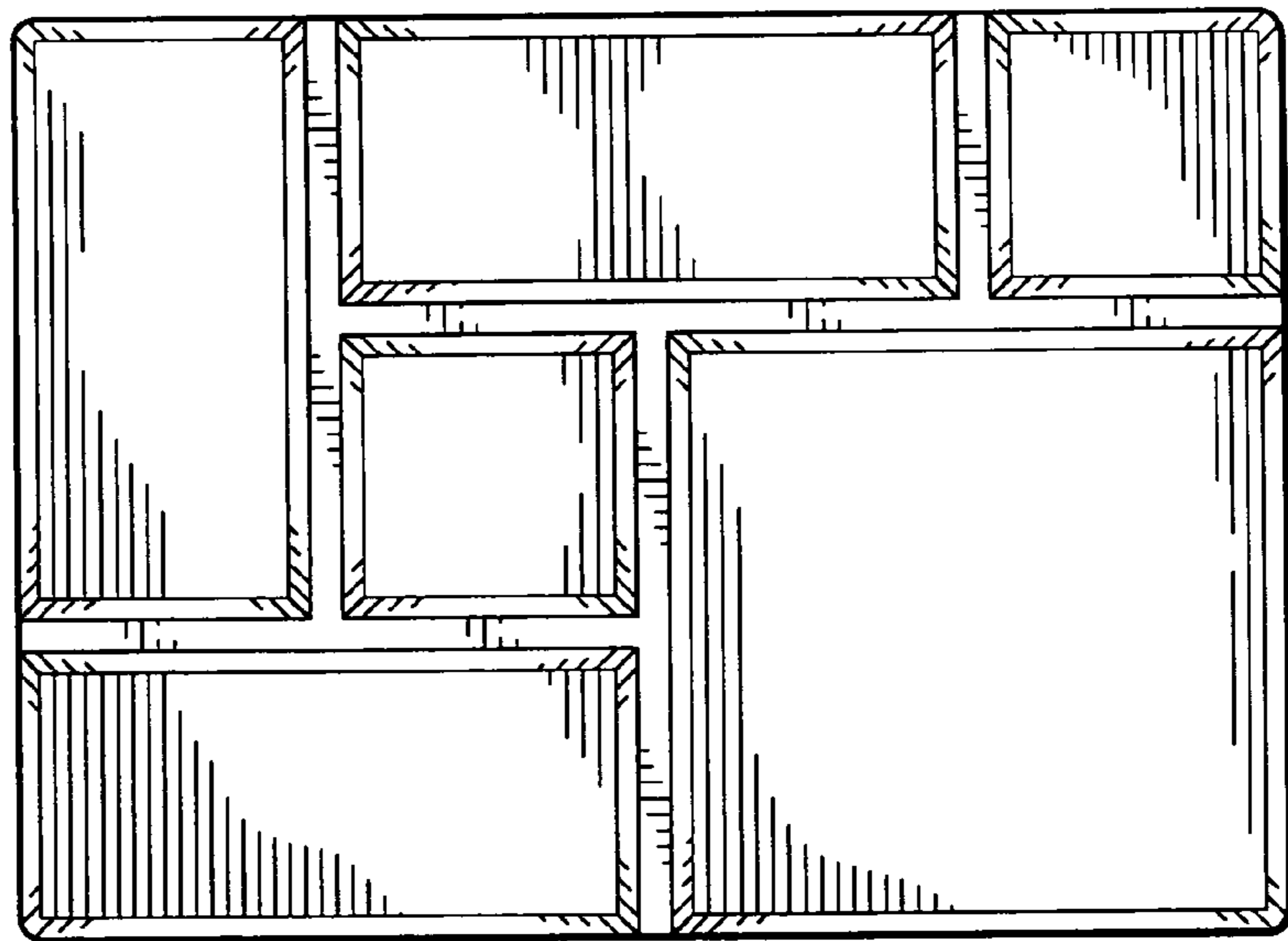


FIG. 4

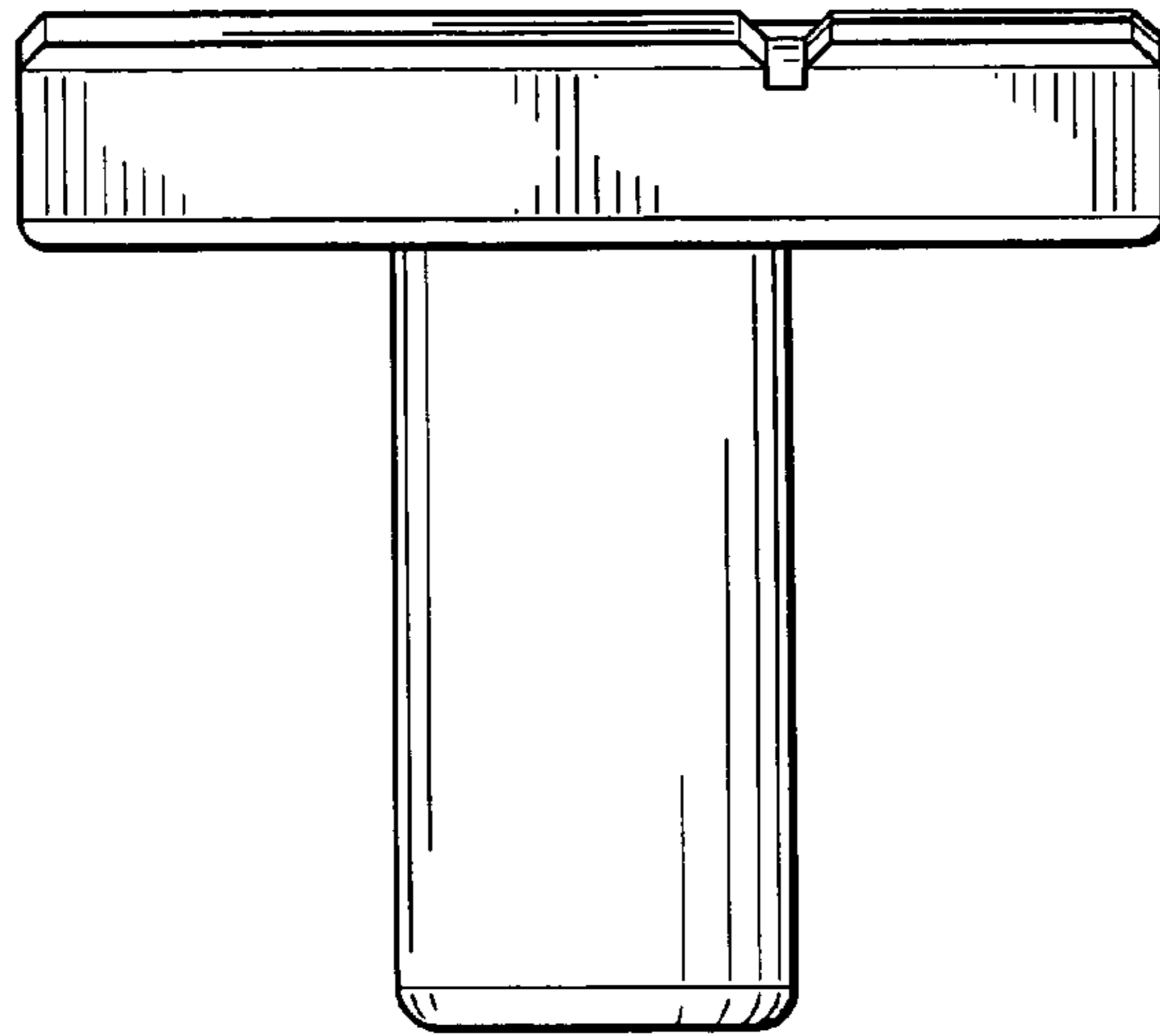


FIG. 5

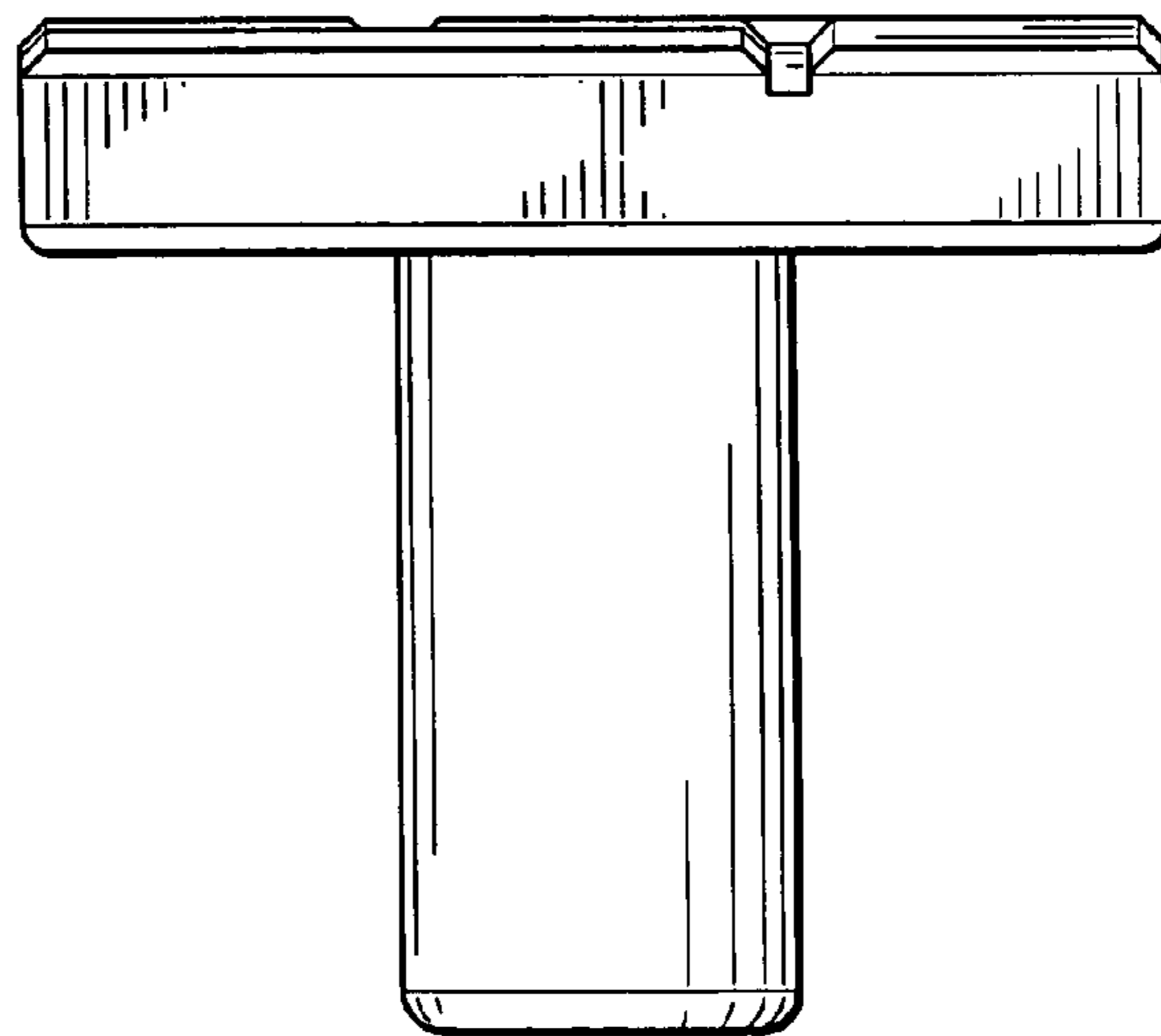


FIG. 6

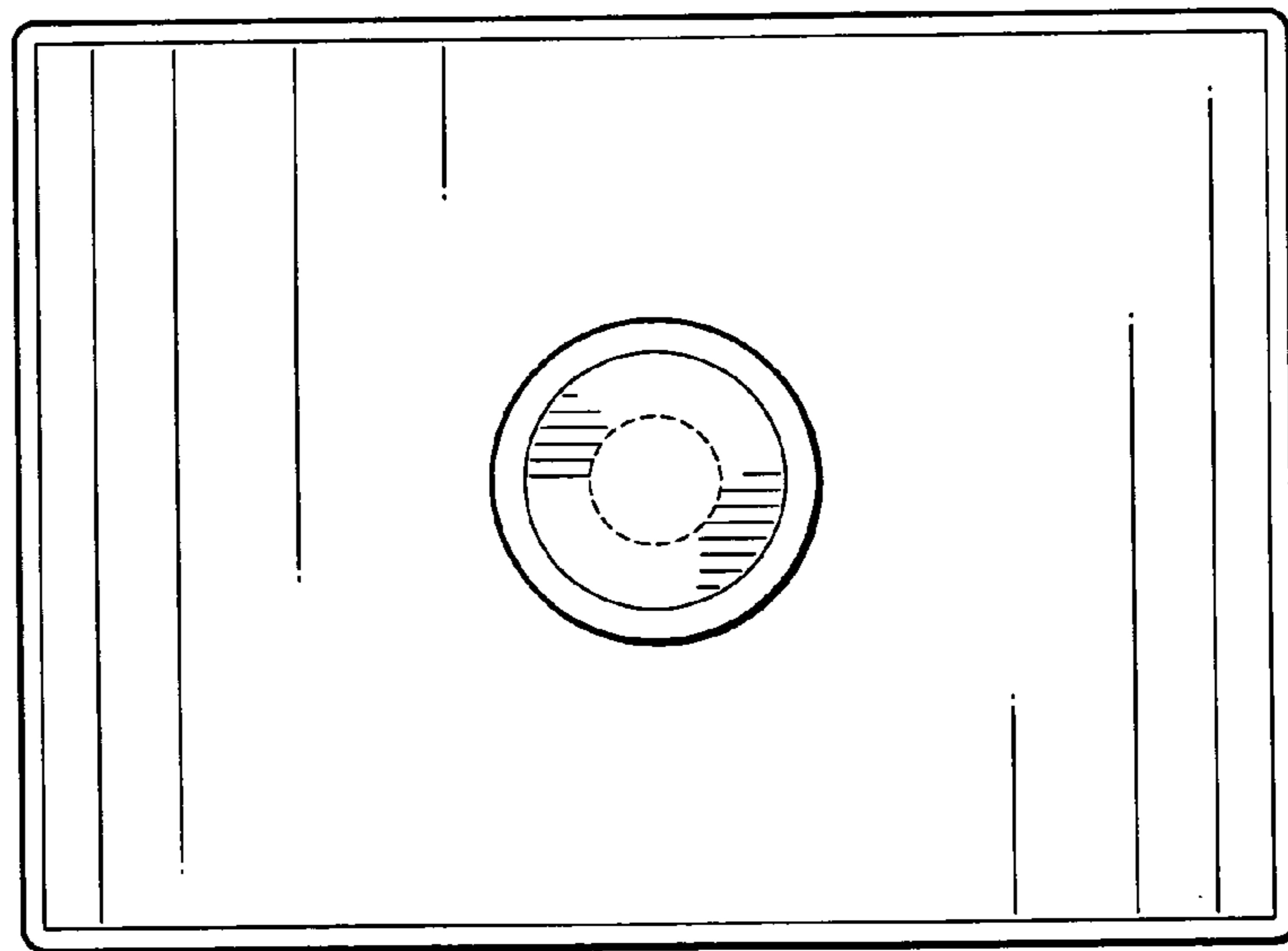


FIG. 7