



US00D602330S

(12) **United States Design Patent**
Hanes

(10) **Patent No.:** **US D602,330 S**

(45) **Date of Patent:** **** Oct. 20, 2009**

(54) **CABINET KNOB**

(76) **Inventor:** **Wendy Hanes**, 711 Palmetto Rd.,
Benton, LA (US) 71006

(**) **Term:** **14 Years**

(21) **Appl. No.:** **29/313,384**

(22) **Filed:** **Dec. 31, 2008**

(51) **LOC (9) Cl.** **08-06**

(52) **U.S. Cl.** **D8/307**

(58) **Field of Classification Search** D8/300,
D8/307, 310, DIG. 2, DIG. 3; D7/392, 393;
16/110.1, 417, 441; 292/336.3, 337, 347;
D23/250, 252; D99/11; D6/524, 545, 580,
D6/578; 40/331; 220/752, 753

See application file for complete search history.

(56) **References Cited**

U.S. PATENT DOCUMENTS

D47,069	S	*	3/1915	Burns	D8/307
D253,513	S	*	11/1979	Bertani	D8/307
4,193,166	A	*	3/1980	Neff	16/441
D274,690	S	*	7/1984	Cesaroni	D8/310
D290,493	S	*	6/1987	Dragos	D23/250
D327,530	S	*	6/1992	Rawald	D23/250
5,499,427	A	*	3/1996	Bowman	16/417
D429,991	S	*	8/2000	Short	D8/307
D444,028	S	*	6/2001	Rae	D7/393
D526,883	S	*	8/2006	Gilbert	D8/312
D537,319	S	*	2/2007	Fields	D8/310
D568,139	S	*	5/2008	Hanes	D8/312

D568,140	S	*	5/2008	Hanes	D8/316
D568,141	S	*	5/2008	Hanes	D8/320
D570,183	S	*	6/2008	Hanes	D8/305
D570,185	S	*	6/2008	Hanes	D8/315
D570,186	S	*	6/2008	Hanes	D8/317
D570,187	S	*	6/2008	Hanes	D8/317
D580,733	S	*	11/2008	Hanes	D8/307
D589,323	S	*	3/2009	Hanes	D8/307

* cited by examiner

Primary Examiner—Paula Greene

(74) *Attorney, Agent, or Firm*—Schultz & Associates, P.C.

(57) **CLAIM**

The ornamental design for a cabinet knob, as shown and described.

DESCRIPTION

FIG. 1 is a top isometric view of the cabinet knob in accordance with the present invention; and,

FIG. 2 is a side elevation view of the cabinet knob in accordance with the present invention.

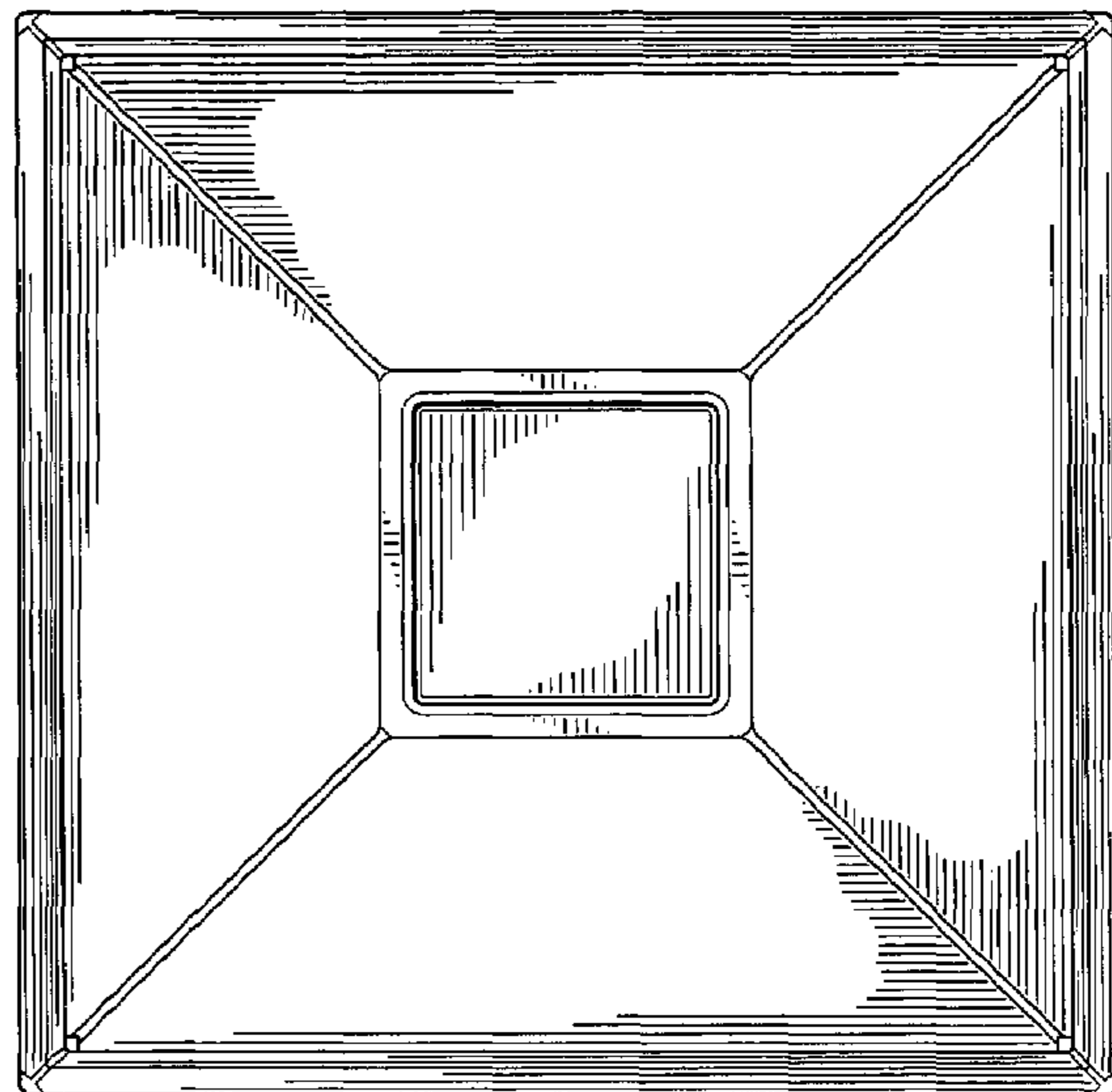
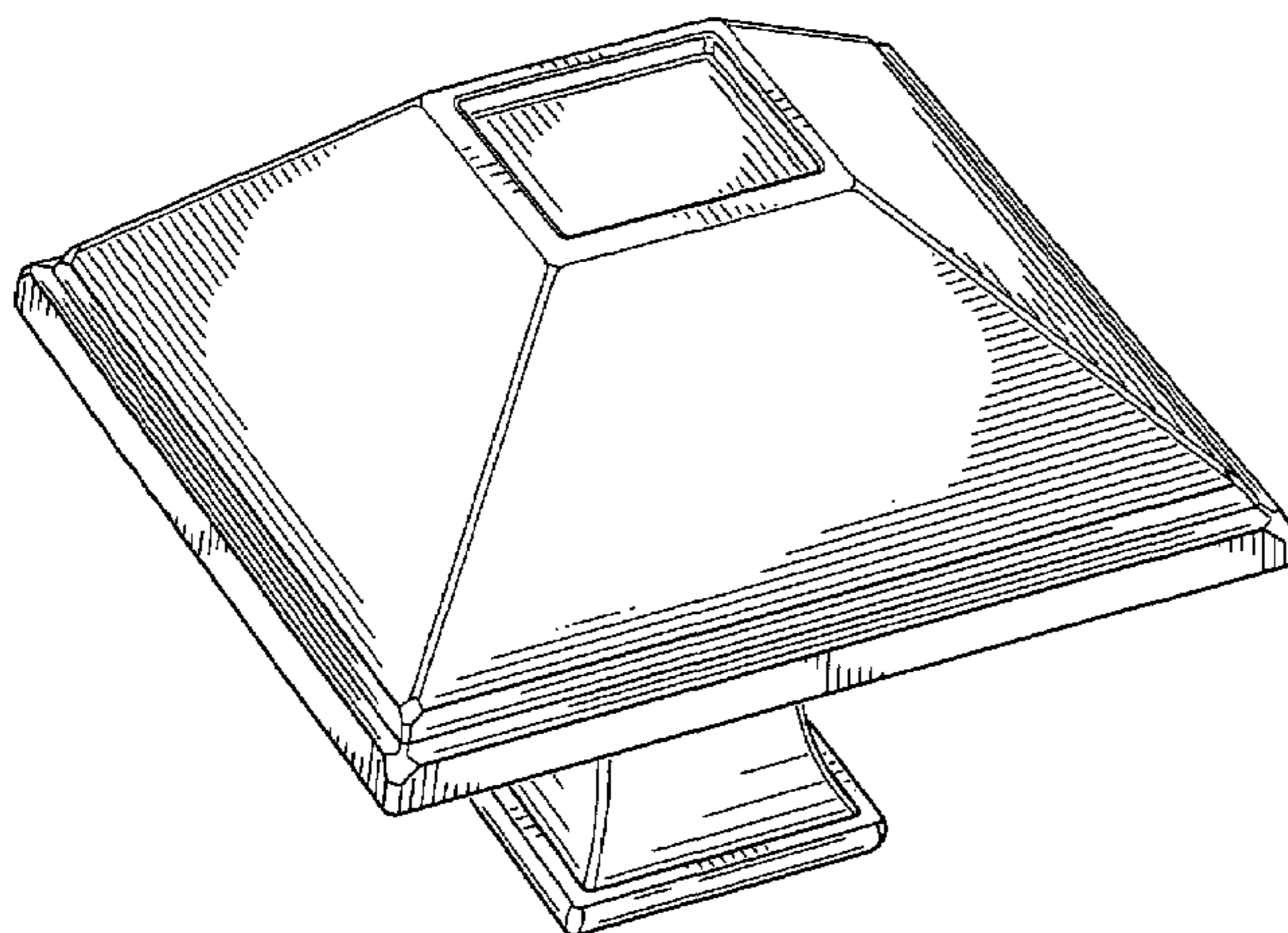
FIG. 3 is a top view of the cabinet knob in accordance with the present invention.

FIG. 4 is a side elevation view of the cabinet knob in accordance with the present invention; and,

FIG. 5 is a bottom view of the cabinet knob in accordance with the present invention.

The broken lines are included for the purpose of illustration and form no part of the claimed design.

1 Claim, 3 Drawing Sheets



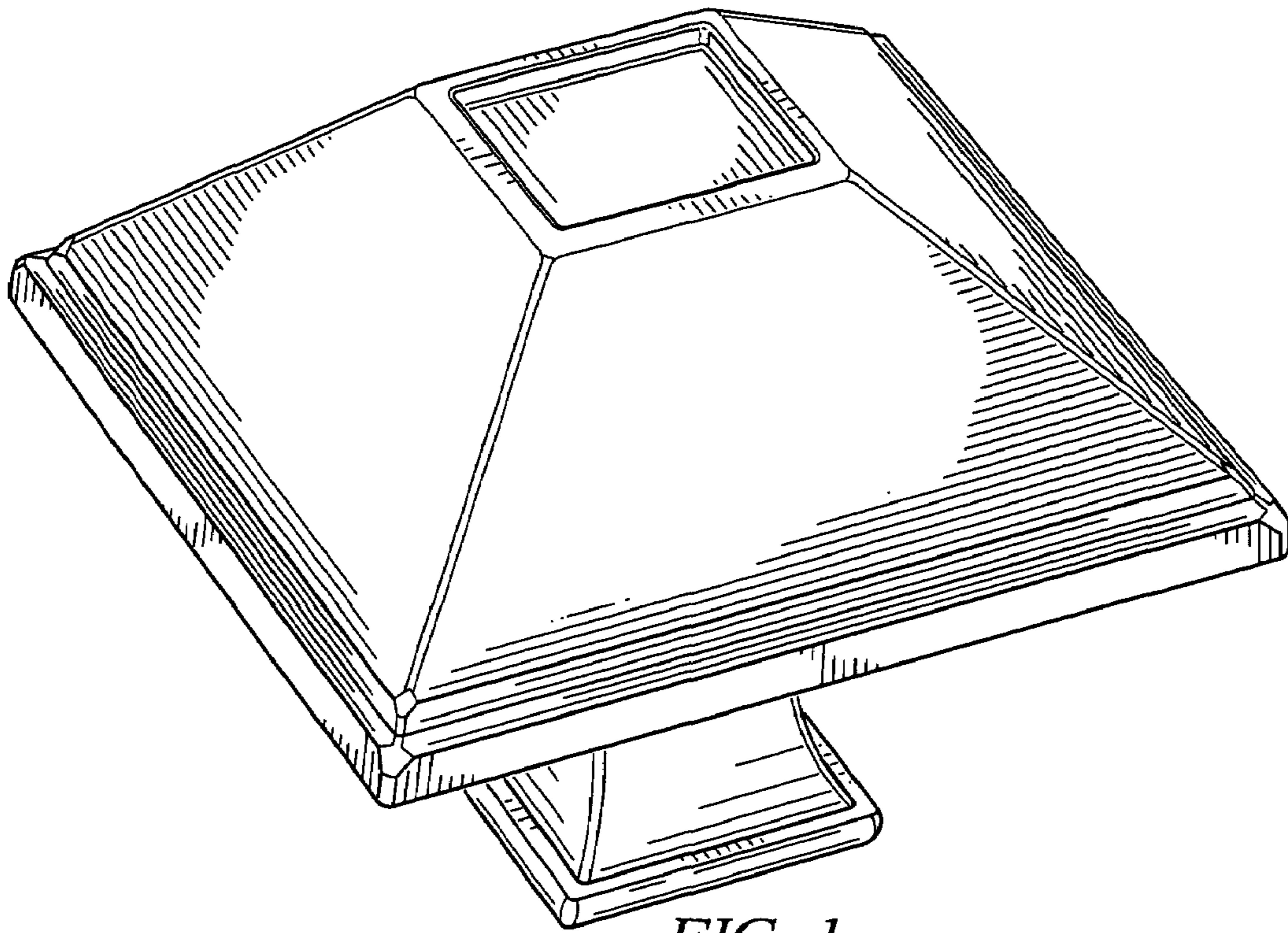


FIG. 1

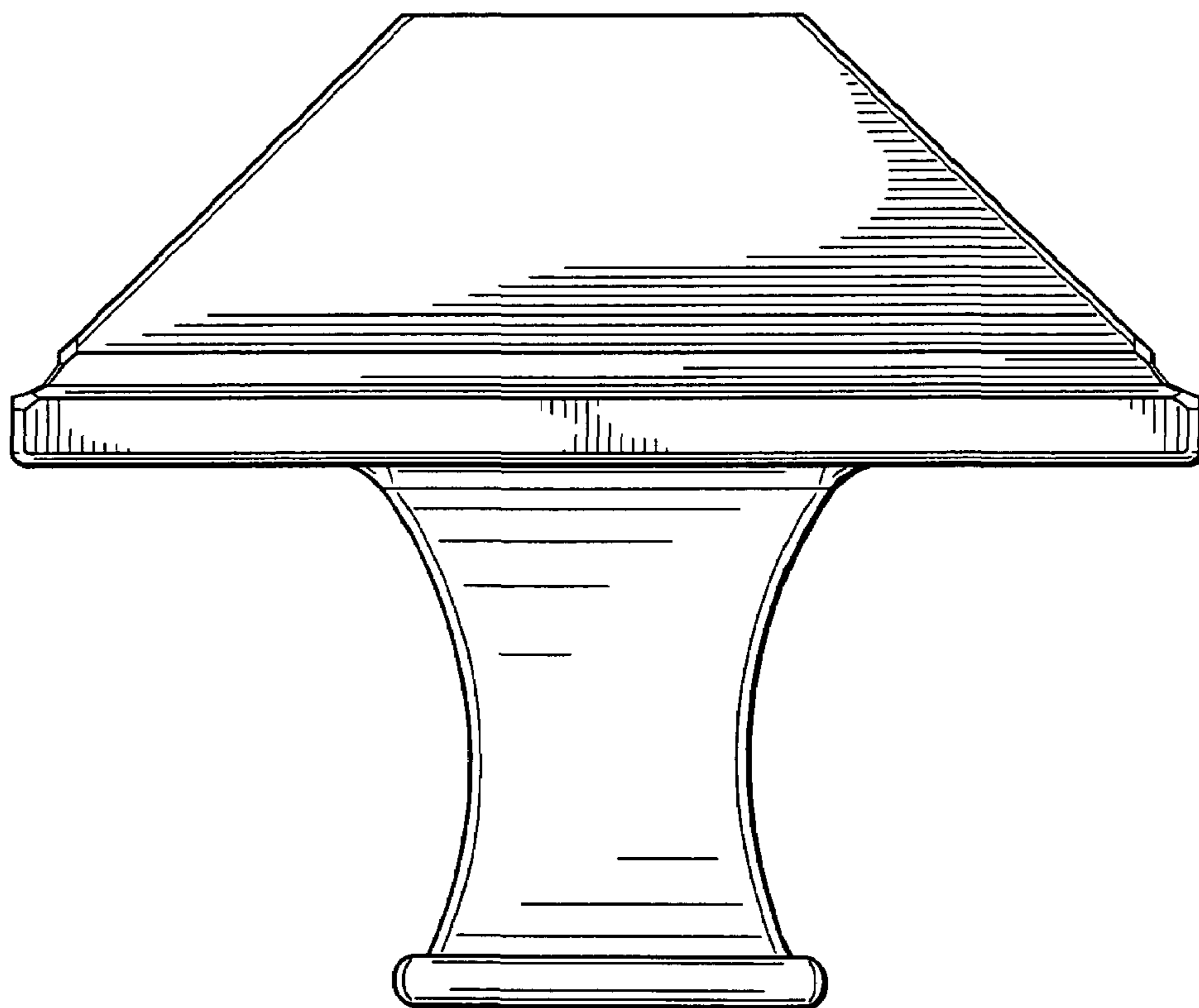


FIG. 2

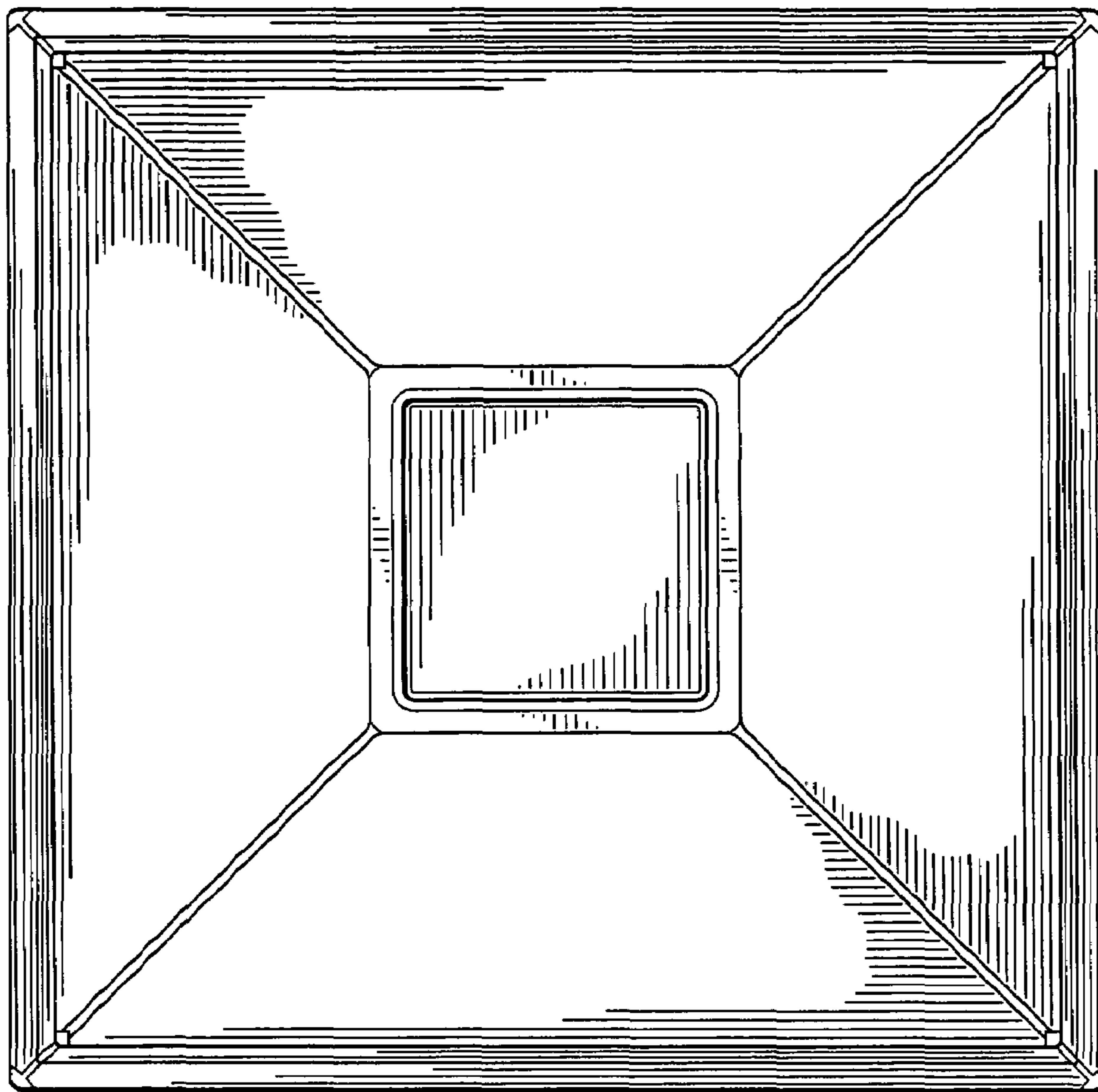


FIG. 3

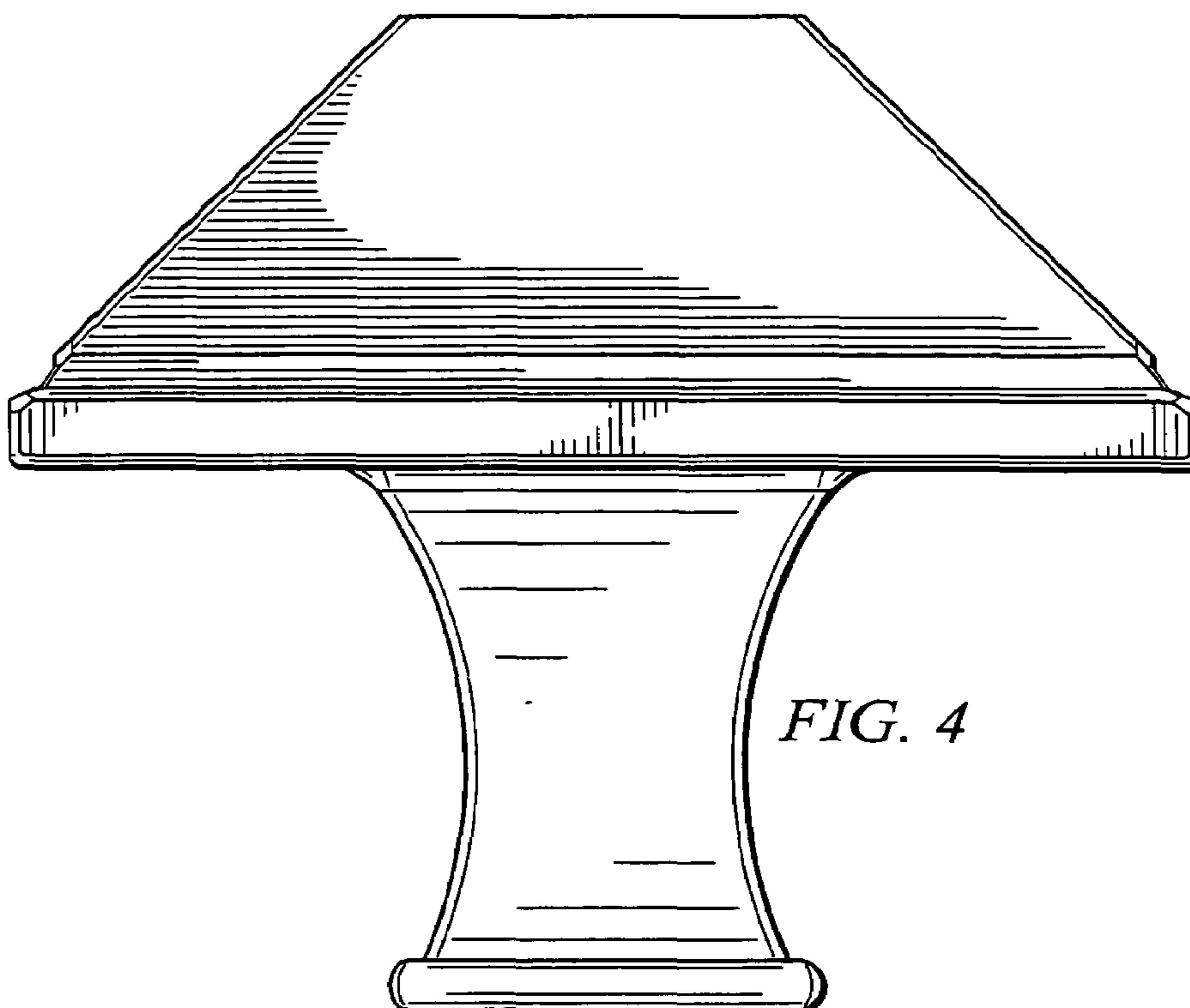


FIG. 4

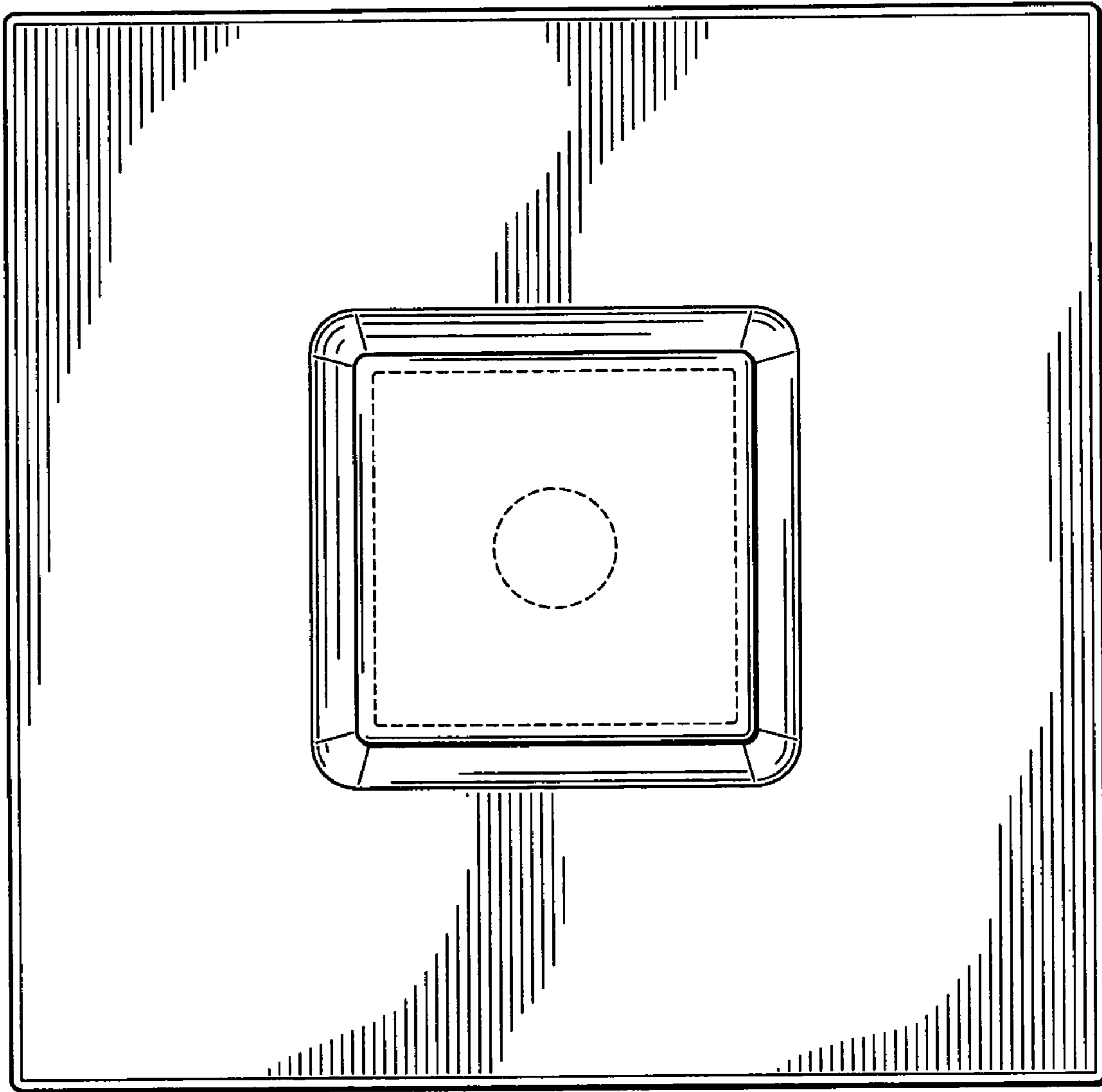


FIG. 5