



US00D602329S

(12) **United States Design Patent**
Hanes

(10) **Patent No.:** **US D602,329 S**

(45) **Date of Patent:** **** Oct. 20, 2009**

(54) **CABINET KNOB**

(76) **Inventor:** **Wendy Hanes**, 711 Palmetto Rd,
Benton, LA (US) 71006

(**) **Term:** **14 Years**

(21) **Appl. No.:** **29/313,894**

(22) **Filed:** **Feb. 18, 2009**

(51) **LOC (9) Cl.** **08-06**

(52) **U.S. Cl.** **D8/305**

(58) **Field of Classification Search** D8/305,
D8/310, 307, 300, DIG. 2; 16/110.1, 414,
16/415, 417; 292/336.3, 347; D23/250,
D23/251; D11/95, 105, 81, 115; D5/21,
D5/22; 63/18, 23; D28/91; D99/27
See application file for complete search history.

(56) **References Cited**

U.S. PATENT DOCUMENTS

D21,769 S *	8/1892	Christesen	D8/305
D45,354 S *	3/1914	Saart	D99/34
D206,373 S *	12/1966	James et al.	D8/310
D380,134 S *	6/1997	Caugh et al.	D8/305
D396,180 S *	7/1998	Burns et al.	D8/310
D397,022 S *	8/1998	Caugh et al.	D8/310
D399,723 S *	10/1998	Burns et al.	D8/310
D401,834 S *	12/1998	Burns et al.	D8/310
D410,361 S *	6/1999	Baranski et al.	D6/578
D415,405 S *	10/1999	O'Neil	D8/305
D472,448 S *	4/2003	Fields	D8/310
D474,393 S *	5/2003	Fields	D8/310

D543,087 S *	5/2007	Soriano et al.	D8/310
D550,534 S *	9/2007	Jou	D8/305
D563,195 S *	3/2008	Ricereto	D8/310
D564,332 S *	3/2008	McConnell	D8/310
D565,385 S *	4/2008	Jou	D8/307
D567,624 S *	4/2008	Ricereto	D8/307
D569,220 S *	5/2008	McConnell	D8/310
D570,183 S *	6/2008	Hanes	D8/305
D574,212 S *	8/2008	Jou	D8/305
D580,252 S *	11/2008	Hoernig	D8/310
D592,484 S *	5/2009	Ricereto	D8/310
D595,107 S *	6/2009	Owens	D8/305

* cited by examiner

Primary Examiner—Paula Greene

(74) *Attorney, Agent, or Firm*—Schultz & Associates, P.C.

(57) **CLAIM**

The ornamental design for a cabinet knob, as shown and described.

DESCRIPTION

FIG. 1 is a perspective view of a cabinet knob showing my new design;

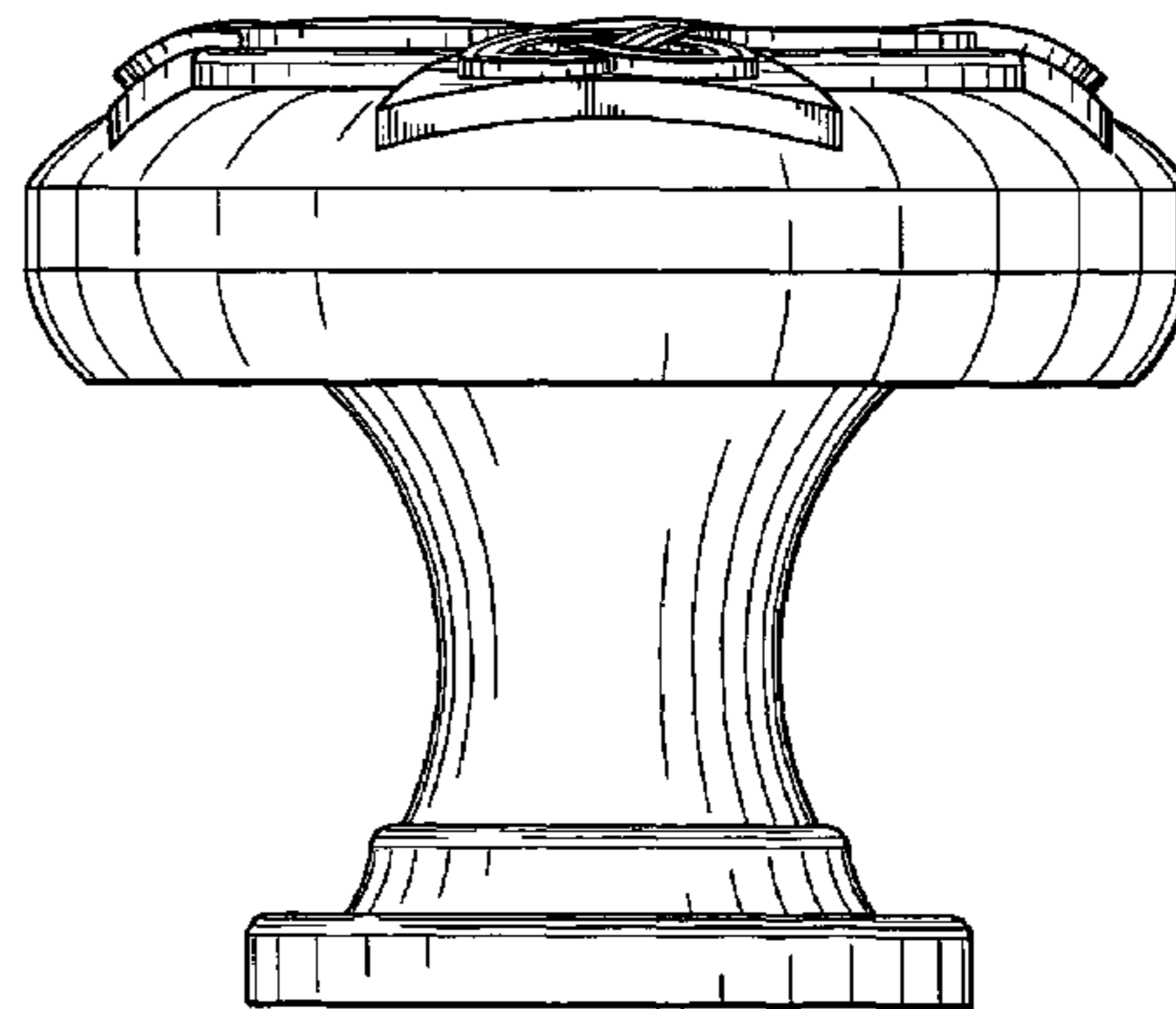
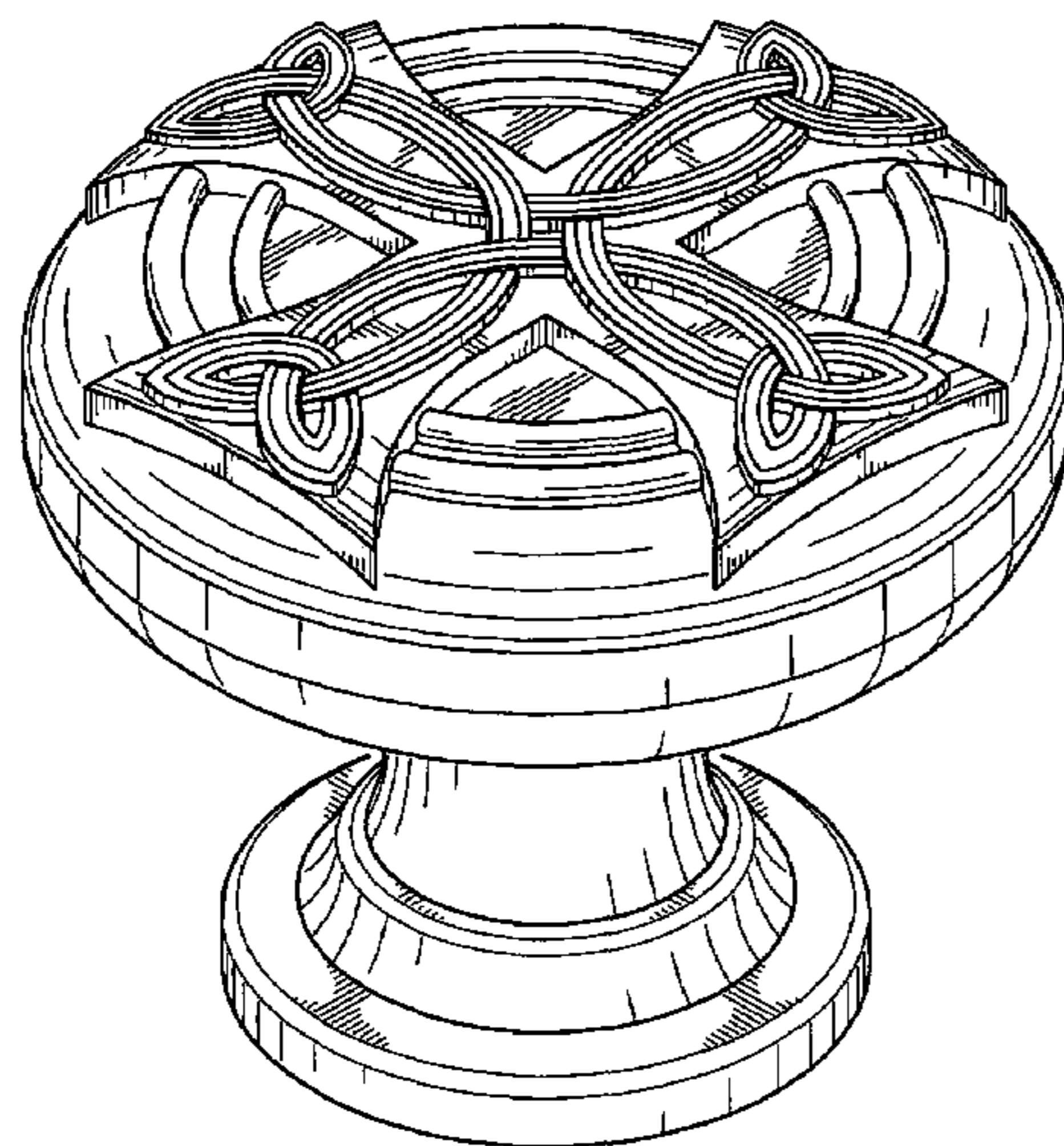
FIG. 2 is a side elevational view thereof;

FIG. 3 is a top plan view thereof; and,

FIG. 4 is a bottom plan view thereof.

Any dashed lines depict environment and are not part of the claimed design.

1 Claim, 2 Drawing Sheets



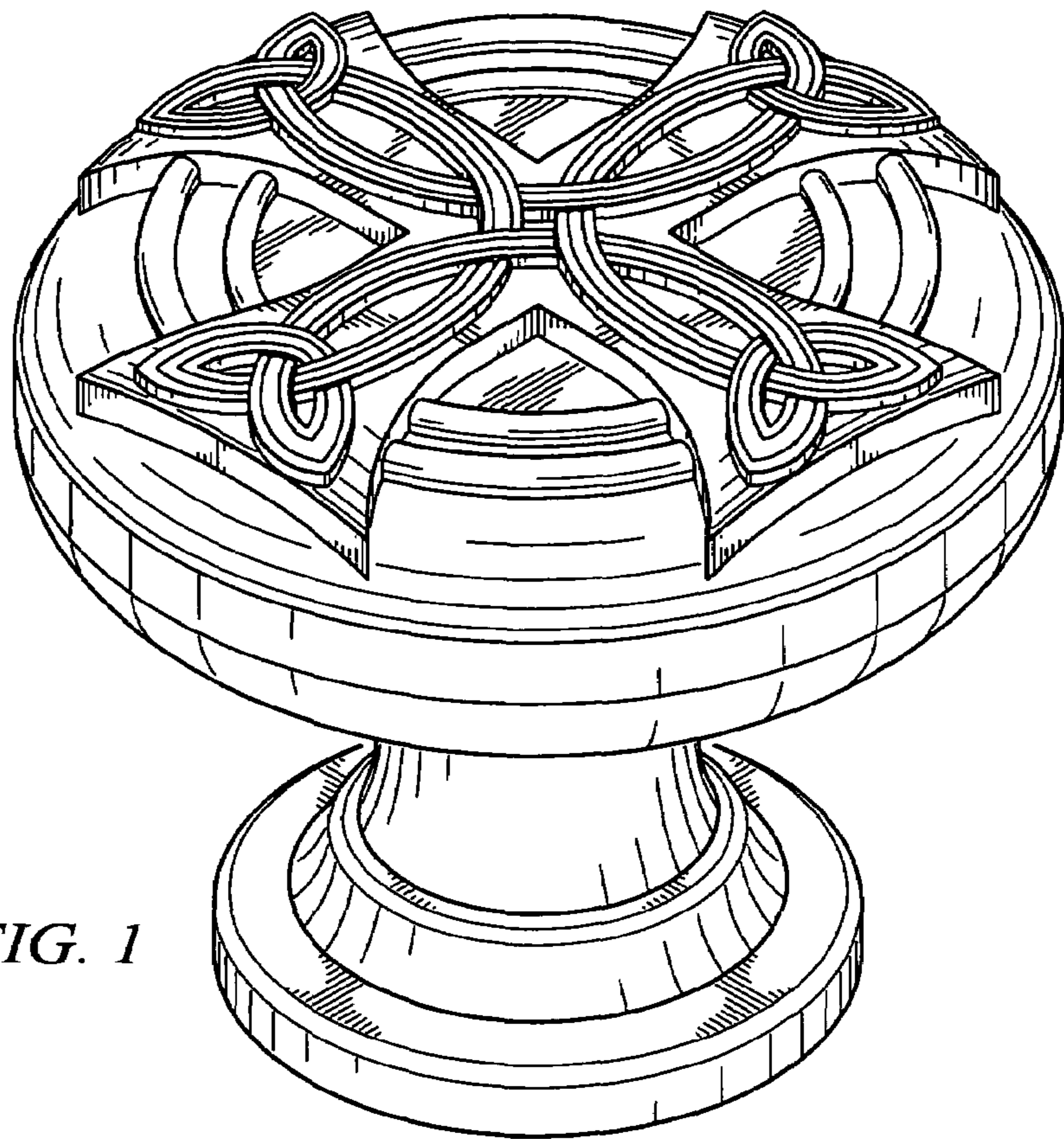


FIG. 1

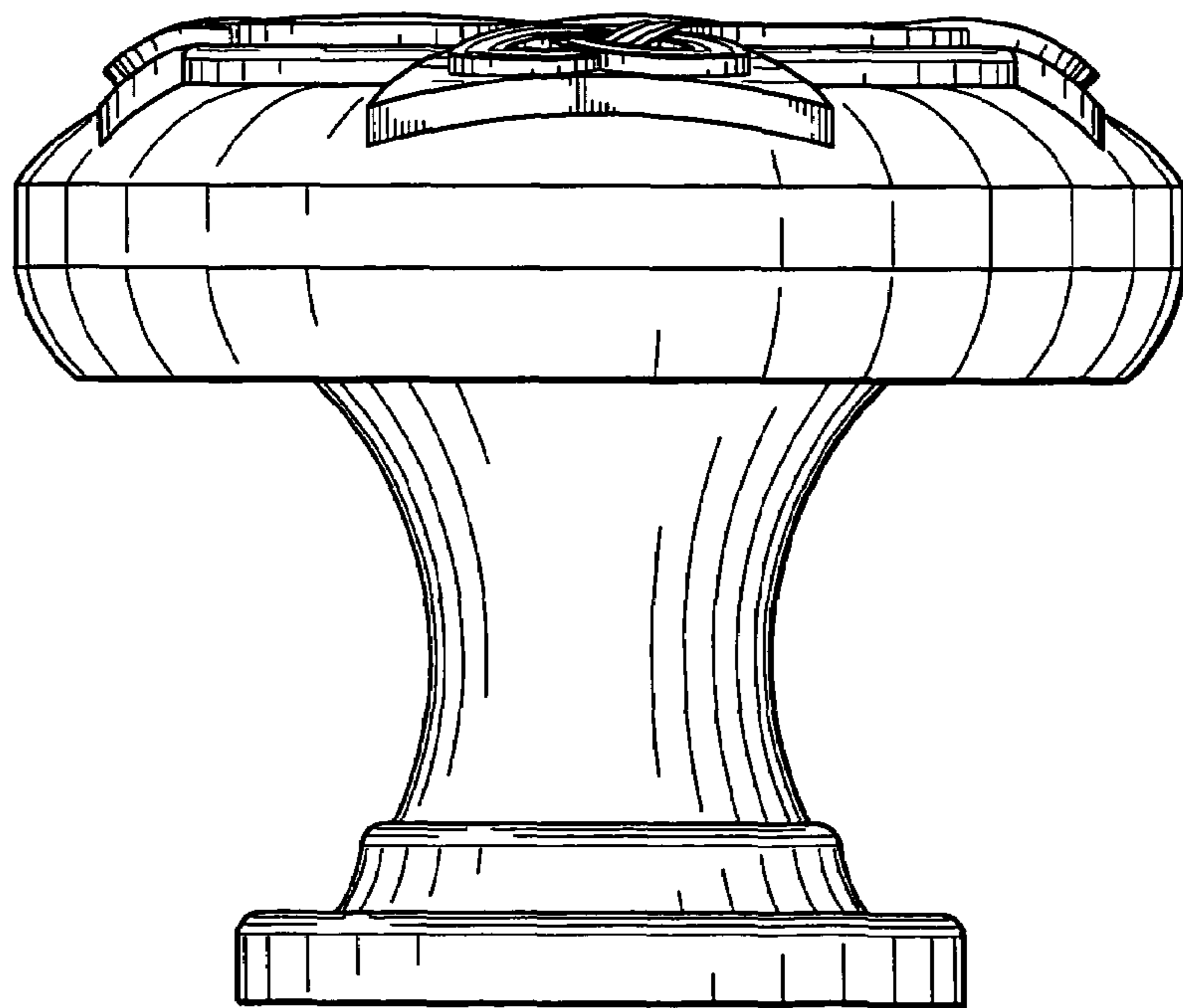


FIG. 2



FIG. 3

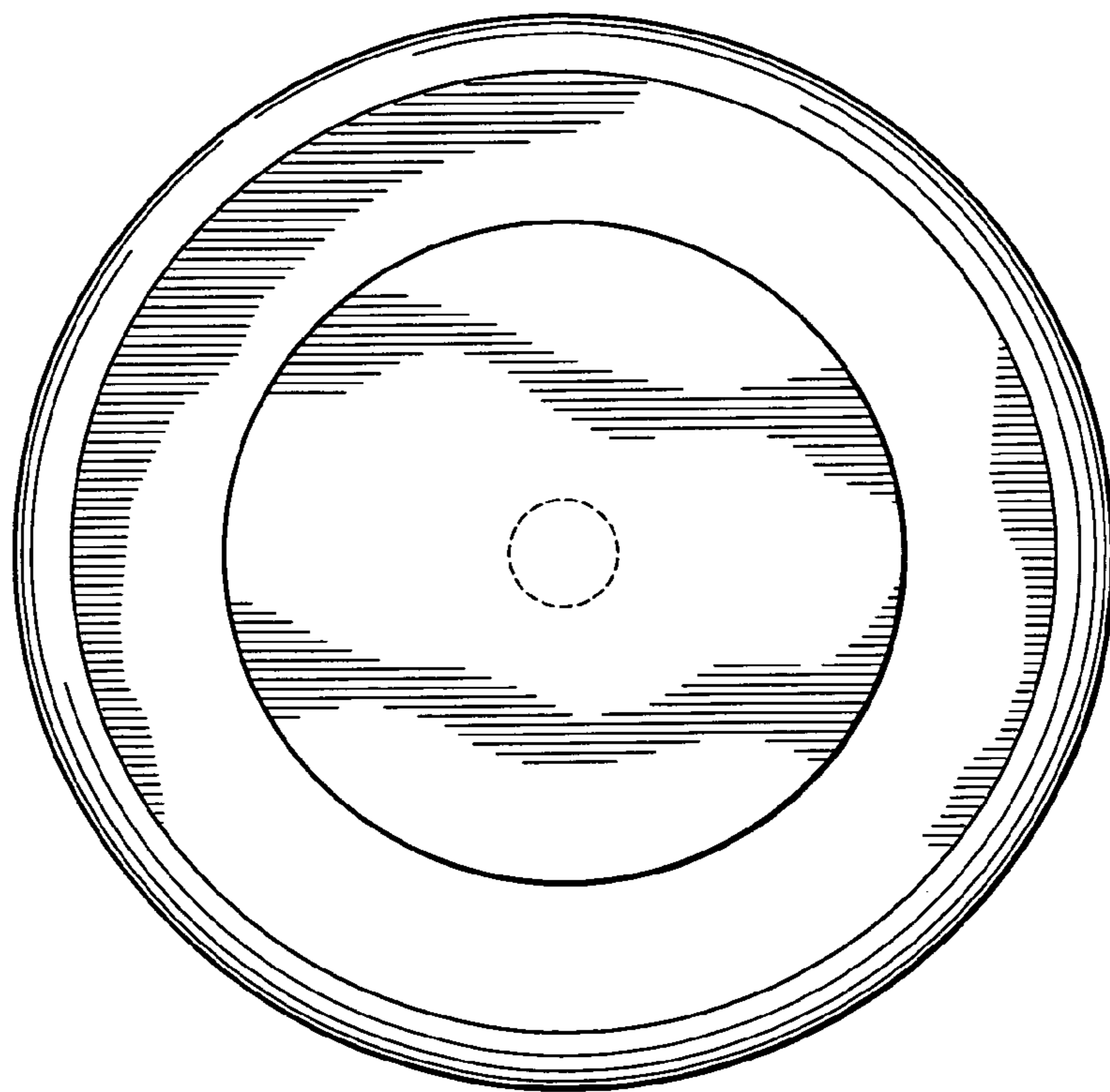


FIG. 4