

US00D602326S

(12) **United States Design Patent**
Garcia et al.

(10) **Patent No.:** **US D602,326 S**
(45) **Date of Patent:** **** Oct. 20, 2009**

(54) **UTILITY KNIFE**

D578,858 S * 10/2008 Ping D8/99

(75) Inventors: **Michael Garcia**, Oakland Park, FL
(US); **Glenn Robinson**, Coral Springs,
FL (US)

* cited by examiner

Primary Examiner—Philip S Hyder
(74) *Attorney, Agent, or Firm*—Dan DeLa Rosa

(73) Assignee: **IBT Holdings, Corp**, Deerfield Beach,
FL (US)

(57) **CLAIM**

(**) Term: **14 Years**

The ornamental design for a utility knife, as shown and described.

(21) Appl. No.: **29/310,732**

DESCRIPTION

(22) Filed: **Sep. 8, 2008**

FIG. 1 is a right side perspective view of the utility knife of the present invention showing my new design in an unfolded position;

(51) **LOC (9) Cl.** **08-03**

(52) **U.S. Cl.** **D8/99**

(58) **Field of Classification Search** D8/98,
D8/99; 30/162, 320, 335, 336, 337, 125,
30/155, 156, 157, 158

FIG. 2 is a left side perspective view thereof;

FIG. 3 is a top plan view thereof;

FIG. 4 is bottom plan view thereof;

FIG. 5 is a front elevational view thereof;

FIG. 6 is a rear elevational view thereof;

FIG. 7 is a right side elevational view thereof;

FIG. 8 is a left side elevational view thereof;

FIG. 9 is a right side perspective view thereof, wherein the blade holder is in a half folded position; and,

FIG. 10 is a right side perspective view thereof, wherein the blade holder is in a fully folded position.

See application file for complete search history.

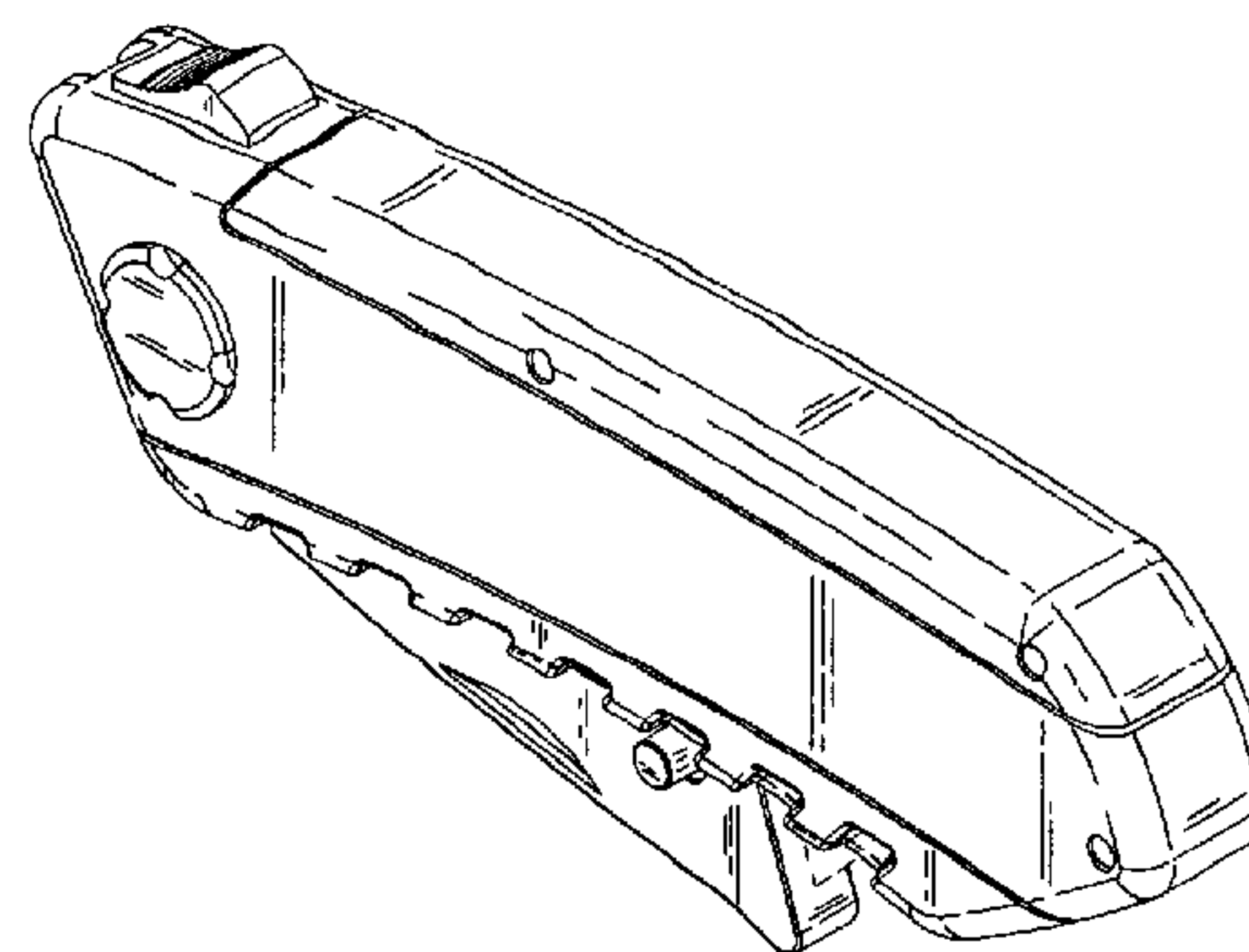
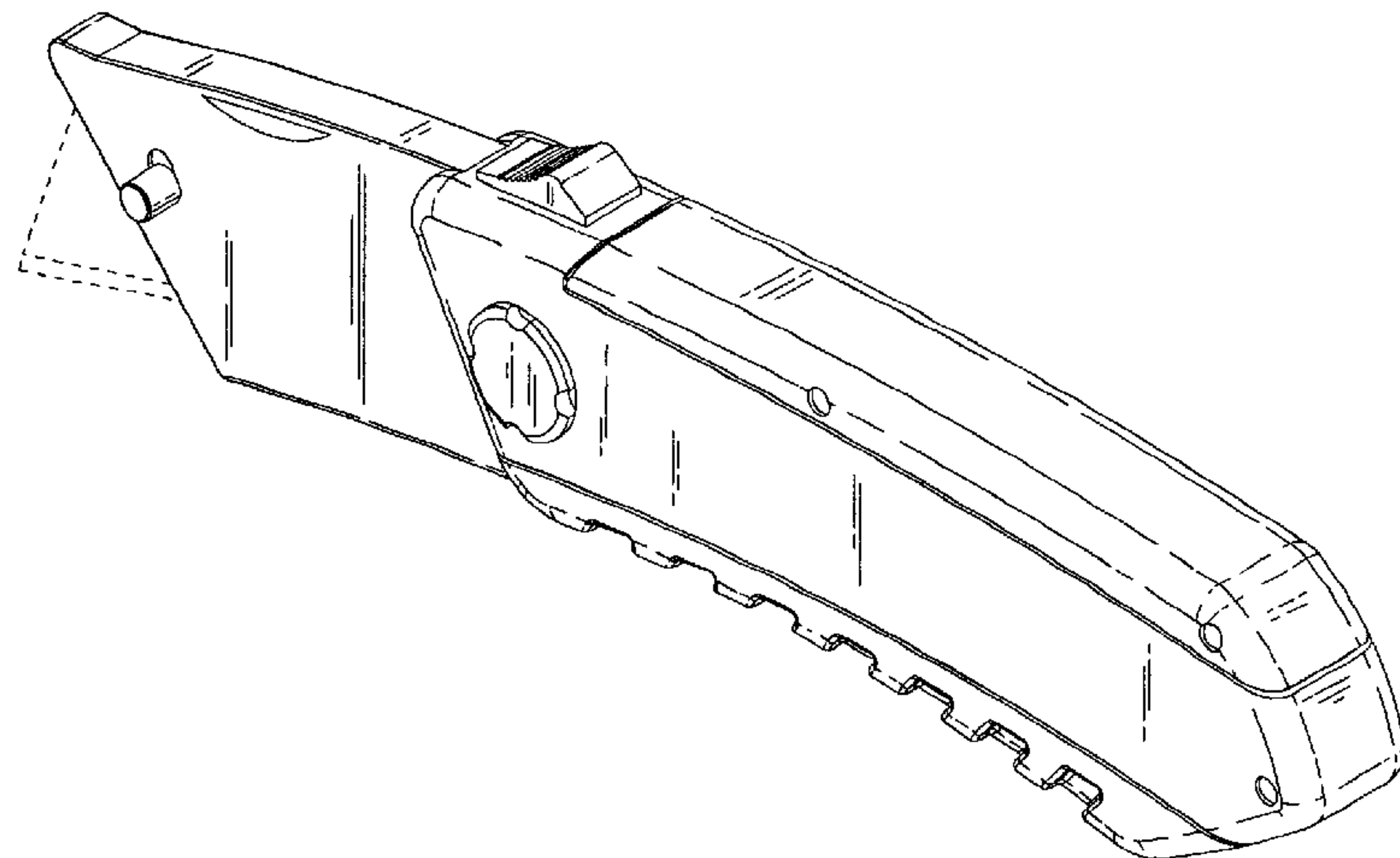
The broken line showing of the removable blade is included for the purpose of illustrating environmental structure and forms no part of the claimed design.

(56) **References Cited**

U.S. PATENT DOCUMENTS

6,354,007	B1 *	3/2002	Scarla	30/156
D494,437	S *	8/2004	Scarla	D8/99
D495,939	S *	9/2004	Ping	D8/99
D501,782	S *	2/2005	Ping	D8/99
6,951,055	B1 *	10/2005	Collins	30/162
D516,403	S *	3/2006	Ping	D8/99
D519,817	S *	5/2006	Wong	D8/99
D522,835	S *	6/2006	Ping	D8/99
D526,878	S *	8/2006	Ping	D8/99
D568,137	S *	5/2008	Hernandez, Jr.	D8/99
D574,691	S *	8/2008	Ping	D8/99

1 Claim, 7 Drawing Sheets



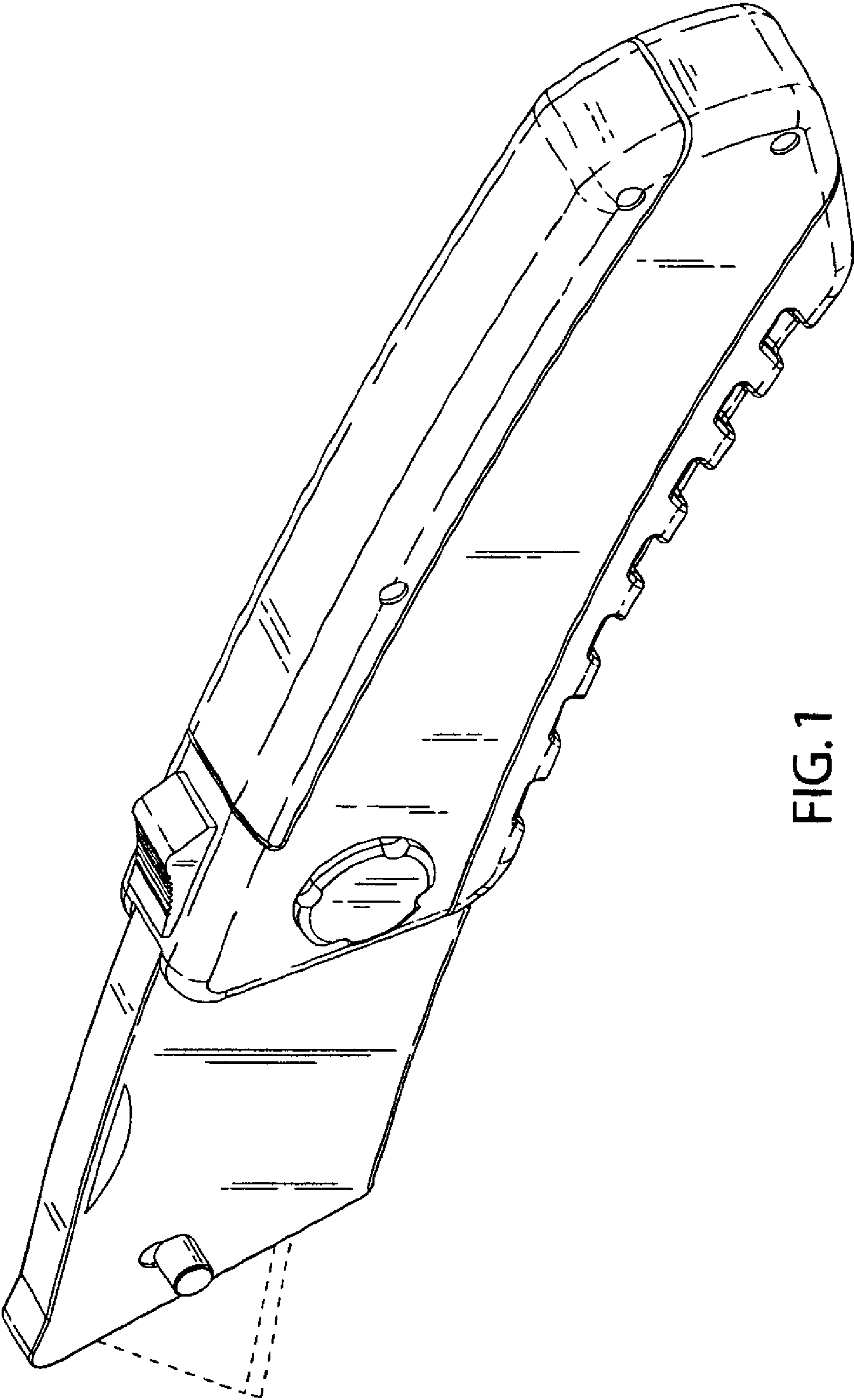


FIG. 1

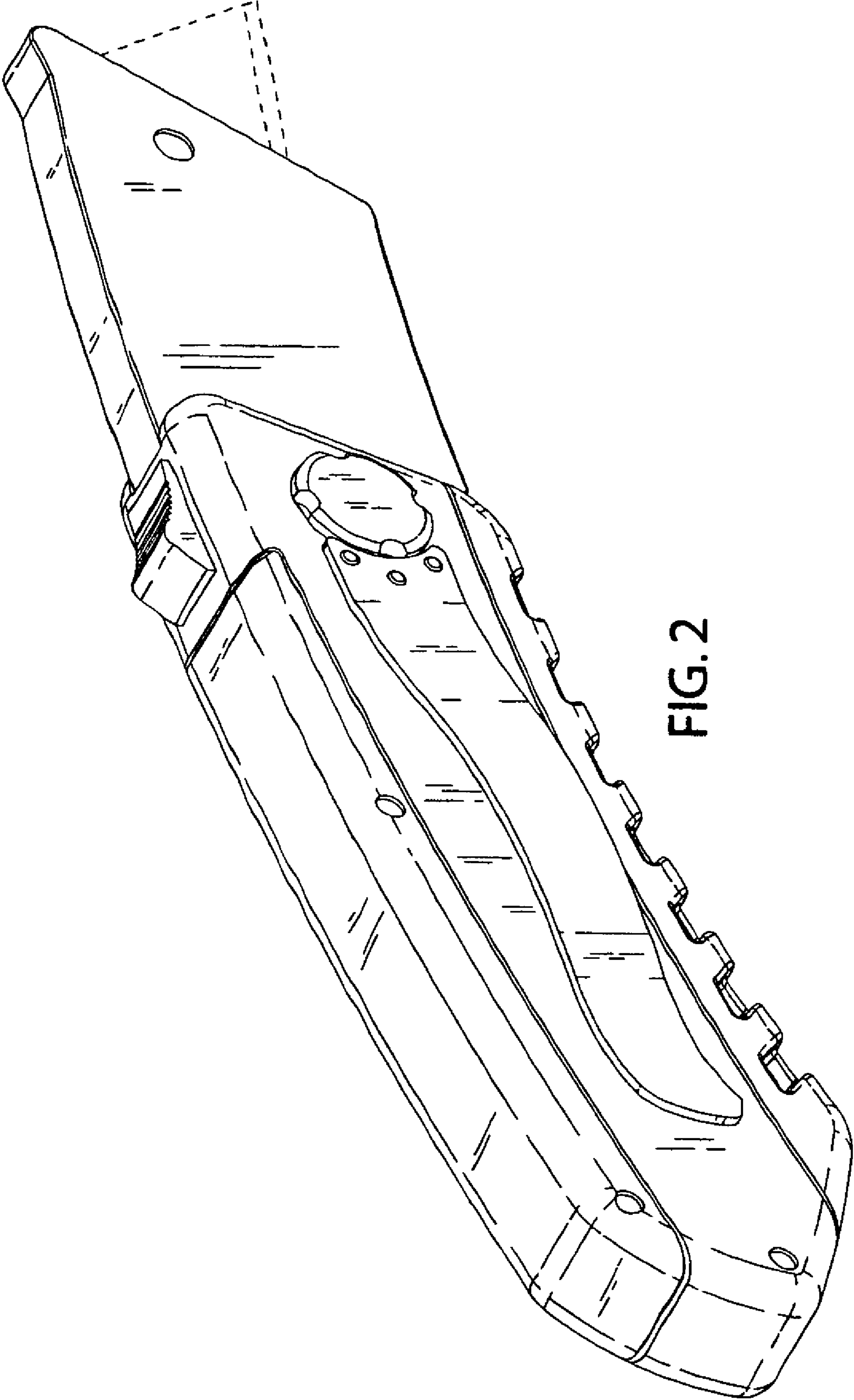


FIG. 2

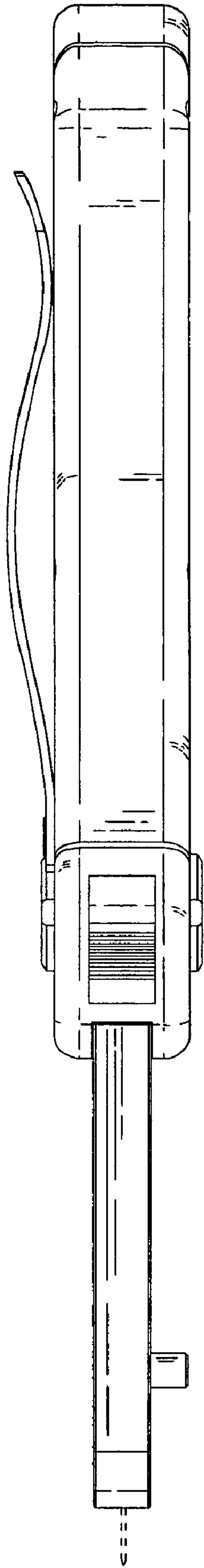


FIG. 3

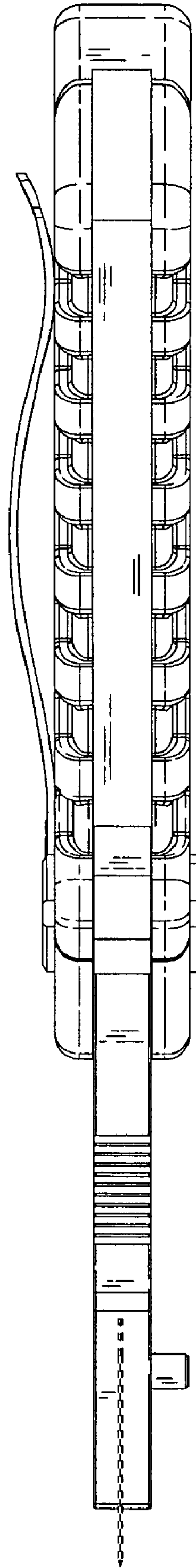


FIG. 4

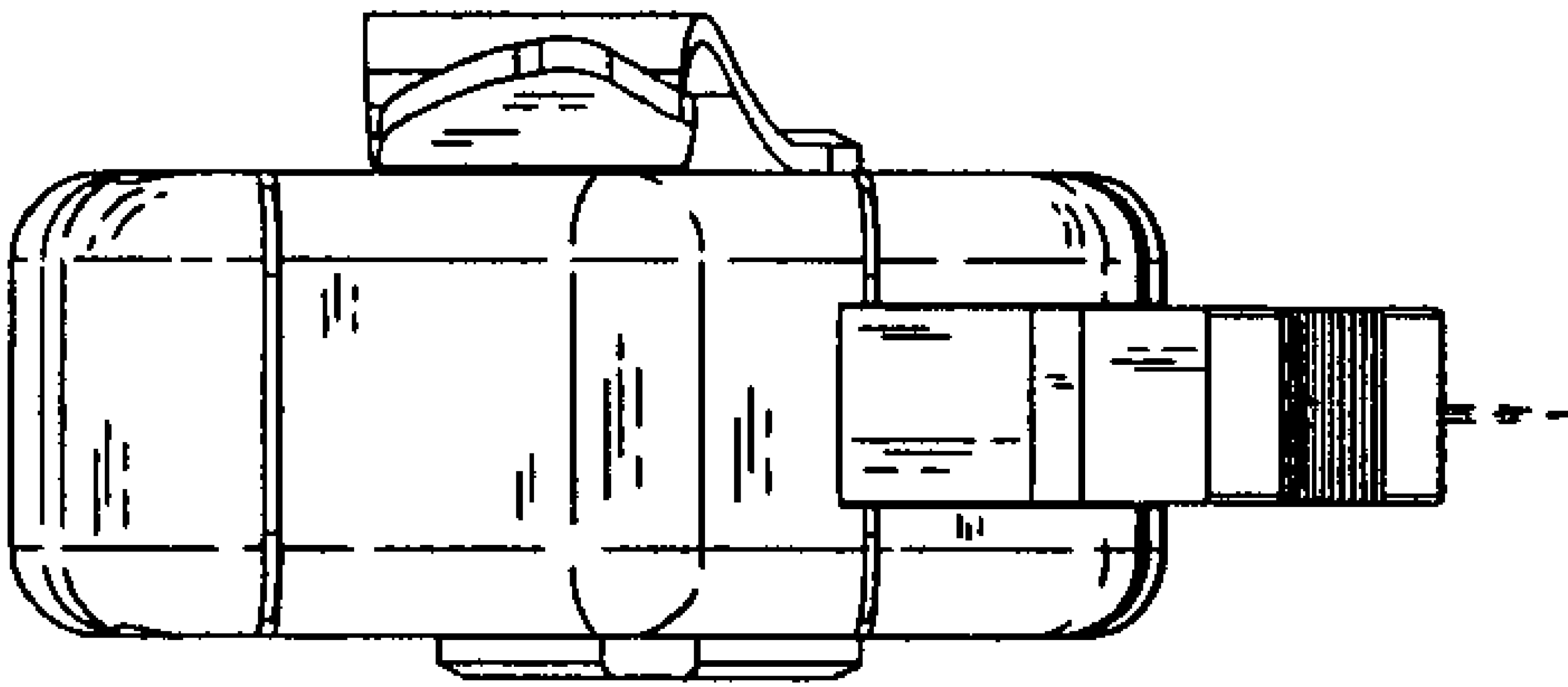


FIG. 5

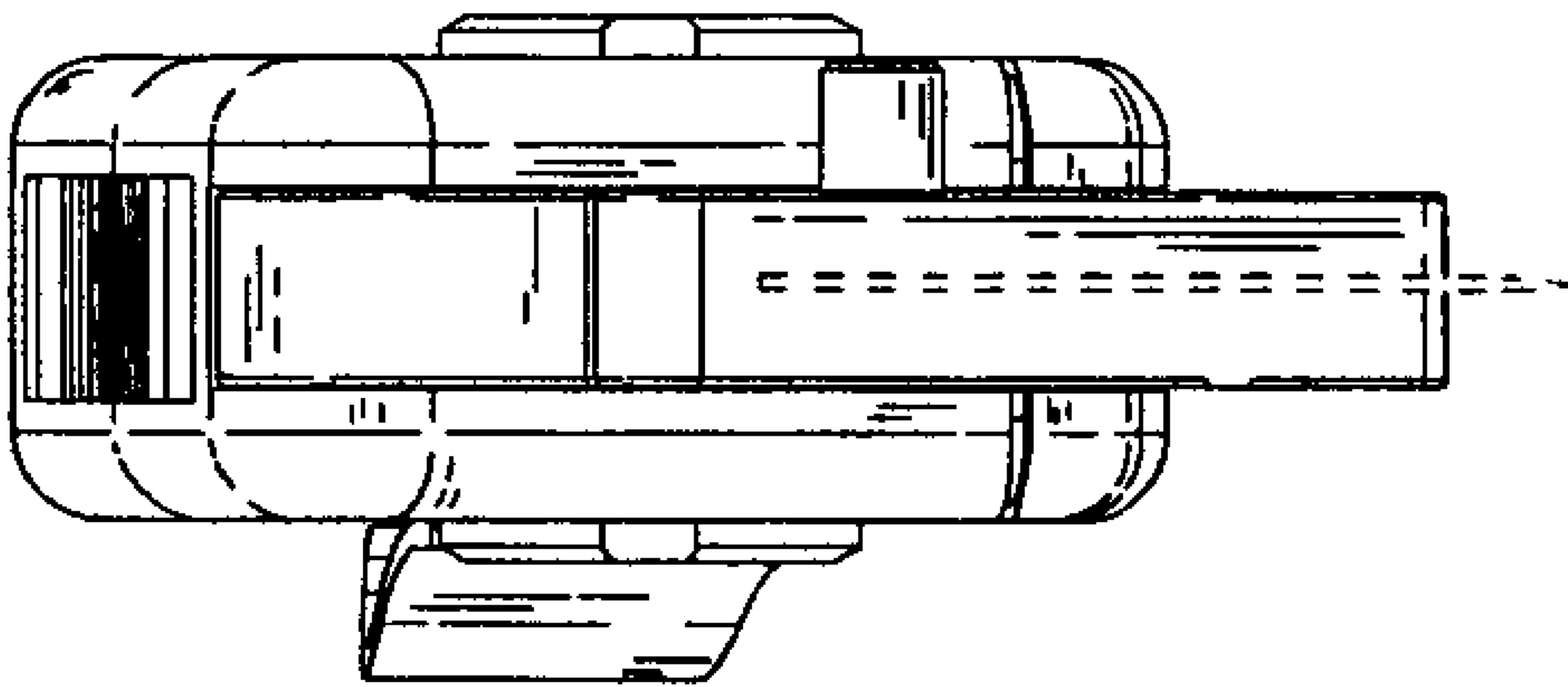
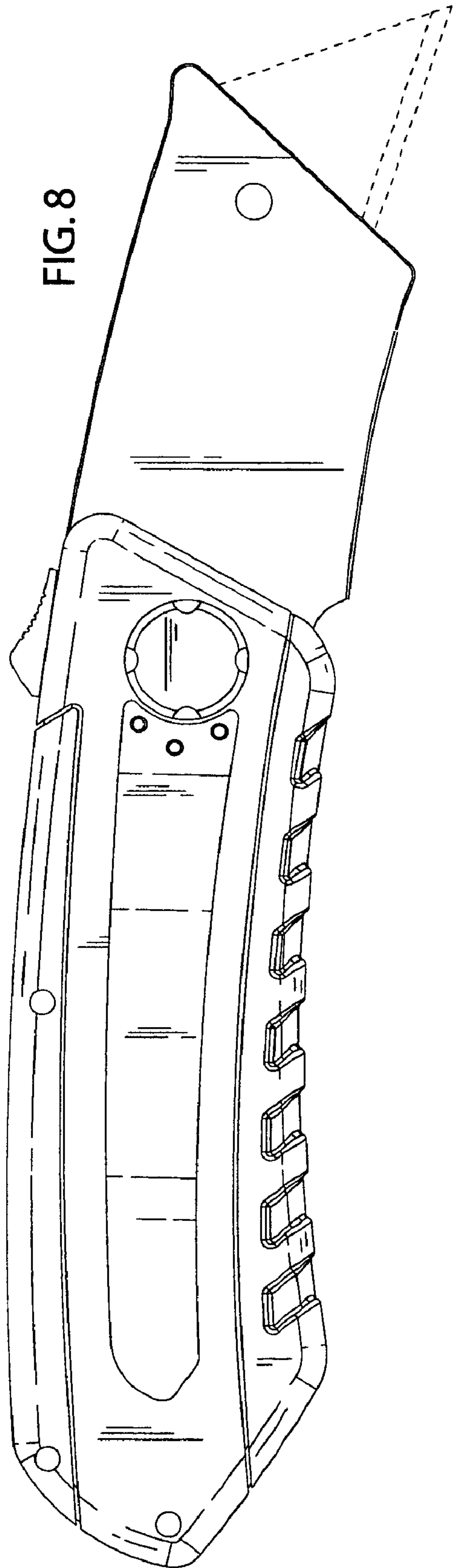
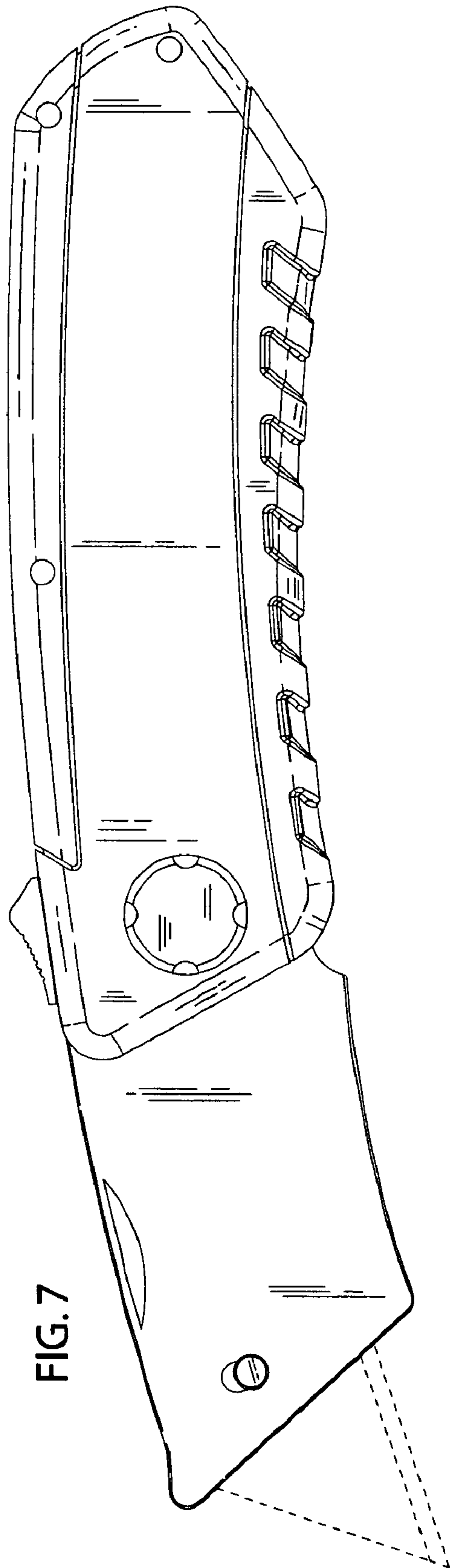


FIG. 6



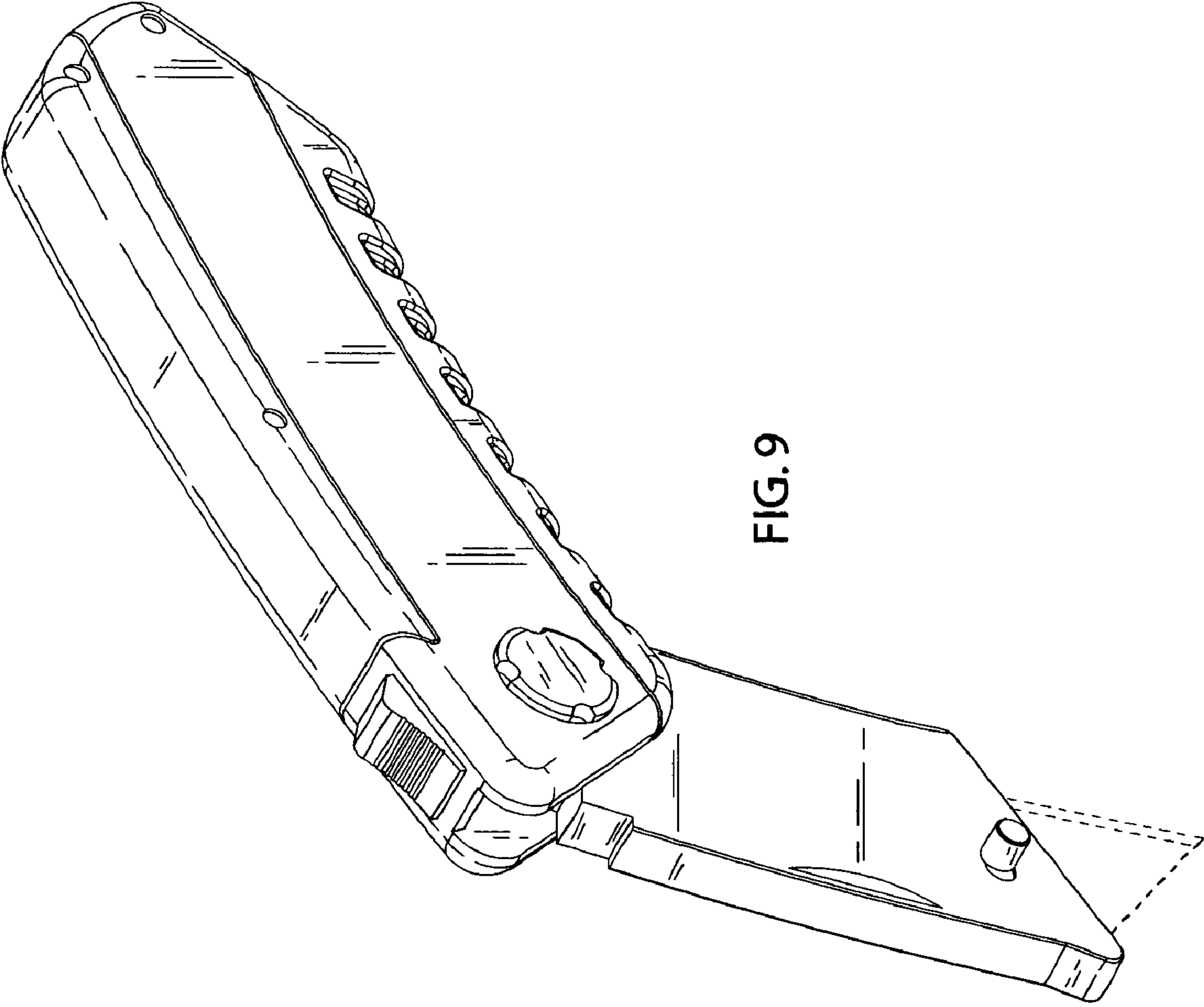


FIG. 9

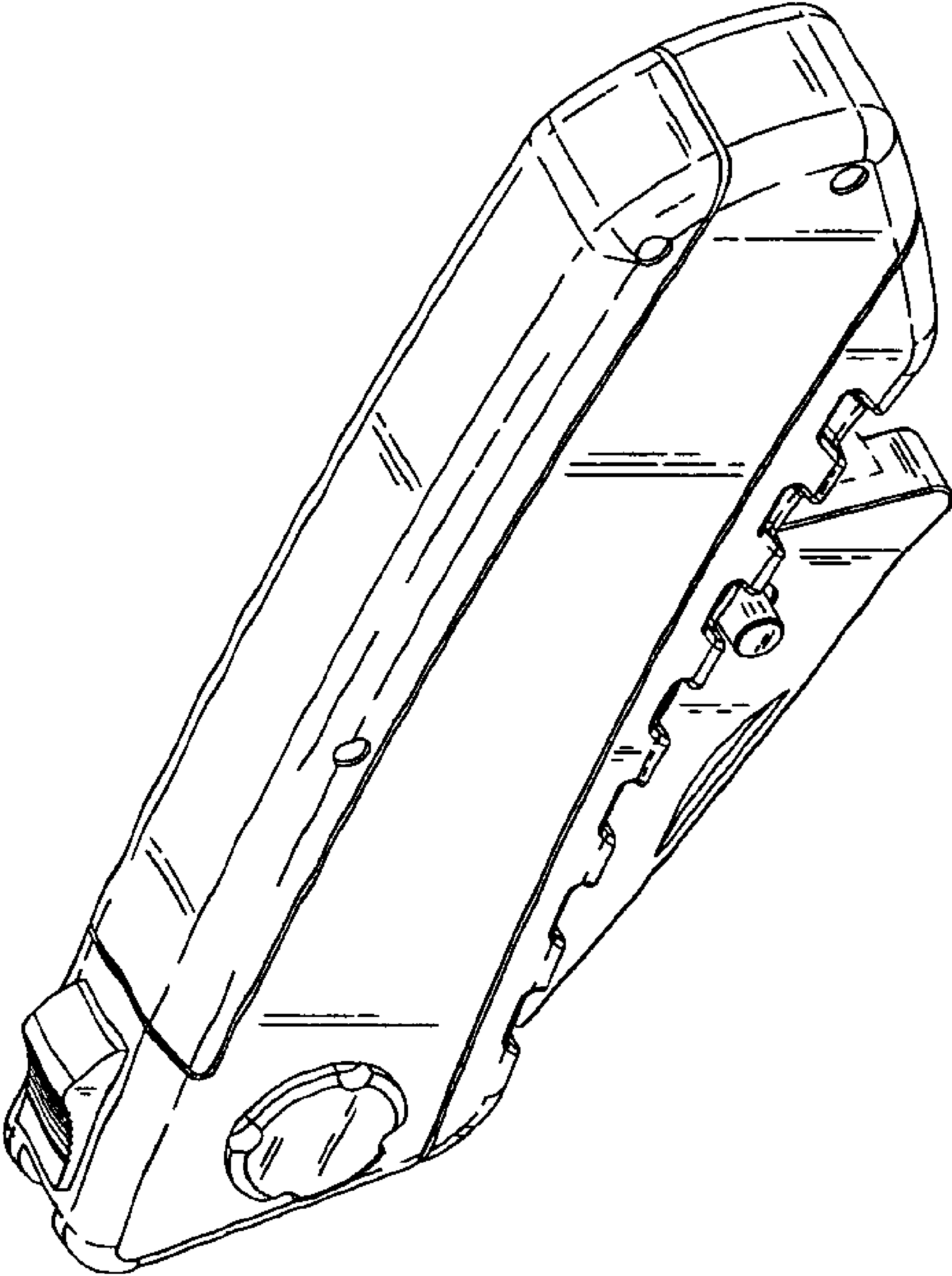


FIG. 10