



US00D602325S

(12) **United States Design Patent**
van Deursen

(10) **Patent No.:** **US D602,325 S**

(45) **Date of Patent:** **** Oct. 20, 2009**

(54) **SNAP-OFF KNIFE**

(75) Inventor: **Gary E. van Deursen**, Essex, CT (US)

(73) Assignee: **American Safety Razor**, Verona, VA (US)

(**) Term: **14 Years**

(21) Appl. No.: **29/290,933**

(22) Filed: **Jan. 31, 2008**

(51) **LOC (9) Cl.** **08-03**

(52) **U.S. Cl.** **D8/99**

(58) **Field of Classification Search** D8/98,
D8/99; 30/162, 320, 335, 336, 337, 125
See application file for complete search history.

(56) **References Cited**

U.S. PATENT DOCUMENTS

D264,801 S * 6/1982 Osada D8/99

(Continued)

FOREIGN PATENT DOCUMENTS

CA	1060194	8/1979
EP	0 395 338 A1	10/1990
FR	2552007	3/1985
FR	2696671	4/1994
FR	2697194	4/1994
GB	2 003 781 A	3/1979
JP	D1163284	* 1/2003
TW	202267	* 3/1993
TW	480102	* 3/2002
WO	WO 00/64646	11/2000

Primary Examiner—Philip S Hyder

(74) Attorney, Agent, or Firm—McDermott Will & Emery LLP

(57) **CLAIM**

The ornamental design for a snap-off knife, as shown and described.

DESCRIPTION

FIG. 1 is a front perspective view of the snap-off knife with its cap on the knife's rear end, showing the new design;

FIG. 2 is a front view of the snap-off knife with the cap on the rear end;

FIG. 3 is a rear view of the snap-off knife with the cap on the rear end;

FIG. 4 is a side view of the snap-off knife with the cap on the rear end;

FIG. 5 is another side view of the snap-off knife with the cap on the rear end;

FIG. 6 is a top view of the snap-off knife with the cap on the rear end;

FIG. 7 is a bottom view of the snap-off knife with the cap on the rear end;

FIG. 8 is a front perspective view of the snap-off knife with the cap on the knife's front end, showing the new design;

FIG. 9 is a front view of the snap-off knife with the cap on the front end;

FIG. 10 is a rear view of the snap-off knife with the cap on the front end;

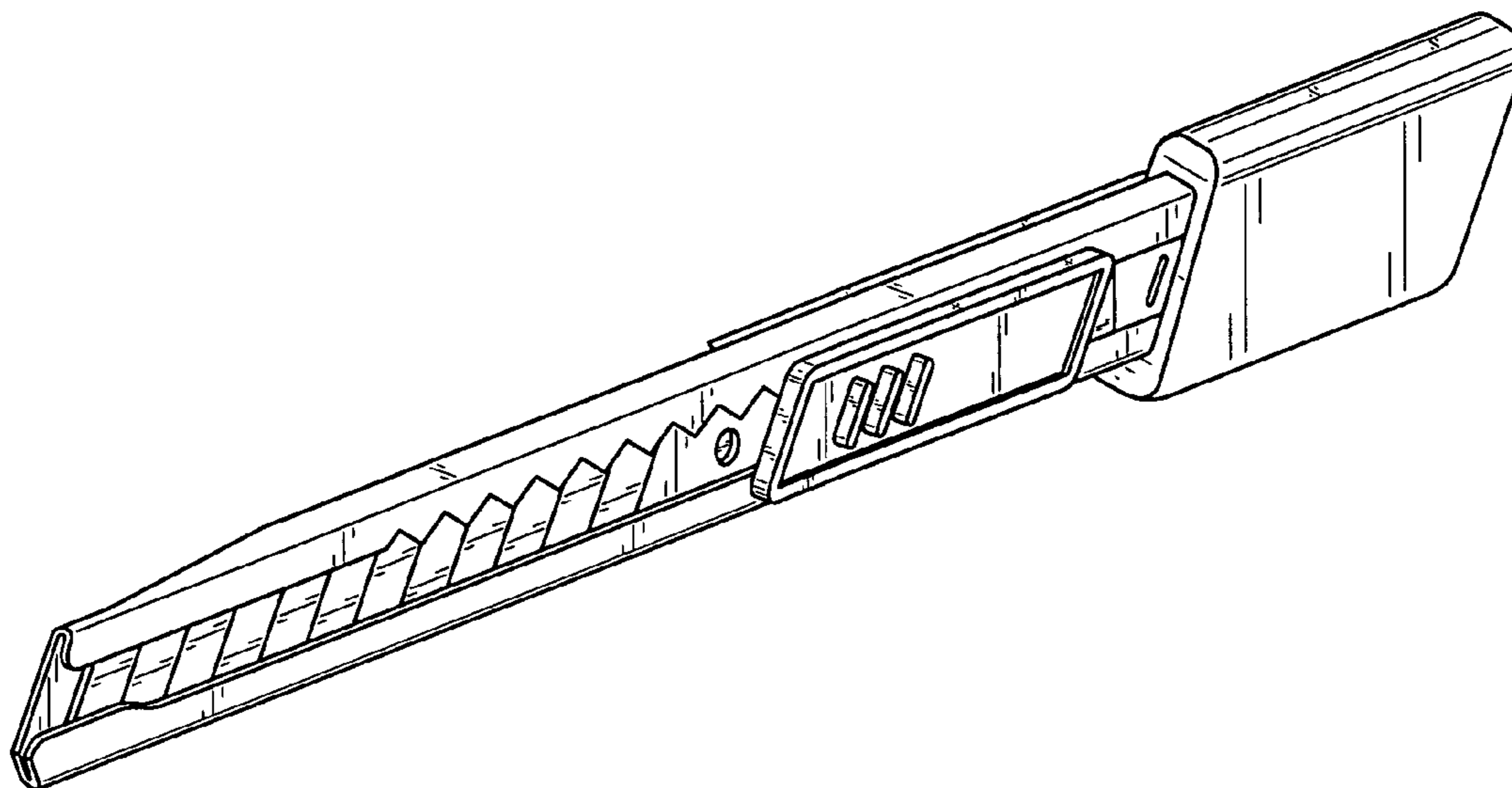
FIG. 11 is a side view of the snap-off knife with the cap on the front end;

FIG. 12 is another side view of the snap-off knife with the cap on the front end;

FIG. 13 is a top view of the snap-off knife with the cap on the front end; and,

FIG. 14 is a bottom view of the snap-off knife with the cap on the front end.

1 Claim, 8 Drawing Sheets



US D602,325 S

Page 2

U.S. PATENT DOCUMENTS

4,794,692	A	1/1989	Wang	D480,289	S	10/2003	Jacquet
5,014,429	A	5/1991	McNamara	6,708,410	B2	3/2004	Okada
5,093,993	A	3/1992	Nishiyama	6,718,640	B1	4/2004	John
5,269,063	A	12/1993	Okada	6,745,474	B1	6/2004	Huang
D347,563	S	6/1994	Okada	D497,301	S	10/2004	Kondo et al.
D354,900	S	1/1995	Hirai	D499,948	S	12/2004	Kondo et al.
5,502,896	A	4/1996	Chen	D511,448	S	11/2005	Chen
D386,959	S	12/1997	Okada	D517,894	S	3/2006	Kondo et al.
D398,829	S	9/1998	Okada	D519,818	S	5/2006	Knopow et al.
D412,822	S	8/1999	Gilbert et al.	D523,316	S	6/2006	Kondo et al.
6,006,433	A	12/1999	Baltazar	7,107,687	B2	9/2006	Okada
D428,790	S	8/2000	Jacquet	D549,068	S	8/2007	Groten
D436,825	S	1/2001	Chen	D553,936	S	10/2007	Takamasa
D442,054	S	5/2001	Okada et al.	D559,651	S	1/2008	Takamasa
6,226,873	B1	5/2001	Okumura	D560,462	S	1/2008	Takamasa
D443,494	S	6/2001	Okada	D562,666	S	2/2008	Tou
D443,807	S	6/2001	Okada	D565,919	S	4/2008	Kondo et al.
D453,896	S	2/2002	Hirai	D567,622	S	4/2008	Takamasa
D459,189	S	6/2002	Chong	2005/0050734	A1	3/2005	Kesinger
D464,552	S	10/2002	Jacquet	2006/0059695	A1	3/2006	Levine et al.
6,510,612	B1	1/2003	Cybulski	2006/0185172	A1	8/2006	Marshall et al.

* cited by examiner

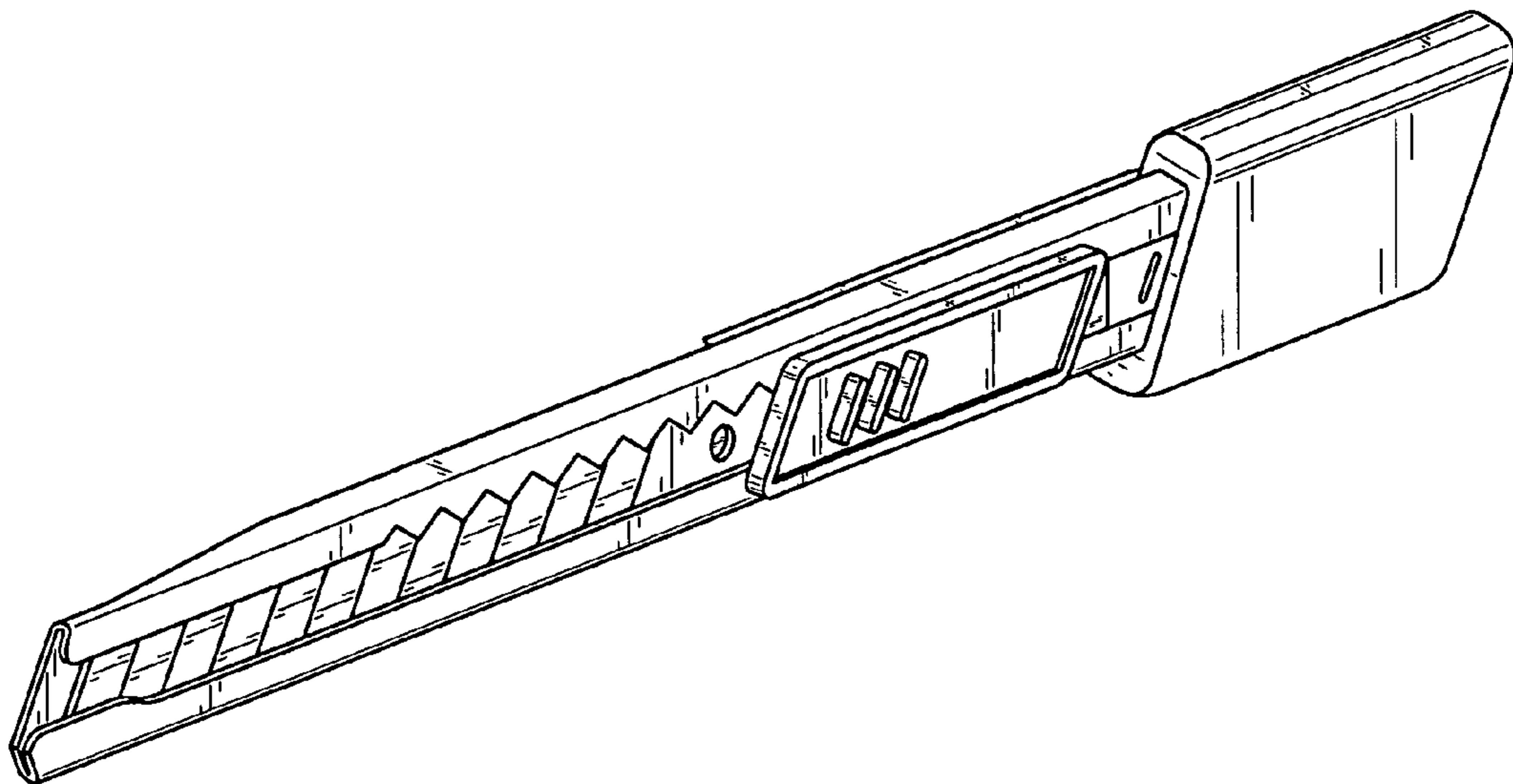


FIG. 1

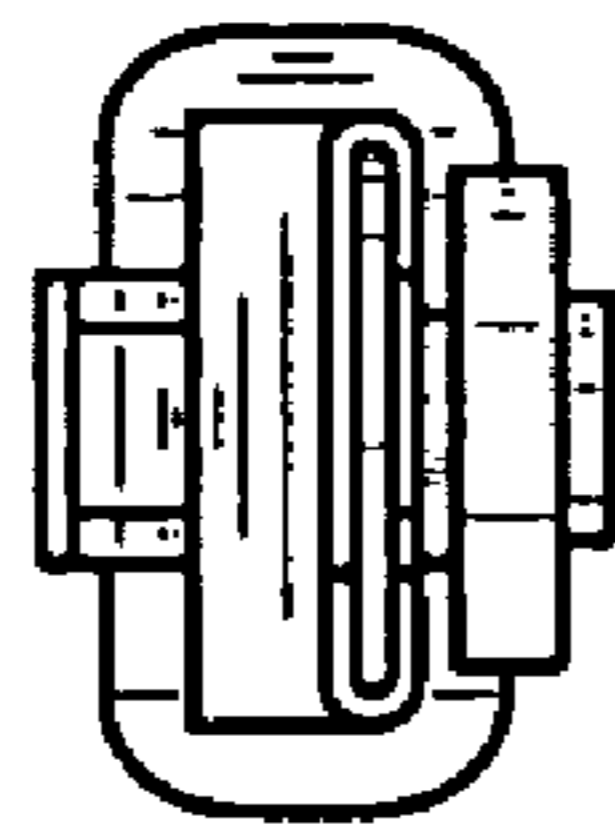


FIG. 2

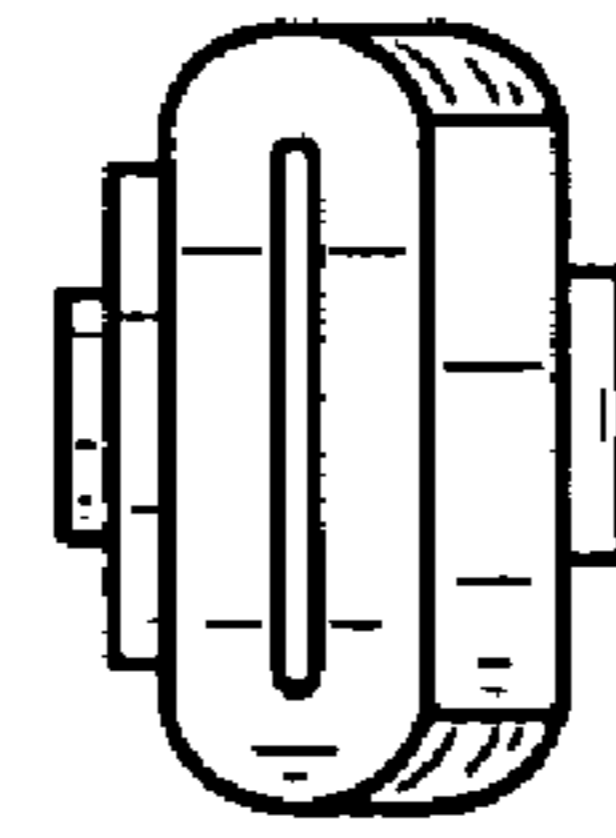


FIG. 3

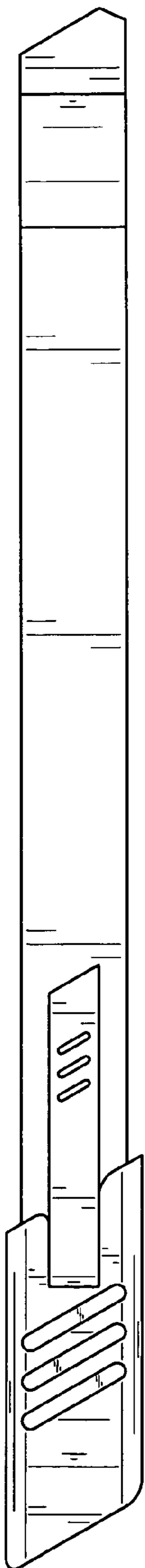


FIG. 4

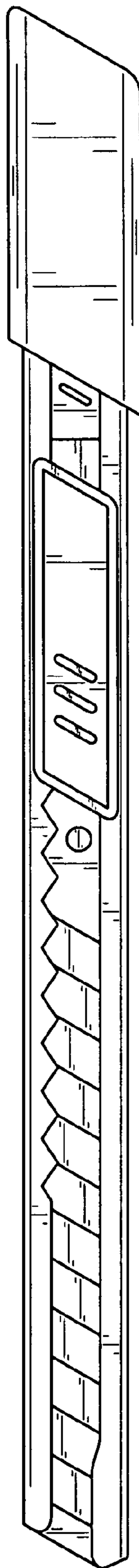


FIG. 5

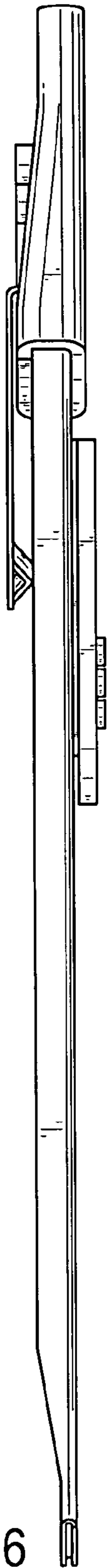


FIG. 6

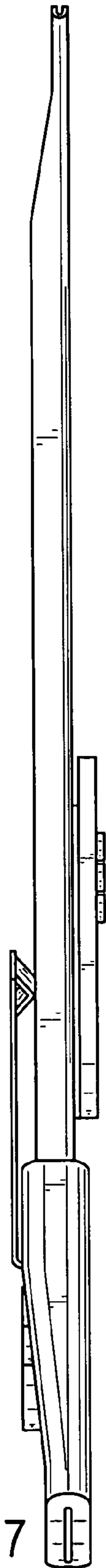


FIG. 7

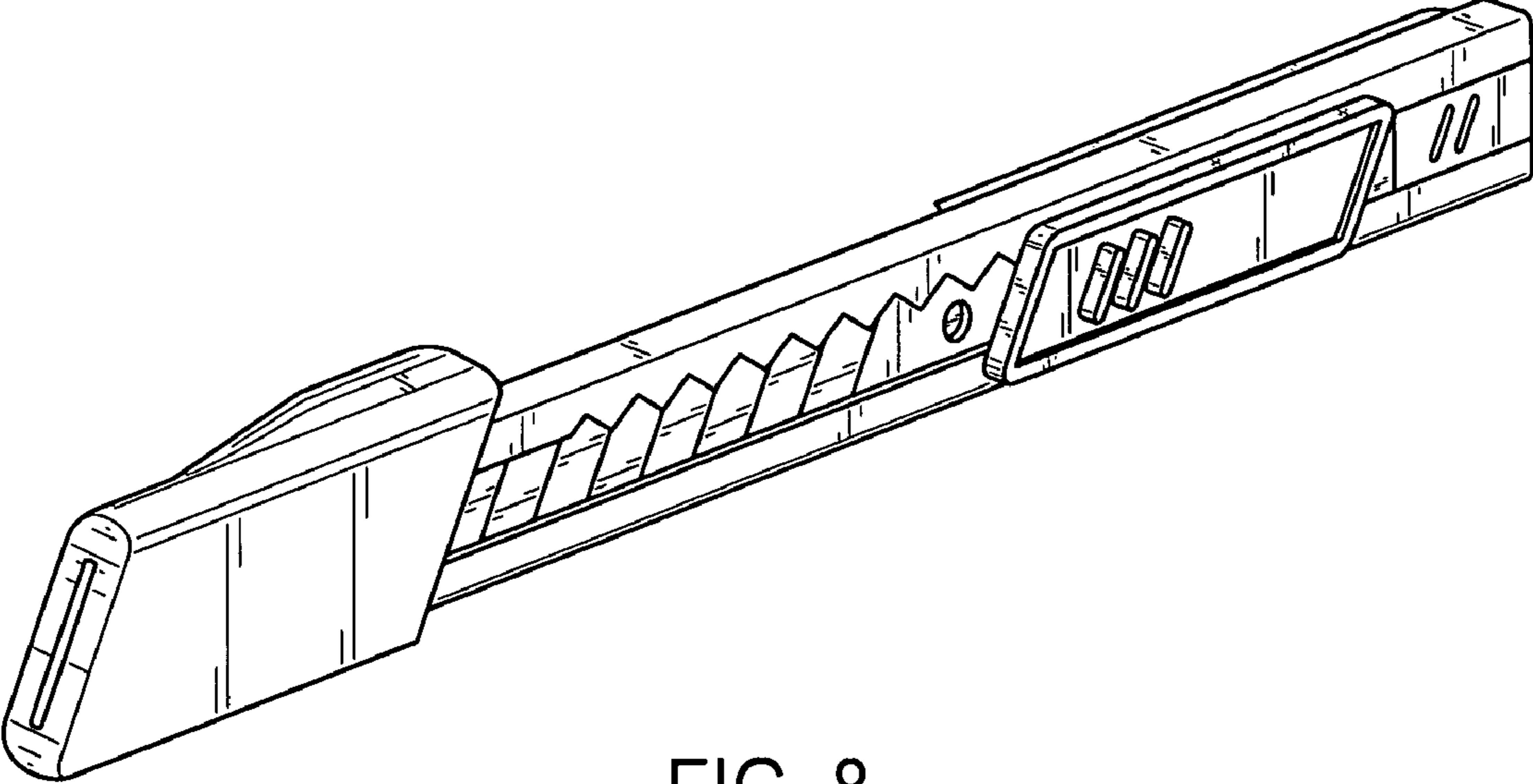


FIG. 8

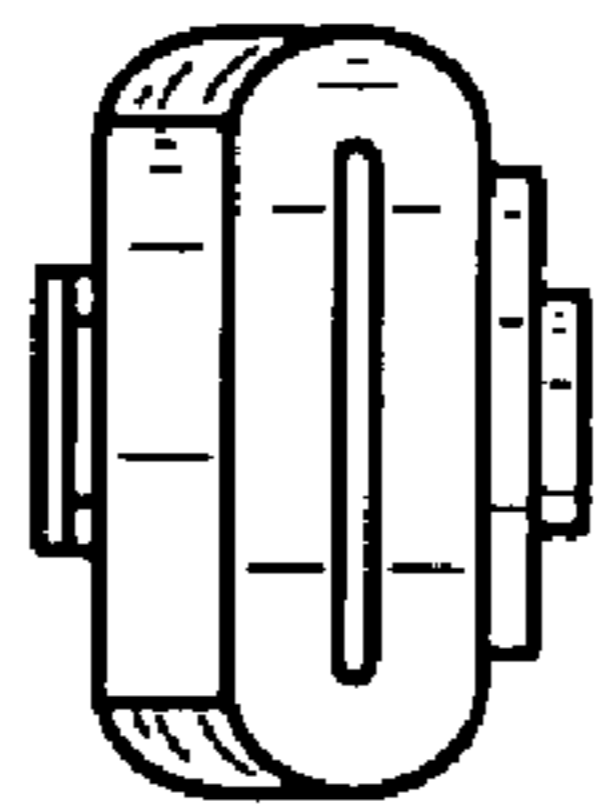


FIG. 9

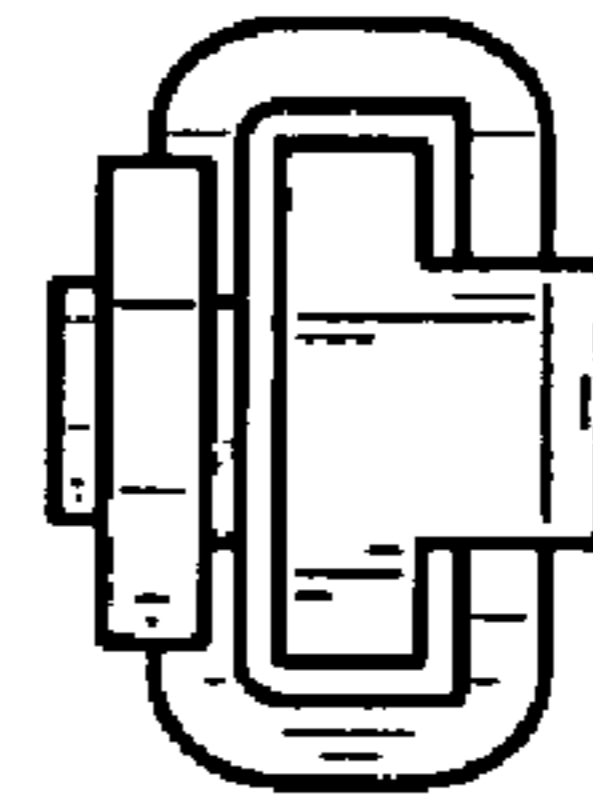


FIG. 10

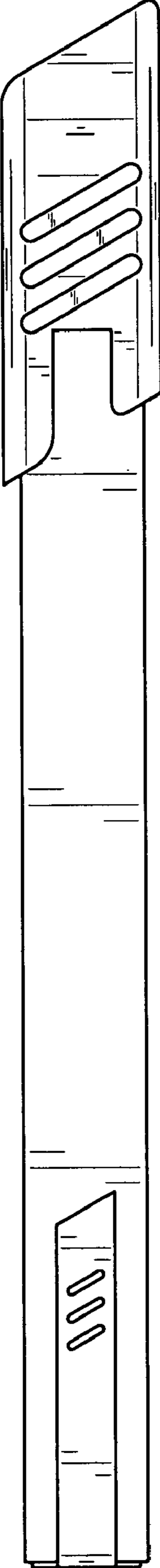


FIG. 11

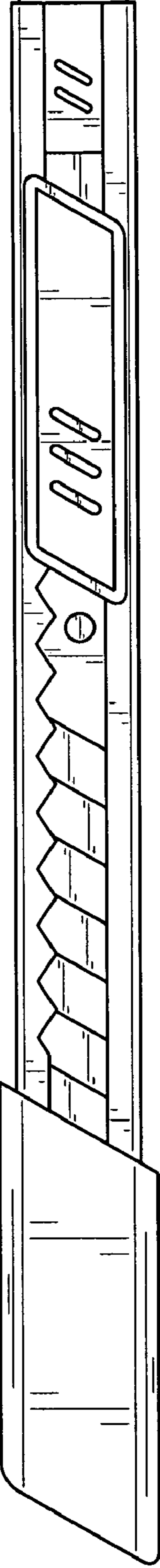


FIG. 12

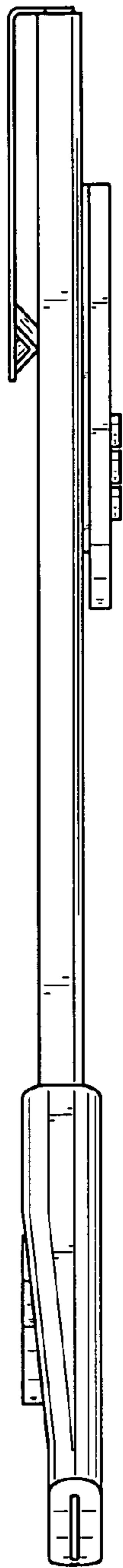


FIG. 13

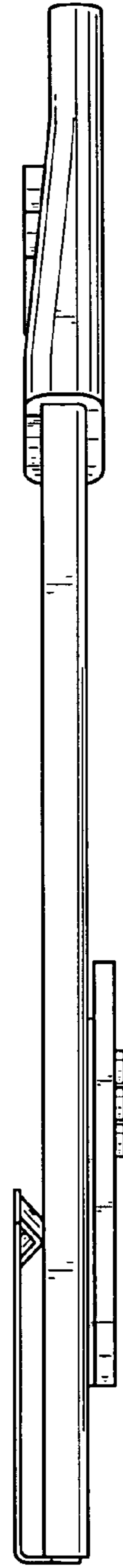


FIG. 14