



US00D602323S

(12) **United States Design Patent**  
**Alleyne**

(10) **Patent No.:** **US D602,323 S**

(45) **Date of Patent:** **\*\* Oct. 20, 2009**

(54) **THUMB TACK REMOVER**

(76) **Inventor:** **Paul M. Alleyne**, 2643 Bridgewater Ave., Lewisville, TX (US) 75054

(\*\*) **Term:** **14 Years**

(21) **Appl. No.:** **29/294,549**

(22) **Filed:** **Jan. 17, 2008**

(51) **LOC (9) Cl.** ..... **08-05**

(52) **U.S. Cl.** ..... **D8/89; D8/14**

(58) **Field of Classification Search** ..... D8/14, D8/88, 89; 254/21, 25, 28; 7/166  
See application file for complete search history.

(56) **References Cited**

**U.S. PATENT DOCUMENTS**

3,218,030	A	11/1965	Baro	
3,549,075	A	12/1970	Tsunemi	
3,899,157	A	8/1975	Thomas	
4,881,676	A	11/1989	St. Peter	
5,031,881	A *	7/1991	Thurmston	254/28
5,820,107	A *	10/1998	Hall	254/25
6,015,136	A	1/2000	Benudiz	
D428,569	S *	7/2000	Miles	D8/89
6,308,935	B1 *	10/2001	RocheFord	254/28
6,409,152	B1	6/2002	Bagley	
6,595,491	B1	7/2003	Harmon	

6,648,203	B2	11/2003	Lord	
6,663,082	B1 *	12/2003	Ploeger	254/21
D499,627	S *	12/2004	Wilson	D8/89
D511,287	S *	11/2005	Lake	D8/89
7,048,255	B2 *	5/2006	Buch et al.	254/28

\* cited by examiner

*Primary Examiner*—Philip S Hyder  
(74) *Attorney, Agent, or Firm*—Robert C. Montgomery; Joseph T. Yaksich

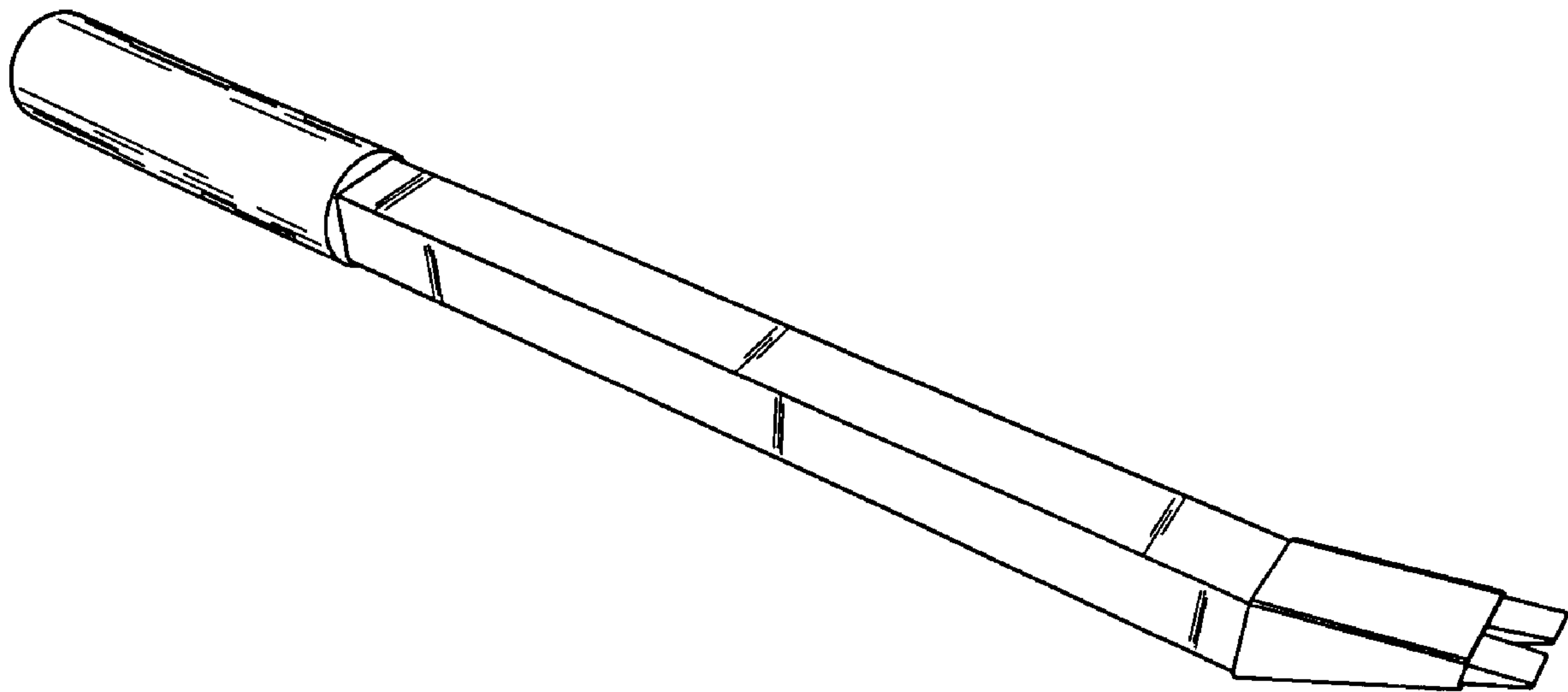
(57) **CLAIM**

The ornamental design for a thumbtack remover, as shown and described.

**DESCRIPTION**

FIG. 1 is a perspective view of a thumbtack remover, as shown and described;  
FIG. 2 is a right-hand side view thereof;  
FIG. 3 is a left-hand side view thereof;  
FIG. 4 is an enlarged front view thereof;  
FIG. 5 is an enlarged rear view thereof;  
FIG. 6 is a top view thereof; and,  
FIG. 7 is a bottom view thereof.

**1 Claim, 7 Drawing Sheets**



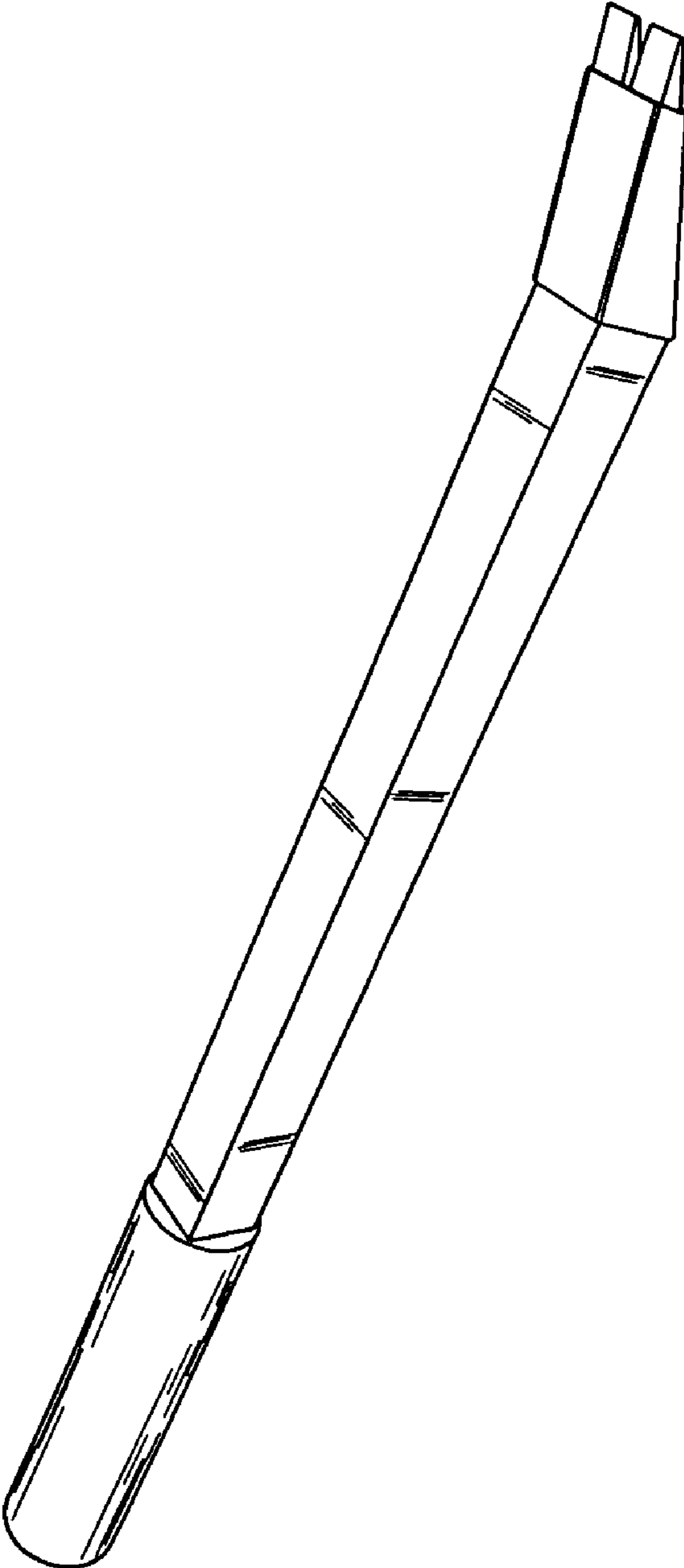


Fig. 1

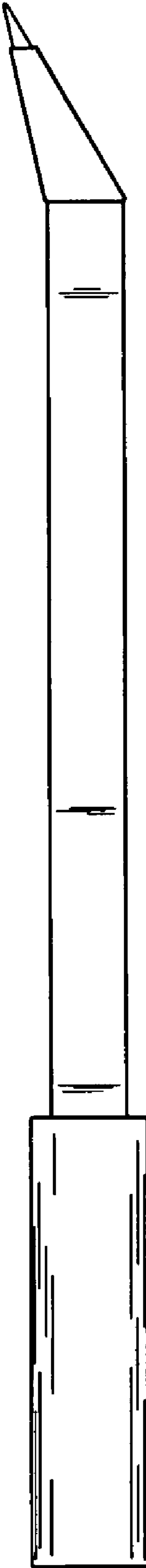


Fig. 2

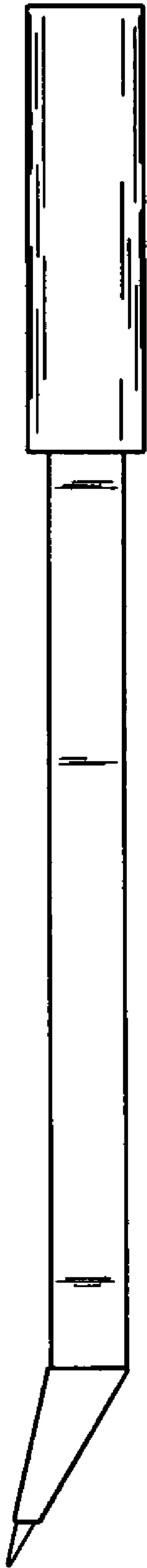


Fig. 3

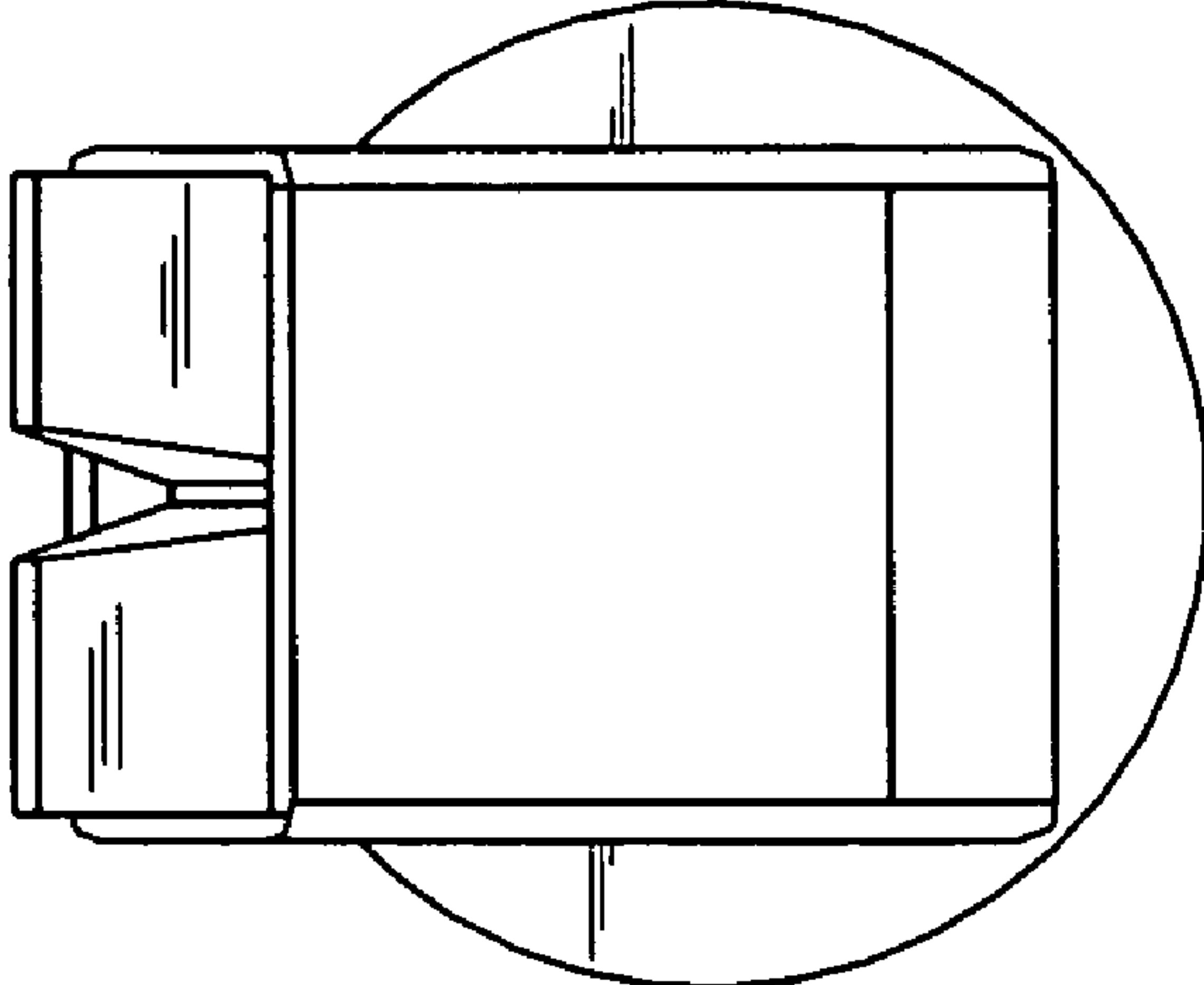


Fig. 4

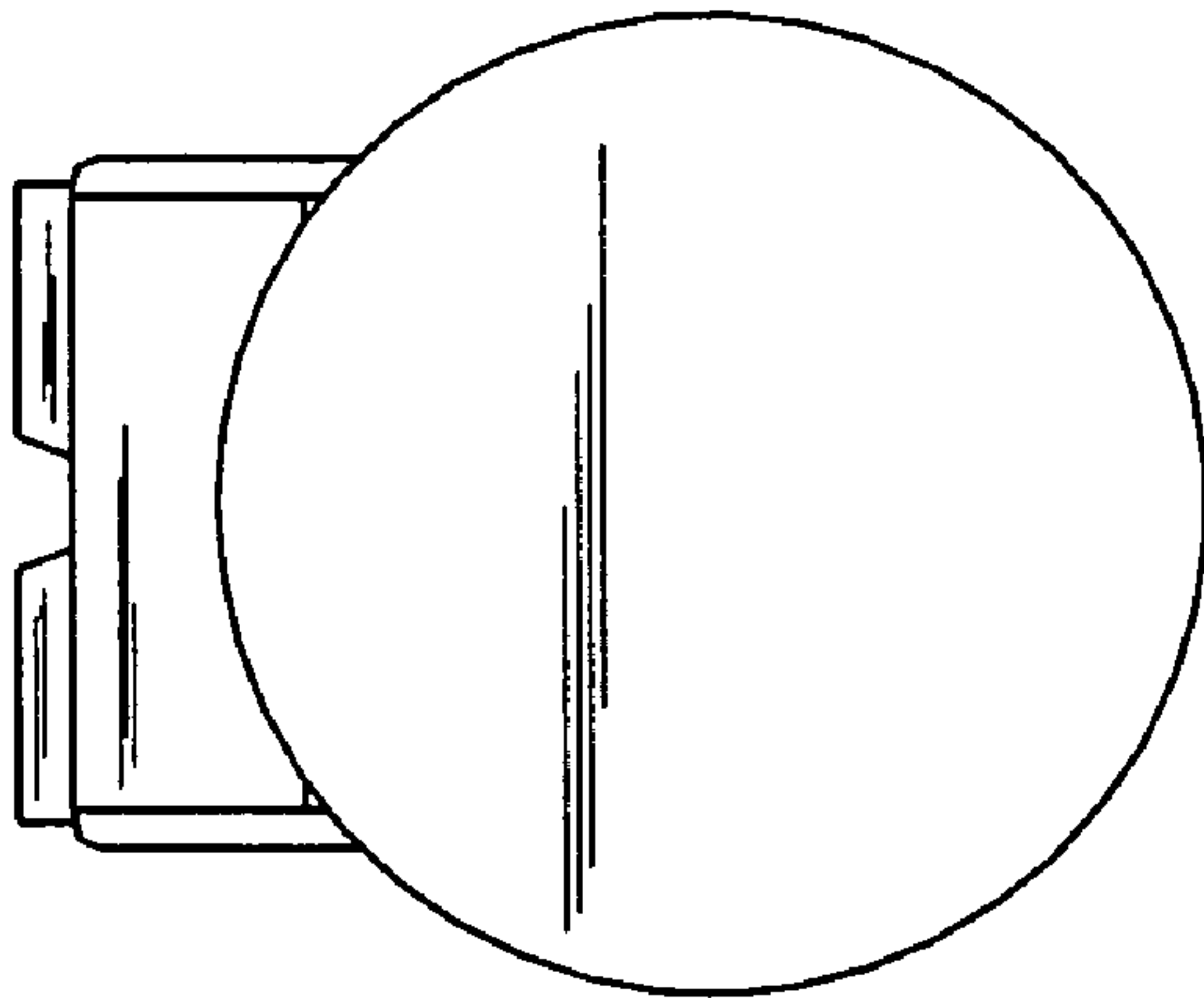


Fig. 5

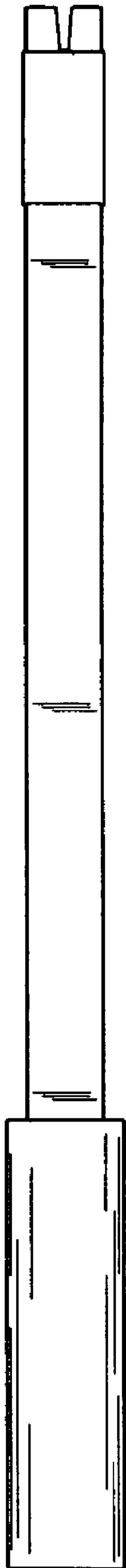


Fig. 6



Fig. 7