



US00D602322S

(12) **United States Design Patent**  
**Chu**

(10) **Patent No.:** **US D602,322 S**

(45) **Date of Patent:** **\*\* Oct. 20, 2009**

(54) **PNEUMATIC SPANNER**

(76) **Inventor:** **Yi-Wei Chu**, 235 Chung - Ho Box 8-24,  
Taipei (TW)

(\*\*) **Term:** **14 Years**

(21) **Appl. No.:** **29/299,372**

(22) **Filed:** **Dec. 23, 2007**

(51) **LOC (9) Cl.** ..... **08-01**

(52) **U.S. Cl.** ..... **D8/67**

(58) **Field of Classification Search** ..... D8/61,  
D8/62, 67, 69; 81/57, 57.11, 57.14, 57.26,  
81/429, 464, 469; 173/2, 170, 176, 181  
See application file for complete search history.

(56) **References Cited**

**U.S. PATENT DOCUMENTS**

D93,943 S *	11/1934	Rand	.....	D8/67
D292,368 S *	10/1987	Mikiya	.....	D8/61
D310,936 S *	10/1990	Saito et al.	.....	D8/67
D448,638 S *	10/2001	Uhl et al.	.....	D8/67
D494,033 S *	8/2004	Thomas et al.	.....	D8/67
D591,130 S *	4/2009	Palermo et al.	.....	D8/69

D594,304 S *	6/2009	Aglassinger	.....	D8/67
2007/0267206 A1 *	11/2007	Chen	.....	173/170
2008/0047778 A1 *	2/2008	Chen	.....	181/175

\* cited by examiner

*Primary Examiner*—Cathron C Brooks

*Assistant Examiner*—Austin Murphy

(57) **CLAIM**

The ornamental design for a pneumatic spanner, as shown and described.

**DESCRIPTION**

FIG. 1 is a perspective view of a pneumatic spanner showing my new design.

FIG. 2 is a left side view thereof;

FIG. 3 is a right side view thereof.

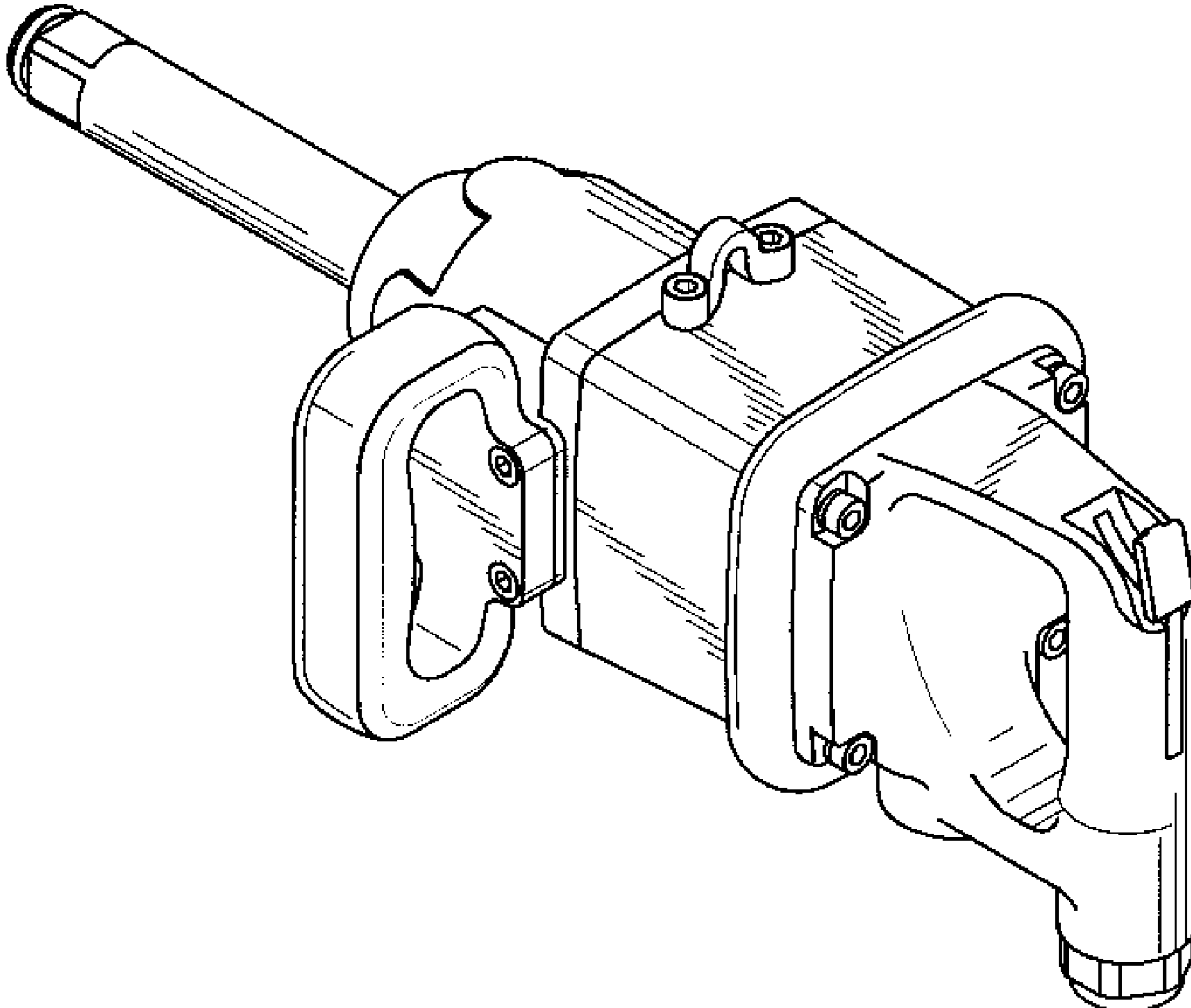
FIG. 4 is a front elevational view thereof.

FIG. 5 is a rear elevational view thereof.

FIG. 6 is a top plan view thereof; and,

FIG. 7 is a bottom plan view thereof.

**1 Claim, 4 Drawing Sheets**



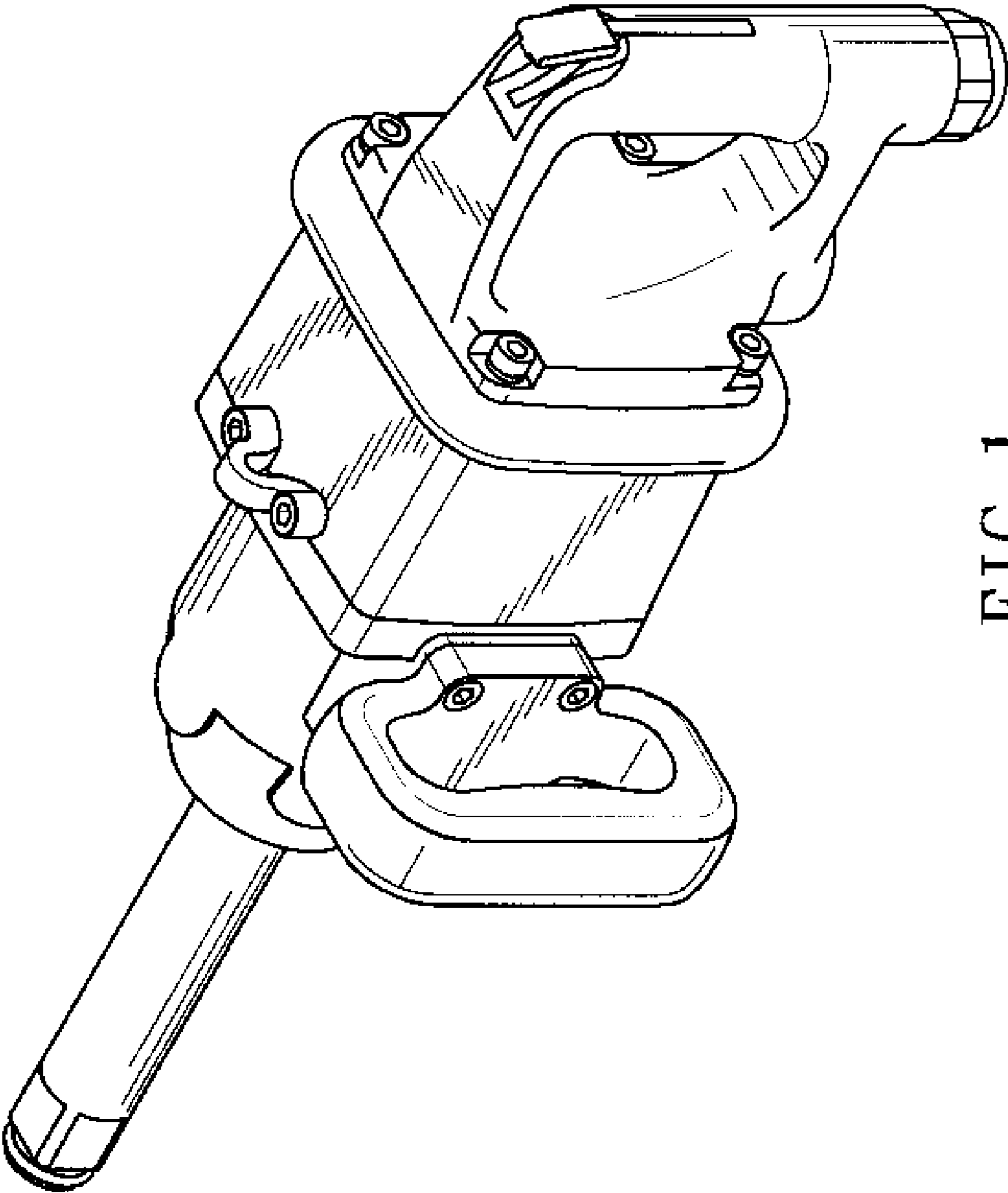


FIG. 1

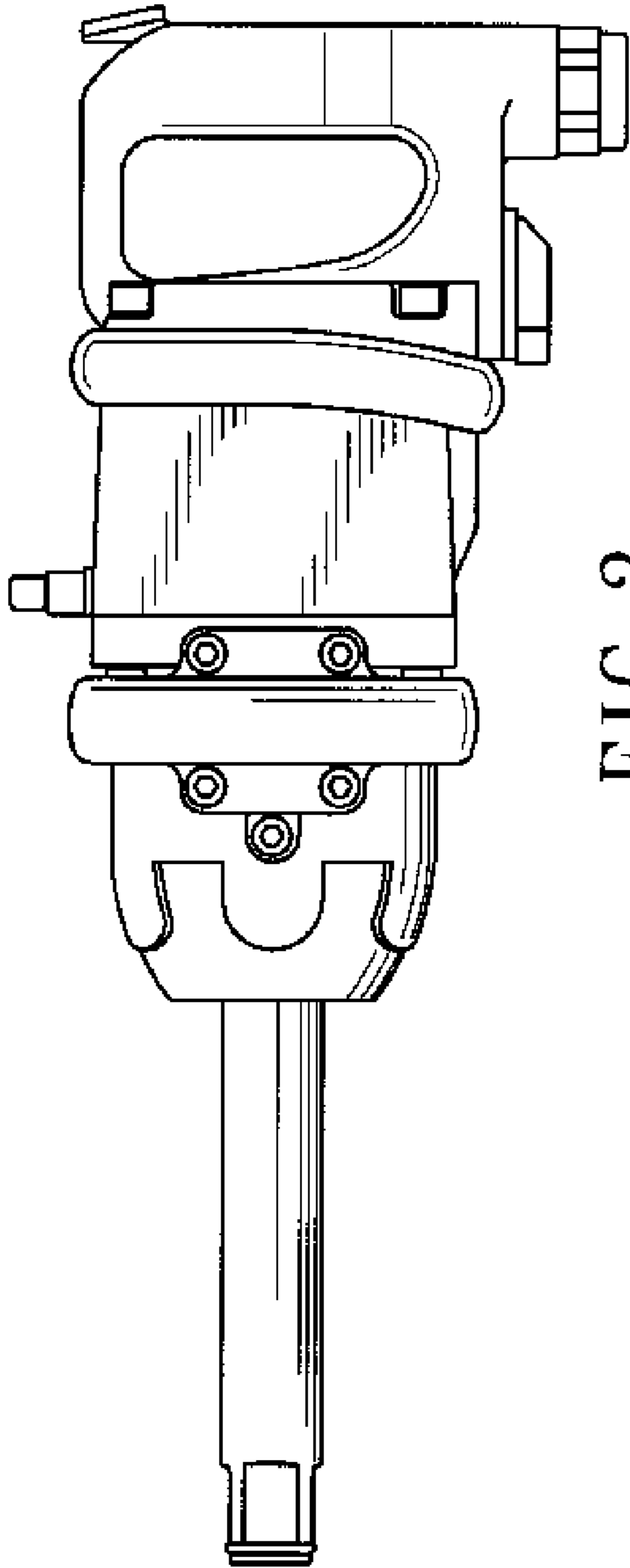


FIG. 2

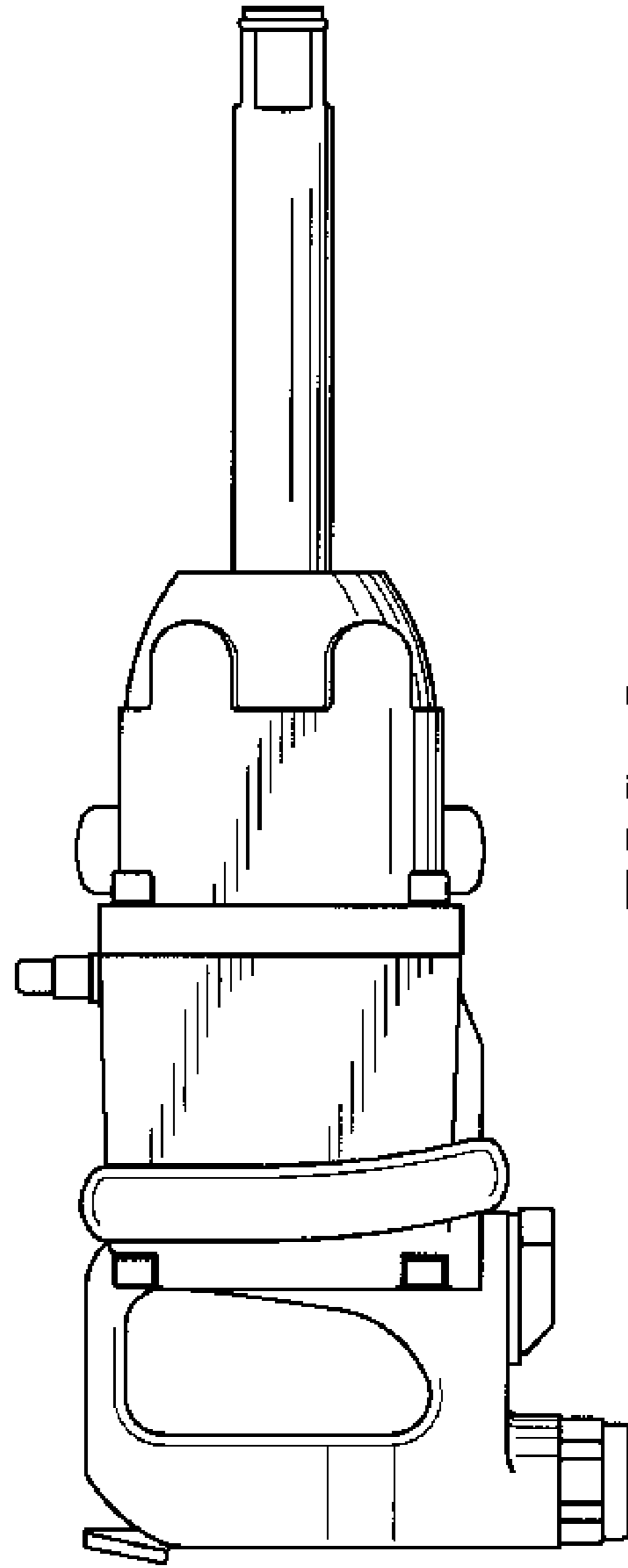


FIG. 3

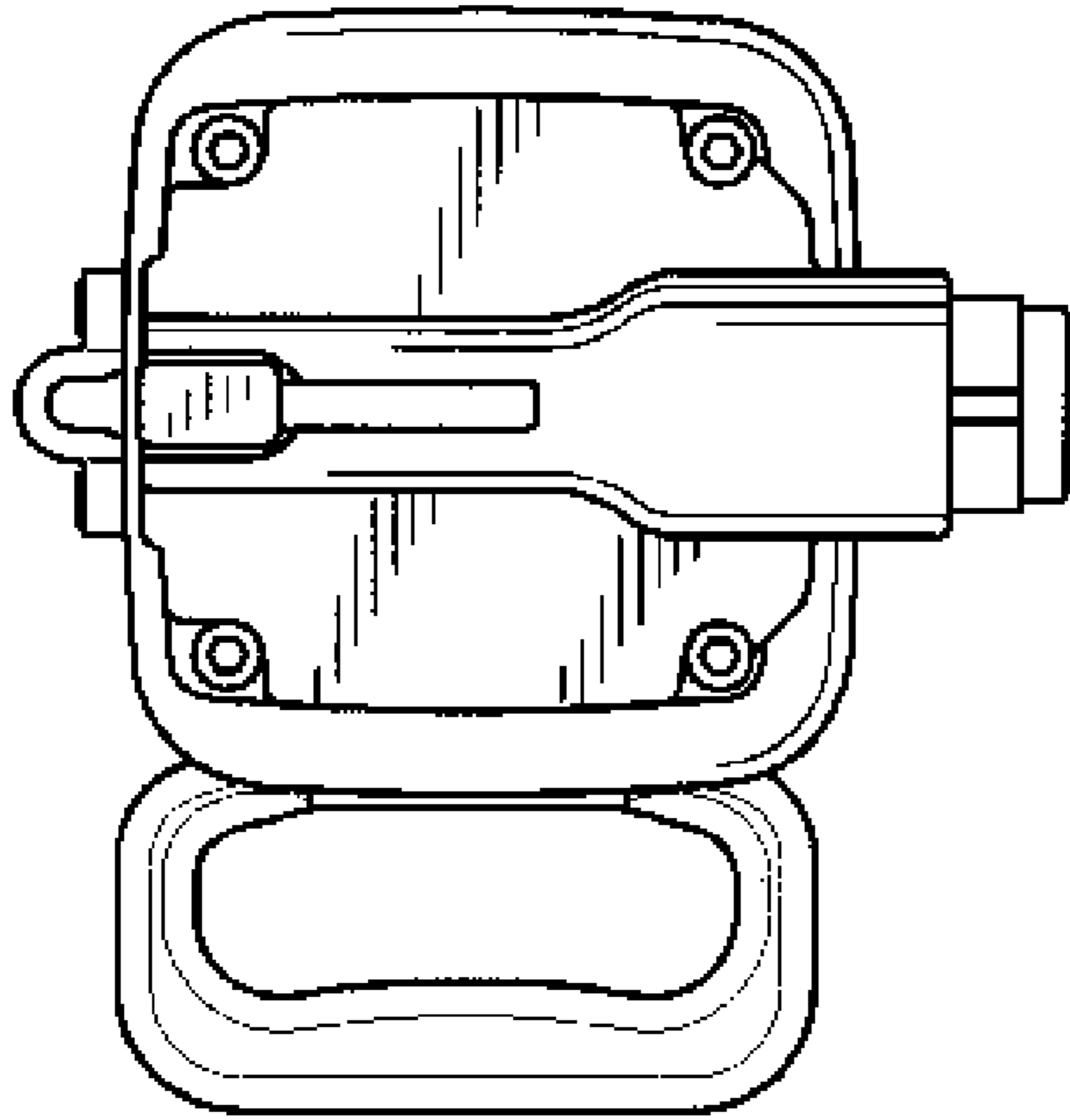


FIG. 5

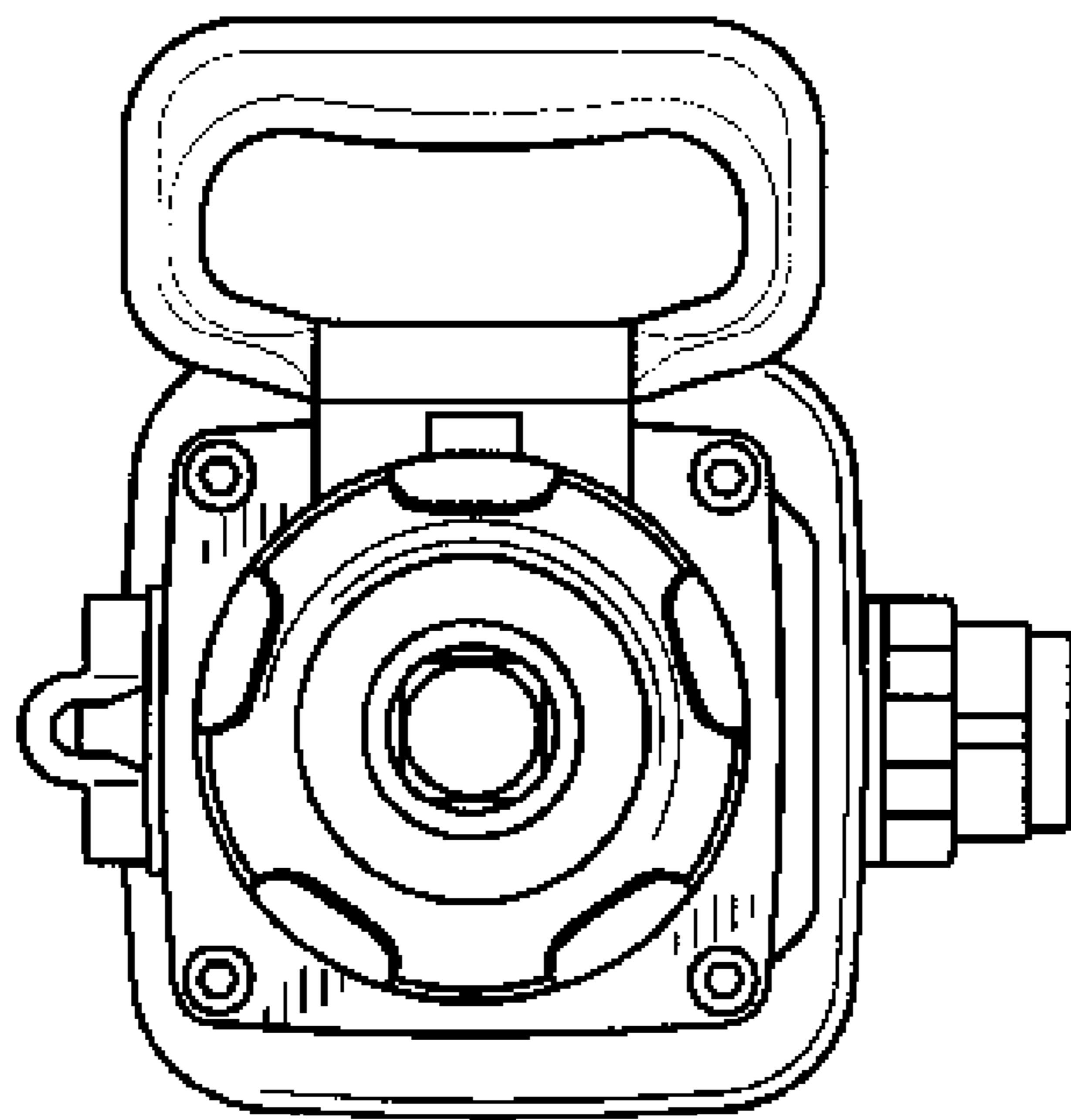


FIG. 4

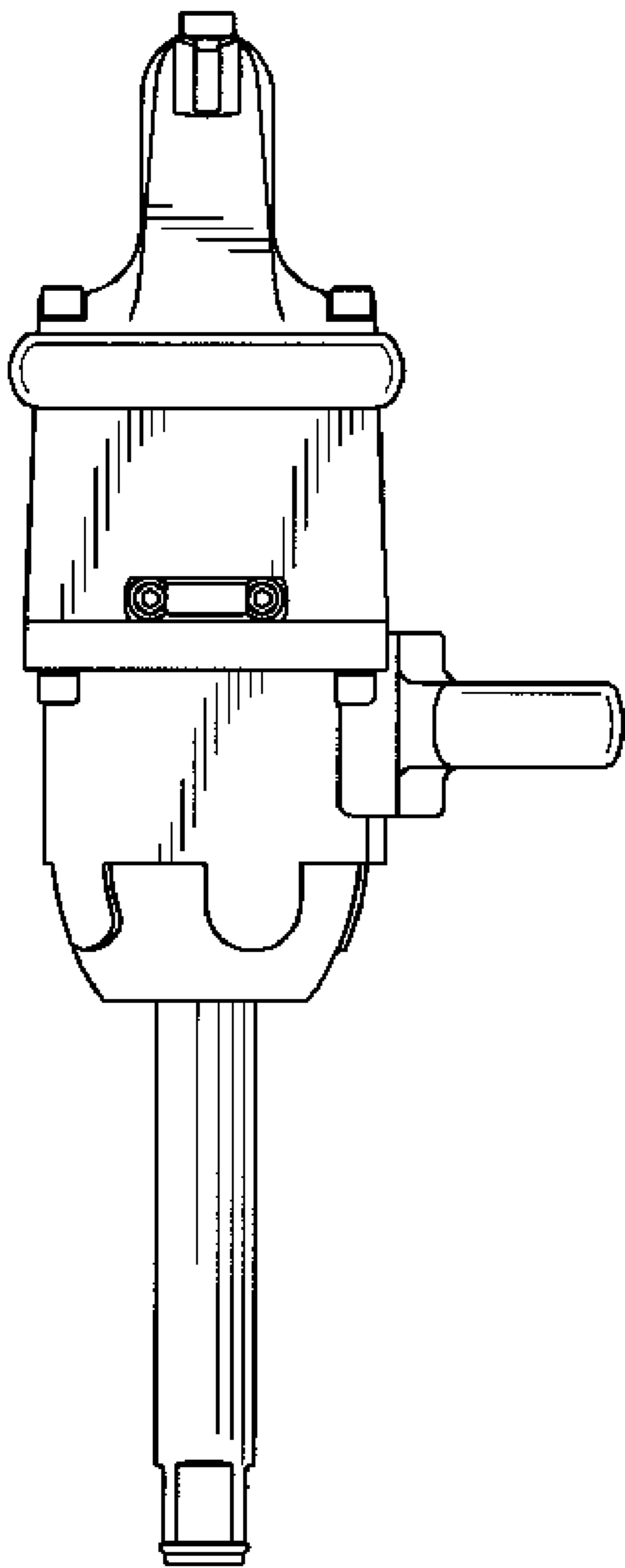


FIG. 6

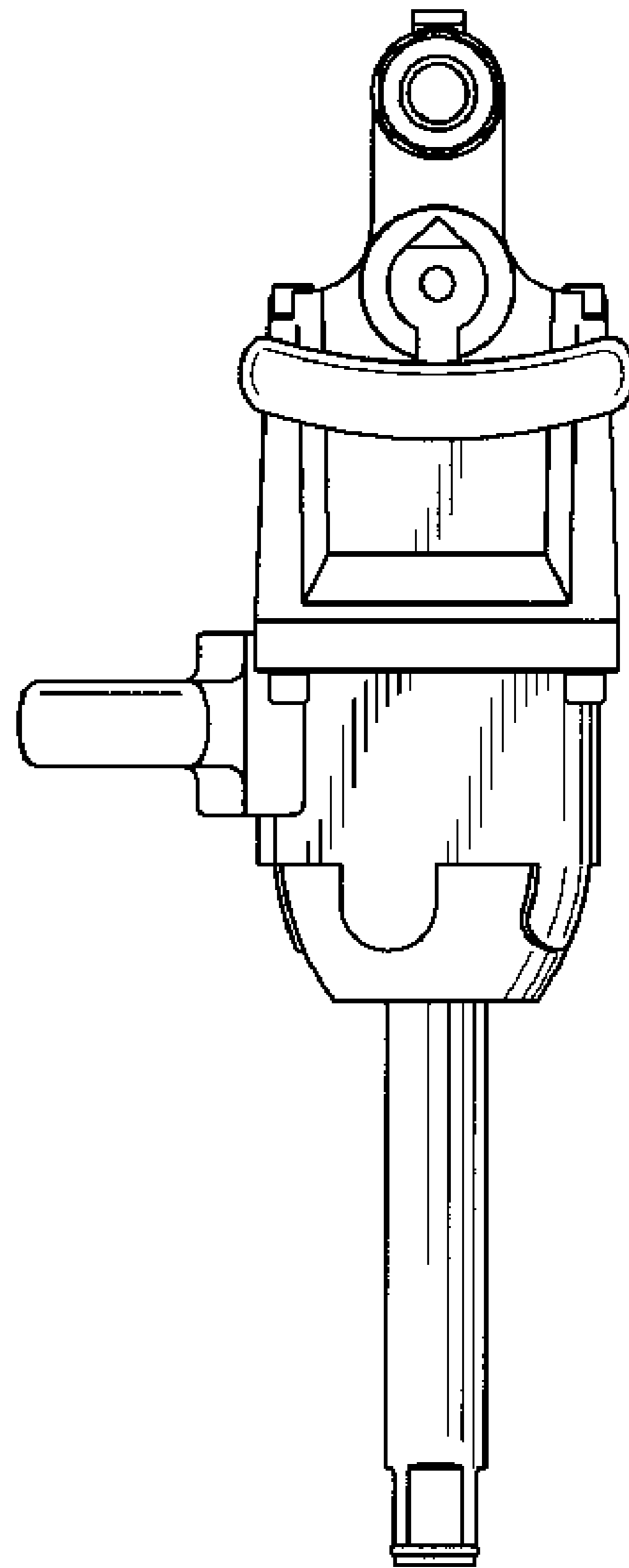


FIG. 7