



US00D602318S

(12) **United States Design Patent**
Chesness

(10) **Patent No.:** **US D602,318 S**
(45) **Date of Patent:** **** Oct. 20, 2009**

(54) **SHOVEL WITH CROSS BAR HANDLE**

(76) Inventor: **Curtis J. Chesness**, 981 140th La.
Northwest, Andover, MN (US) 55304

(**) Term: **14 Years**

(21) Appl. No.: **29/332,110**

(22) Filed: **Feb. 9, 2009**

Related U.S. Application Data

(63) Continuation-in-part of application No. 29/302,506,
filed on Jan. 17, 2008, now Pat. No. Des. 586,192.

(51) **LOC (9) Cl.** **08-01**

(52) **U.S. Cl.** **D8/10**

(58) **Field of Classification Search** D8/10;
294/54.5, 49; 56/400.01

See application file for complete search history.

(56) **References Cited**

U.S. PATENT DOCUMENTS

3,024,547	A *	3/1962	Harrison	37/403
3,380,772	A *	4/1968	Lissakers	37/265
3,475,838	A *	11/1969	Hagen et al.	37/265
3,583,746	A *	6/1971	Lissakers	37/265
3,751,058	A *	8/1973	Larsen	280/30
4,248,466	A *	2/1981	Carper	37/265
D261,351	S *	10/1981	Carper	D8/10
D271,369	S *	11/1983	Gesner	D8/10
D305,603	S *	1/1990	Nelson et al.	D15/11
D333,074	S *	2/1993	Ciccarelli	D8/10
D361,482	S *	8/1995	Fugal	D8/10
D375,235	S *	11/1996	Spear et al.	D8/10
D375,882	S *	11/1996	Ritchie et al.	D8/10

5,577,786	A *	11/1996	Laine	294/54.5
D378,890	S *	4/1997	Furno	D3/10
D392,522	S *	3/1998	Kenyon	D8/10
D405,665	S *	2/1999	Whitehead et al.	D8/10
5,887,919	A *	3/1999	Sallinen et al.	294/54.5
D409,885	S *	5/1999	McKenzie	D8/10
D475,257	S *	6/2003	Somers	D8/10
D563,182	S *	3/2008	Kopp	D8/10
D564,846	S *	3/2008	Kopp	D8/10
D586,192	S *	2/2009	Chesness	D8/10

* cited by examiner

Primary Examiner—Holly H Baynham

Assistant Examiner—Sheryl Lane

(74) *Attorney, Agent, or Firm*—Dorsey & Whitney LLP; Brett A. Klein

(57) **CLAIM**

I claim the ornamental design for a shovel with a crossbar handle, as shown and described.

DESCRIPTION

FIG. 1 is a front perspective view of a shovel with crossbar handle.

FIG. 2 is a rear perspective view of the shovel with crossbar handle.

FIG. 3 is a front view of the shovel with crossbar handle.

FIG. 4 is a rear view of the shovel with crossbar handle.

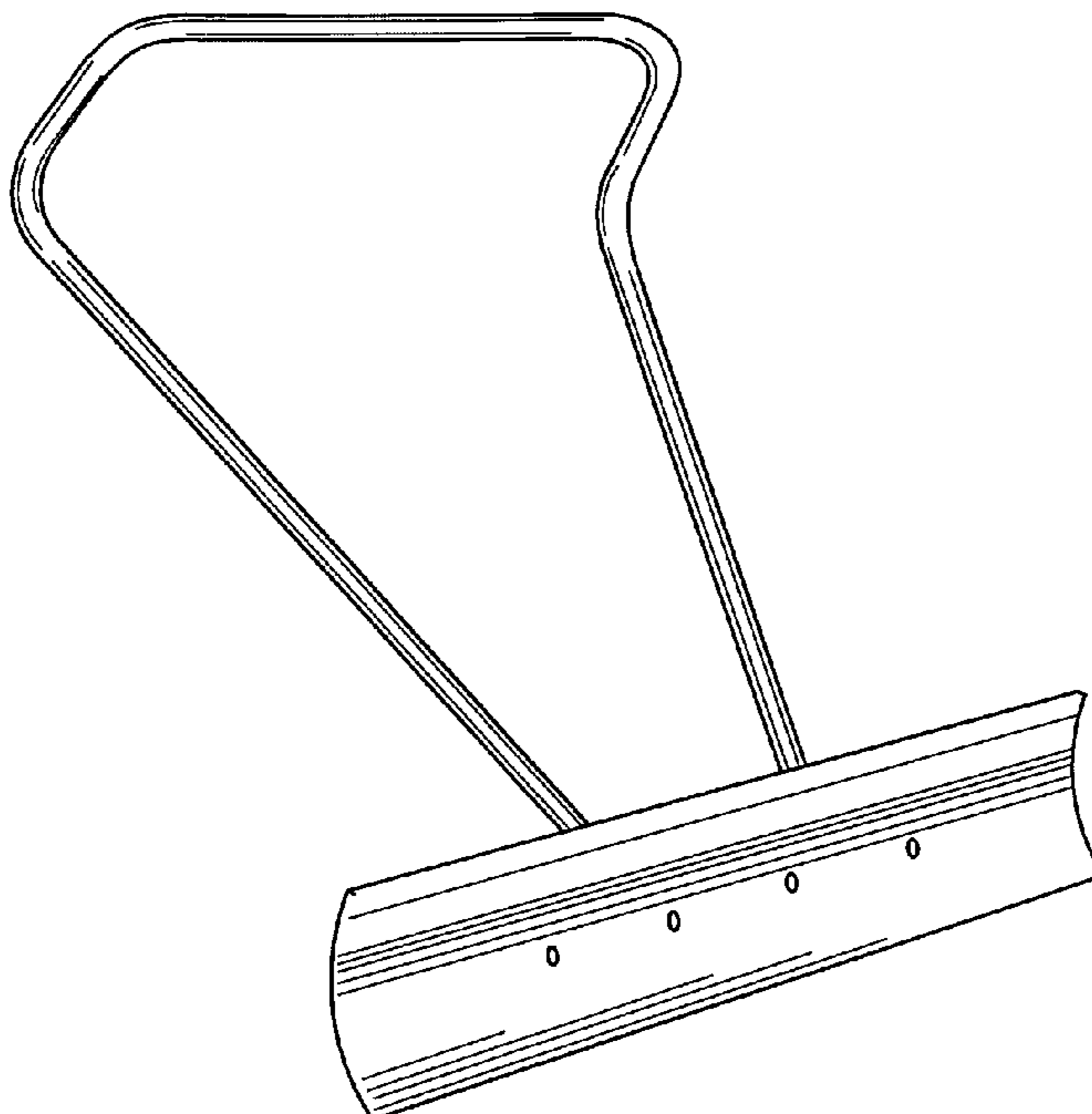
FIG. 5 is a left side view of the shovel with crossbar handle.

FIG. 6 is a right side view of the shovel with crossbar handle.

FIG. 7 is a top view of the shovel with crossbar handle; and,

FIG. 8 is a bottom view of the shovel with crossbar handle.

1 Claim, 3 Drawing Sheets



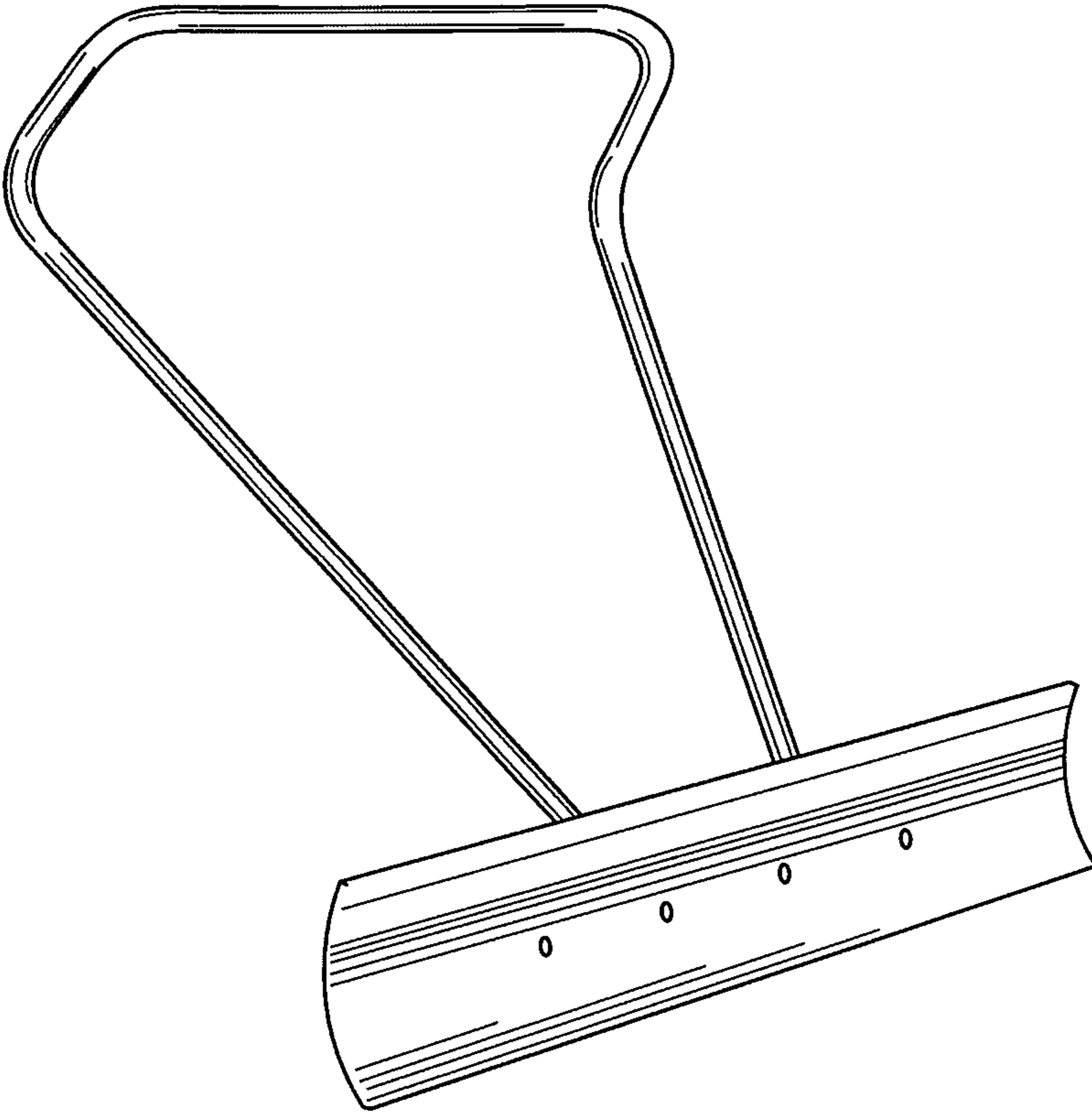


FIG. 1

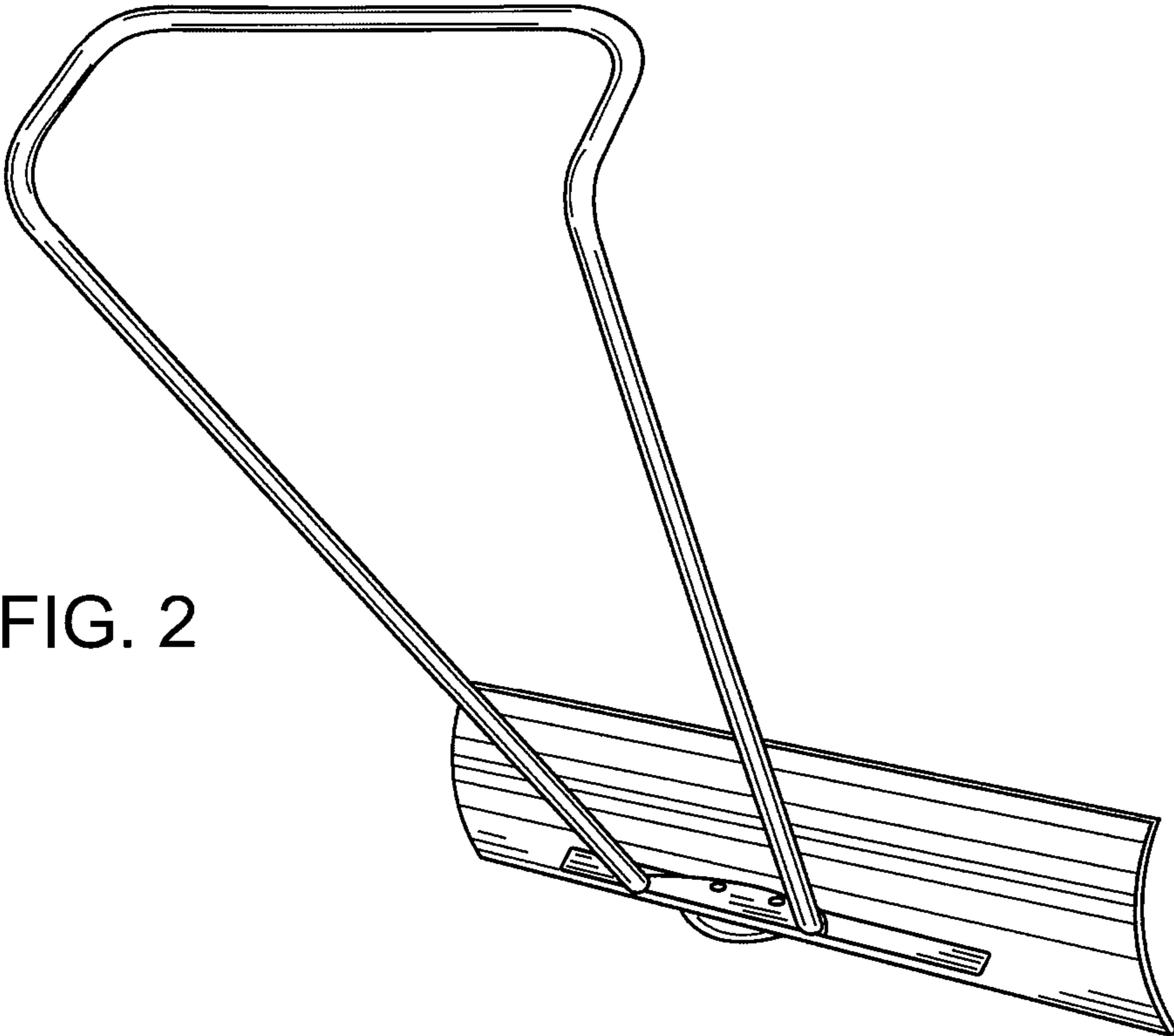


FIG. 2

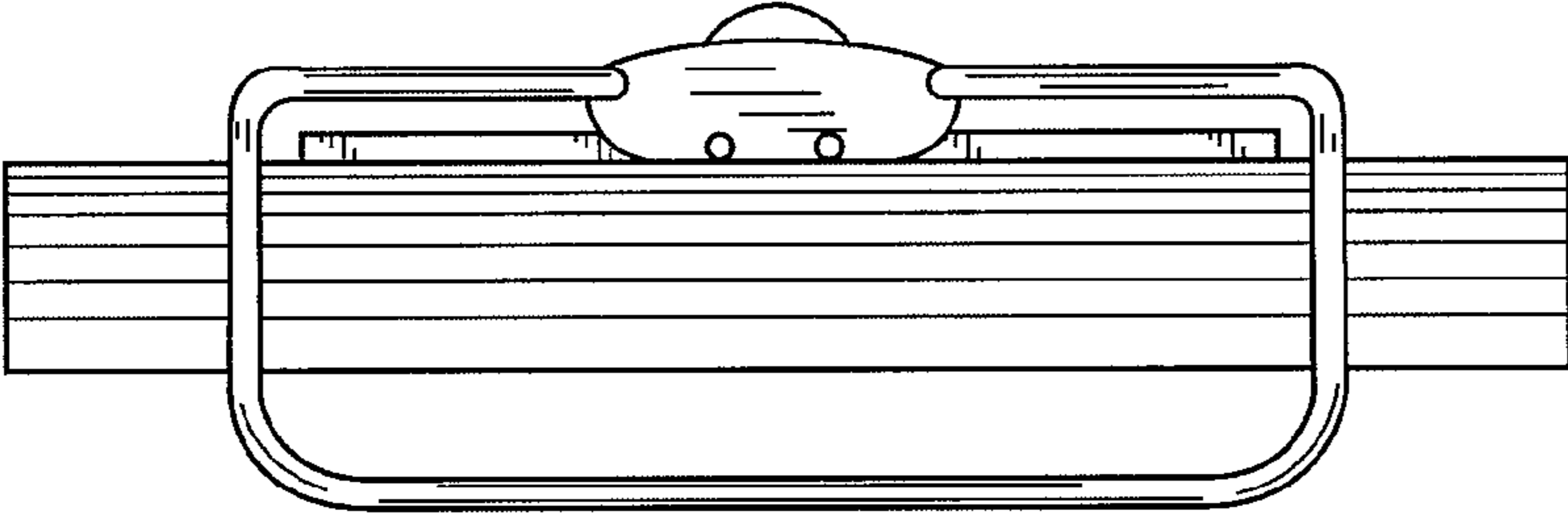


FIG. 7

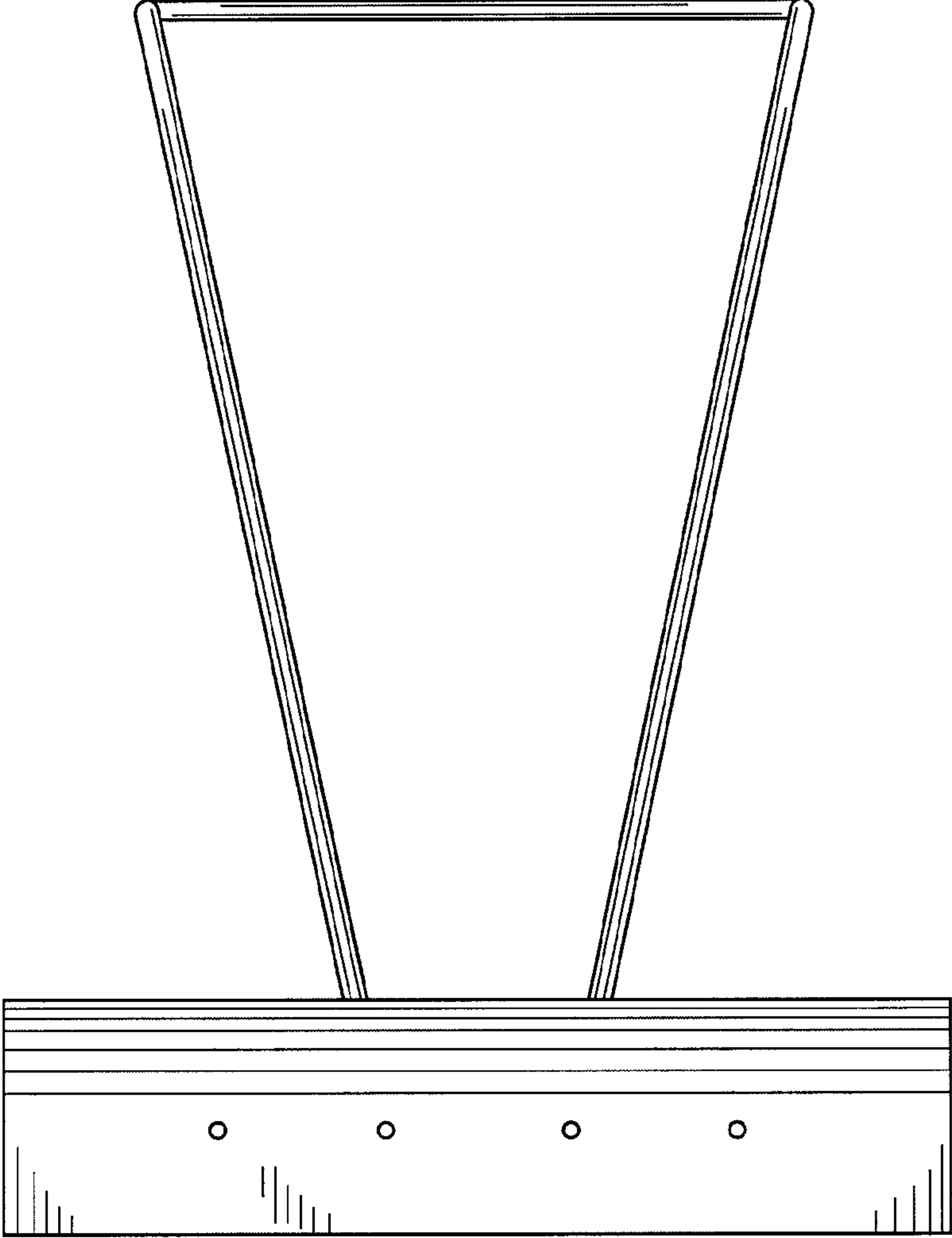


FIG. 3

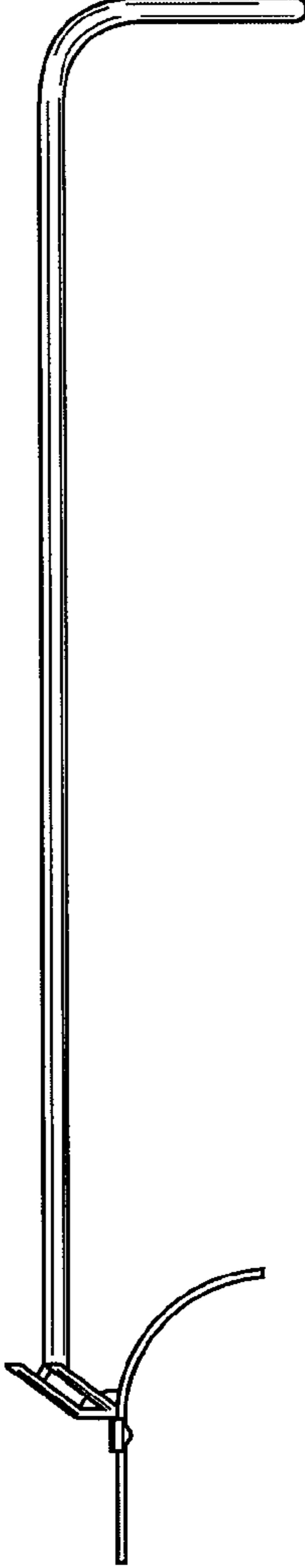


FIG. 6

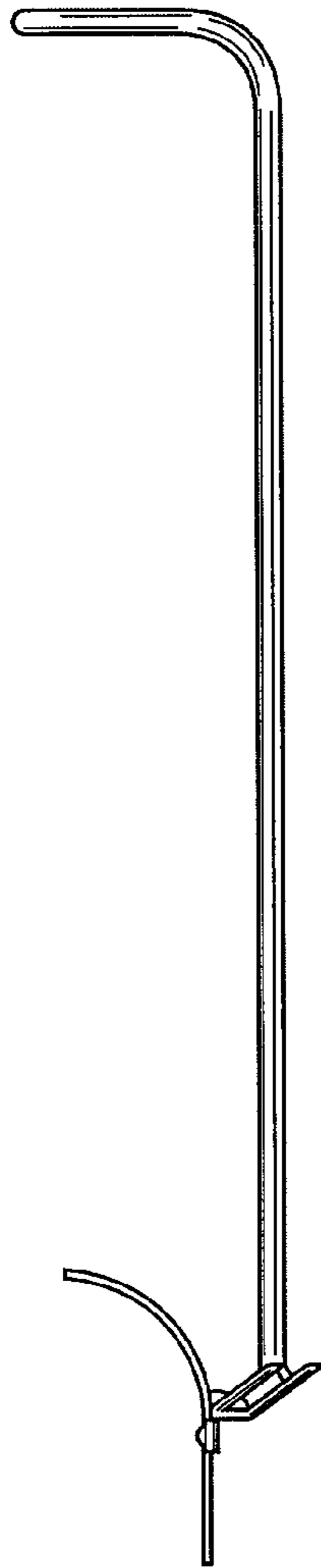


FIG. 5

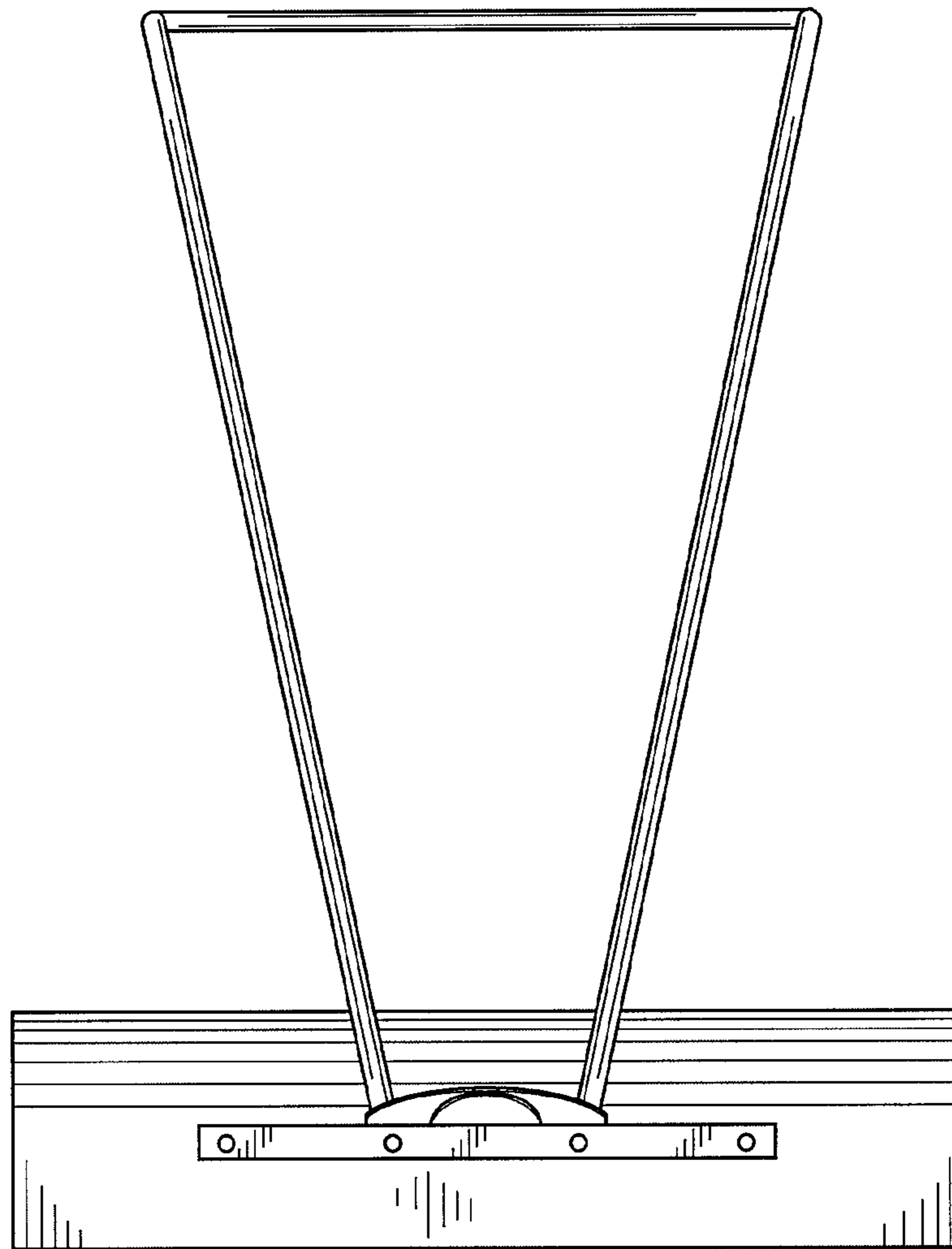


FIG. 4

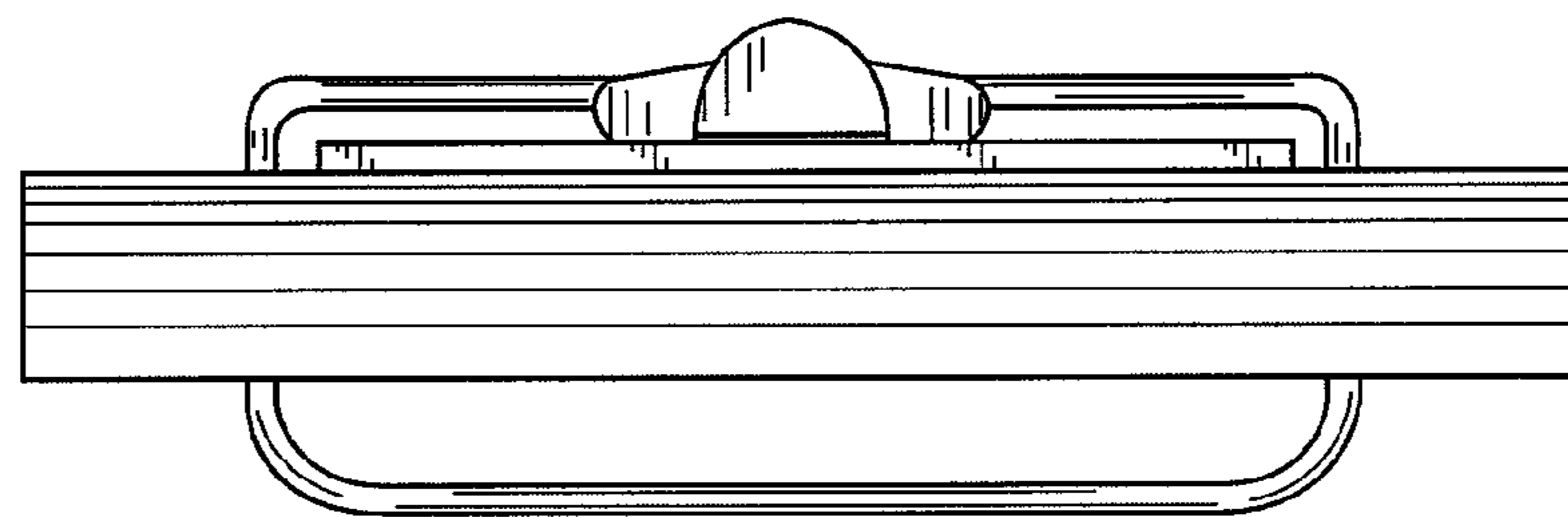


FIG. 8