



US00D602317S

(12) **United States Design Patent**  
**Aglassinger**

(10) **Patent No.:** **US D602,317 S**

(45) **Date of Patent:** **\*\* Oct. 20, 2009**

(54) **LAWN TRIMMER**

(75) Inventor: **Hans-Peter Aglassinger**, Esslingen (DE)

(73) Assignee: **Robert Bosch GmbH**, Stuttgart (DE)

(\*\*) Term: **14 Years**

(21) Appl. No.: **29/328,165**

(22) Filed: **Nov. 20, 2008**

(30) **Foreign Application Priority Data**

Sep. 18, 2008 (EM) ..... 001005045

(51) **LOC (9) Cl.** ..... **08-01**

(52) **U.S. Cl.** ..... **D8/8**

(58) **Field of Classification Search** ..... D8/8,  
D8/7, 14; 56/12.7

See application file for complete search history.

(56) **References Cited**

**U.S. PATENT DOCUMENTS**

D393,402 S \* 4/1998 Kikuchi et al. .... D8/8  
D443,188 S \* 6/2001 Shih ..... D8/8  
D487,216 S \* 3/2004 Arvidsson et al. .... D8/8  
D518,690 S \* 4/2006 Grey ..... D8/8

D526,548 S \* 8/2006 Aglassinger ..... D8/62  
D552,948 S \* 10/2007 Aglassinger et al. .... D8/8  
D586,636 S \* 2/2009 Aglassinger ..... D8/66  
2006/0075641 A1 \* 4/2006 Nottingham et al. .... 30/100

\* cited by examiner

*Primary Examiner*—Holly H Baynham

*Assistant Examiner*—Sheryl Lane

(74) *Attorney, Agent, or Firm*—Victor A. Henzi

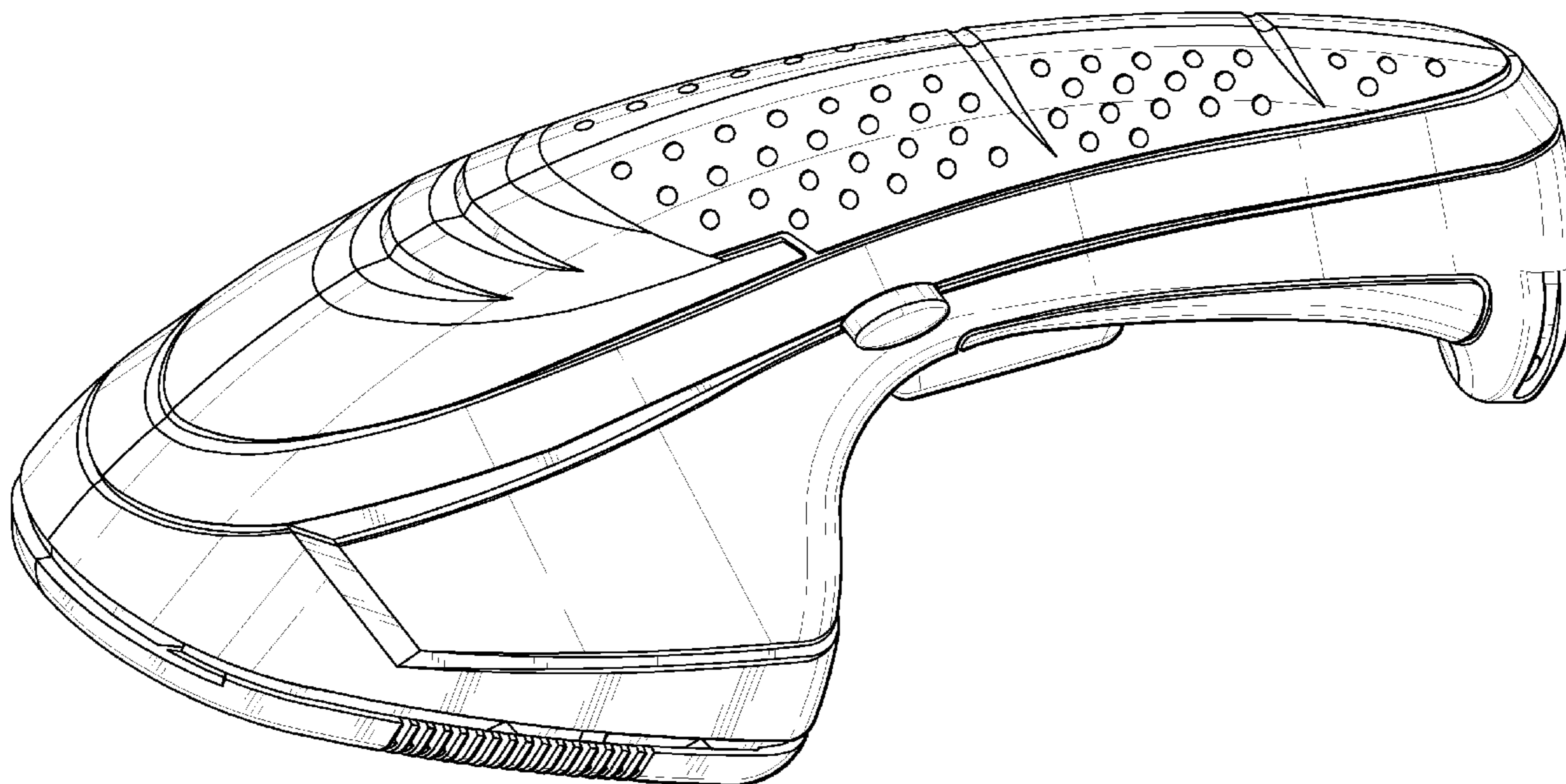
(57) **CLAIM**

The ornamental design for the lawn trimmer, as shown and described.

**DESCRIPTION**

FIG. 1 is a top left front perspective view of the lawn trimmer;  
FIG. 2 is a front elevational view thereof;  
FIG. 3 is a left elevational view thereof;  
FIG. 4 is a rear elevational view thereof;  
FIG. 5 is a right elevational view thereof;  
FIG. 6 is a top plan view thereof; and,  
FIG. 7 is a bottom plan view thereof.

**1 Claim, 7 Drawing Sheets**



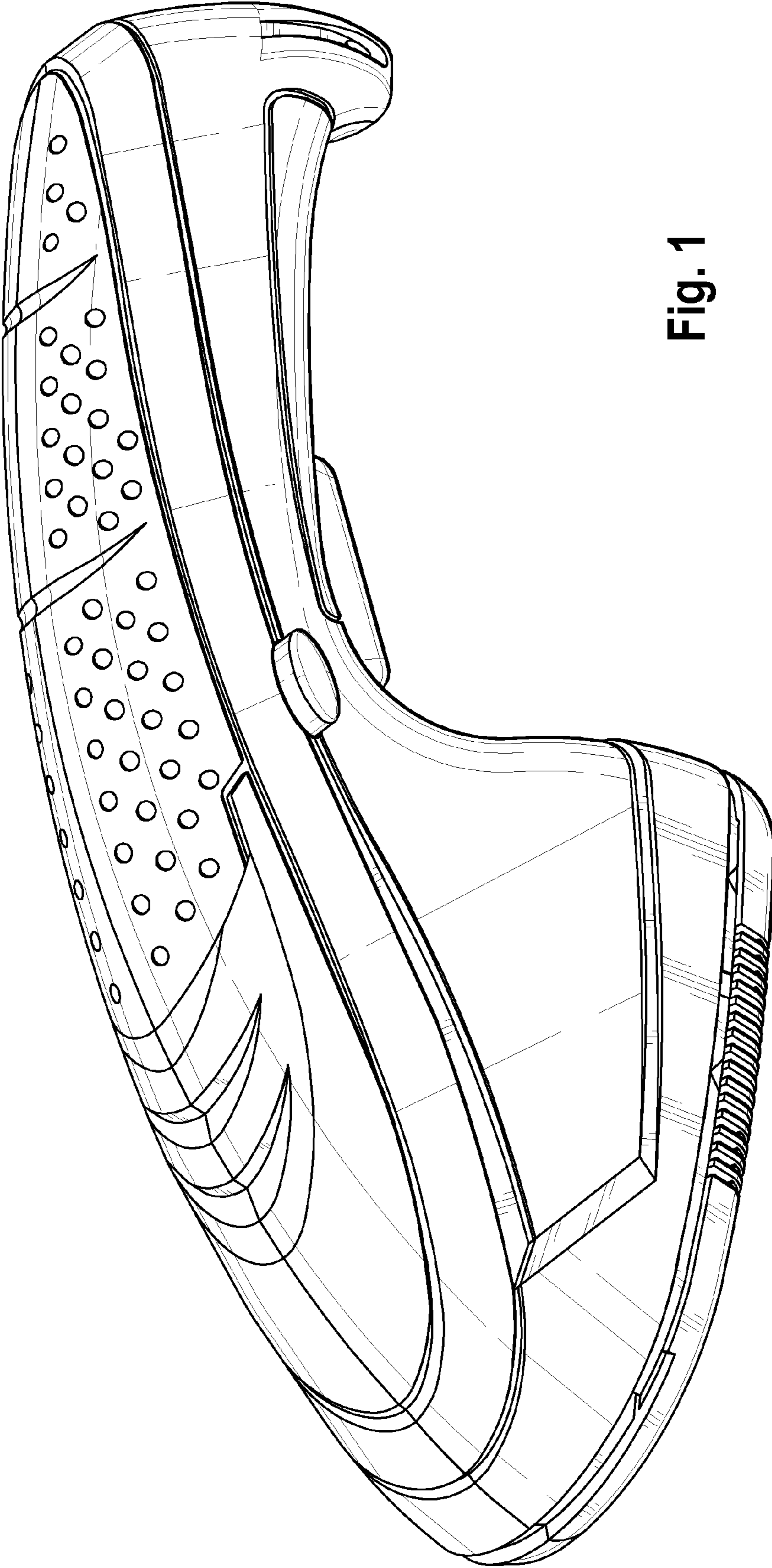


Fig. 1

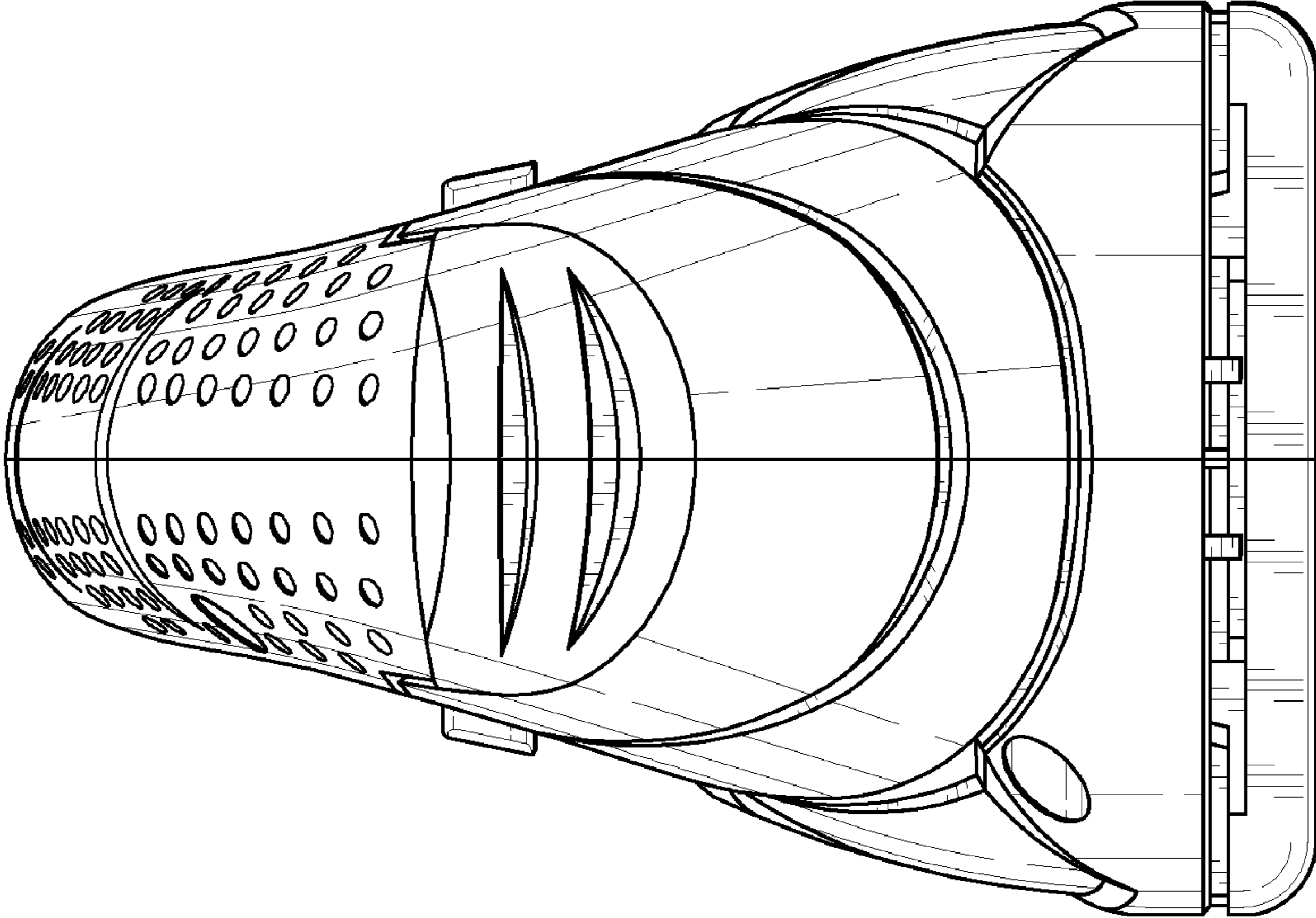


Fig. 2



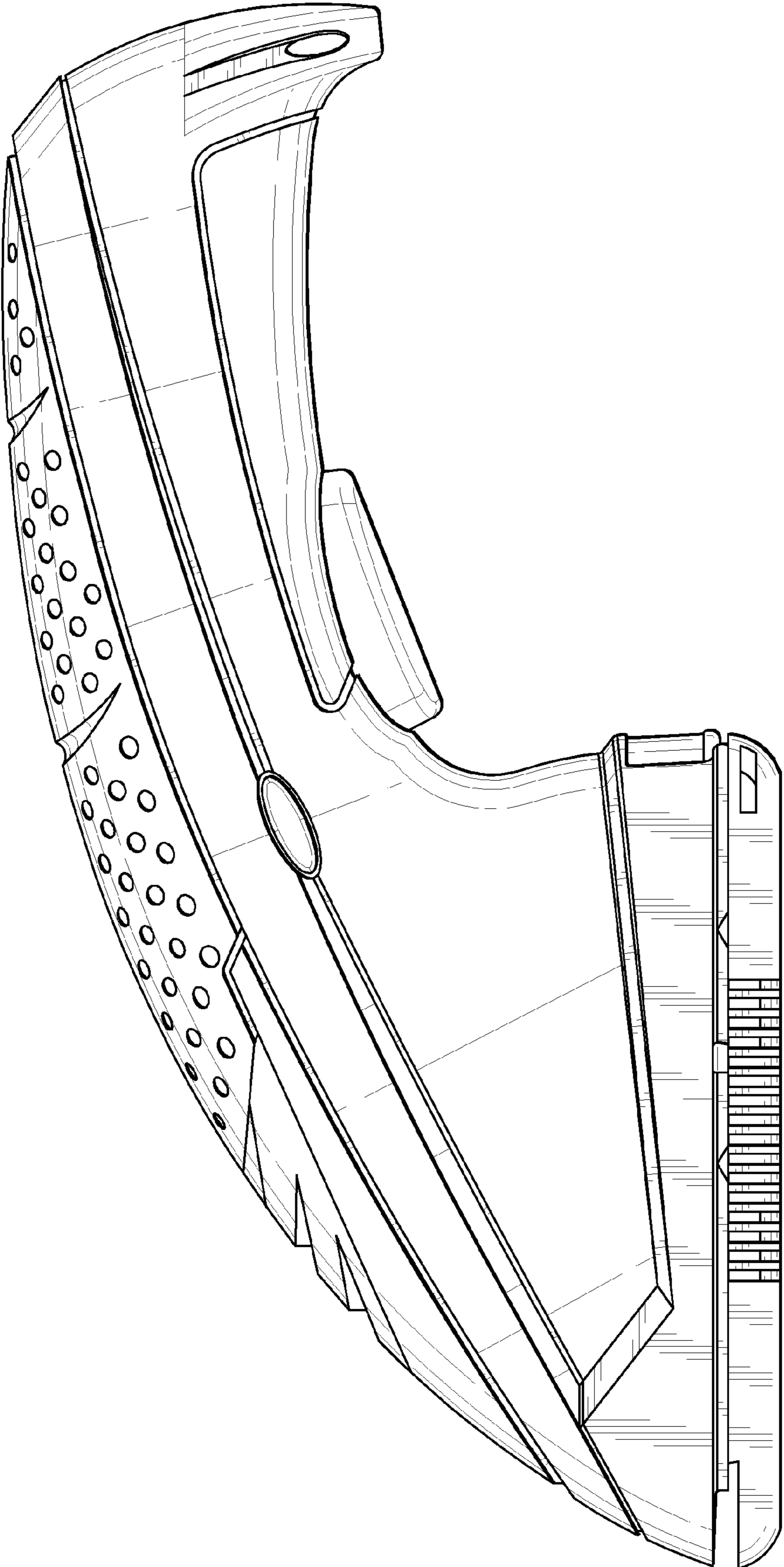


Fig. 3

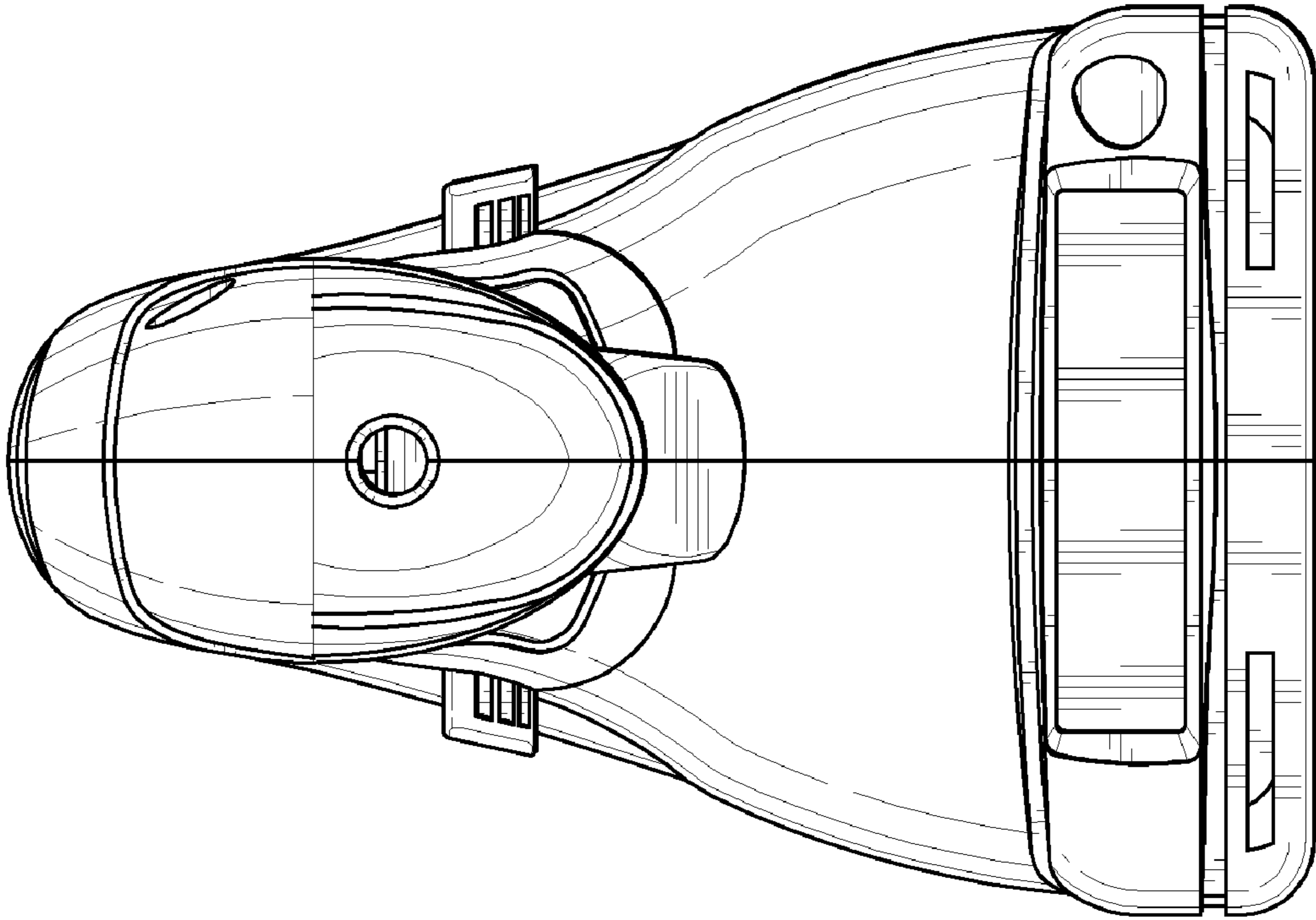


Fig. 4

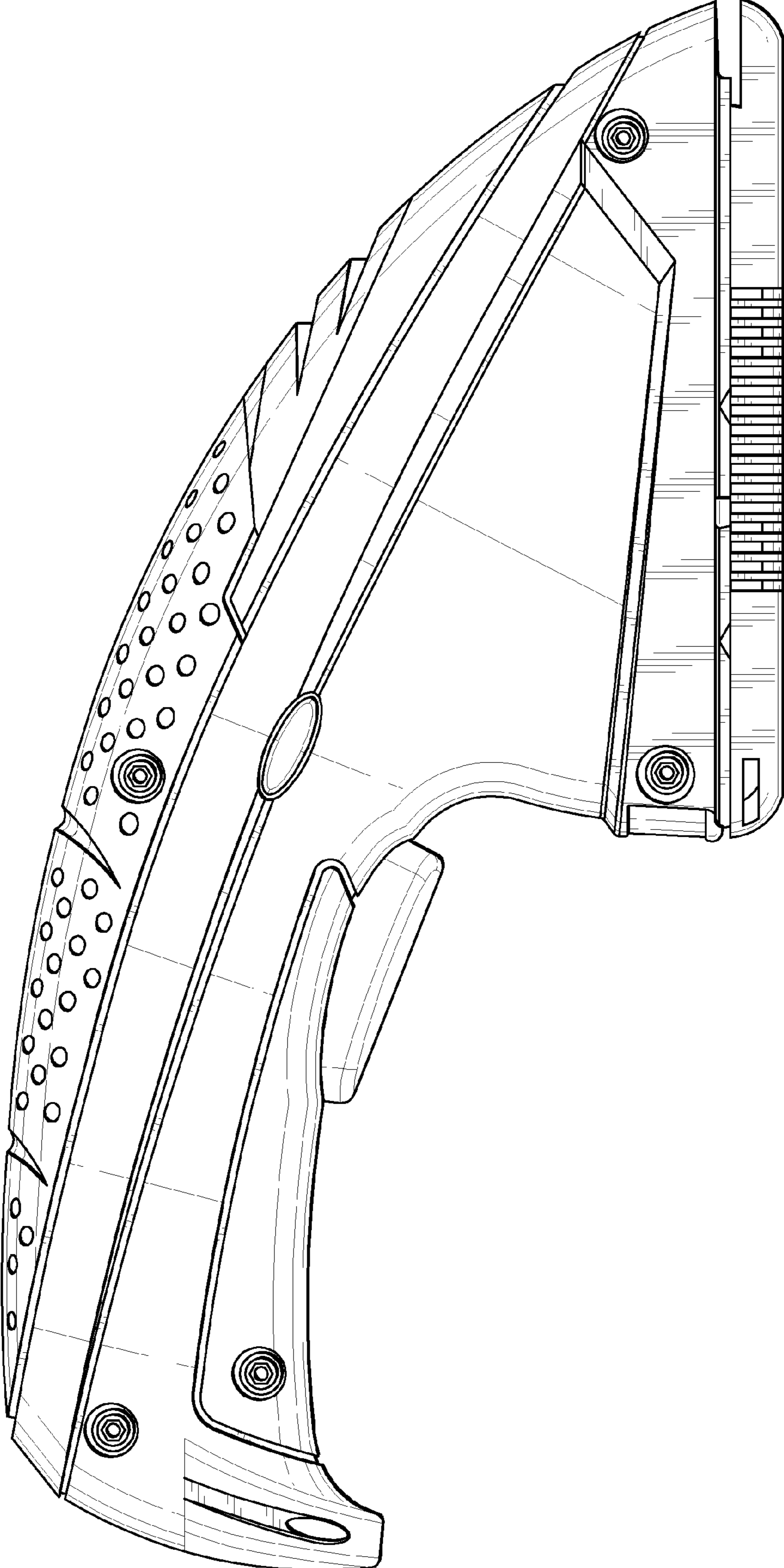


Fig. 5

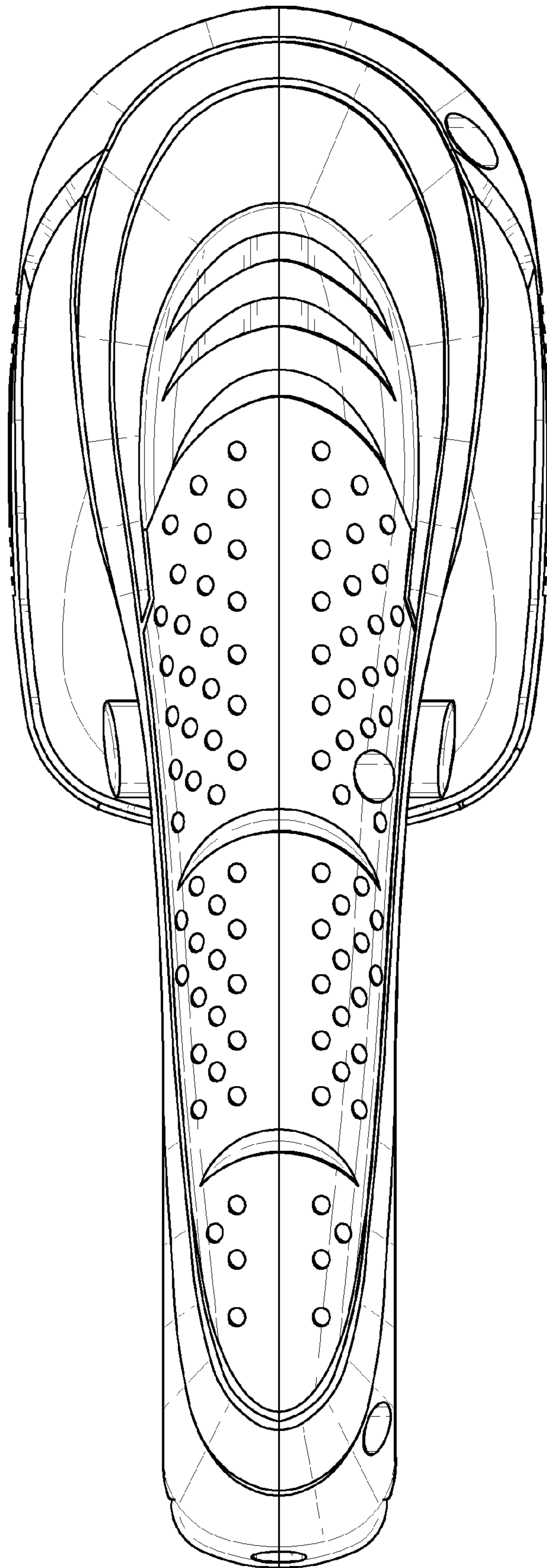


Fig. 6

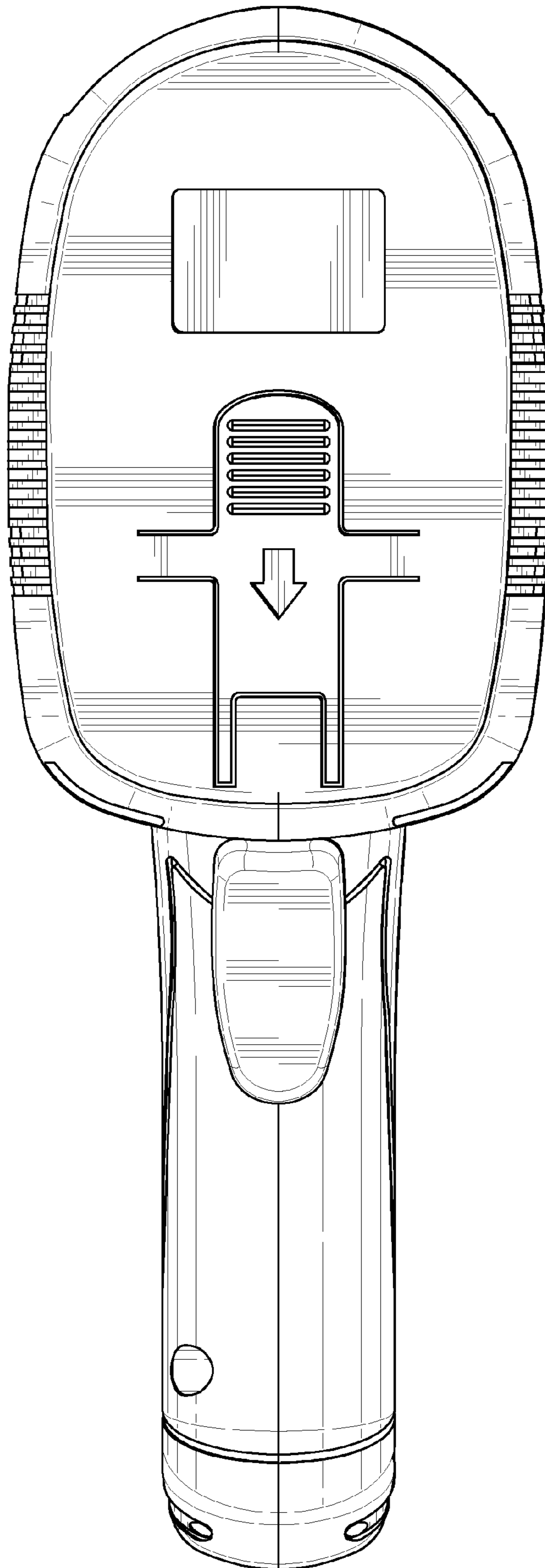


Fig. 7