



US00D602313S

(12) **United States Design Patent**
Busse et al.

(10) **Patent No.:** **US D602,313 S**

(45) **Date of Patent:** **** Oct. 20, 2009**

(54) **SPATULA**

D302,776 S * 8/1989 Hiscott et al. D7/692
D343,100 S * 1/1994 Jenkinson et al. D7/688

(76) Inventors: **Isabelle Busse**, c/o Gaiam Americas, Inc., 350 Madison Ave., 17th floor, New York, NY (US) 10017; **Paul Fluhr**, c/o Gaiam Americas, Inc., 350 Madison Ave., 17th floor, New York, NY (US) 10017

* cited by examiner

Primary Examiner—Charles A Rademaker
Assistant Examiner—Dana L Sipos
(74) *Attorney, Agent, or Firm*—Patrick F. Bright

(**) **Term:** **14 Years**

(57) **CLAIM**

(21) **Appl. No.:** **29/315,191**

The ornamental design for a spatula, as shown.

(22) **Filed:** **Jun. 2, 2009**

DESCRIPTION

(51) **LOC (9) Cl.** **07-02**

FIG. 1 is a top, front, left side perspective view of a spatula showing my new design;

(52) **U.S. Cl.** **D7/688**

FIG. 2 is a front elevation view thereof;

(58) **Field of Classification Search** D7/368,

FIG. 3 is a rear elevation view thereof;

D7/669, 682, 688, 395; 294/1.1, 7, 8

FIG. 4 is a right side elevation view thereof;

See application file for complete search history.

FIG. 5 is a top plan view thereof;

(56) **References Cited**

FIG. 6 is a left side elevation view thereof; and,

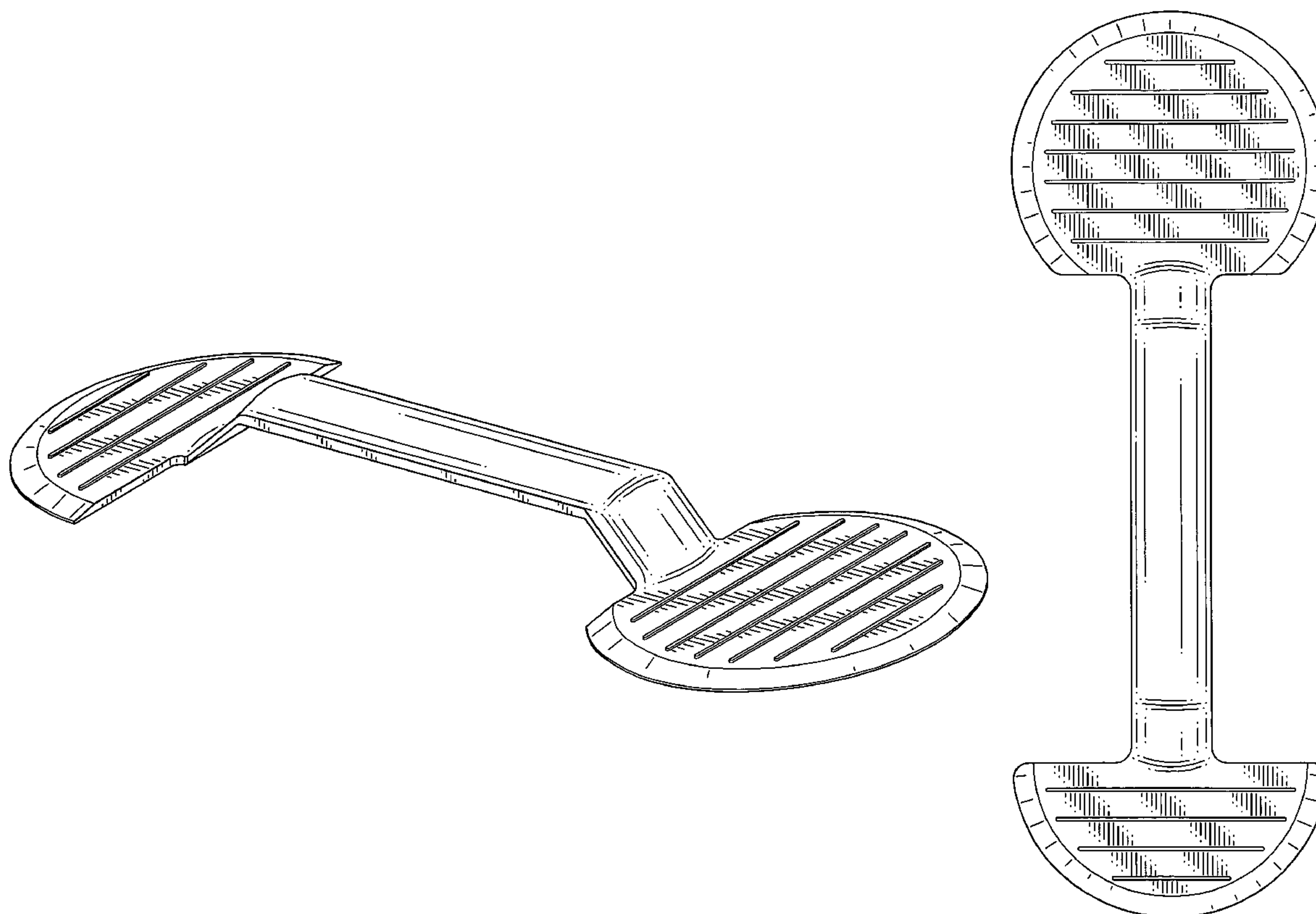
FIG. 7 is a bottom plan view thereof.

U.S. PATENT DOCUMENTS

D29,621 S * 11/1898 Pitts D7/688

D48,937 S * 4/1916 Huthmaker et al. D7/641

1 Claim, 3 Drawing Sheets



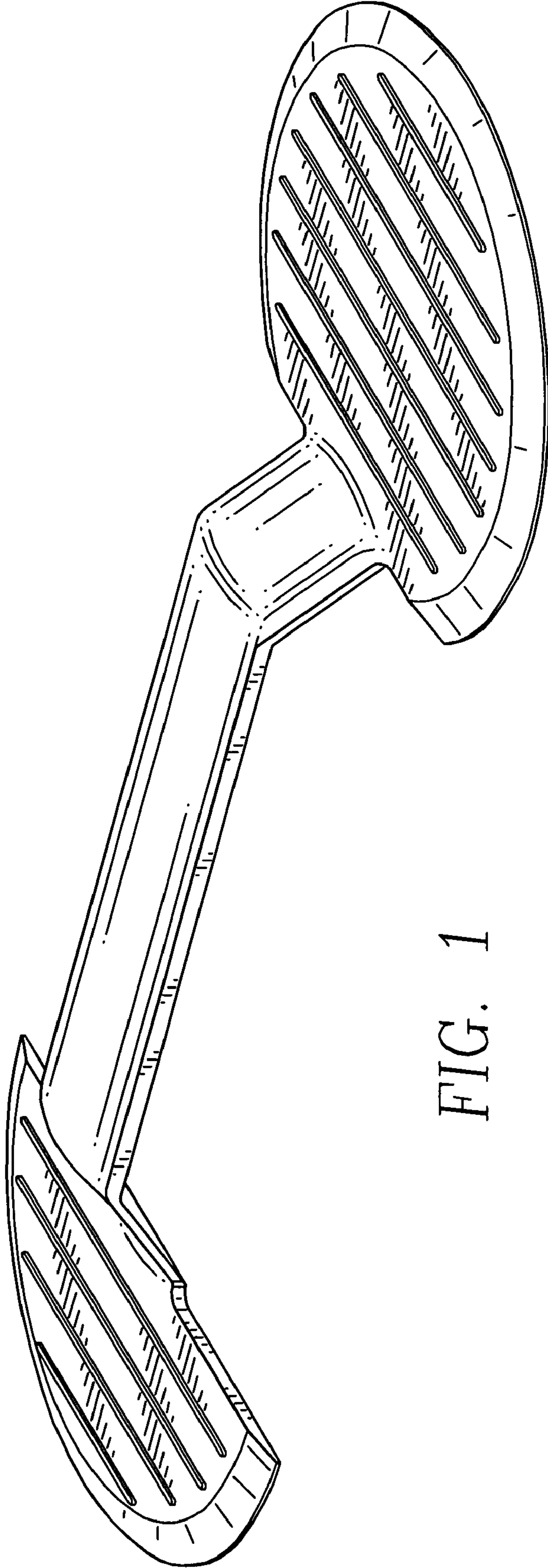


FIG. 1



FIG. 2

FIG. 3



FIG. 4

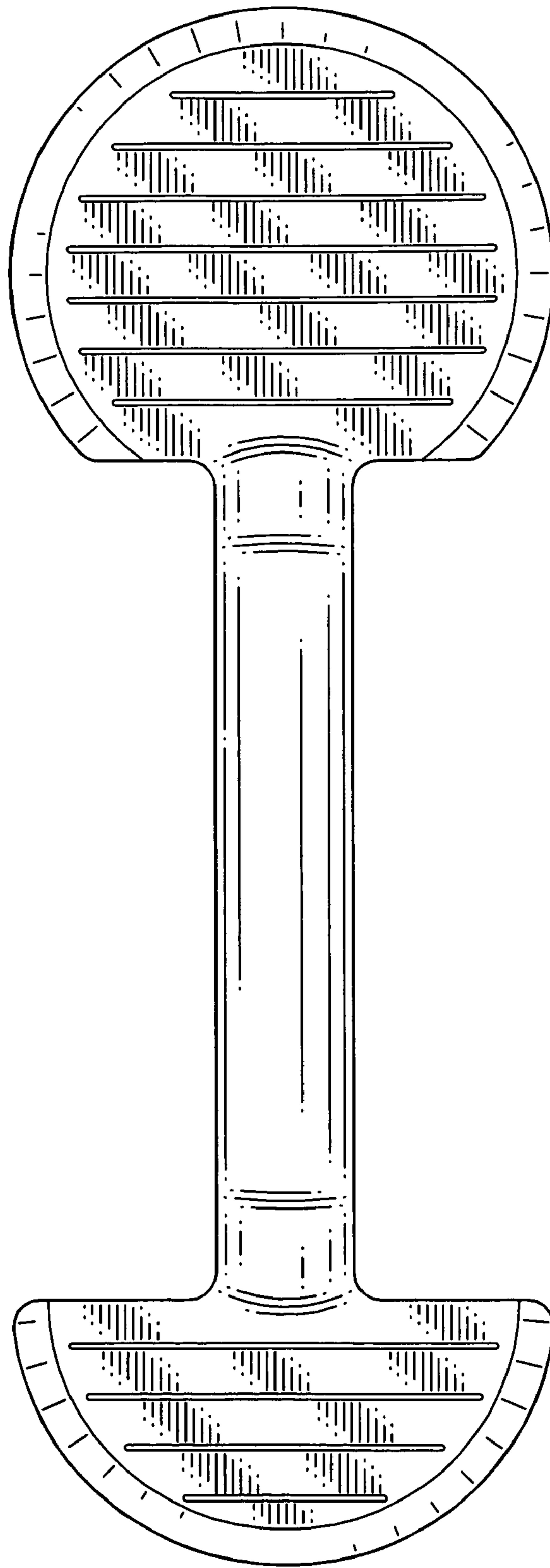


FIG. 5

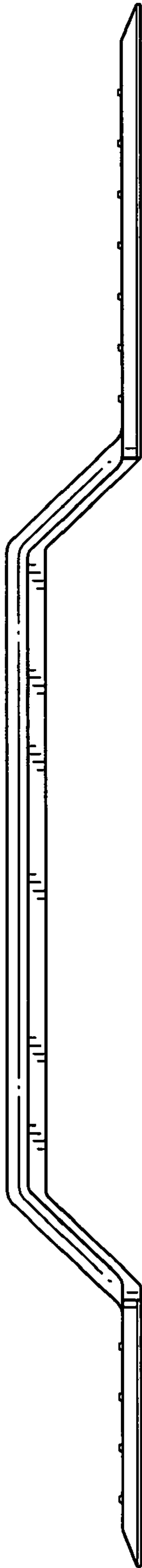


FIG. 6

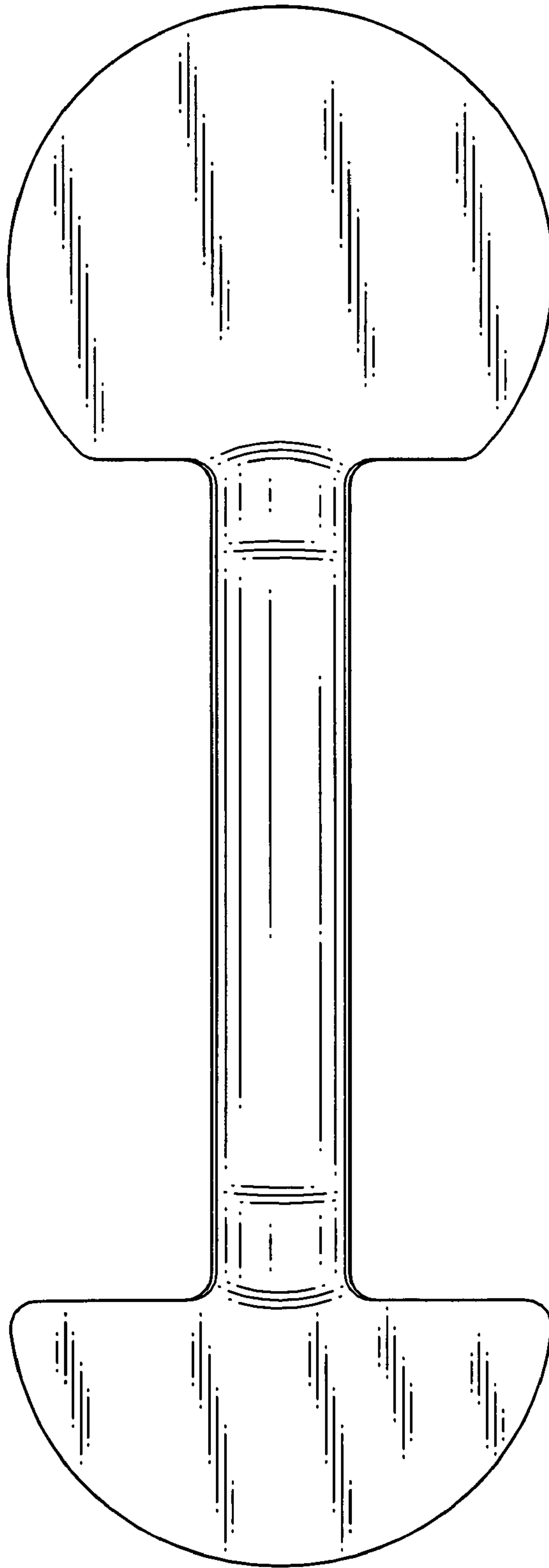


FIG. 7