



US00D602311S

(12) **United States Design Patent**  
**Finell**

(10) **Patent No.:** **US D602,311 S**

(45) **Date of Patent:** **\*\* Oct. 20, 2009**

(54) **CONTAINER**

D592,064 S \* 5/2009 Kilany ..... D9/519

(76) Inventor: **Rebecca M. Finell**, 1152 E. Cottonwood  
La., Tempe, AZ (US) 85048

\* cited by examiner

*Primary Examiner*—Terry A Wallace

(74) *Attorney, Agent, or Firm*—Parsons & Goltry; Michael W.  
Goltry; Robert A. Parsons

(\*\*) Term: **14 Years**

(21) Appl. No.: **29/318,813**

(57) **CLAIM**

(22) Filed: **May 28, 2008**

The ornamental design for a container, as shown and  
described.

(51) **LOC (9) Cl.** ..... **07-07**

(52) **U.S. Cl.** ..... **D7/629**

(58) **Field of Classification Search** ..... D7/601,  
D7/602, 629, 538–542; D9/424–432, 600,  
D9/668, 549; D3/201, 203.1, 202, 254, 258,  
D3/257, 270, 271.1, 271.9

**DESCRIPTION**

See application file for complete search history.

FIG. 1 is a top perspective view of a container showing my  
new design;

FIG. 2 is a bottom perspective view thereof;

FIG. 3 is right side elevational view thereof, the opposing left  
side elevational view being a mirror image thereof;

FIG. 4 is a front elevational view thereof;

FIG. 5 is a rear elevational view thereof;

FIG. 6 is a top plan view thereof; and,

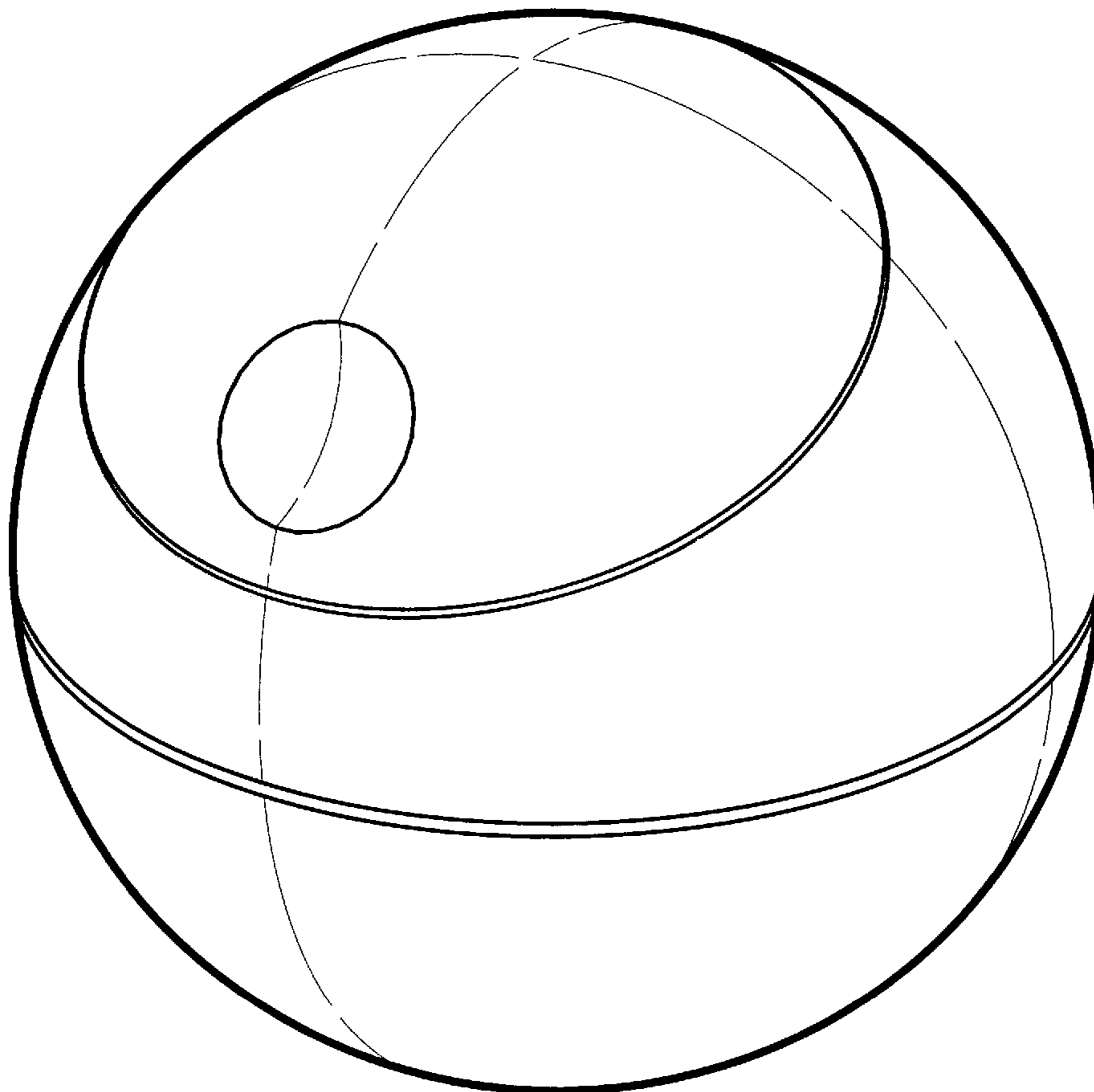
FIG. 7 is a bottom plan view thereof.

(56) **References Cited**

**U.S. PATENT DOCUMENTS**

2,981,431	A *	4/1961	Schluttig	.....	215/329
D254,716	S *	4/1980	Mascia et al.	.....	D9/776
D324,106	S *	2/1992	Greenblatt	.....	D24/200
D465,733	S *	11/2002	Hill	.....	D9/519
D475,288	S *	6/2003	Hoffmann et al.	.....	D9/426
D528,257	S *	9/2006	Leclerc et al.	.....	D34/1

**1 Claim, 7 Drawing Sheets**



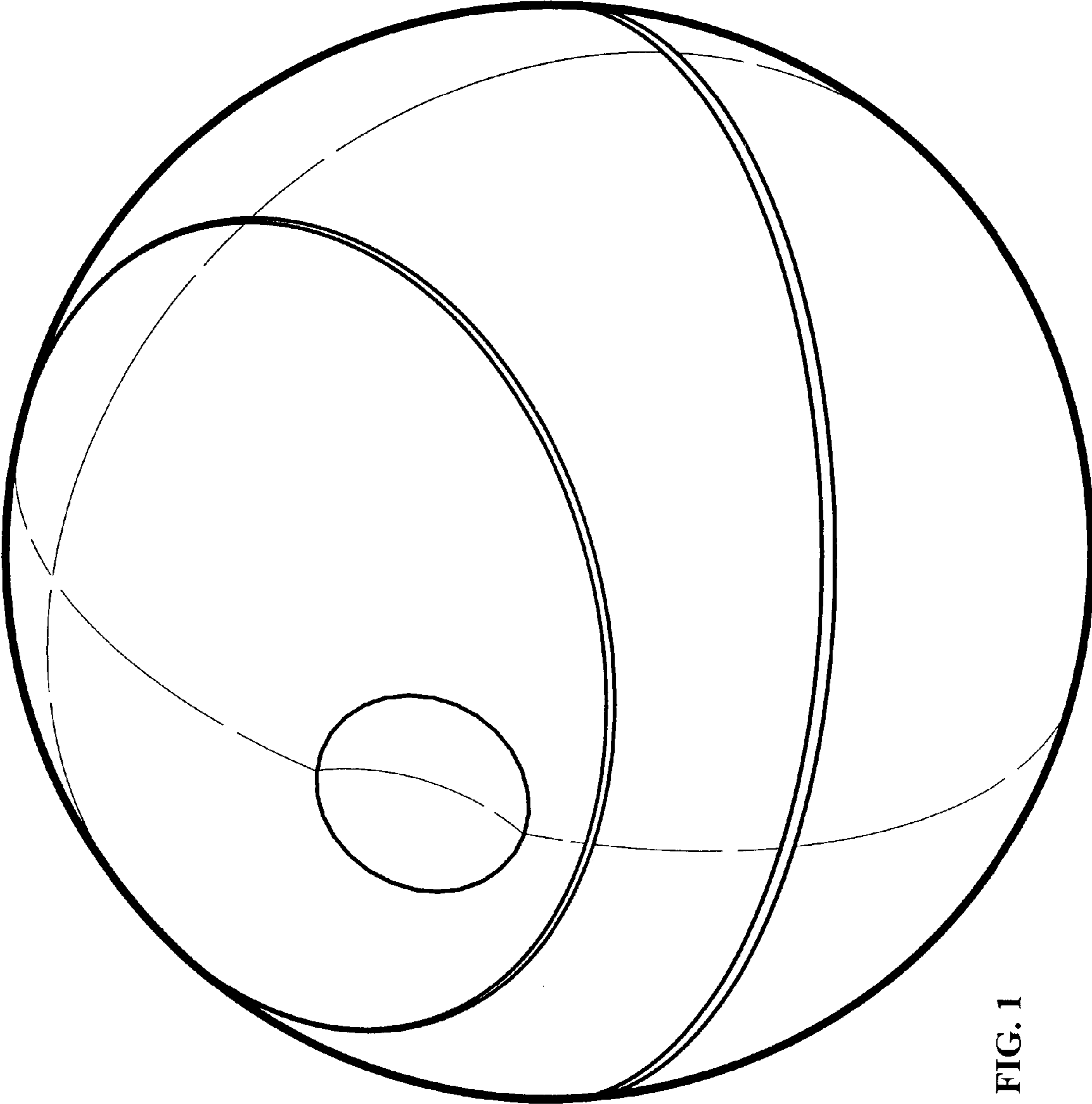


FIG. 1

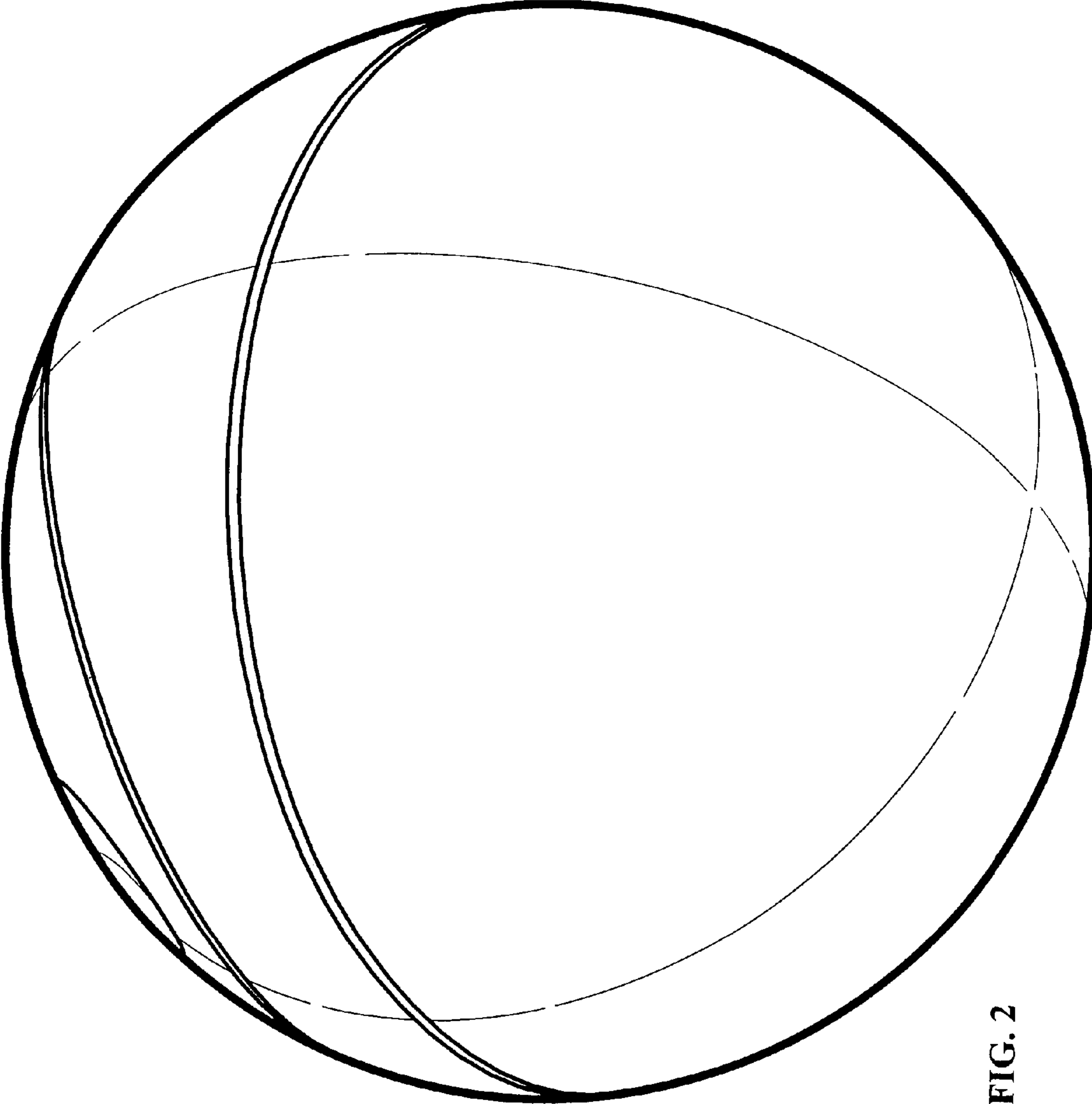


FIG. 2

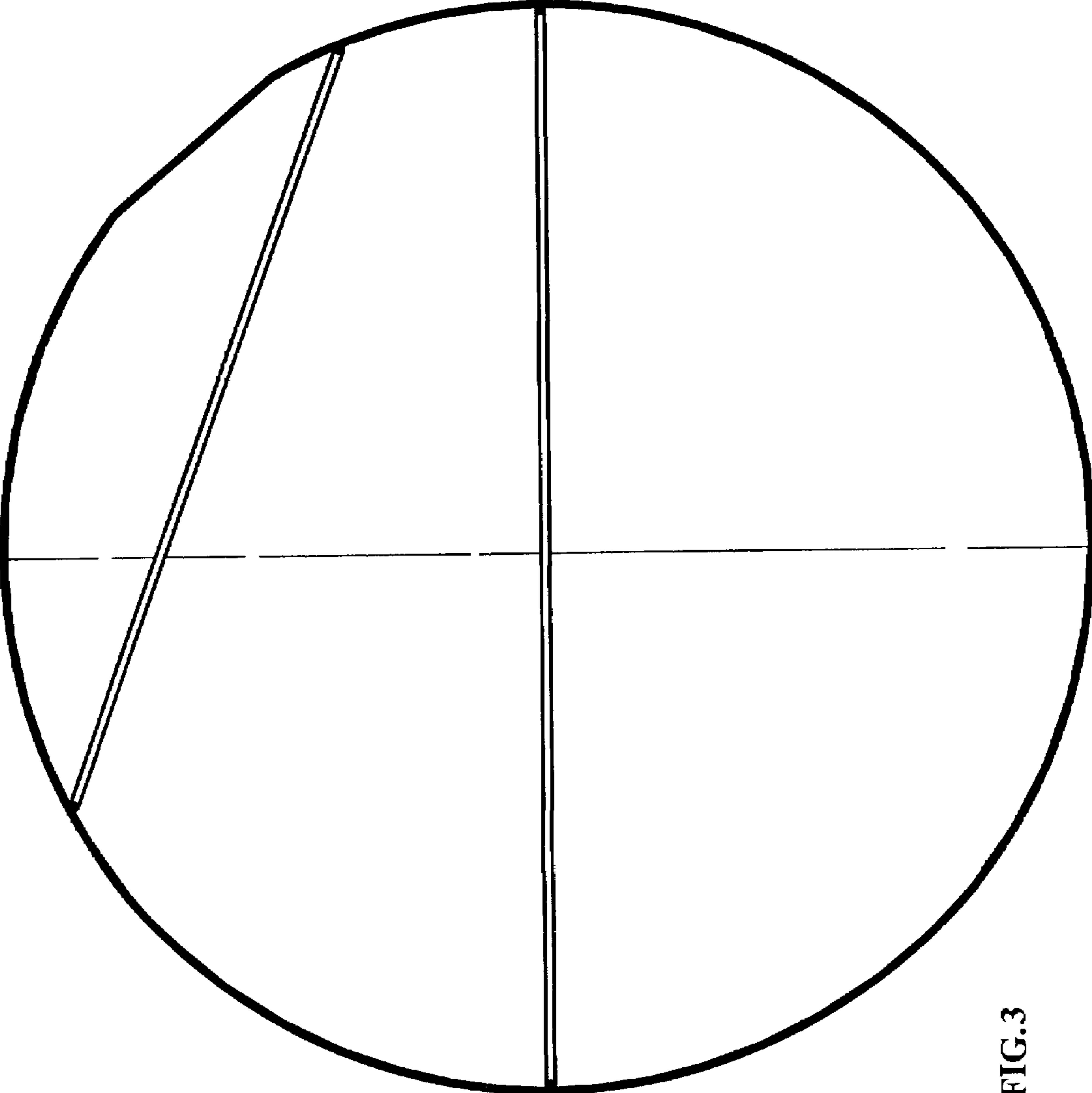


FIG.3

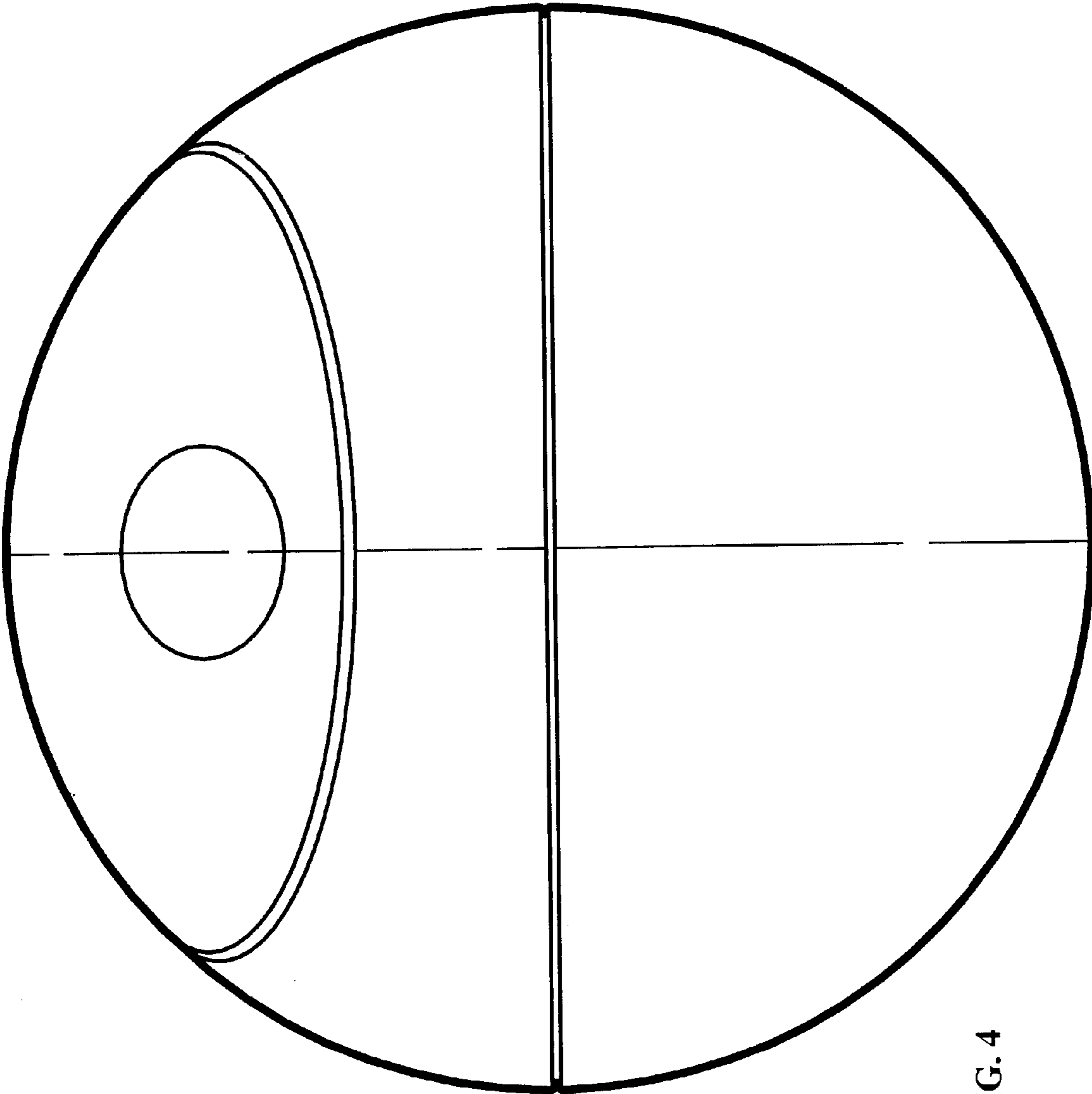


FIG. 4

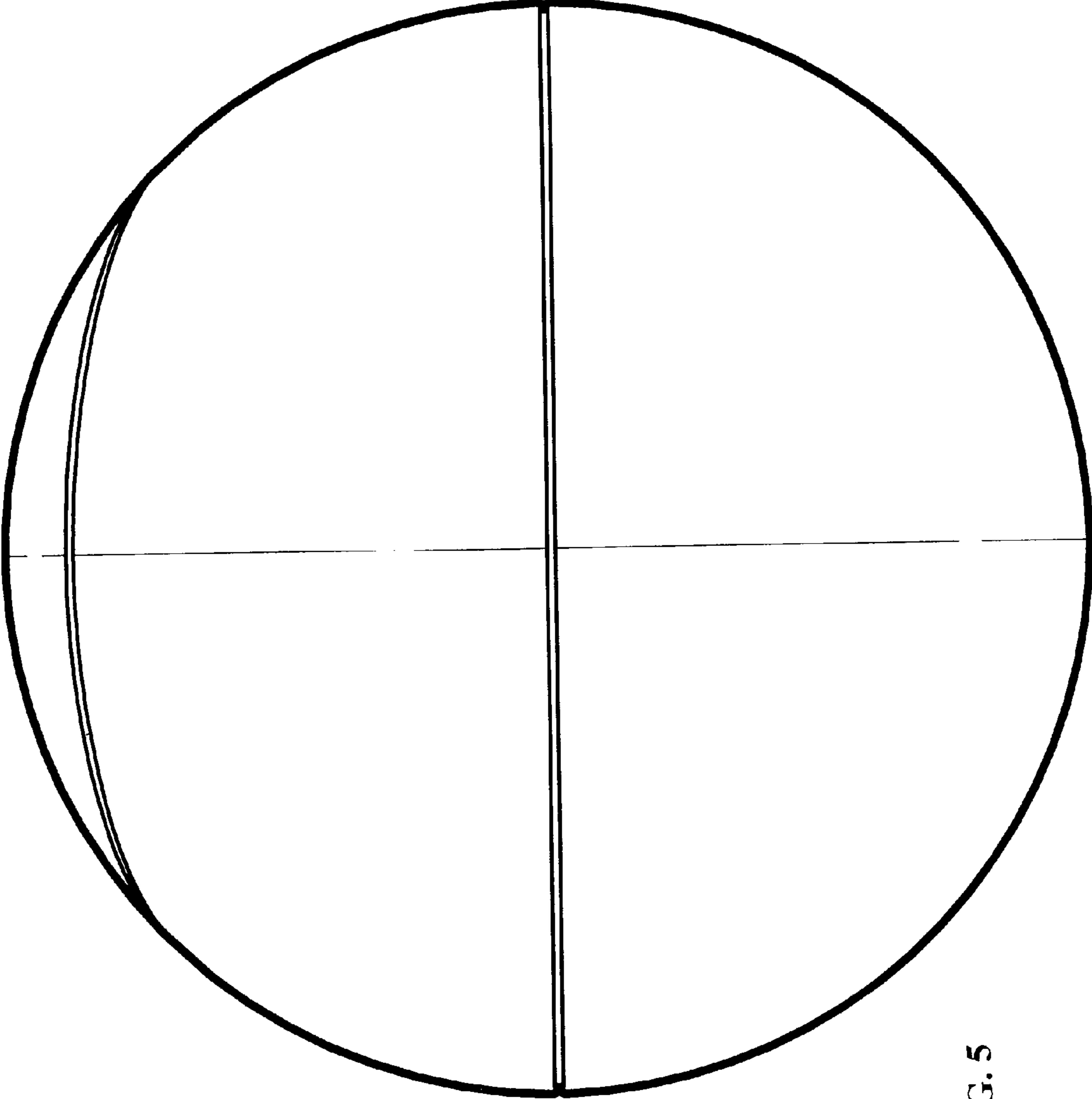


FIG. 5

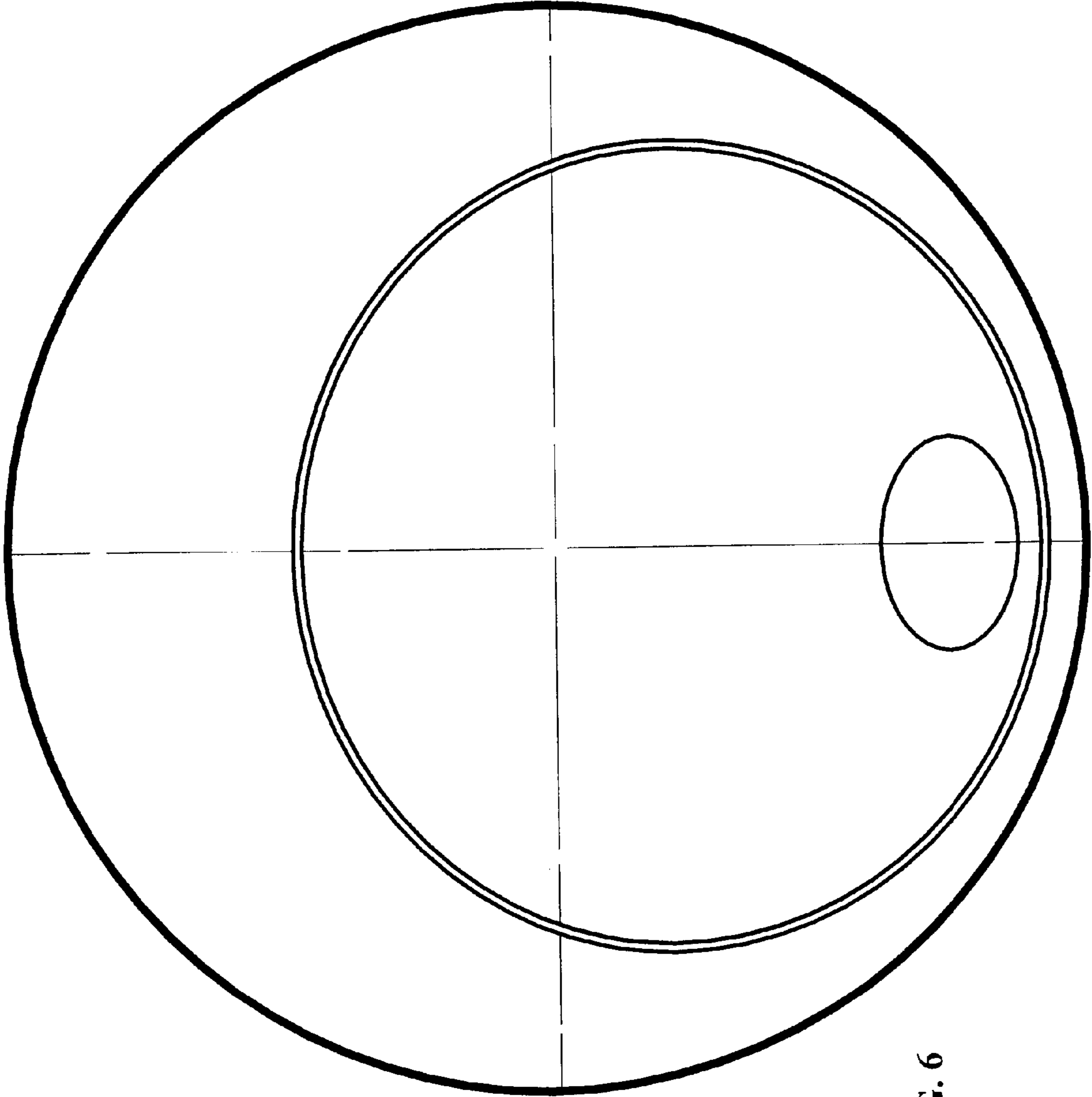


FIG. 6

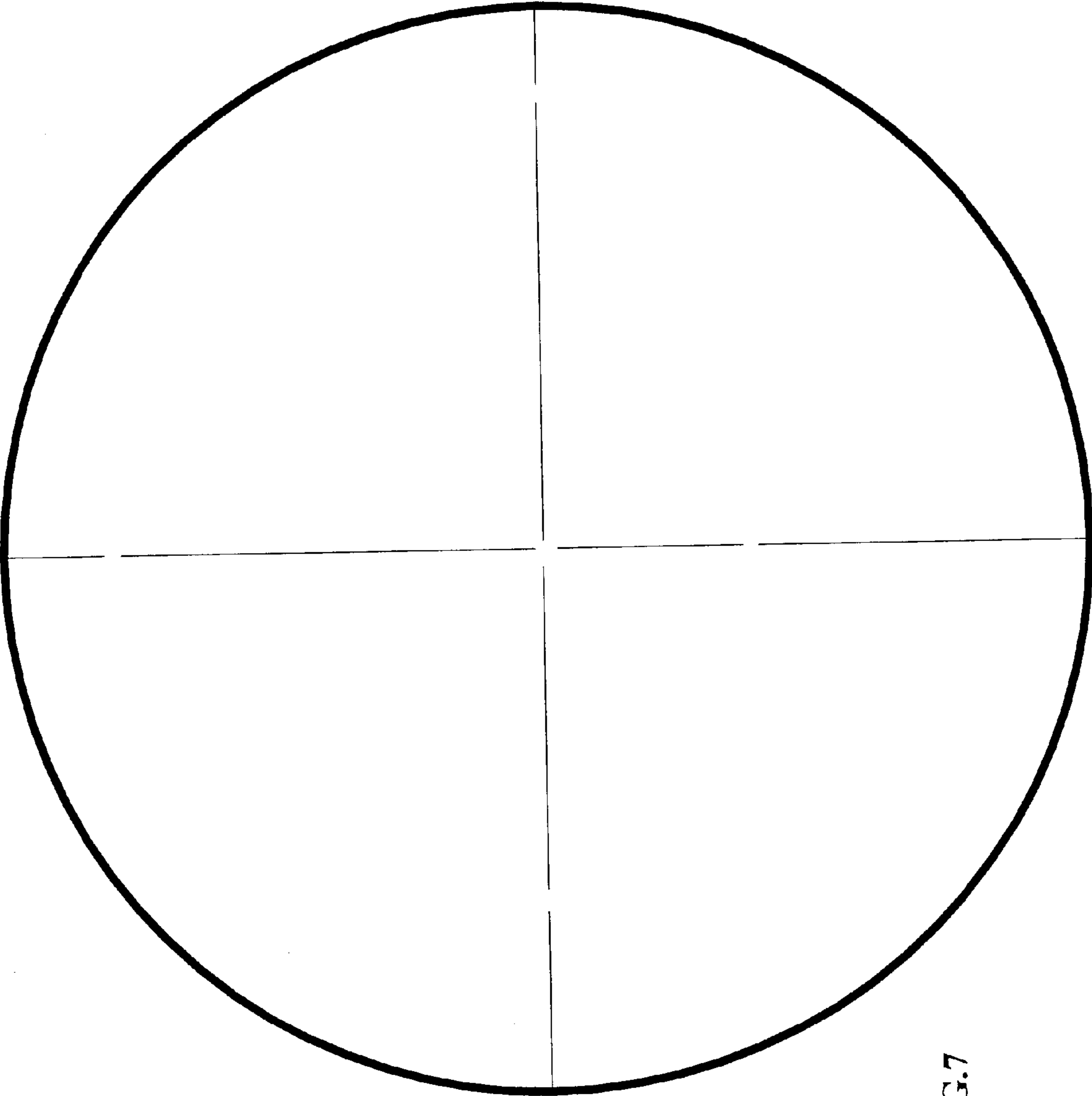


FIG.7