



US00D602309S

(12) **United States Design Patent**
Pourounidis et al.

(10) **Patent No.:** **US D602,309 S**
(45) **Date of Patent:** **** Oct. 20, 2009**

(54) **DOUBLE WALL COCKTAIL GLASS**

(76) Inventors: **Harry Pourounidis**, C/-Bambis, 1-9
Moreland Road East Coburg, Victoria
(AU) 3058; **Curtis Stone**, C/-Bambis,
1-9 Moreland Road East Cpburg,
Victoria (AU) 3058

(**) Term: **14 Years**

(21) Appl. No.: **29/298,264**

(22) Filed: **Nov. 30, 2007**

(30) **Foreign Application Priority Data**

Jun. 1, 2007 (AU) 18251/2007

(51) **LOC (9) Cl.** **07-01**

(52) **U.S. Cl.** **D7/524**

(58) **Field of Classification Search** D7/524,
D7/523, 525, 509, 500, 528, 532, 602, 584,
D7/513, 537, 522, 535, 536, 533, 622, 619.1;
D26/11, 9; 215/703, 387, DIG. 7, 6, 374;
220/703, 592, 16, 592.17, 710.5, 507, 62.18,
220/DIG. 14, 23.83, 574.3; D9/716, 500,
D9/549, 558; D34/1; 62/457.3, 530, 56;
206/519; 229/403, 400; 248/145.3

See application file for complete search history.

(56) **References Cited**

U.S. PATENT DOCUMENTS

1,762,977 A * 6/1930 Green 220/574.3
2,120,862 A * 6/1938 Heller 215/377
2,143,027 A * 1/1939 Perry 215/374
D124,555 S * 1/1941 Platt D7/524
3,008,678 A * 11/1961 Roumeliotis 248/145.3

D370,155 S * 5/1996 Harrison et al. D7/524
D407,947 S * 4/1999 Barth D7/552
D449,962 S * 11/2001 Harrison et al. D7/528
D459,633 S * 7/2002 Kerman D7/525
D512,271 S * 12/2005 Festa D7/537
D514,888 S * 2/2006 Rocha D7/558
D515,359 S * 2/2006 Andrews D7/524
D526,848 S * 8/2006 Bodum D7/523
D527,223 S * 8/2006 Thun D7/524
D531,453 S * 11/2006 McMullin D7/525
D543,785 S * 6/2007 Huff D7/523
D547,128 S * 7/2007 Gibb D7/558
D553,439 S * 10/2007 Bodum D7/523
D560,098 S * 1/2008 Barducci D7/523
D563,172 S * 3/2008 Bodum D7/523
D563,724 S * 3/2008 Bodum D7/524
D565,904 S * 4/2008 Bodum D7/524

* cited by examiner

Primary Examiner—Robert M Spear

Assistant Examiner—Cynthia Underwood

(74) *Attorney, Agent, or Firm*—Fulwider Patton LLP

(57) **CLAIM**

The ornamental design for a double wall cocktail glass, as shown.

DESCRIPTION

FIG. 1 is a top plan view of the double wall cocktail glass showing our new design.

FIG. 2 is a side sectional view taken along line 2—2 of FIG. 1.

FIG. 3 is a bottom view thereof; and,

FIG. 4 is a side elevational view thereof.

1 Claim, 2 Drawing Sheets

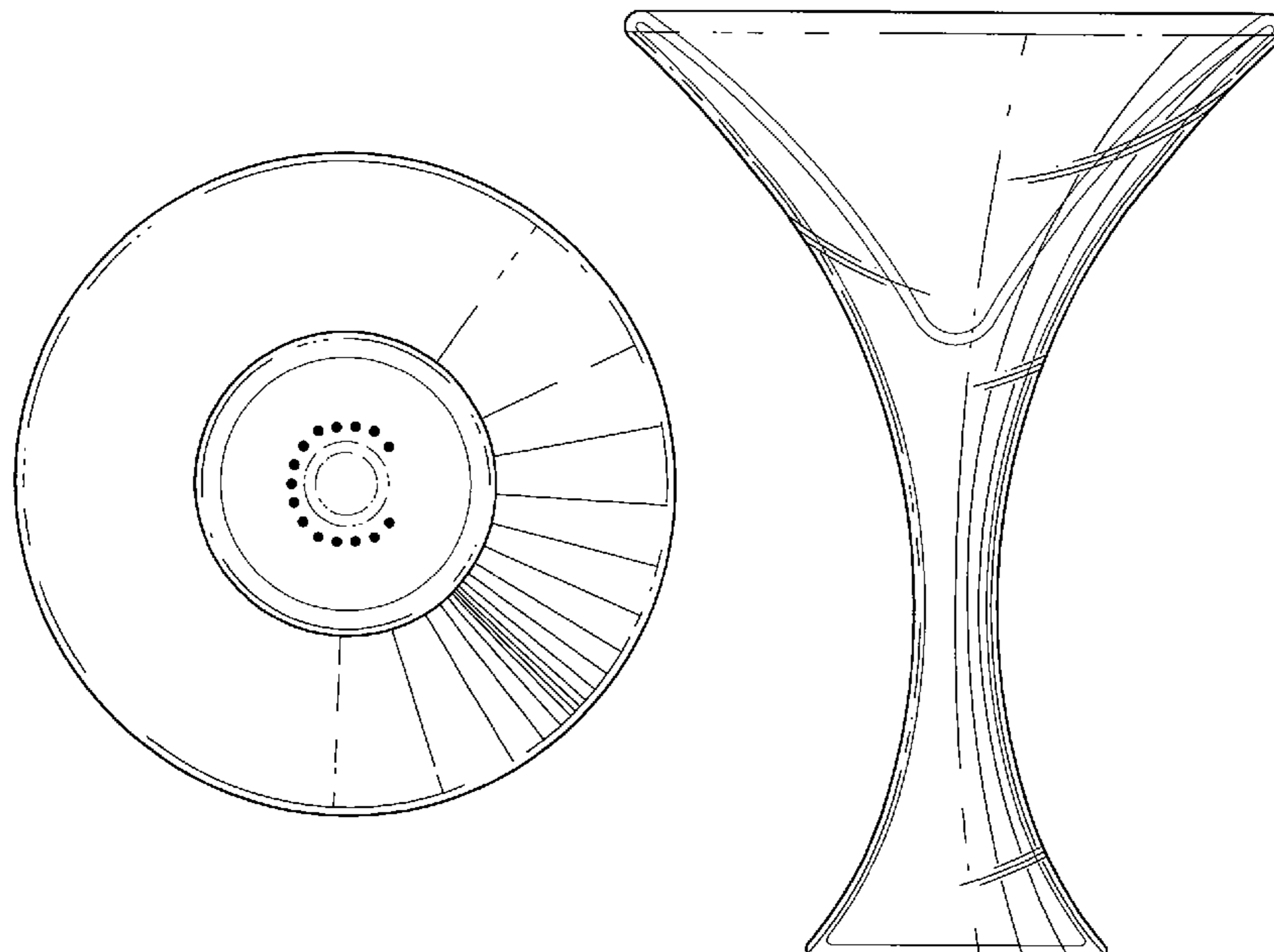


FIG. 1

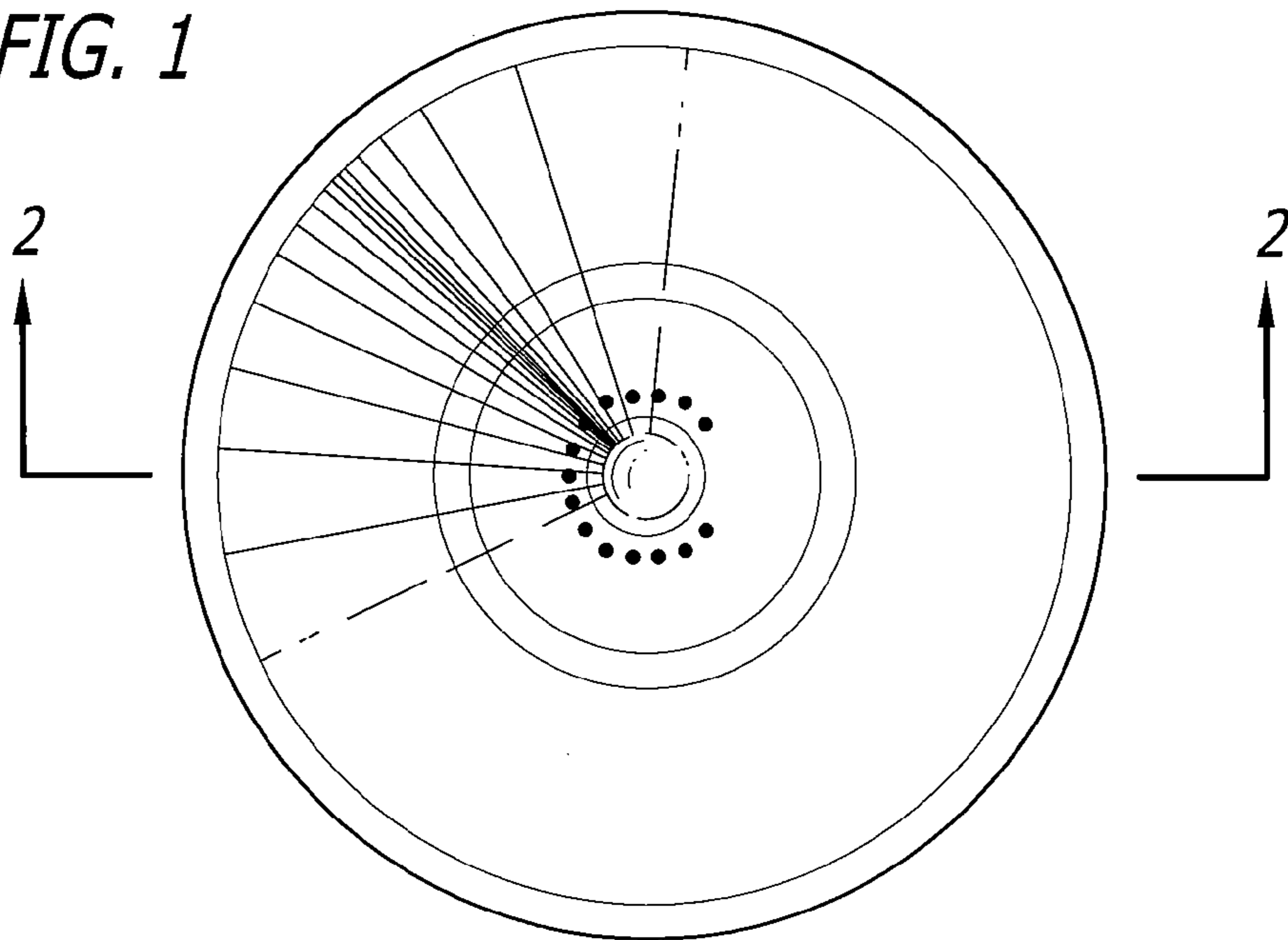


FIG. 2

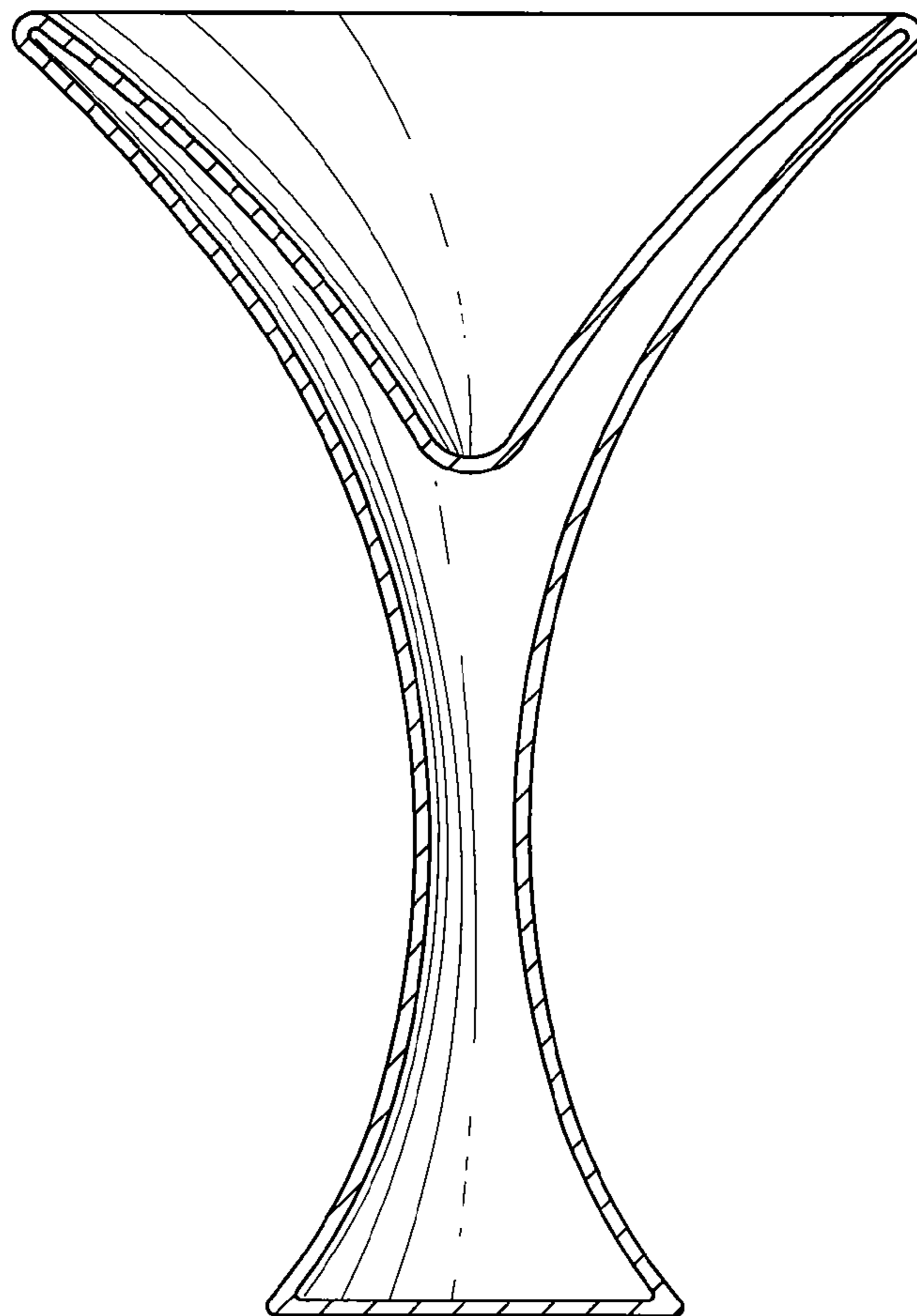


FIG. 3

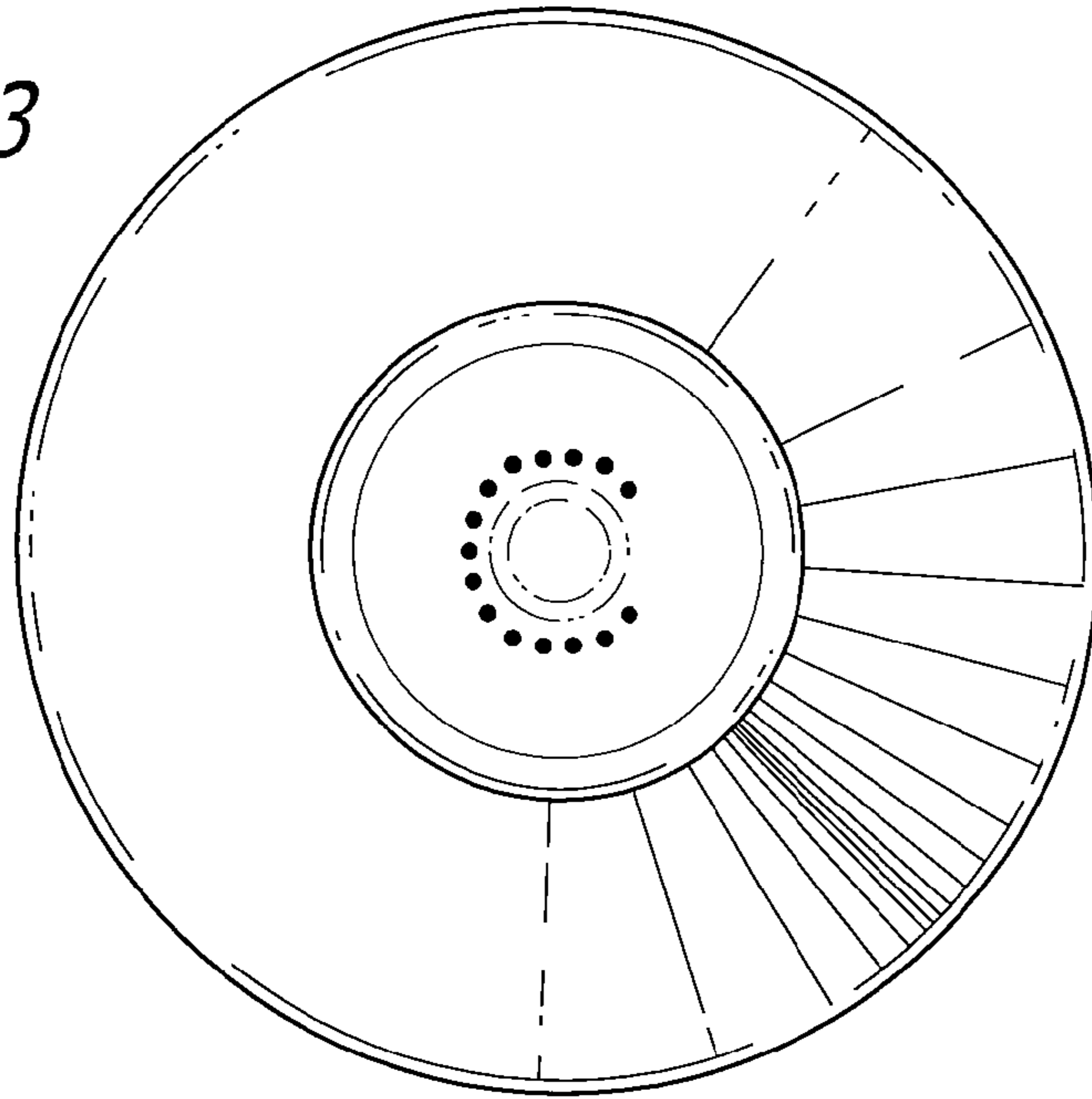


FIG. 4

