

US00D602307S

(12) **United States Design Patent**  
**Fort et al.**

(10) **Patent No.:** **US D602,307 S**  
(45) **Date of Patent:** **\*\* Oct. 20, 2009**

(54) **HANDLE FOR KITCHEN UTENSIL FOR COOKING**

(75) Inventors: **Tucker Fort**, New York, NY (US);  
**Davin Stowell**, New York, NY (US)

(73) Assignee: **Tefal**, Rumilly (FR)

(\*\*) Term: **14 Years**

(21) Appl. No.: **29/318,288**

(22) Filed: **May 16, 2008**

(30) **Foreign Application Priority Data**

Nov. 16, 2007 (FR) ..... 07 5194

(51) **LOC (9) Cl.** ..... **07-02**

(52) **U.S. Cl.** ..... **D7/395**

(58) **Field of Classification Search** ..... D7/354-361,  
D7/391, 393-395; D8/107, 300, 301, 315,  
D8/316, 317, 319, 320; 16/430, 431, 110.1,  
16/407, 441, 443; 220/573.1-573.5, 752,  
220/753, 755, 756, 912; D3/318

See application file for complete search history.

(56) **References Cited**

**U.S. PATENT DOCUMENTS**

- D407,600 S \* 4/1999 LoGiudice ..... D7/395
- D416,437 S \* 11/1999 Cheng ..... D7/391
- D426,107 S \* 6/2000 Cheng ..... D7/393
- D439,108 S \* 3/2001 LoGiudice ..... D7/395

- D444,347 S \* 7/2001 LoGiudice ..... D7/395
- D450,217 S \* 11/2001 Rae ..... D7/393
- D468,583 S \* 1/2003 Kerulis ..... D7/395
- D482,567 S \* 11/2003 Demers ..... D7/395
- D494,412 S \* 8/2004 Prakasa ..... D7/395
- D503,585 S \* 4/2005 Tetreault et al. .... D7/395
- D518,352 S \* 4/2006 Brasset ..... D8/300
- D557,065 S \* 12/2007 Levy et al. .... D7/393

\* cited by examiner

*Primary Examiner*—Holly H Baynham

*Assistant Examiner*—Cynthia M Chin

(74) *Attorney, Agent, or Firm*—Young & Thompson

(57) **CLAIM**

The ornamental design for a handle for kitchen utensil for cooking, as shown and described.

**DESCRIPTION**

FIG. 1 is a top perspective view of a handle for kitchen utensil for cooking, showing my new design;

FIG. 2 is a bottom perspective view thereof;

FIG. 3 is a front elevational view thereof on an enlarged scale;

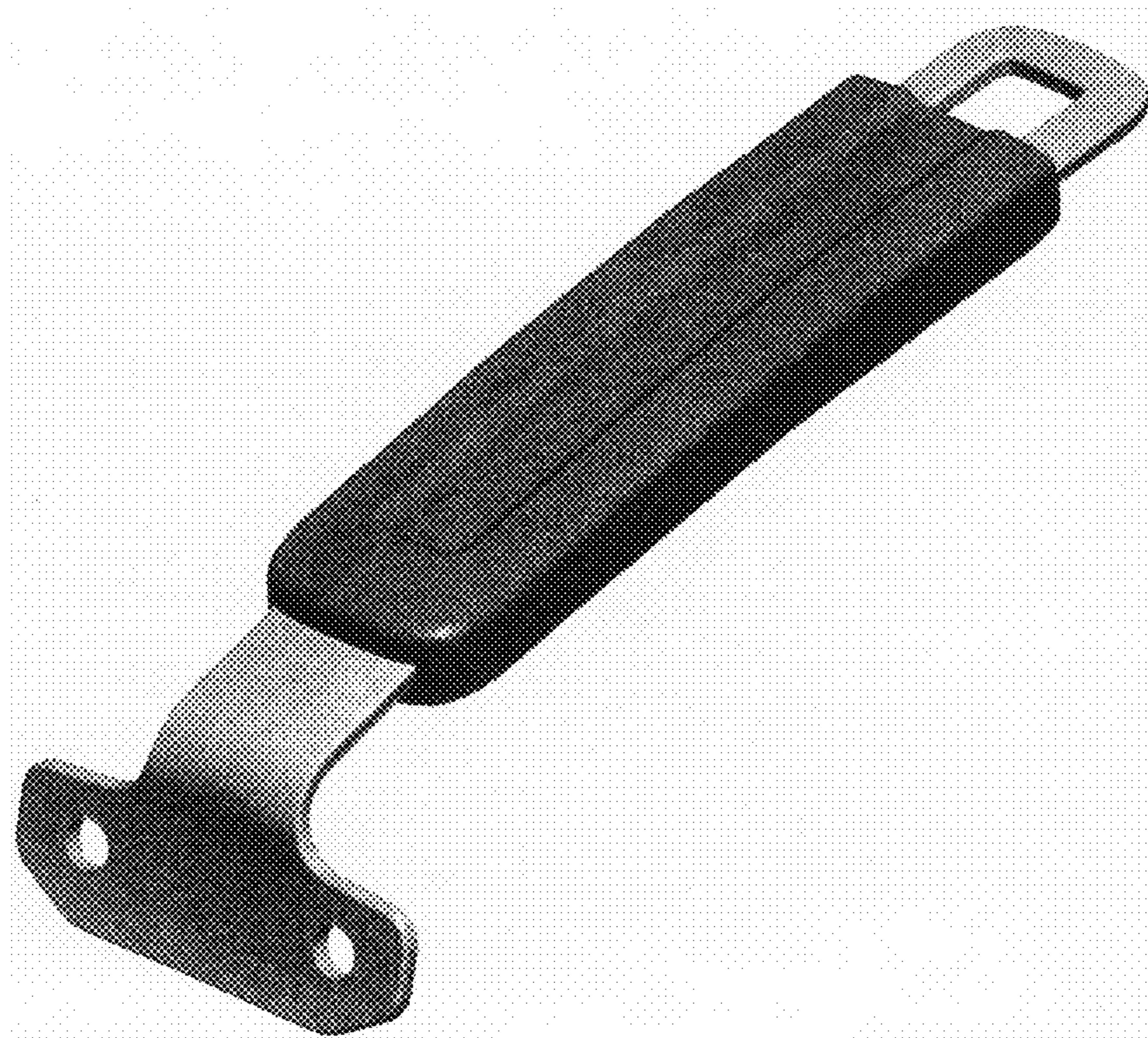
FIG. 4 is a side elevational view thereof from the left of FIG. 3, the opposite side elevational view being the mirror image thereof;

FIG. 5 is a rear elevational view thereof on an enlarged scale;

FIG. 6 is a top plan view thereof; and,

FIG. 7 is a bottom plan view thereof.

**1 Claim, 7 Drawing Sheets**



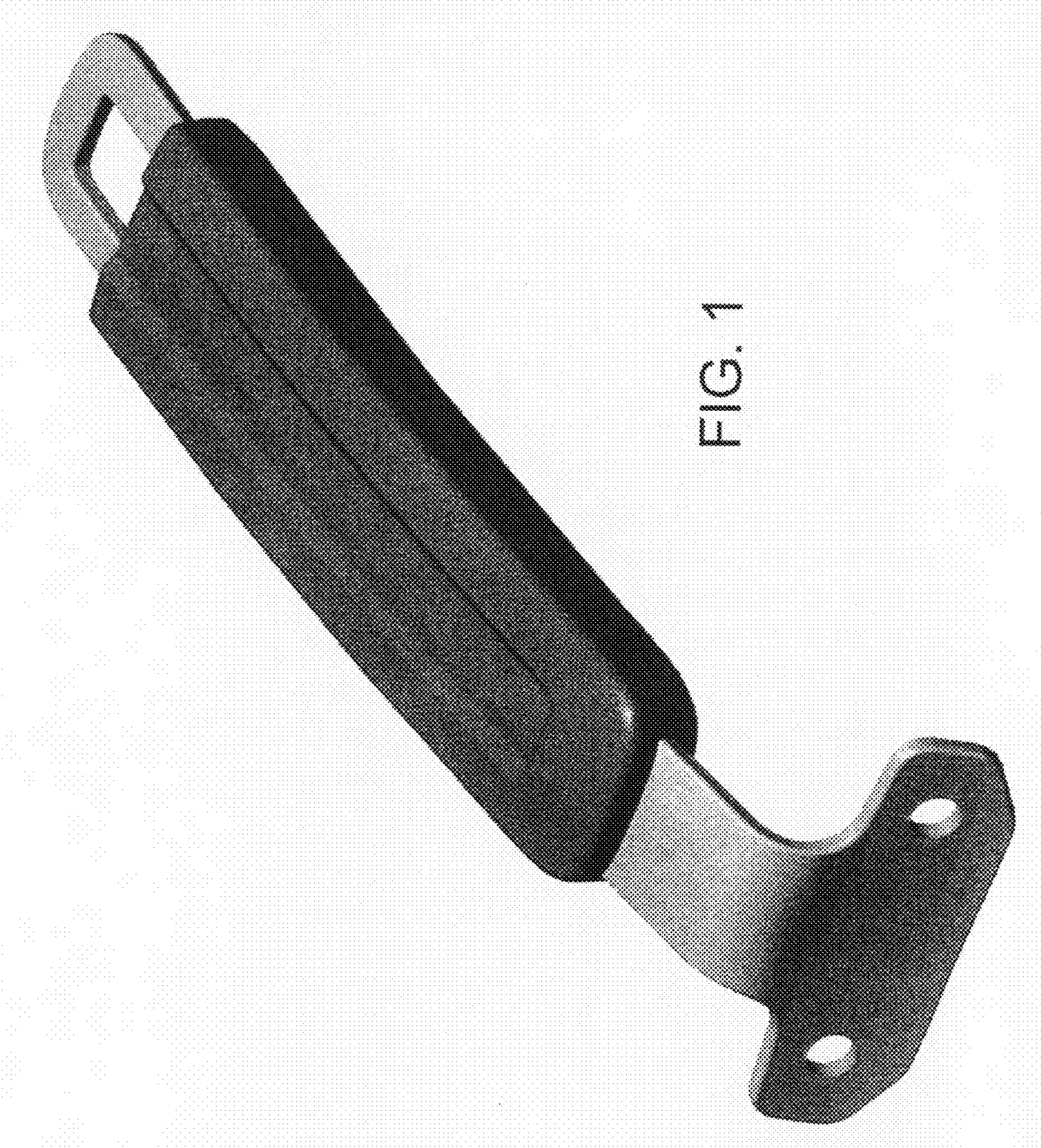


FIG. 1

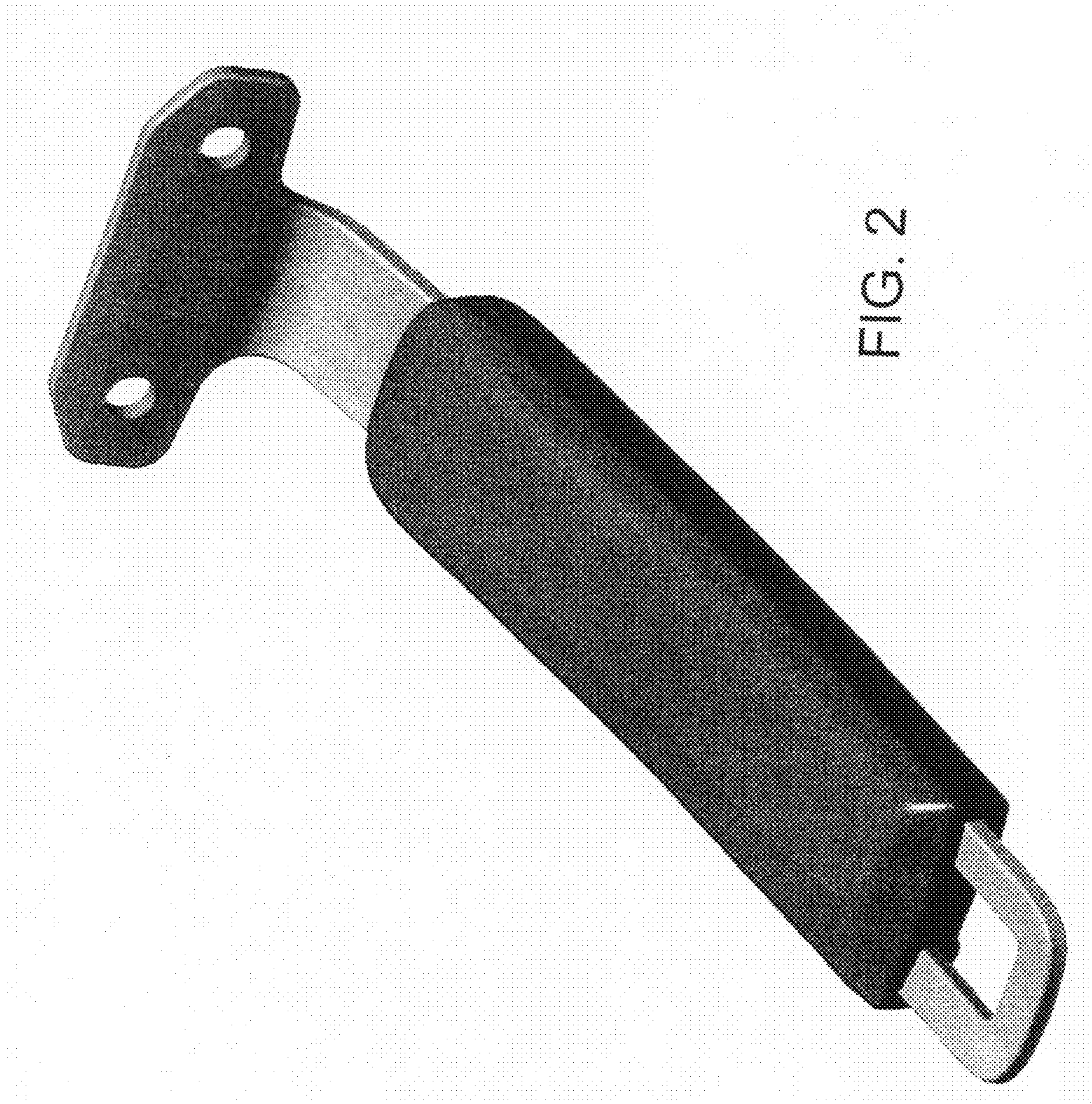


FIG. 2

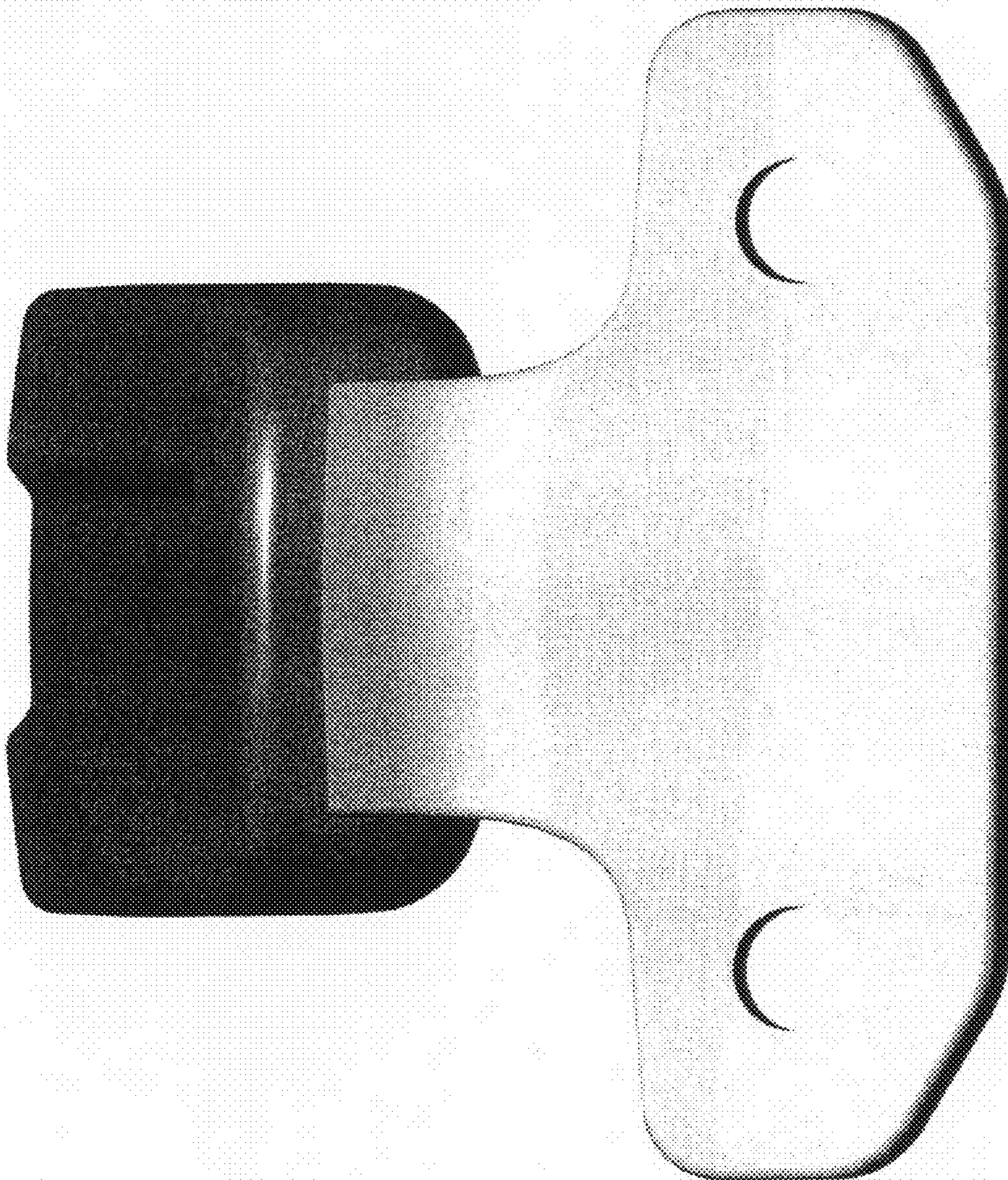


FIG. 3

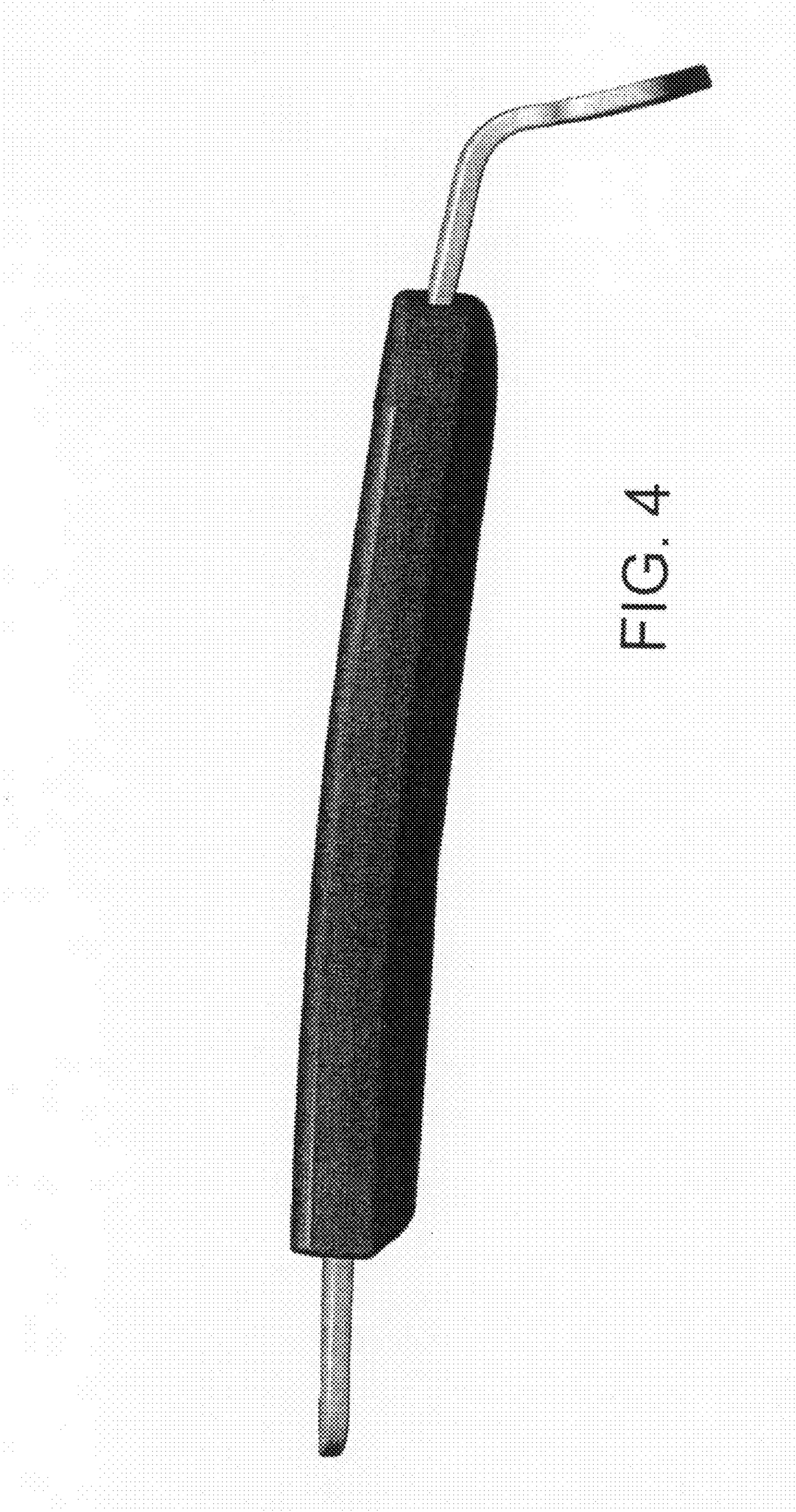


FIG. 4

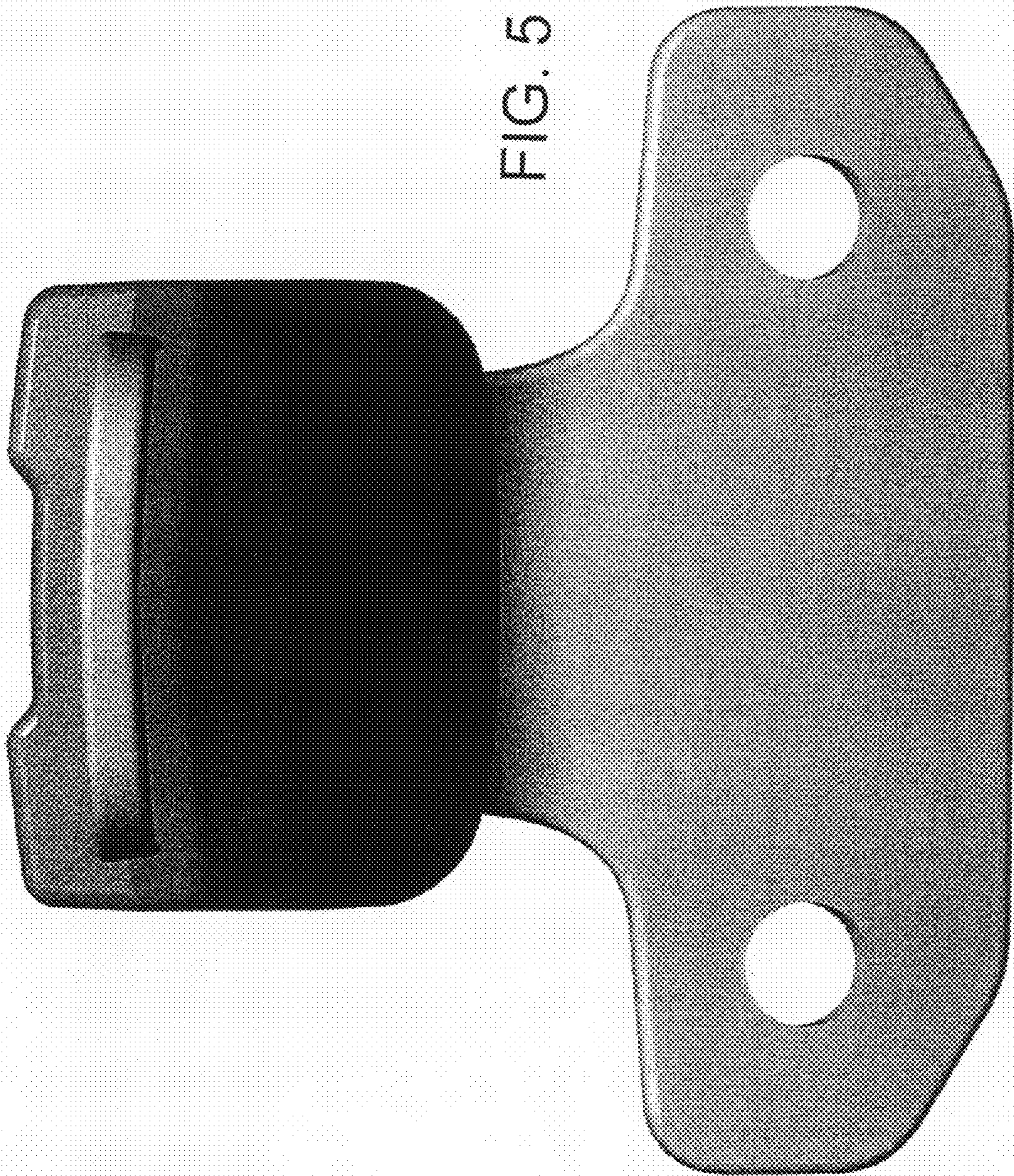


FIG. 5

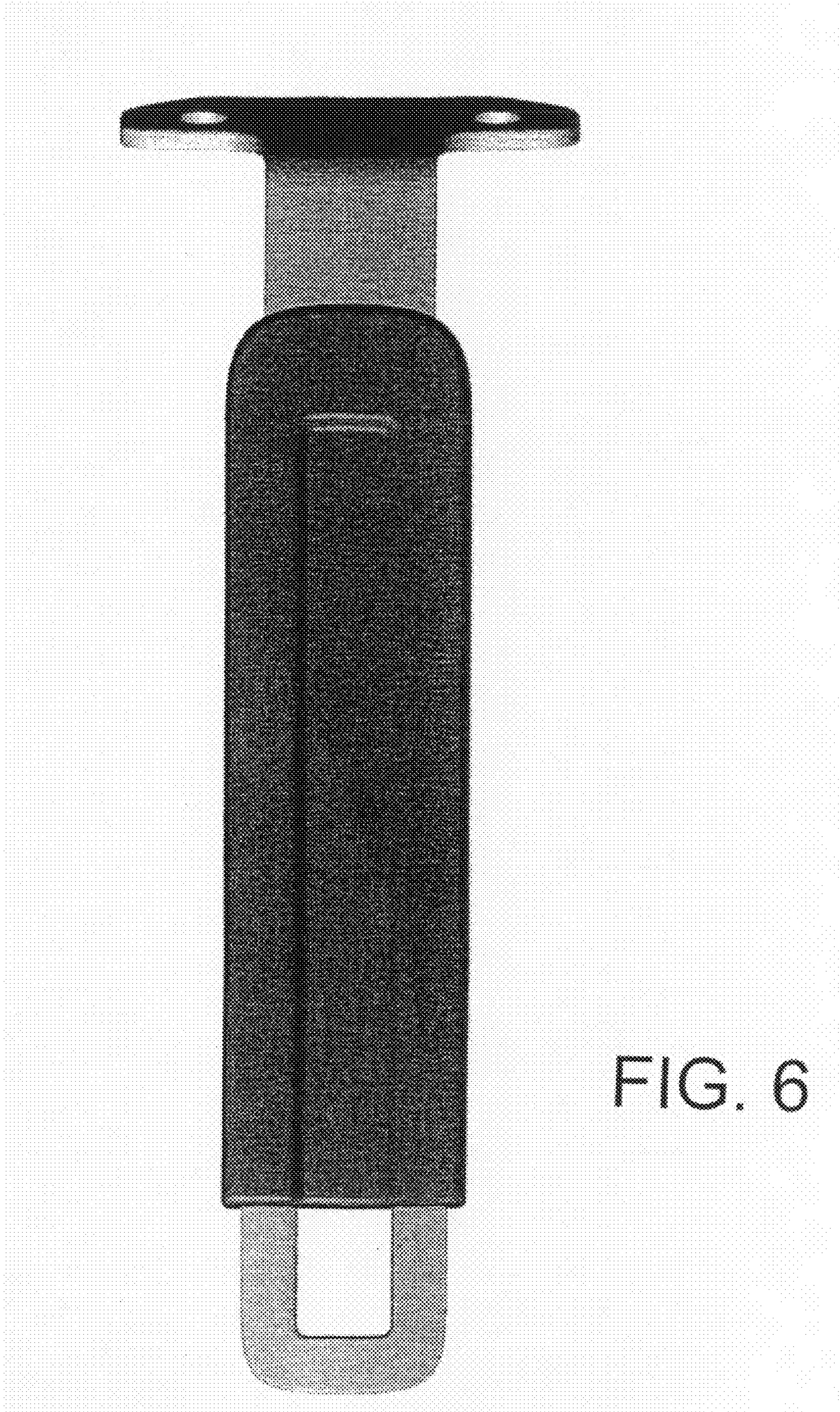


FIG. 6

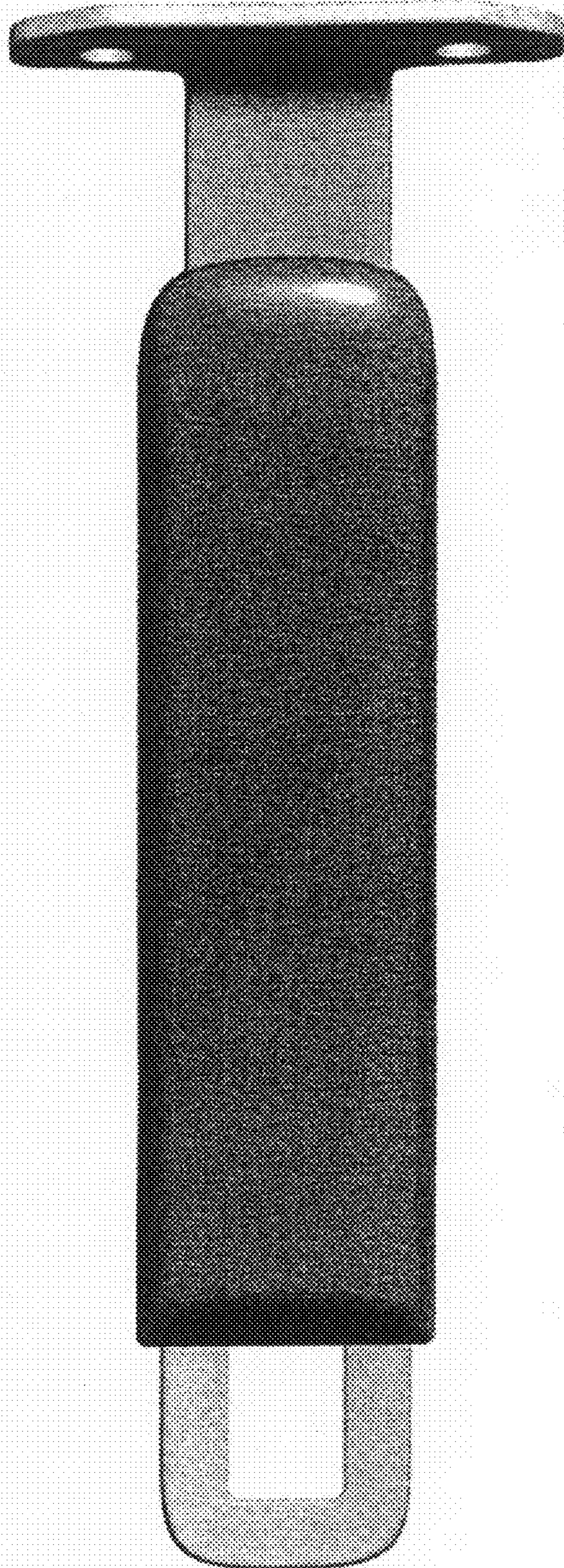


FIG. 7