



US00D602306S

(12) **United States Design Patent**  
**Lavy**

(10) **Patent No.:** **US D602,306 S**

(45) **Date of Patent:** **\*\* \*Oct. 20, 2009**

(54) **TOASTER OVEN**

(76) **Inventor:** **Danny Lavy**, 775 Lexington Ave.,  
Westmont, Quebec (CA) H3Y 1K9

(\*) **Notice:** This patent is subject to a terminal disclaimer.

(\*\*) **Term:** **14 Years**

(21) **Appl. No.:** **29/325,035**

(22) **Filed:** **Sep. 25, 2008**

(51) **LOC (9) Cl.** ..... **07-02**

(52) **U.S. Cl.** ..... **D7/350.1**

(58) **Field of Classification Search** .... D7/350.1-350.4,  
D7/351, 402, 405; 126/19 M, 275 R, 275 E,  
126/756-758, 386, 387, 21 A; D15/81; 99/327-328,  
99/329 R, 331-332, 348, 357, 467, 448, 468,  
99/483, 339; 366/98, 146; 219/393

See application file for complete search history.

(56) **References Cited**

**U.S. PATENT DOCUMENTS**

D336,814 S *	6/1993	Brookshire	.....	D7/350.4
D380,643 S *	7/1997	Piret	.....	D7/350.4
D386,938 S *	12/1997	Piret	.....	D7/350.4
D412,637 S *	8/1999	Piret	.....	D7/350.4
D420,245 S *	2/2000	De'Longhi	.....	D7/350.4
D447,905 S *	9/2001	Smith-Berry et al.	.....	D7/350.4
D453,090 S *	1/2002	Chen	.....	D7/350.4

D461,091 S *	8/2002	Chen	.....	D7/350.4
D466,757 S *	12/2002	Hsu	.....	D7/350.1
D481,582 S *	11/2003	Seum et al.	.....	D7/350.1
D489,934 S *	5/2004	Sagawa et al.	.....	D7/351
D521,799 S *	5/2006	Ledingham et al.	.....	D7/350.1

\* cited by examiner

*Primary Examiner*—Ruth McInroy

(74) *Attorney, Agent, or Firm*—Cook Alex Ltd.

(57) **CLAIM**

The ornamental design for a toaster oven, as shown and described.

**DESCRIPTION**

FIG. 1 is a front perspective view of a toaster oven showing my new design;

FIG. 2 is a front elevational view of the toaster oven shown in FIG. 1;

FIG. 3 is a rear elevational view of the toaster oven shown in FIG. 1;

FIG. 4 is a right side elevational view of the toaster oven shown in FIG. 1, the left side being a mirror image of the right side; and,

FIG. 5 is a top plan view of the toaster oven shown in FIG. 1.

The broken lines shown in the Figures are used for illustrative purposes only and form no part of the claimed design.

**1 Claim, 3 Drawing Sheets**

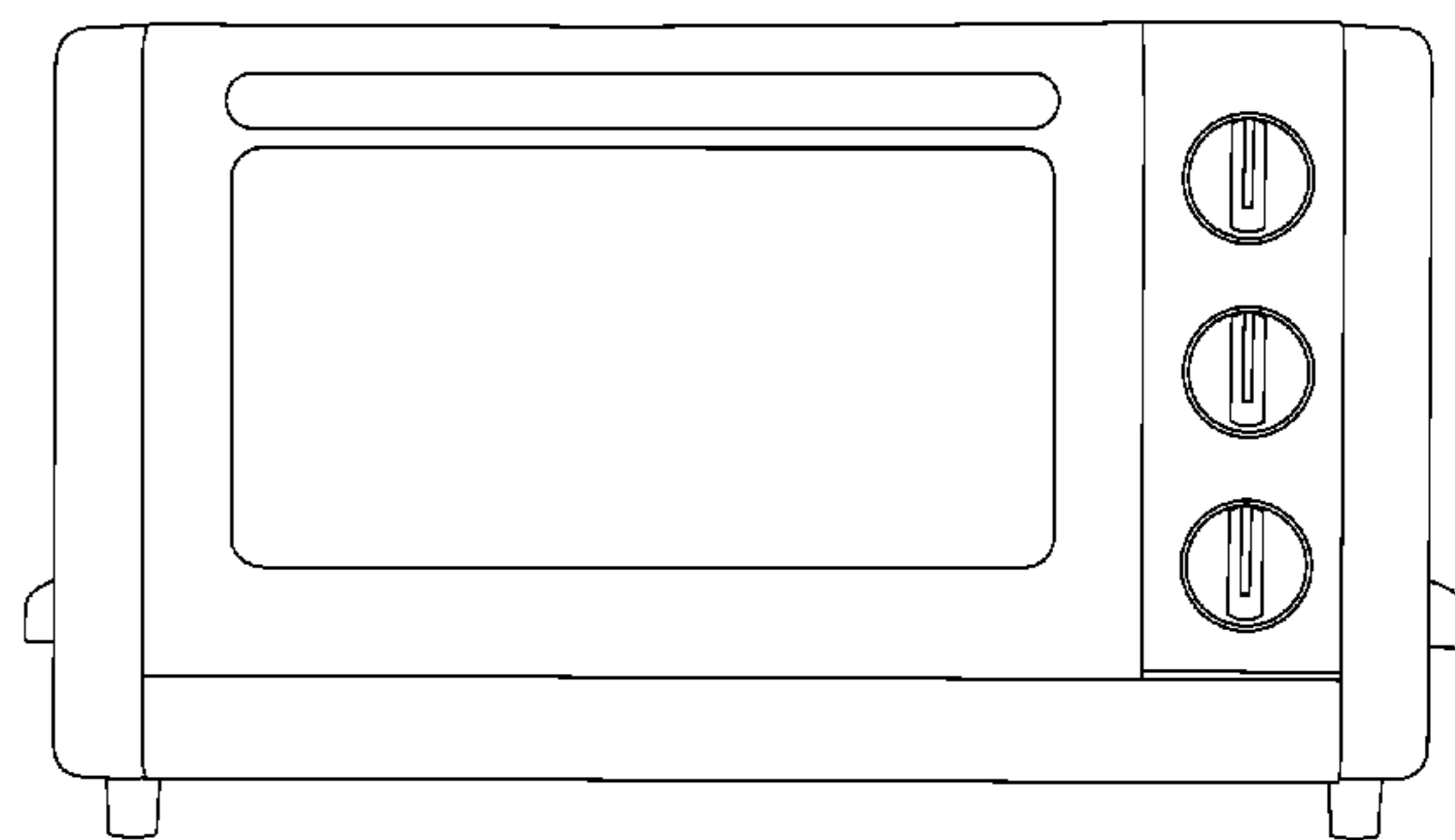
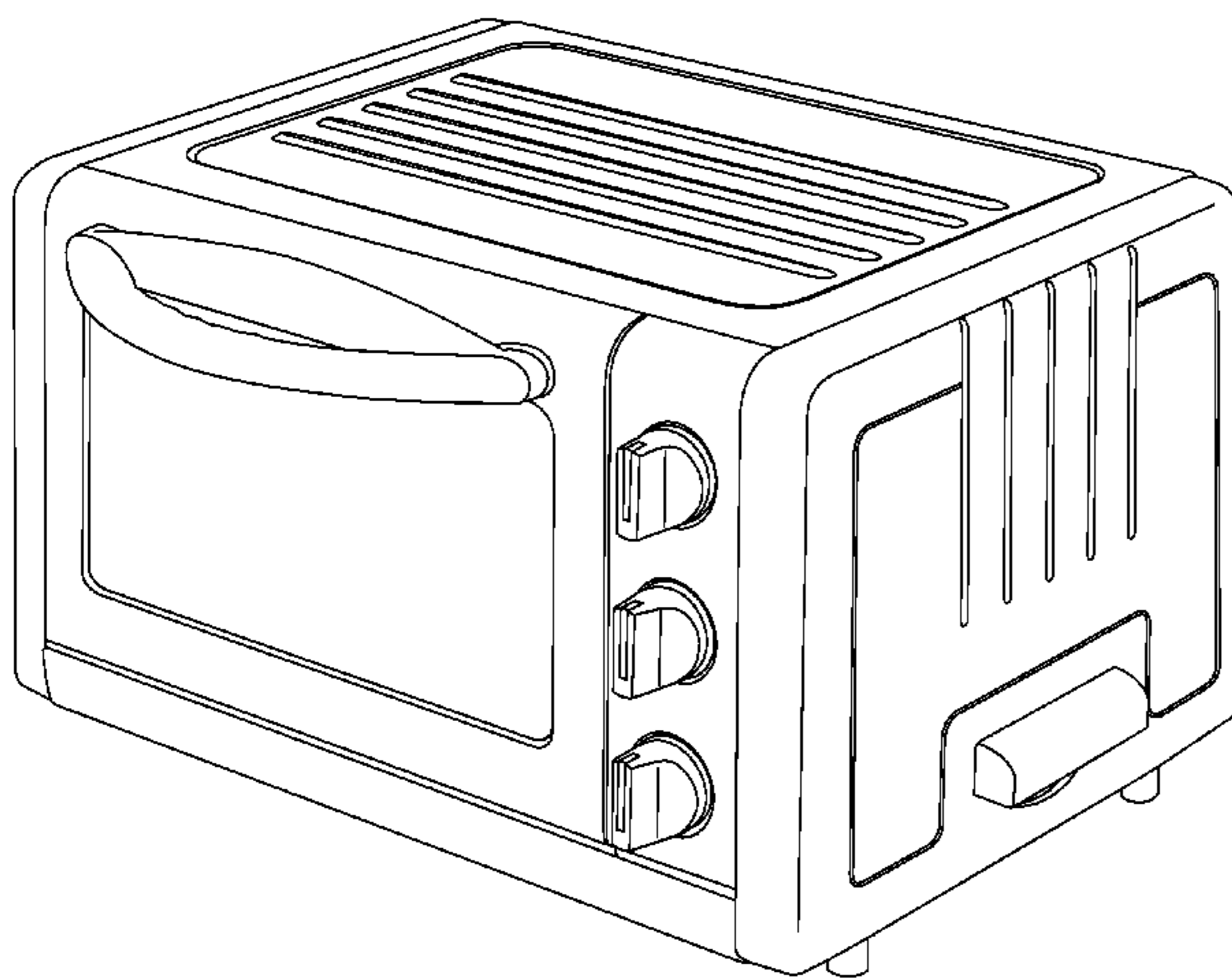


FIGURE 1

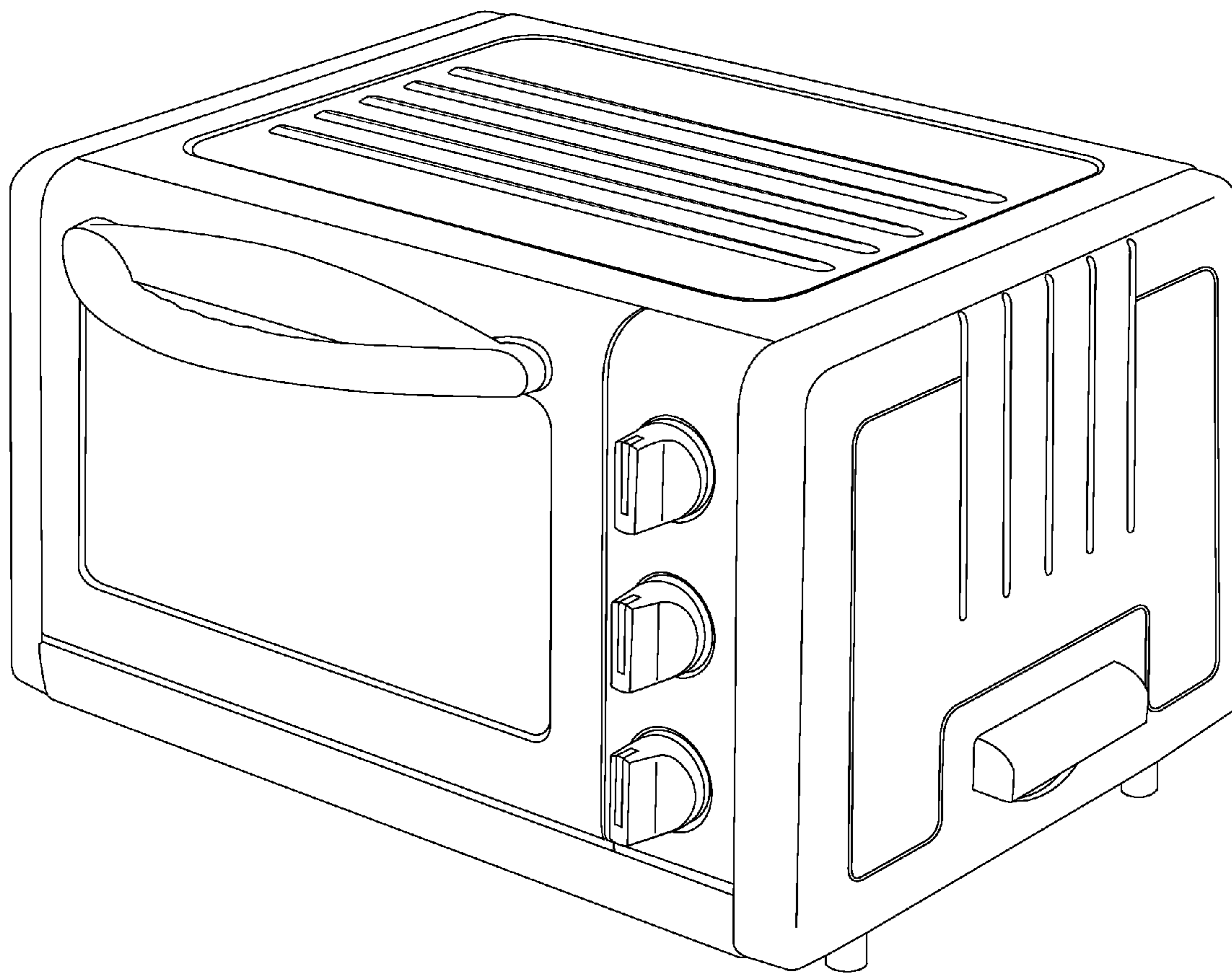


FIGURE 2

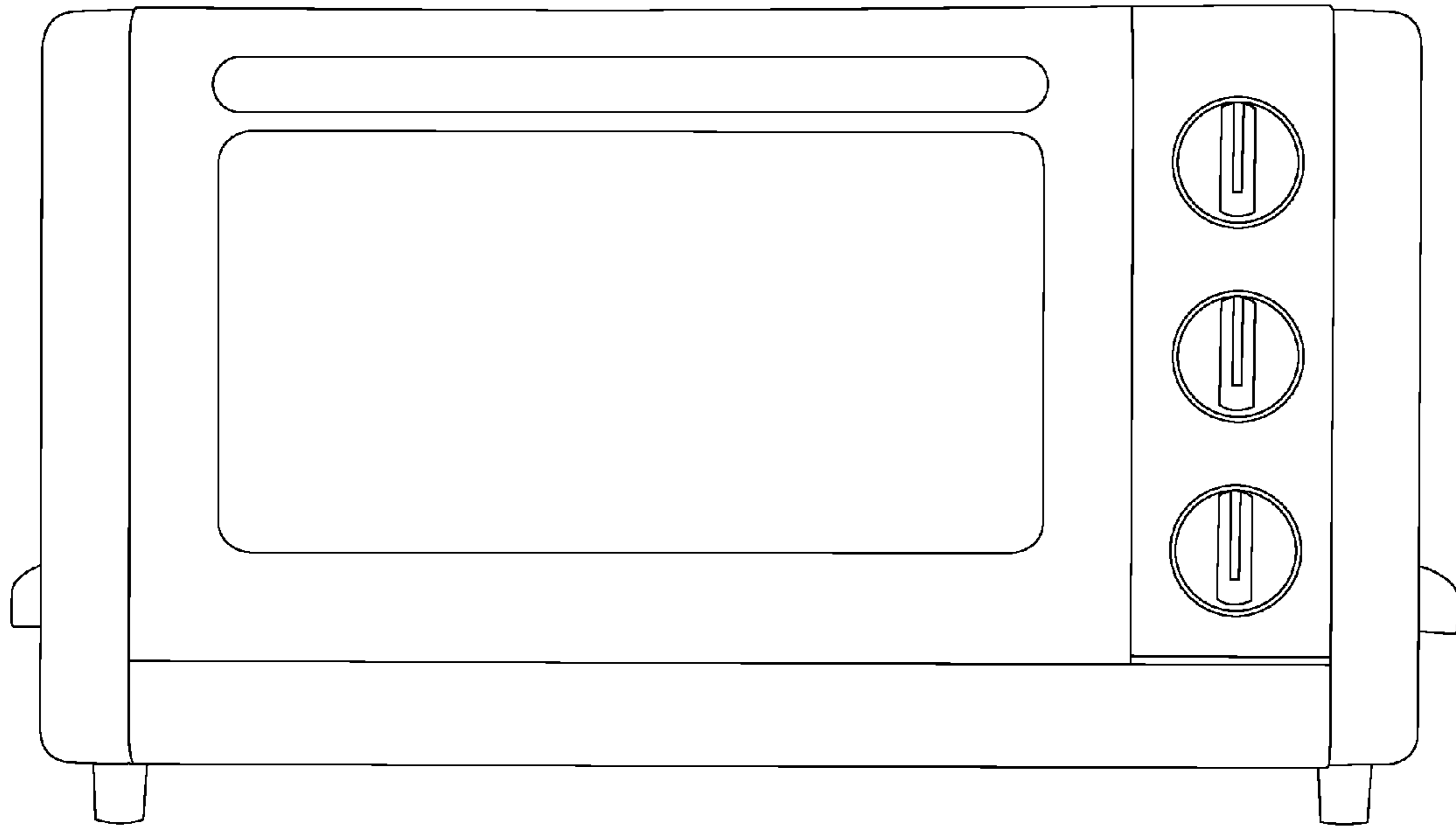


FIGURE 3

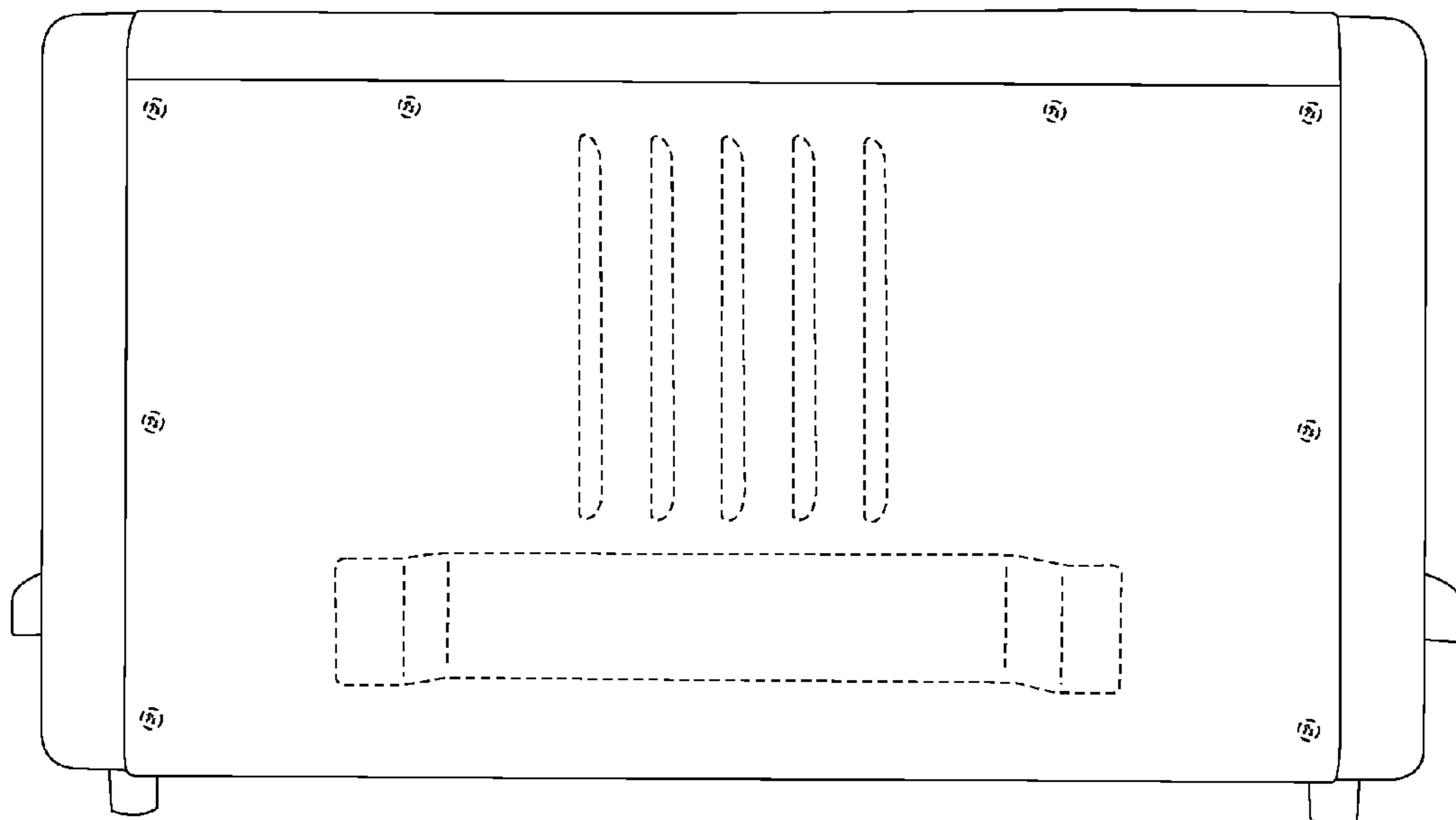


FIGURE 4

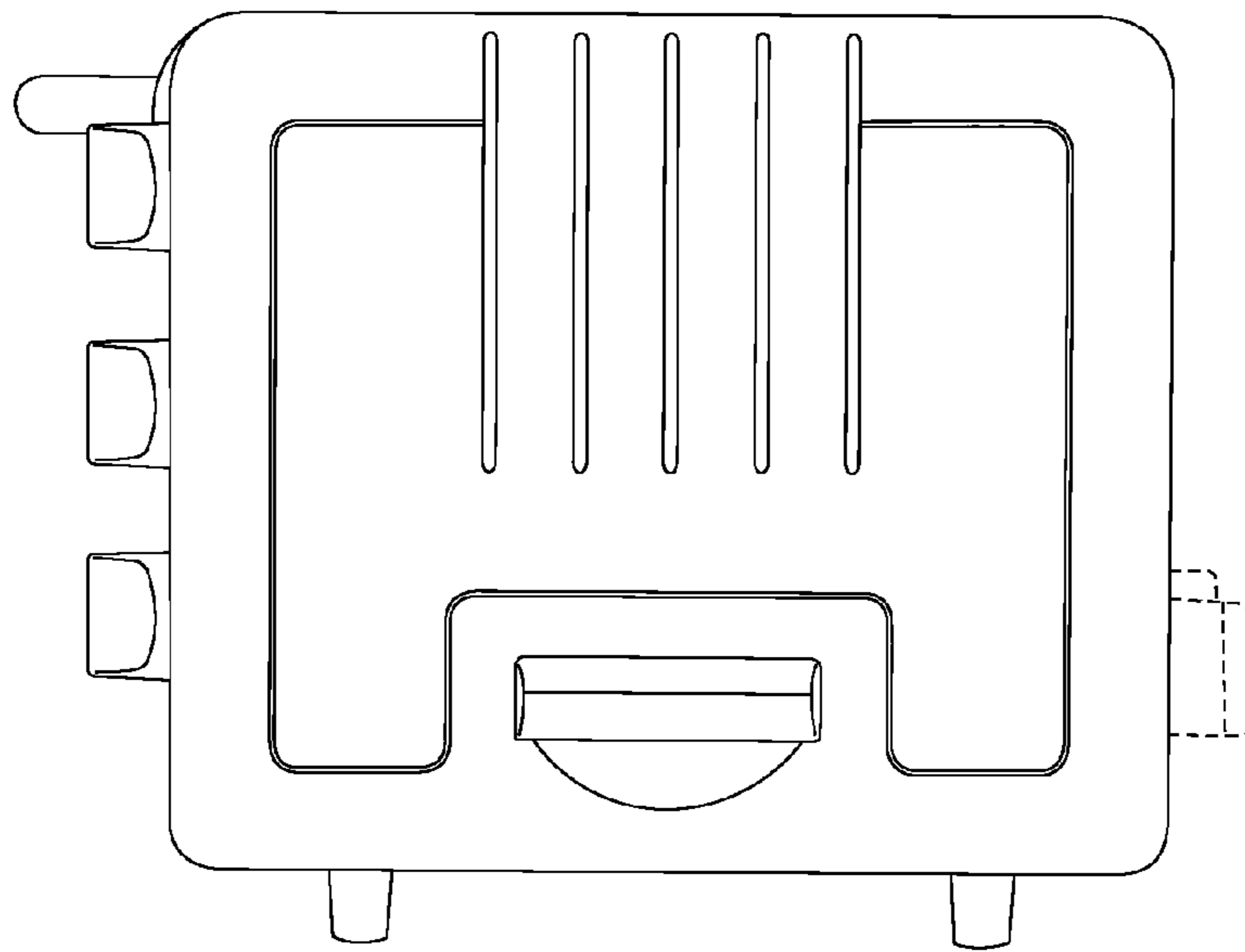


FIGURE 5

