



US00D602301S

(12) **United States Design Patent**
Romandy

(10) **Patent No.:** **US D602,301 S**
(45) **Date of Patent:** **** Oct. 20, 2009**

(54) **COFFEE MAKER**
(75) Inventor: **Mark Romandy**, Midlothian, VA (US)
(73) Assignee: **Hamilton Beach Brands, Inc.**, Glen Allen, VA (US)
(**) Term: **14 Years**
(21) Appl. No.: **29/333,945**
(22) Filed: **Mar. 18, 2009**

6,454,243 B2 9/2002 Kawolics
D482,229 S 11/2003 Essig et al.
D489,932 S 5/2004 Picozza et al.
D506,529 S 6/2005 Roethel
D508,109 S 8/2005 Roethel
D528,343 S * 9/2006 Ham D7/306
D531,444 S 11/2006 Ohashi
7,258,006 B2 8/2007 Toth et al.
D563,142 S 3/2008 Kauer
D570,148 S 6/2008 Garman
D581,196 S * 11/2008 Kassenaar D7/306
D593,354 S * 6/2009 Romandy D7/306

(51) **LOC (9) Cl.** **07-01**
(52) **U.S. Cl.** **D7/306; 313/309**
(58) **Field of Classification Search** D7/305-311,
D7/312, 300, 313; 99/295, 287, 299, 282,
99/312, 308, 310
See application file for complete search history.

* cited by examiner

Primary Examiner—Marianne Pandozzi
(74) *Attorney, Agent, or Firm*—Thomas, Raring & Teague, P.C.

(56) **References Cited**
U.S. PATENT DOCUMENTS

1,554,612 A 1/1925 Wilson et al.
D184,507 S 3/1959 Bowlby
D192,529 S * 4/1962 Painter D7/313
D192,530 S 4/1962 Painter
D199,407 S 10/1964 Ernest
D199,408 S 10/1964 Felske
D200,655 S 3/1965 De Fano
D200,755 S * 4/1965 Sebastian D20/1
D244,929 S 7/1977 Armstrong
D356,713 S 3/1995 Groover
D358,289 S * 5/1995 Thies et al. D7/306
5,651,905 A * 7/1997 Thies et al. 219/438
5,788,840 A 8/1998 Lee et al.
5,944,225 A 8/1999 Kawolics
D431,145 S 9/2000 Woelacke et al.
6,282,952 B1 9/2001 Kawolics
D450,214 S 11/2001 Woebecke et al.

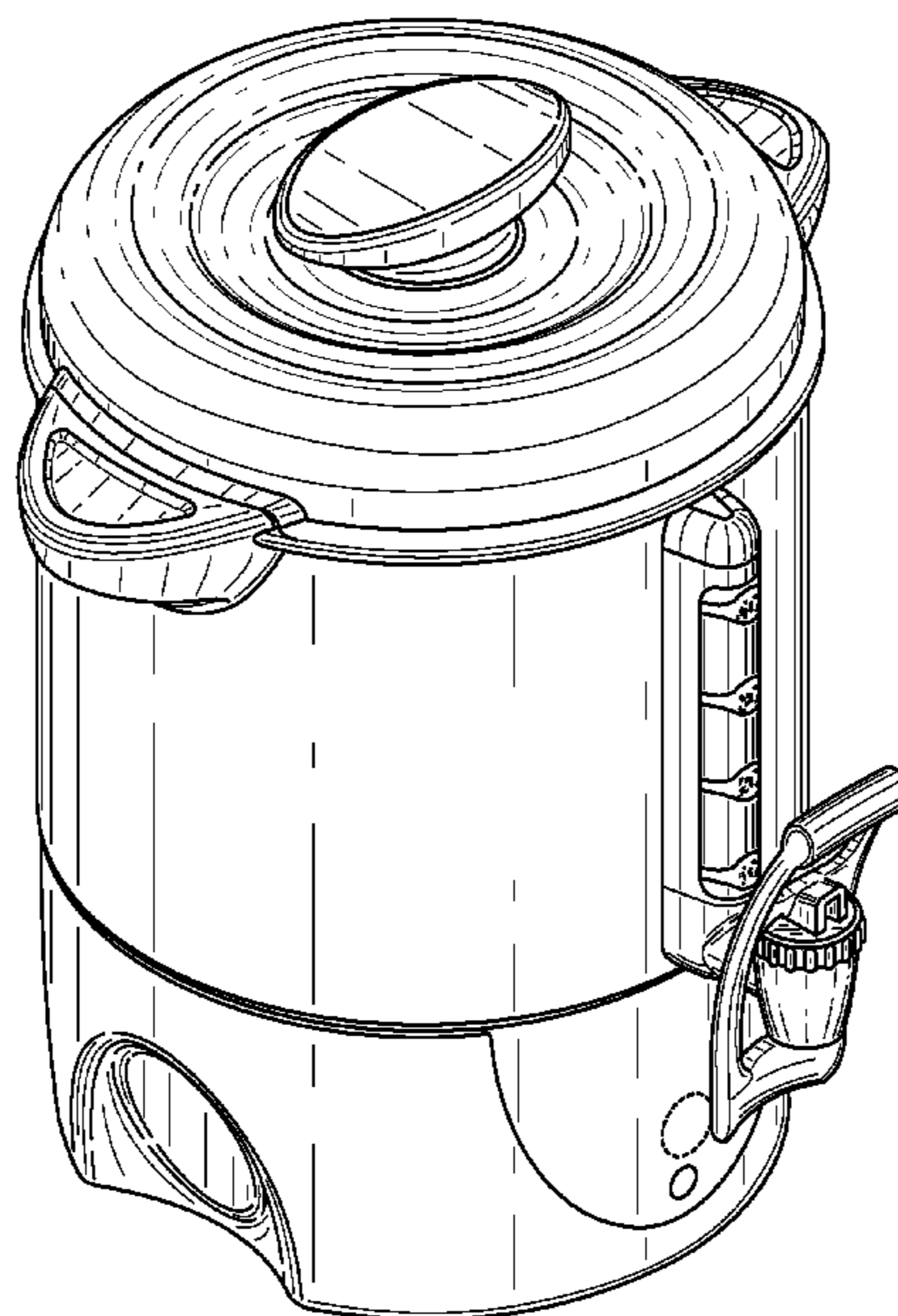
(57) **CLAIM**

The ornamental design for a coffee maker, as shown and described.

DESCRIPTION

FIG. 1 is a front view of a coffee maker showing the new design;
FIG. 2 is a rear view thereof;
FIG. 3 is a left side view thereof;
FIG. 4 is a right side view thereof;
FIG. 5 is a top down view thereof;
FIG. 6 is a bottom view thereof; and,
FIG. 7 is a three-quarter perspective view thereof.
The broken lines in the drawings are for illustrative purposes only and form no part of the claimed design.

1 Claim, 7 Drawing Sheets



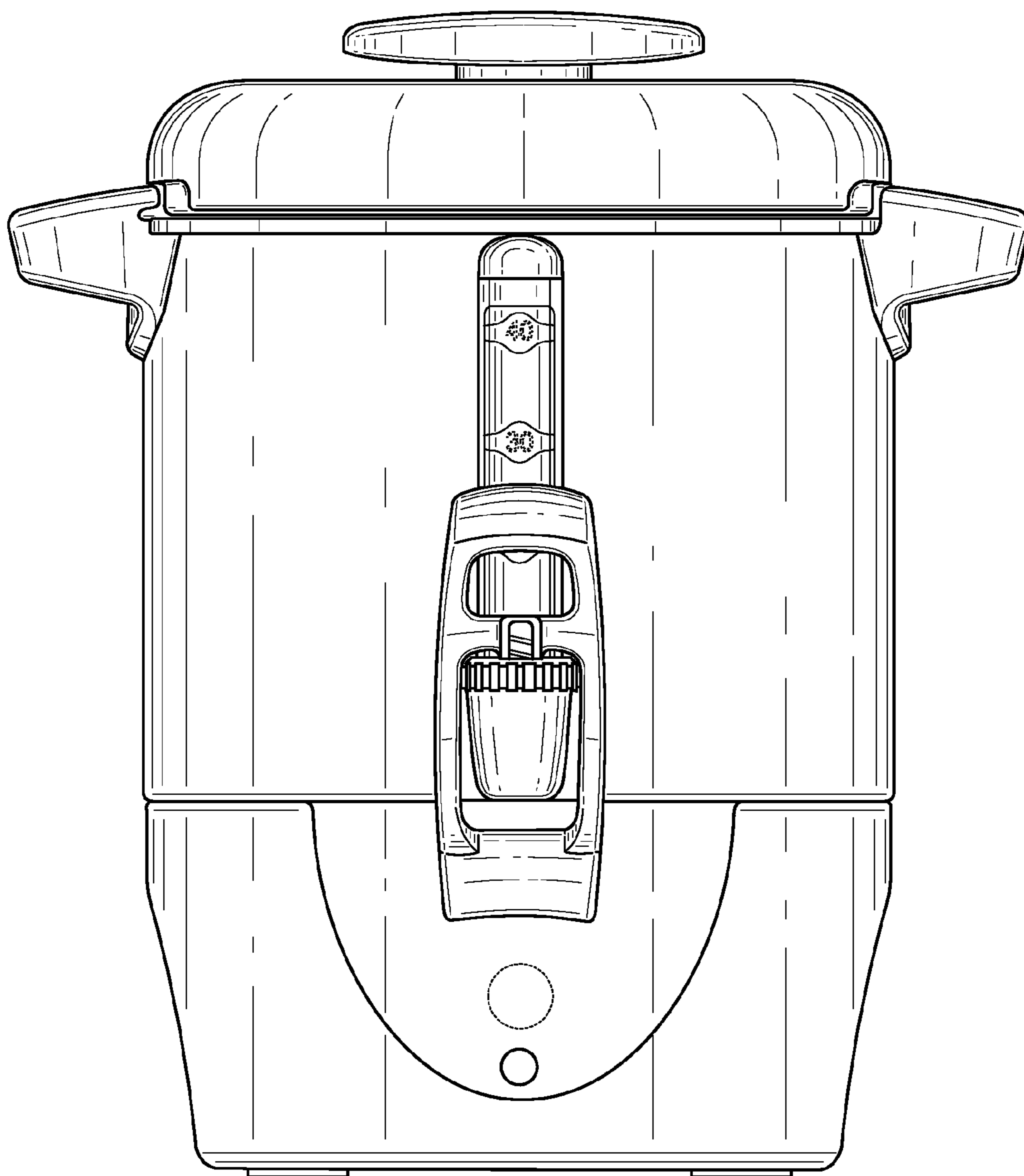


FIG. 1

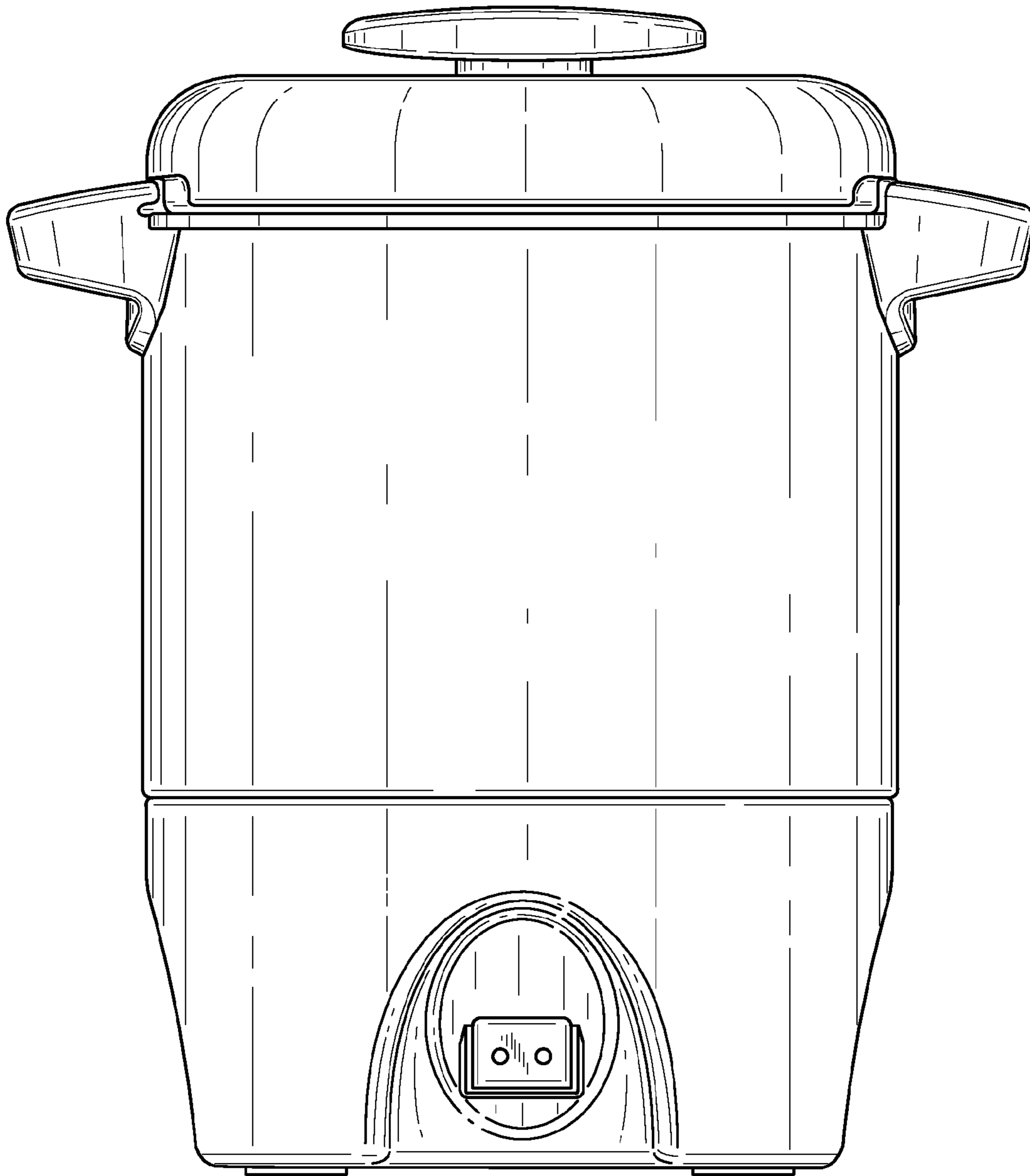


FIG. 2

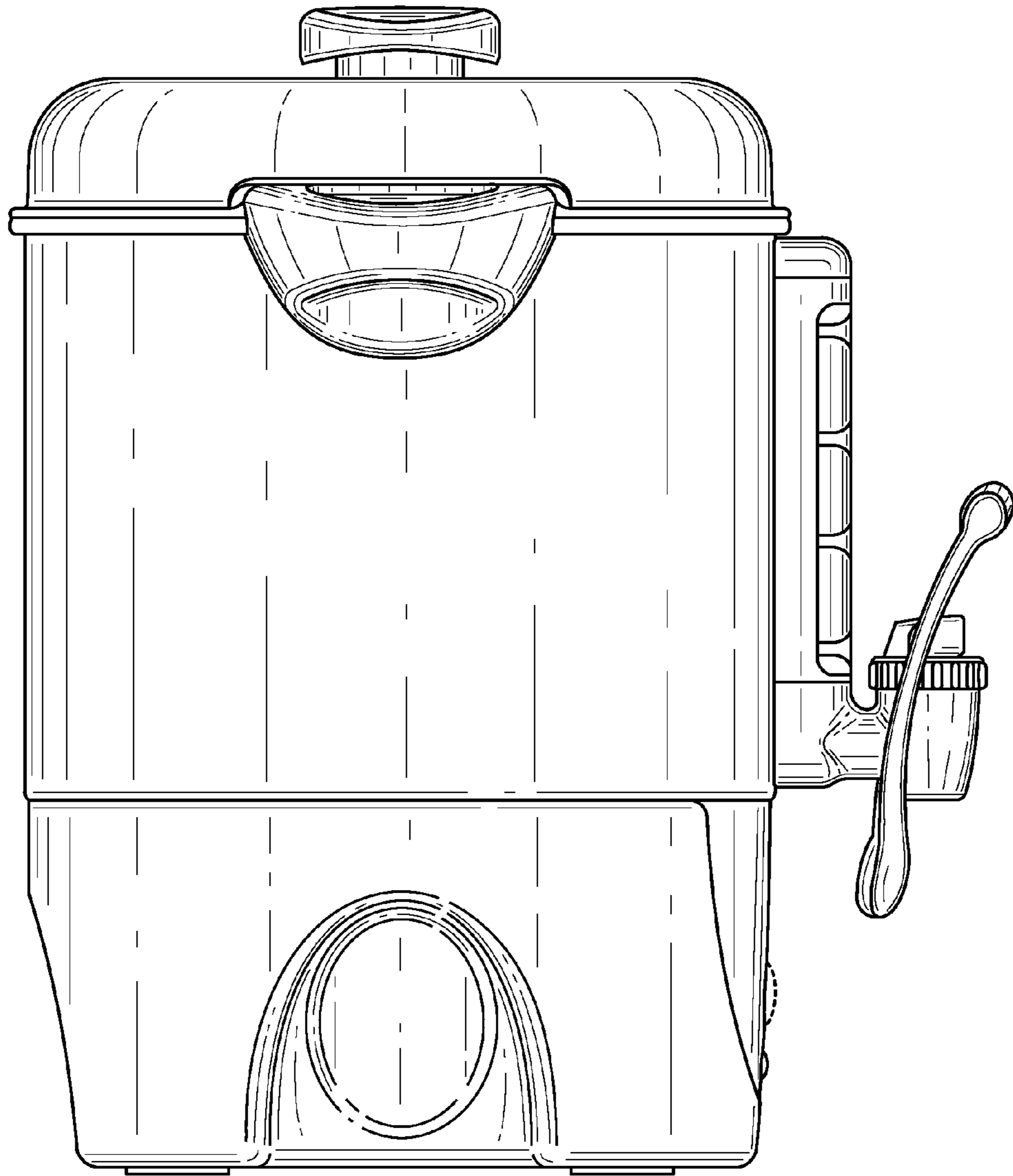


FIG. 3

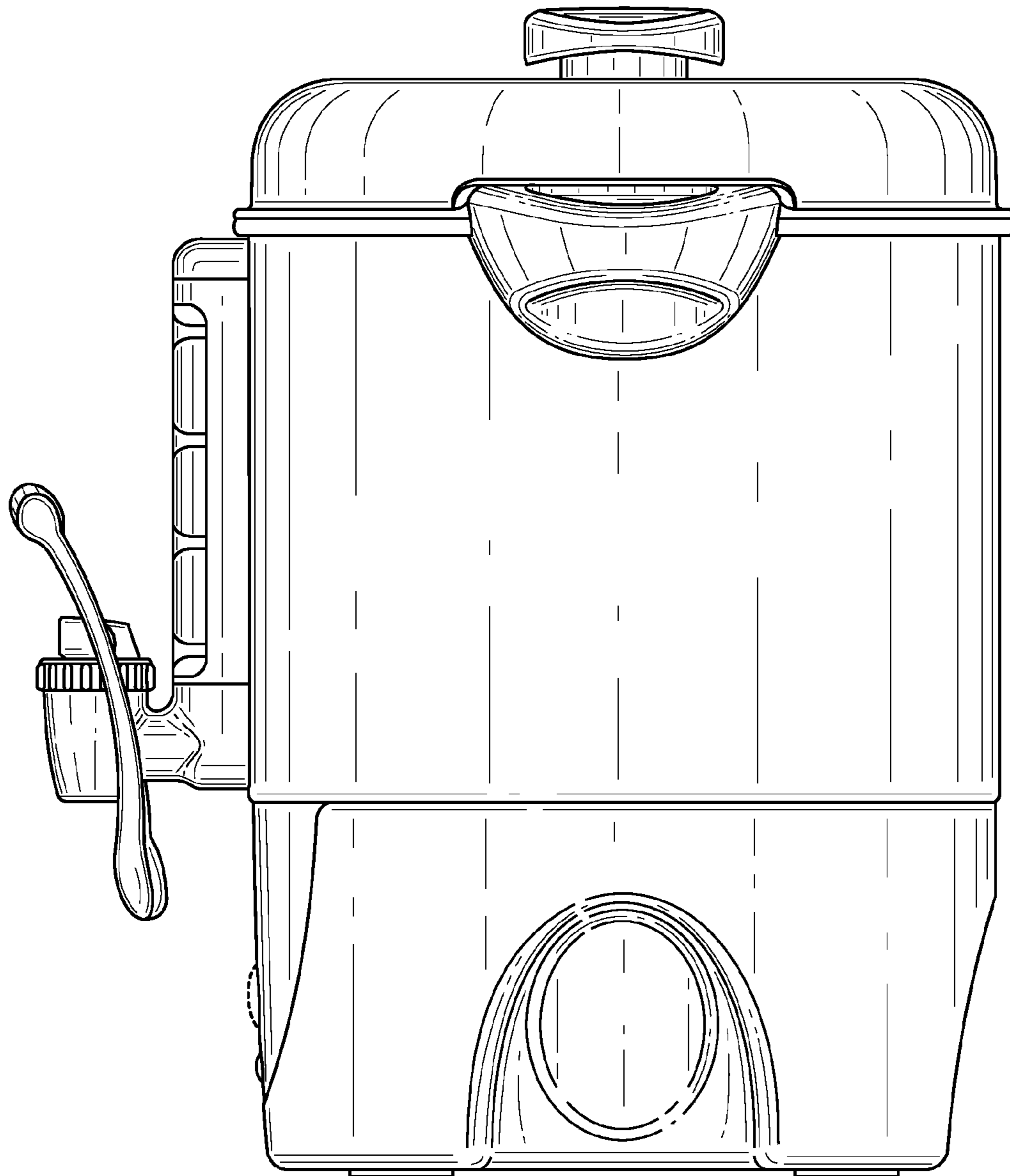


FIG. 4

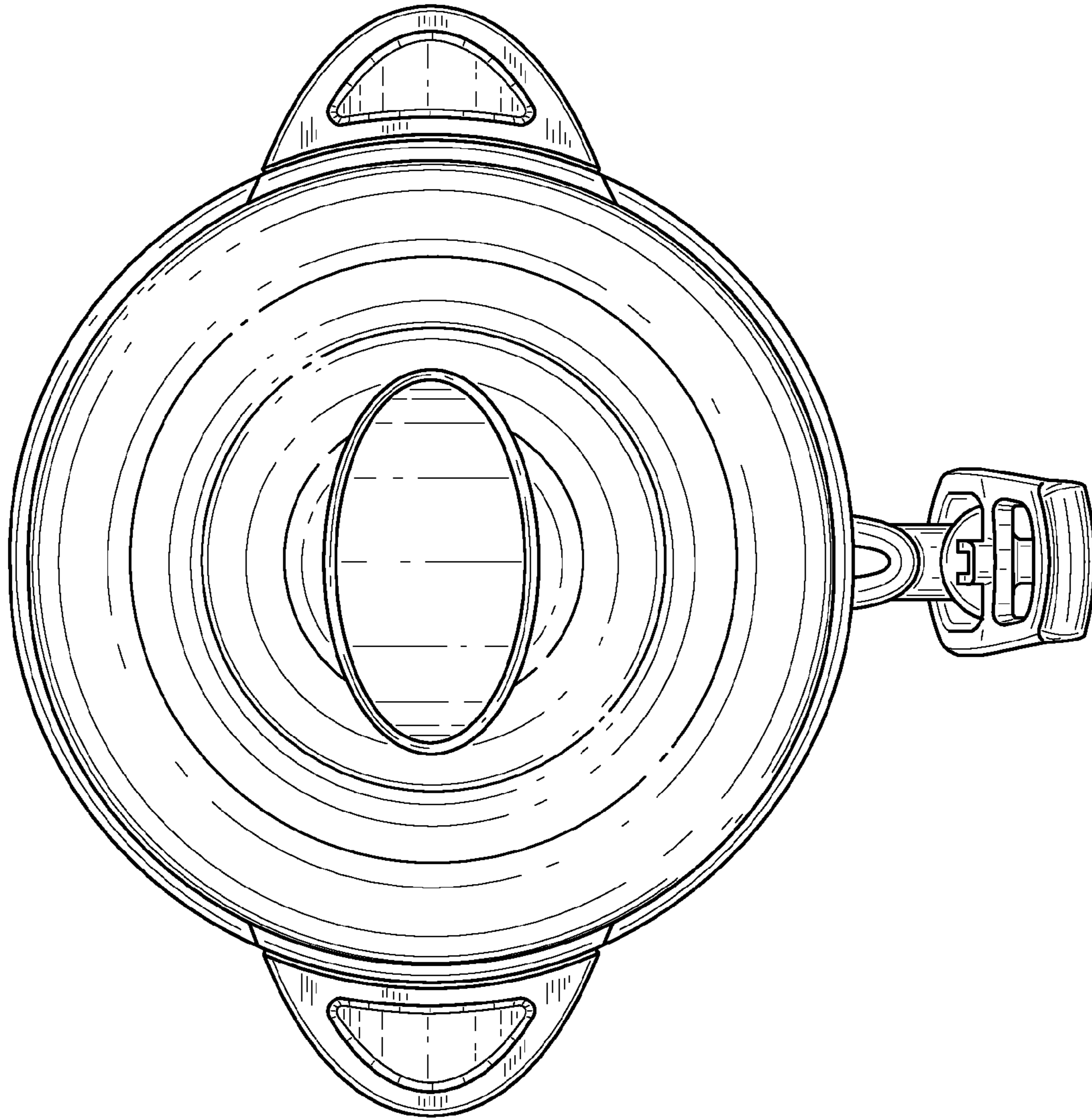


FIG. 5

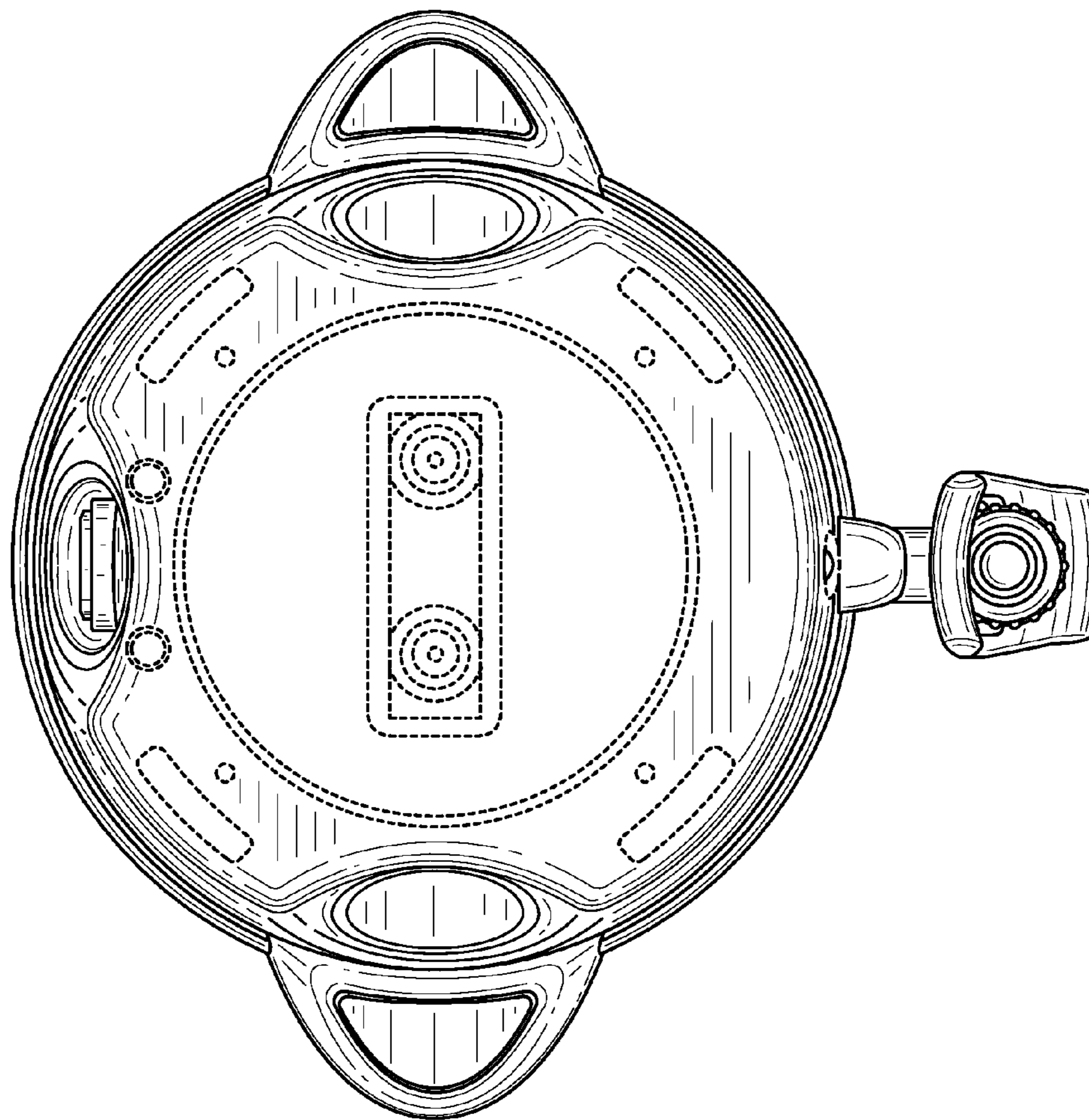


FIG. 6

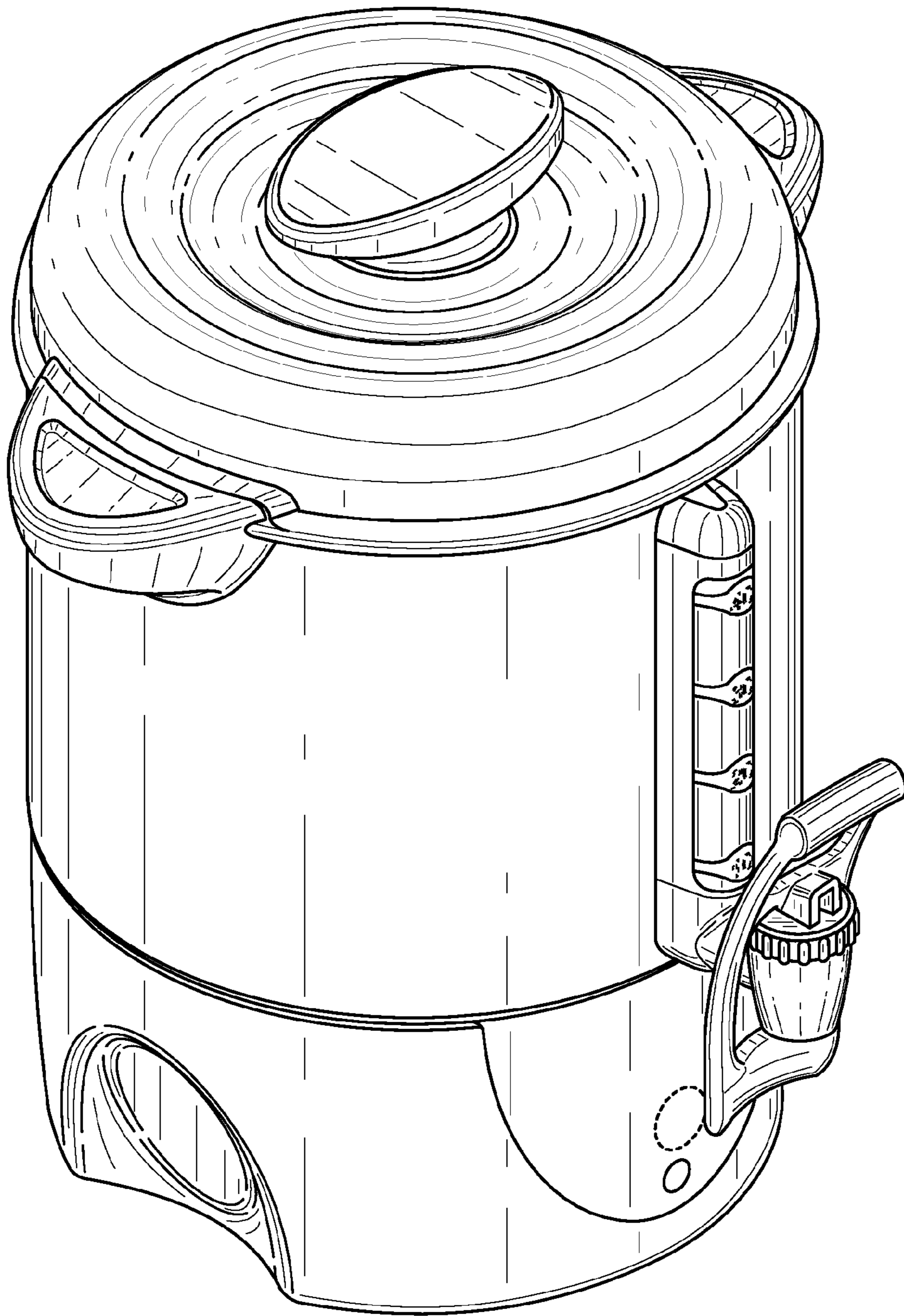


FIG. 7