



US00D602300S

(12) **United States Design Patent**
Jeska et al.

(10) **Patent No.:** **US D602,300 S**
(45) **Date of Patent:** **** Oct. 20, 2009**

(54) **BED SHEET**

WO WO0176526 10/2001
WO WO2004062340 7/2004

(76) Inventors: **Cynthia Sue Jeska**, 315 Glendale Blvd.,
Kalamazoo, MI (US) 49004; **Eric Foster**
Jeska, 315 Glendale Blvd., Kalamazoo,
MI (US) 49004

Primary Examiner—Janice E Seeger
Assistant Examiner—Mary Ann Calabrese
(74) *Attorney, Agent, or Firm*—Polster, Lieder, Woodruff &
Lucchesi LC

(**) Term: **14 Years**

(21) Appl. No.: **29/299,923**

(57) **CLAIM**

(22) Filed: **Jan. 7, 2008**

The ornamental design for a bed sheet, as shown and described.

(51) **LOC (9) Cl.** **06-13**

(52) **U.S. Cl.** **D6/602**

(58) **Field of Classification Search** D6/595,
D6/596, 602, 603, 606, 608, 609; 5/482–486,
5/494–502, 655; D9/414, 425, 430, 432,
D9/433, 456; 128/899

See application file for complete search history.

DESCRIPTION

FIG. 1 is a perspective view of a bed sheet illustrating a flap in a first position, the bed sheet being positioned over a mattress (not shown);

FIG. 2 is a top plan view thereof;

FIG. 3 is a bottom plan view of the bed sheet removed from the mattress;

FIG. 4 is a side view of FIG. 1;

FIG. 5 is a side view of the flap of the bed sheet in a second alternate position;

FIG. 6 is an end view thereof;

FIG. 7 is opposite end view thereof;

FIG. 8 is a plan view of the bed sheet in an unfolded position;

FIG. 9 is a perspective view of the bed sheet illustrating the flap in the second alternate position, the bed sheet being positioned over the mattress; and,

FIG. 10 is an enlarged cross sectional view taken along line “10—10” in FIG. 2, shown broken away to fit on the drawing sheet.

The broken lines showing the pillow in FIGS. 1 and 9 illustrate the environment in which the bed sheet is used and forms no part of the claimed design. The broken lines on the bed sheet in FIG. 8 are fold lines.

(56) **References Cited**

U.S. PATENT DOCUMENTS

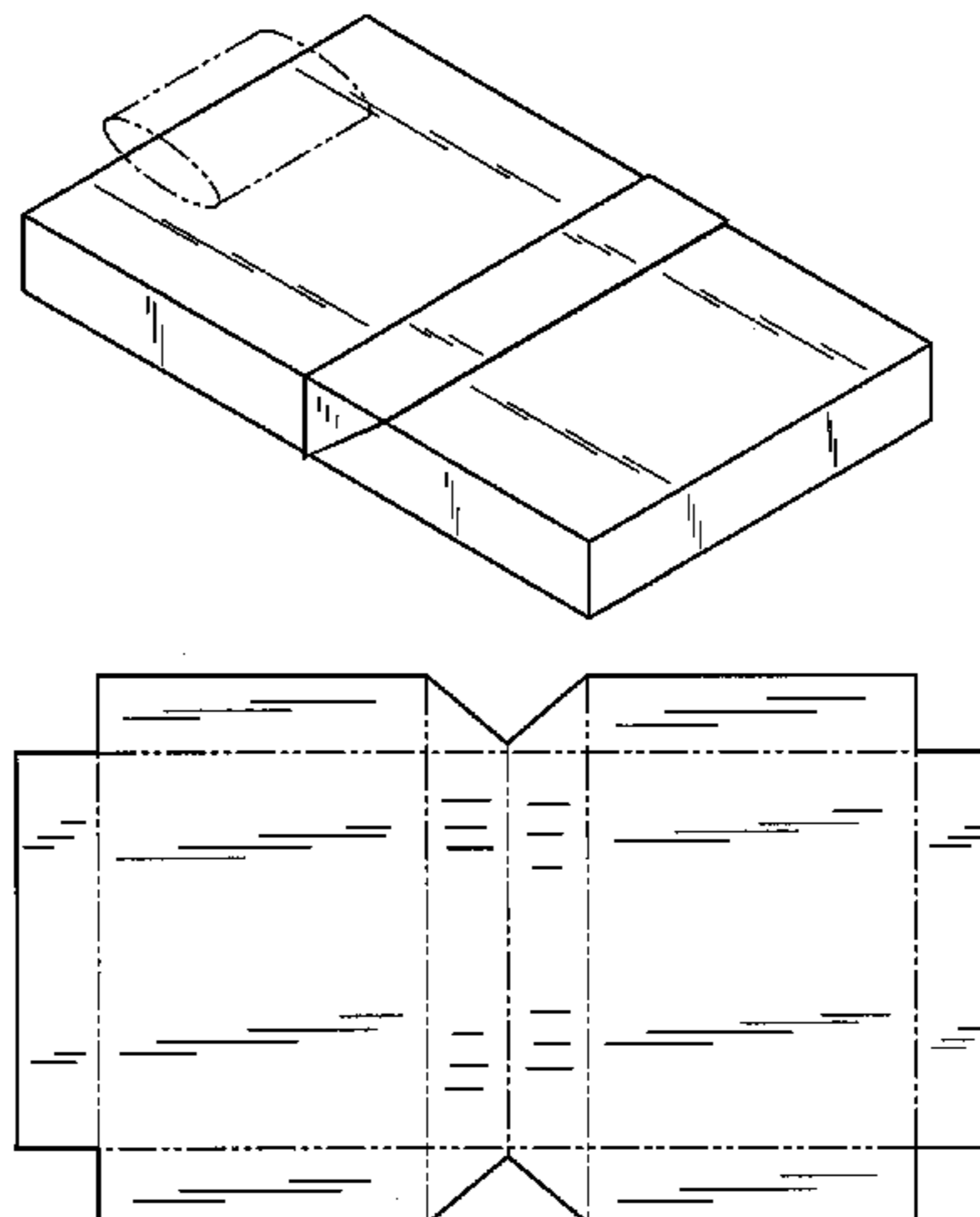
793,435	A	6/1905	Graf et al.	
1,267,042	A *	5/1918	Arnold	5/486
1,404,199	A	1/1922	Given	
2,779,035	A	1/1957	McMurry	
3,113,326	A	12/1963	Hyde et al.	
3,286,284	A	11/1966	Klogether et al.	
3,407,414	A	10/1968	Burns et al.	
3,646,624	A	3/1972	Zipf, III	
3,910,268	A	10/1975	Miller	
3,973,276	A	8/1976	Moses	
4,021,869	A *	5/1977	Root	5/498
4,064,577	A	12/1977	Walters	
4,308,626	A *	1/1982	Weiss	5/485
4,316,299	A	2/1982	Friedman	
4,391,010	A	7/1983	Kronman	
4,441,223	A	4/1984	Yang	
4,524,474	A	6/1985	Svensson	

(Continued)

FOREIGN PATENT DOCUMENTS

WO WO92/17097 10/1992

1 Claim, 3 Drawing Sheets



US D602,300 S

Page 2

U.S. PATENT DOCUMENTS					
4,572,174	A *	2/1986	Eilender et al.	128/889	5,860,420 A 1/1999 Wiedner et al.
4,698,865	A *	10/1987	Walker	5/497	5,875,780 A 3/1999 Rodriguez
4,889,136	A	12/1989	Hanssen		6,019,102 A 2/2000 Becker
4,903,360	A *	2/1990	Friedman	5/485	6,049,925 A 4/2000 Lewis
5,023,969	A	6/1991	Nattrass		6,148,458 A * 11/2000 Hires 5/485
5,118,553	A	6/1992	Boisson		6,226,814 B1 5/2001 Alexander
5,125,121	A	6/1992	Wroble		6,233,762 B1 5/2001 Bradley
5,221,273	A	6/1993	Graham		6,311,347 B1 11/2001 Limardi et al.
5,322,071	A	6/1994	Ambrose		6,453,492 B1 9/2002 Sturrock
5,471,999	A	12/1995	Mills		6,497,233 B1 12/2002 DeAngelis
5,515,868	A	5/1996	Mills		2002/0007834 A1 1/2002 Trotter et al.
5,701,617	A	12/1997	Colby		2002/0124313 A1 9/2002 Cook et al.
5,787,523	A	8/1998	Lindberg		2004/0031098 A1 2/2004 Hollander
5,845,641	A	12/1998	Pinney		2004/0231677 A1 11/2004 Wallin
					2007/0199150 A1 * 8/2007 Diamant et al. 5/655

* cited by examiner

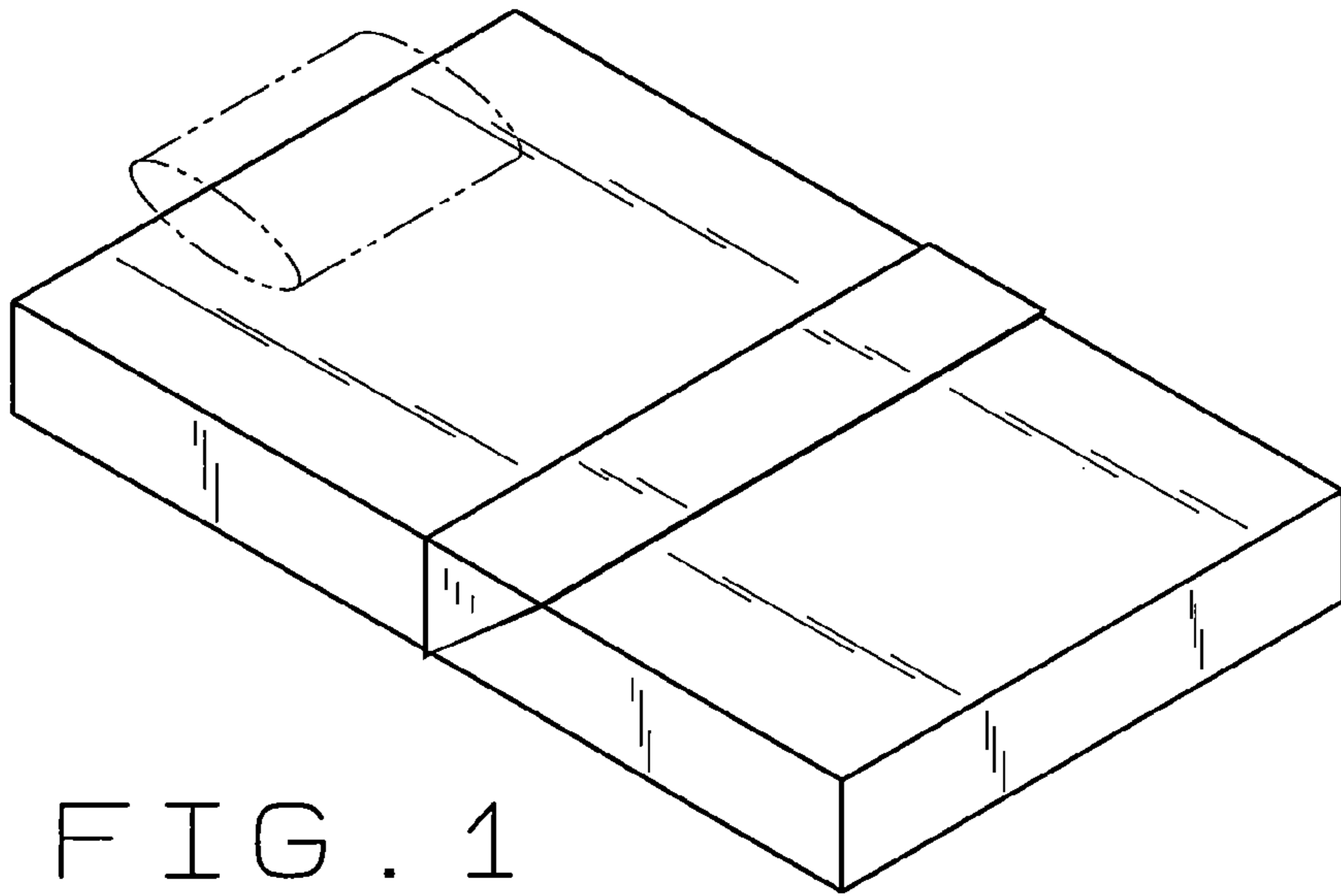


FIG. 1

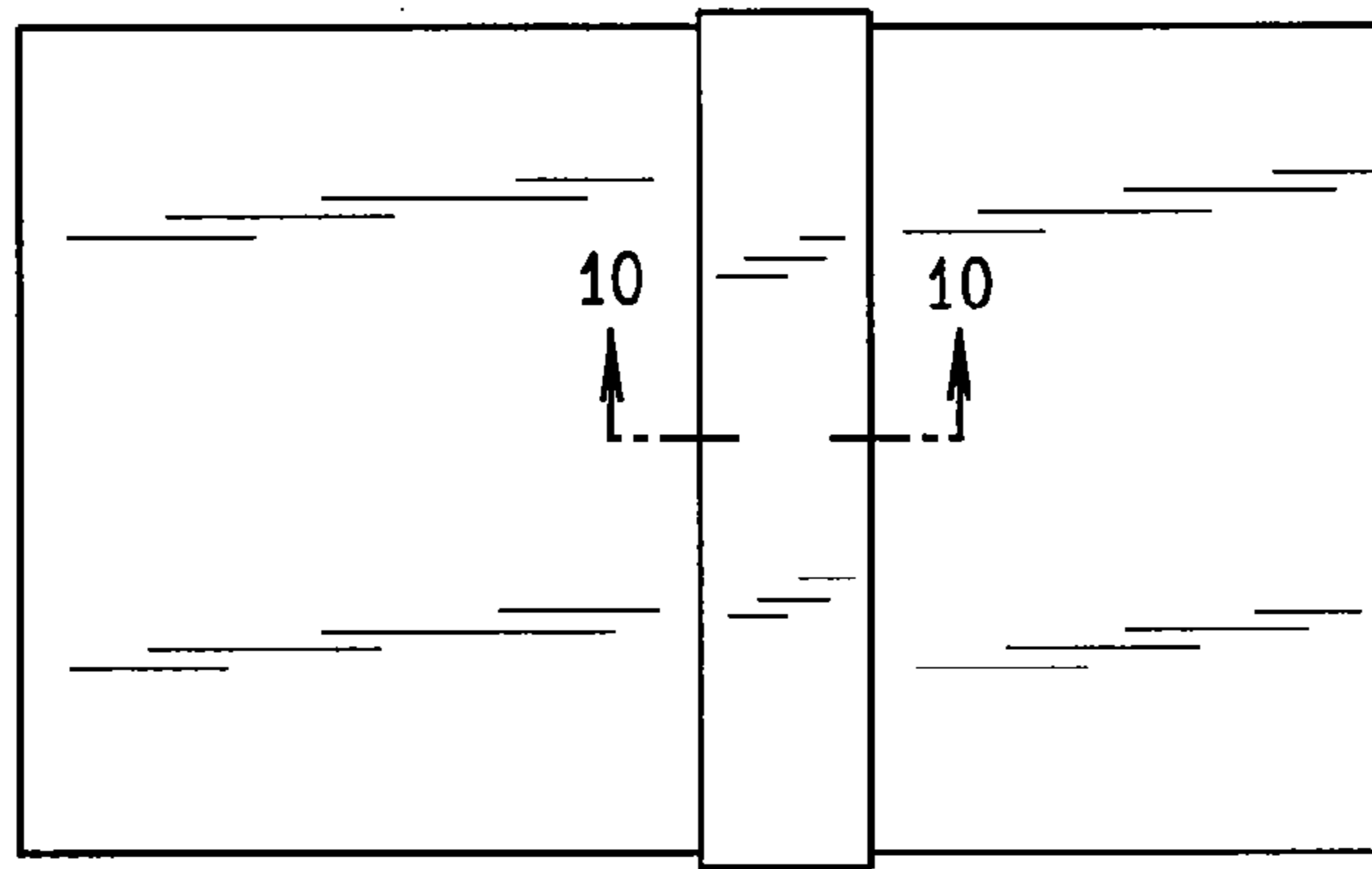


FIG. 2

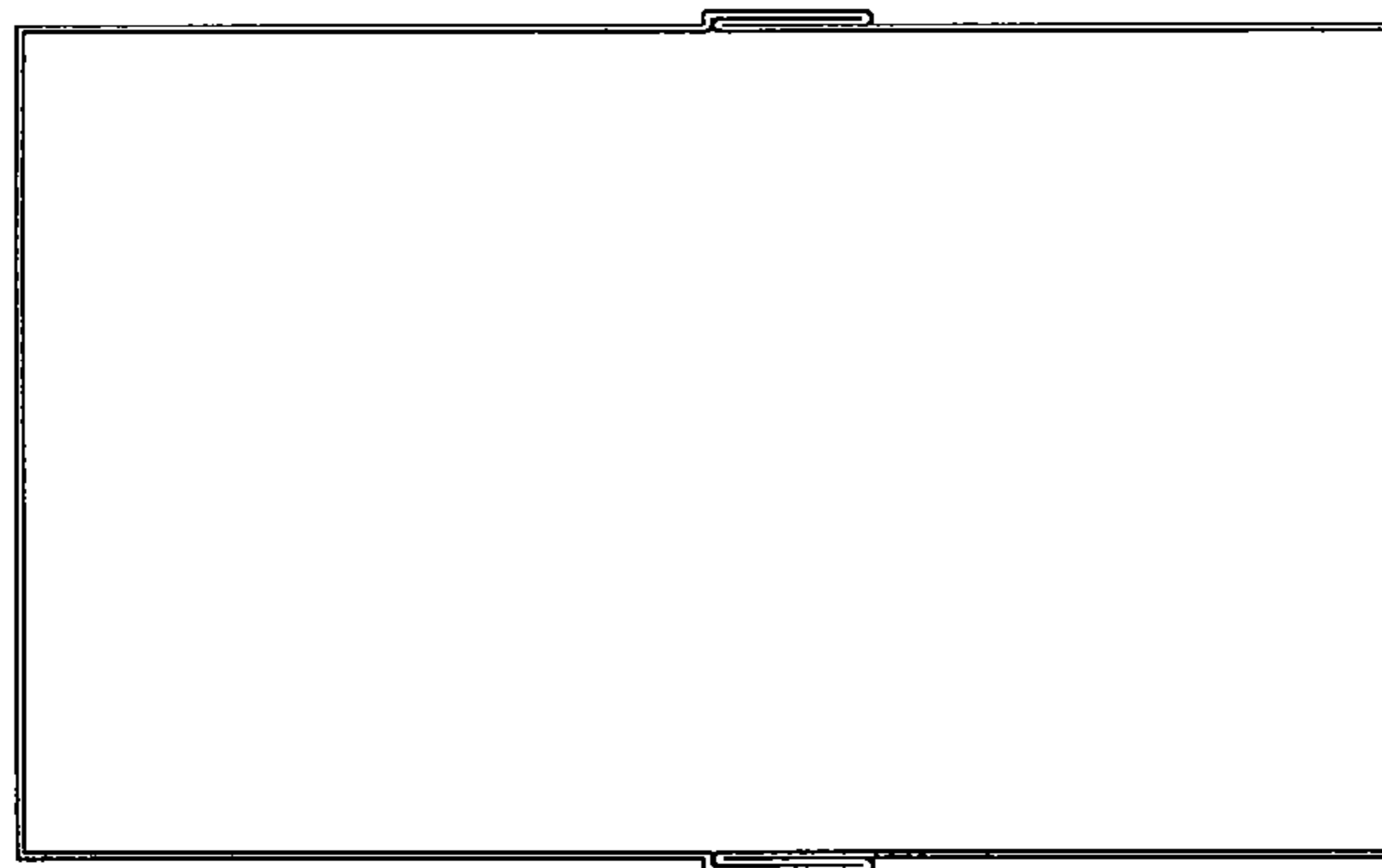


FIG. 3

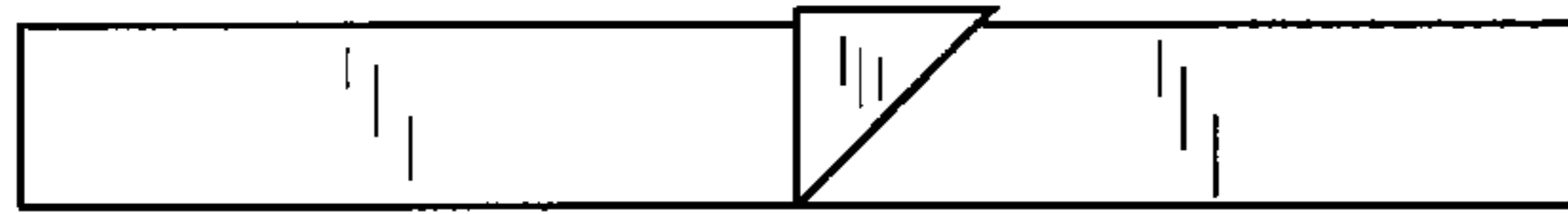


FIG. 4



FIG. 6

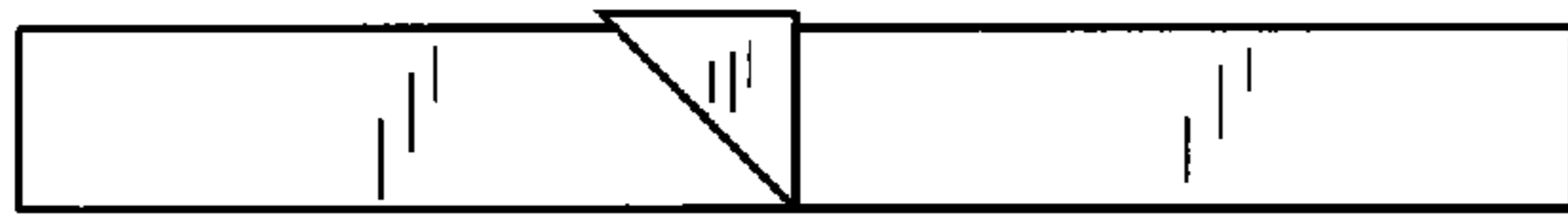


FIG. 5

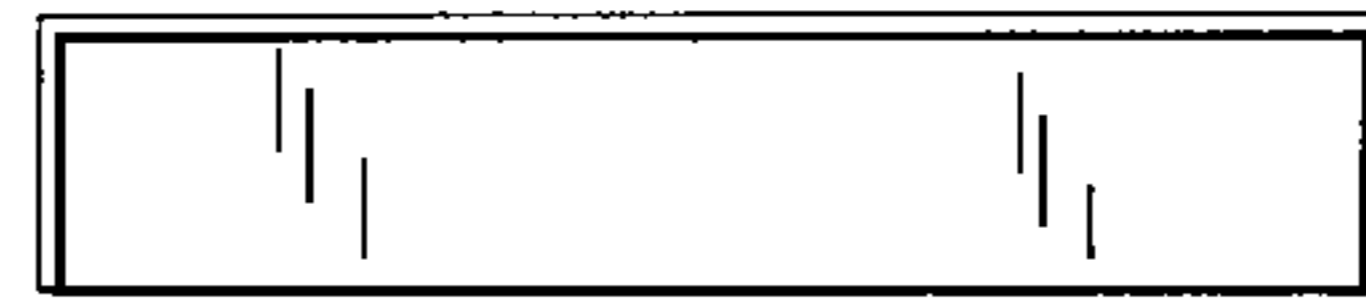


FIG. 7

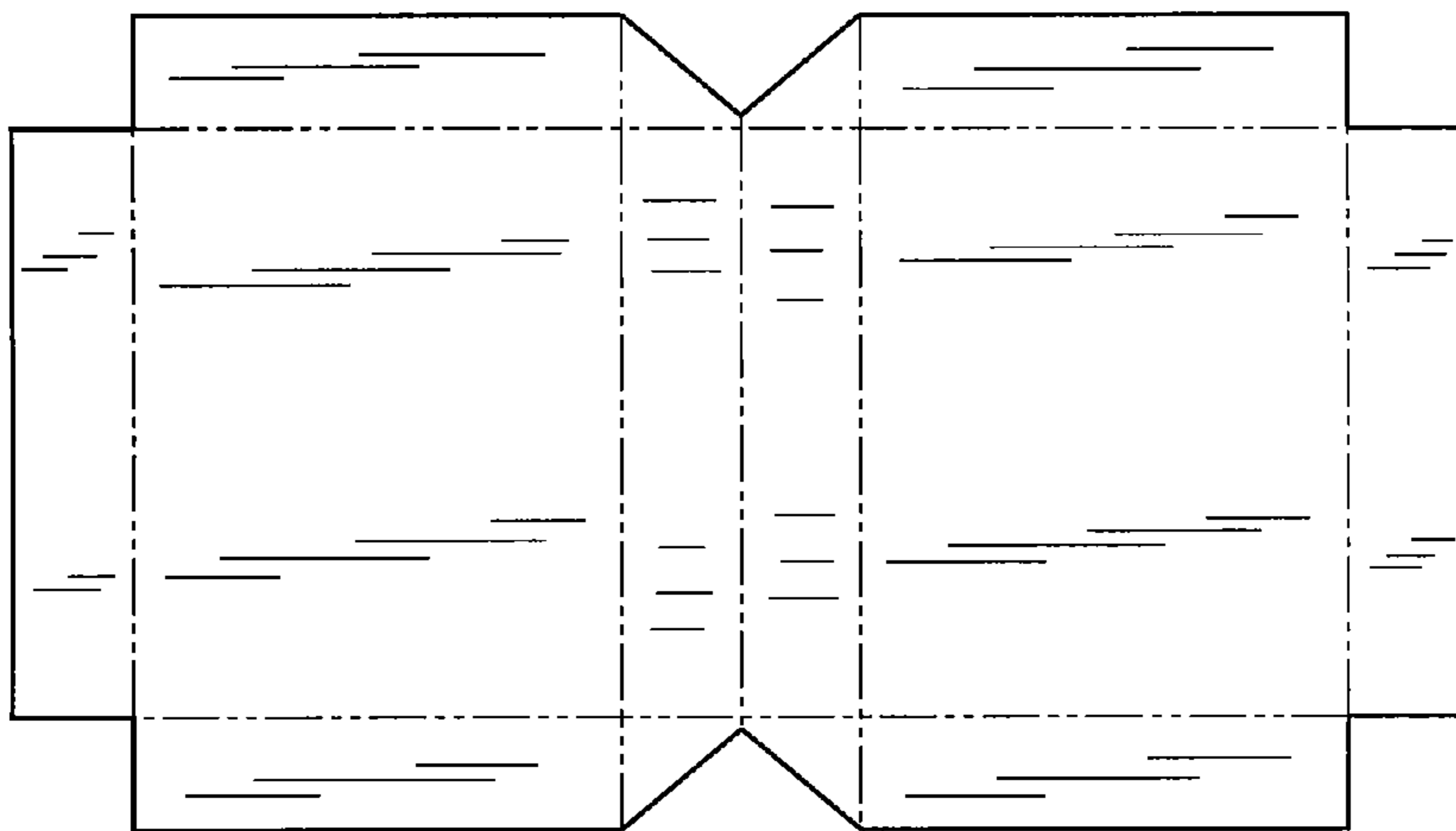


FIG. 8

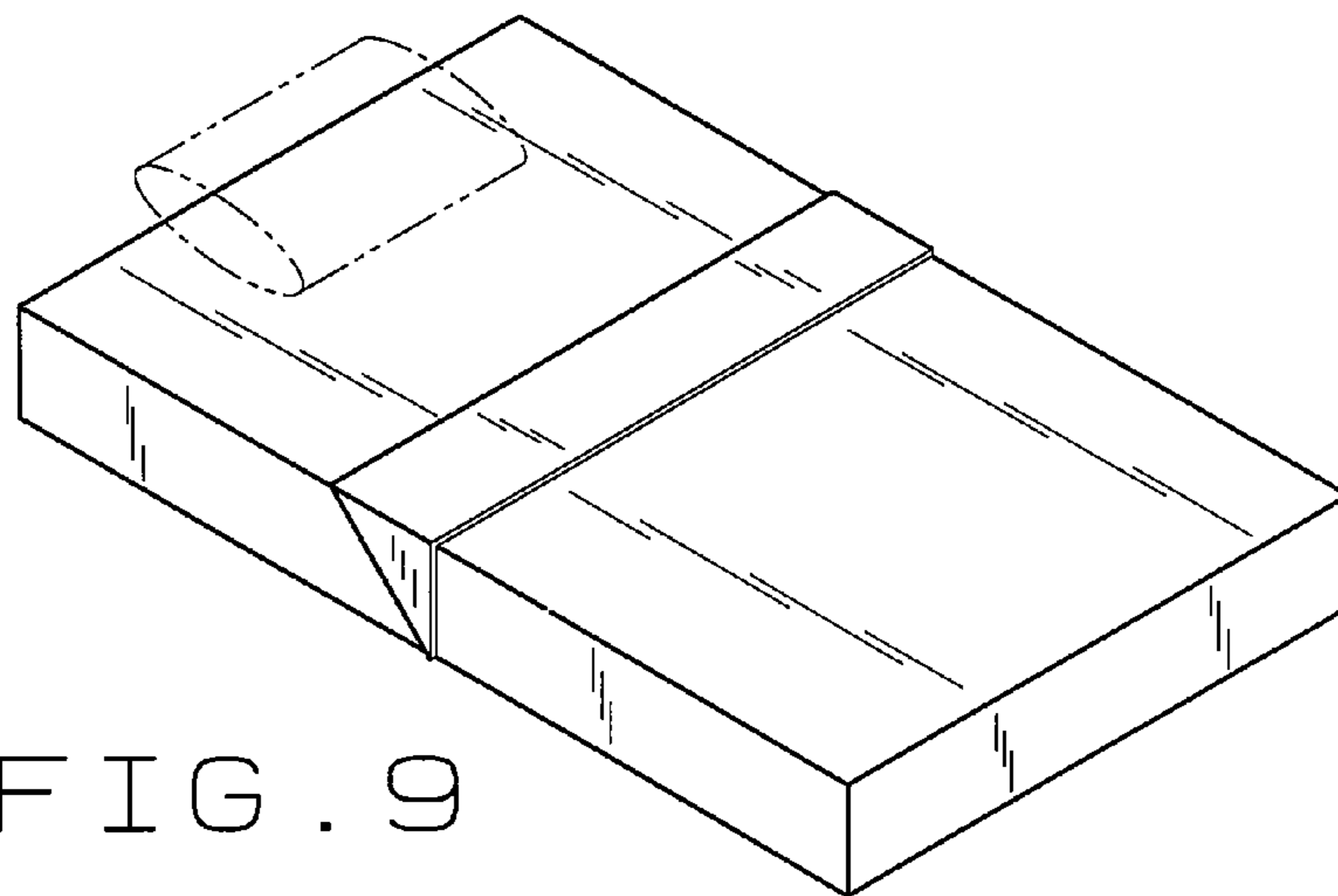


FIG. 9

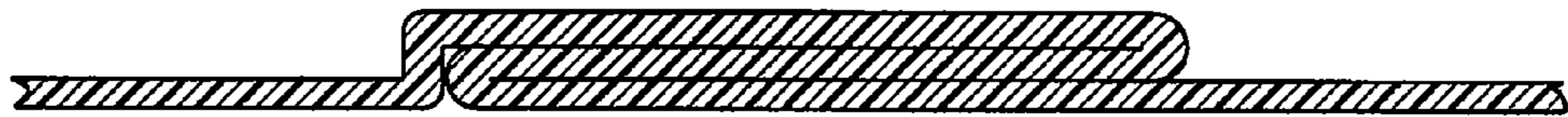


FIG. 10