



US00D602297S

(12) **United States Design Patent**
Zuberi

(10) **Patent No.:** **US D602,297 S**

(45) **Date of Patent:** **** Oct. 20, 2009**

(54) **PILLOW**

(76) **Inventor:** **Najeeb A. Zuberi**, 11121 Bridge House Rd., Windermere, FL (US) 34786

(**) **Term:** **14 Years**

(21) **Appl. No.:** **29/310,646**

(22) **Filed:** **Sep. 2, 2008**

(51) **LOC (9) Cl.** **06-09**

(52) **U.S. Cl.** **D6/601**

(58) **Field of Classification Search** D6/595,
D6/596, 599, 601, 604; 5/630, 631, 633,
5/636, 637, 640, 652-655, 655.3, 655.9,
5/419, 420

See application file for complete search history.

(56) **References Cited**

U.S. PATENT DOCUMENTS

3,312,987 A * 4/1967 Emery 5/644
4,060,863 A * 12/1977 Craig 5/644
4,731,890 A * 3/1988 Roberts 5/655

4,858,259 A * 8/1989 Simmons et al. 5/644
D450,517 S * 11/2001 Darling et al. D6/601
6,457,195 B1 * 10/2002 Holste 5/636
D486,028 S * 2/2004 Cathey D6/601
D489,211 S * 5/2004 Grannum D6/601

* cited by examiner

Primary Examiner—Janice E Seeger

(74) *Attorney, Agent, or Firm*—William M. Hobby, III

(57) **CLAIM**

The ornamental design for a pillow, as shown and described.

DESCRIPTION

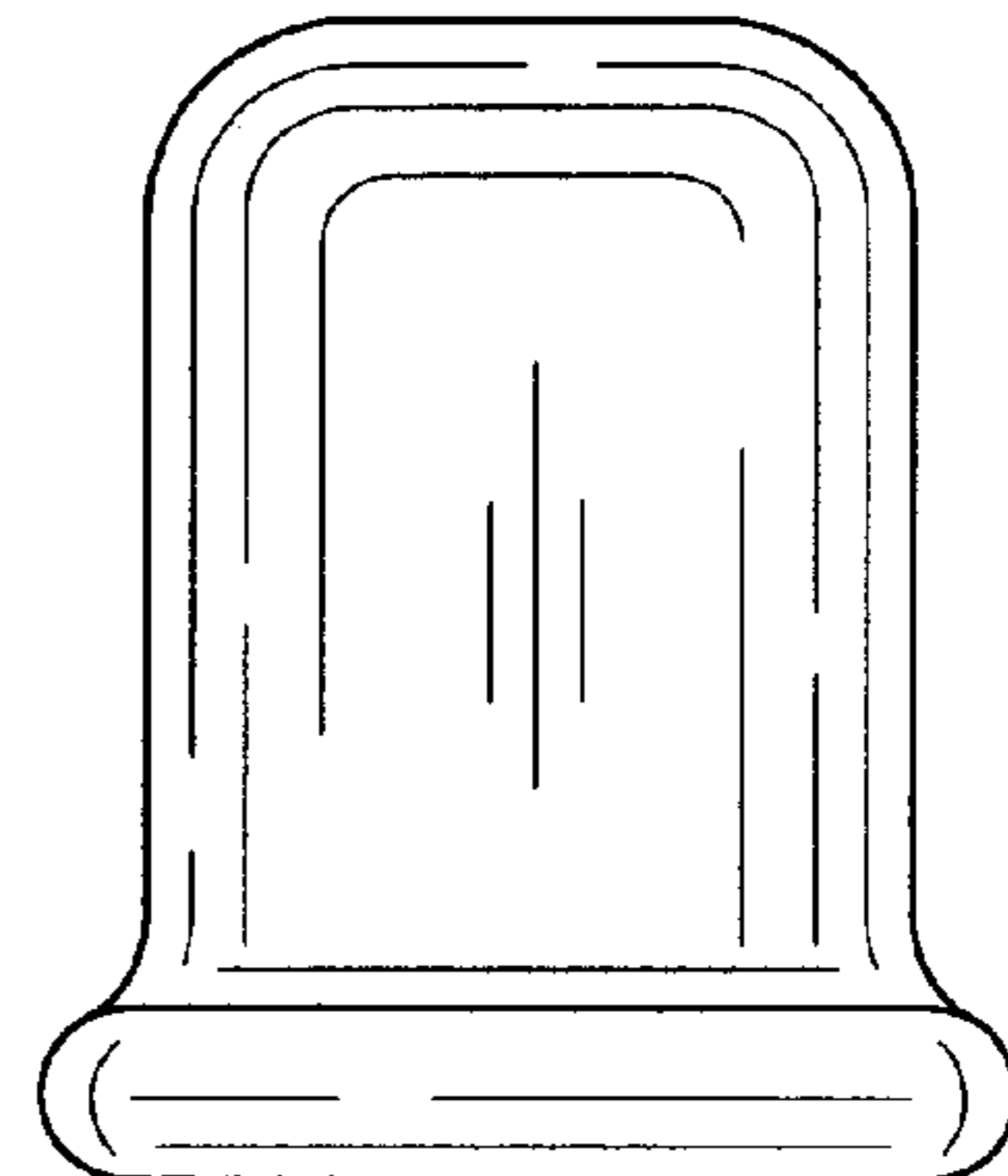
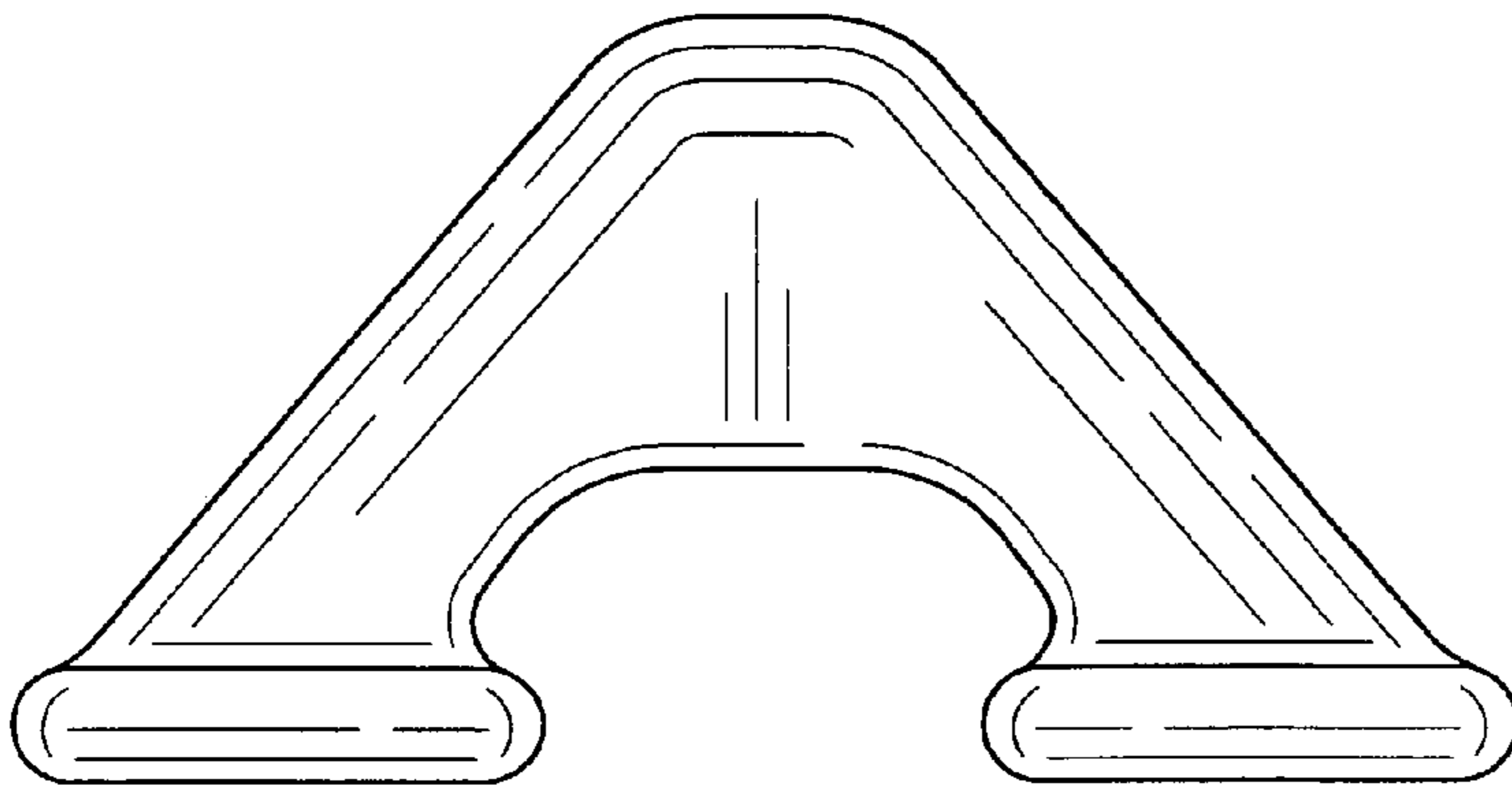
FIG. 1 is a front elevation of my new pillow, the rear elevation being identical;

FIG. 2 is a right end elevation, the left side elevation being identical thereto;

FIG. 3 is a bottom plan view; and,

FIG. 4 is a top plan view.

1 Claim, 1 Drawing Sheet



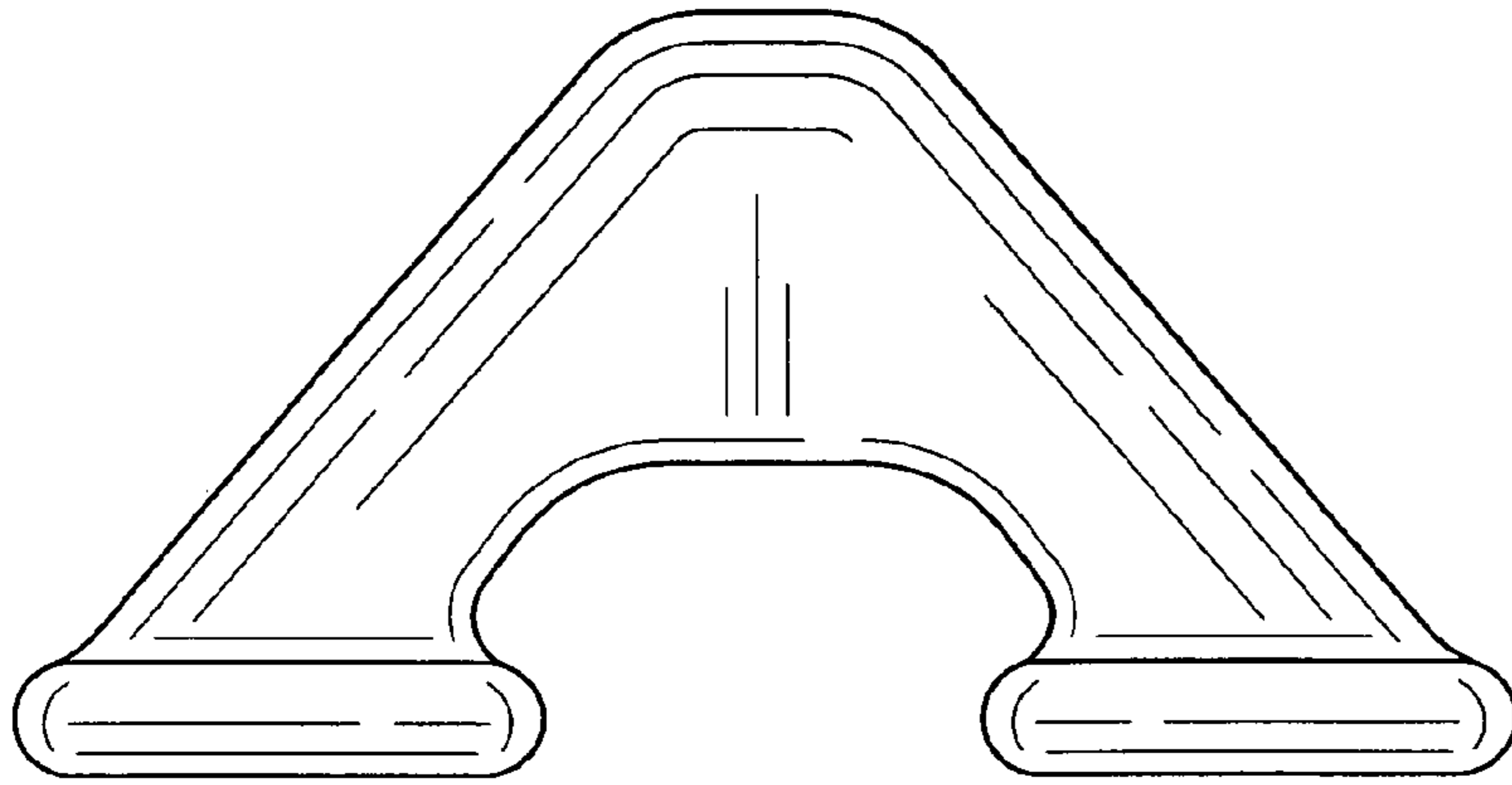


FIG. 1

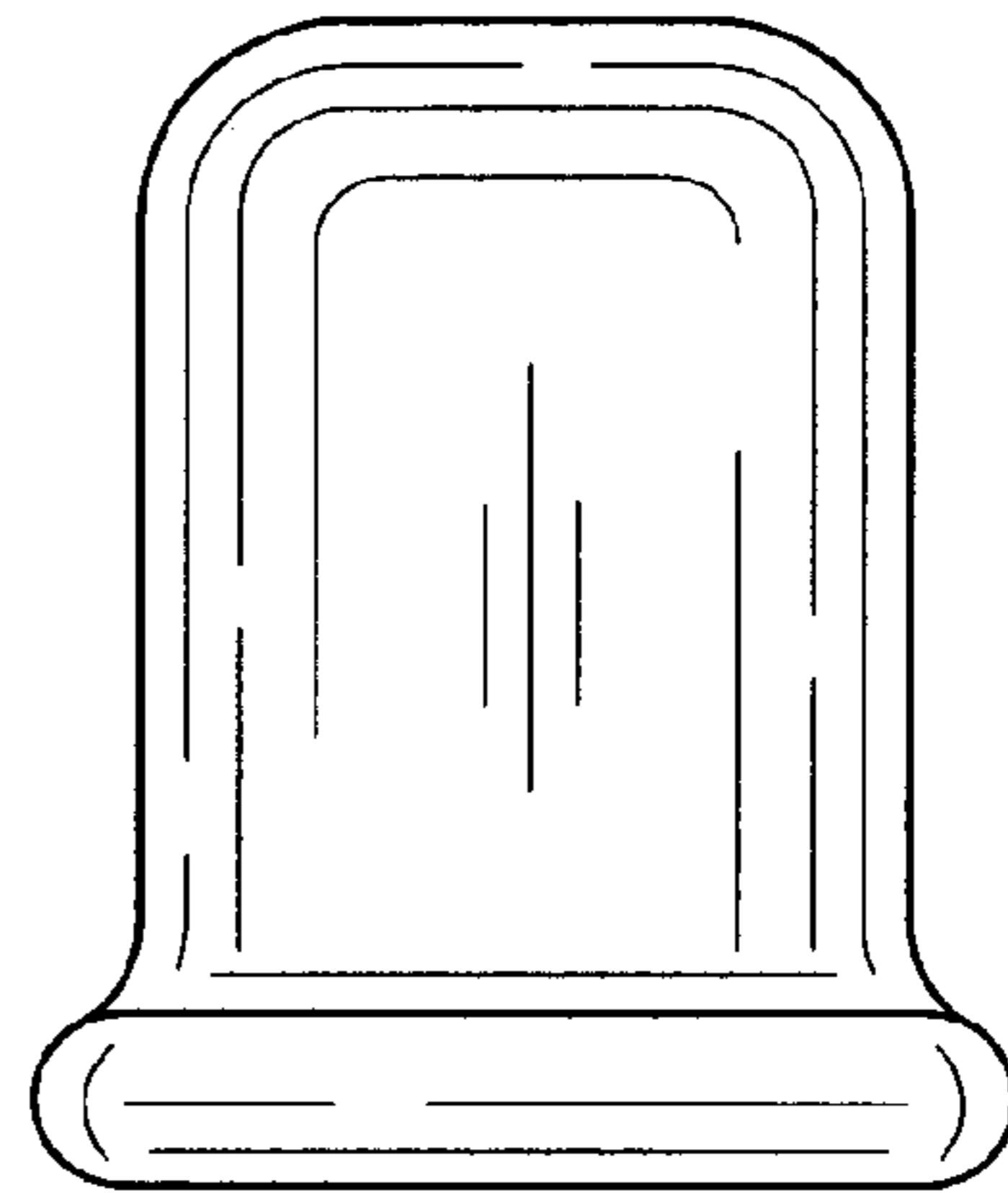


FIG. 2

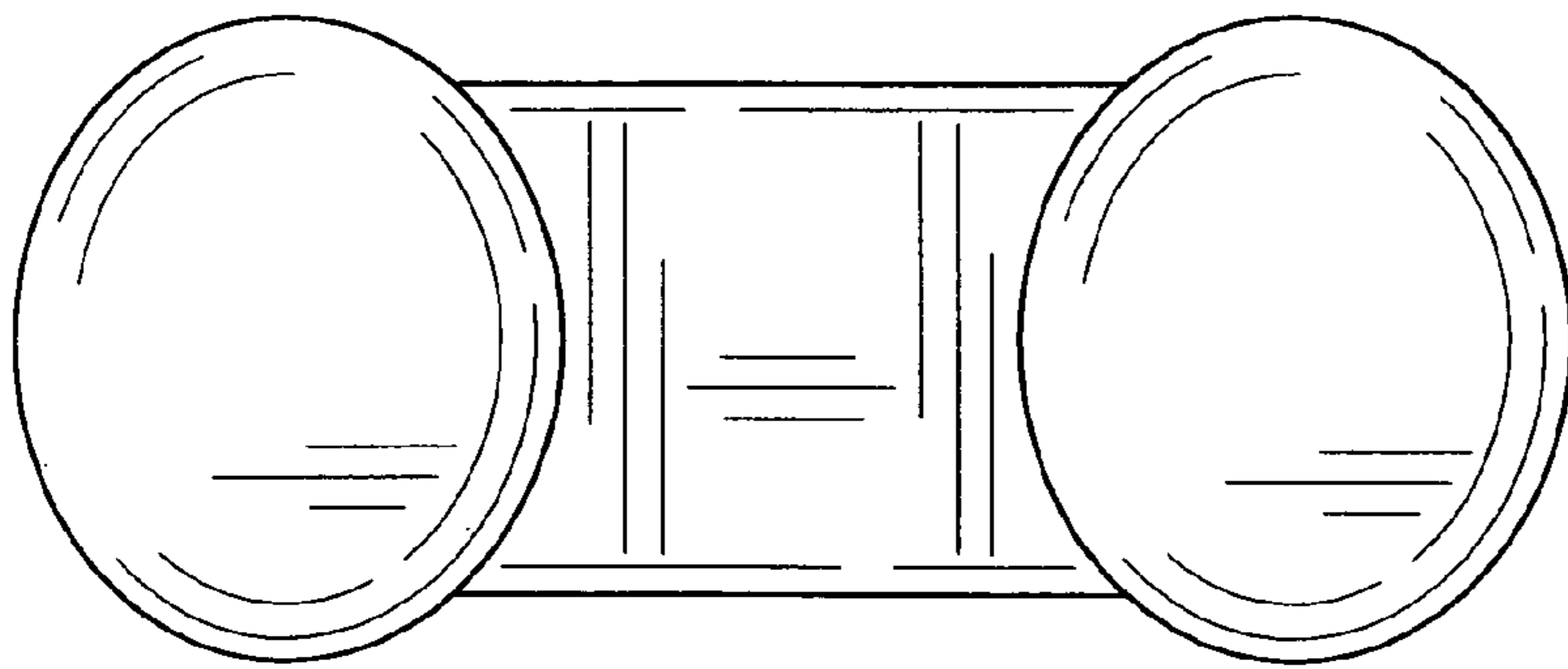


FIG. 3

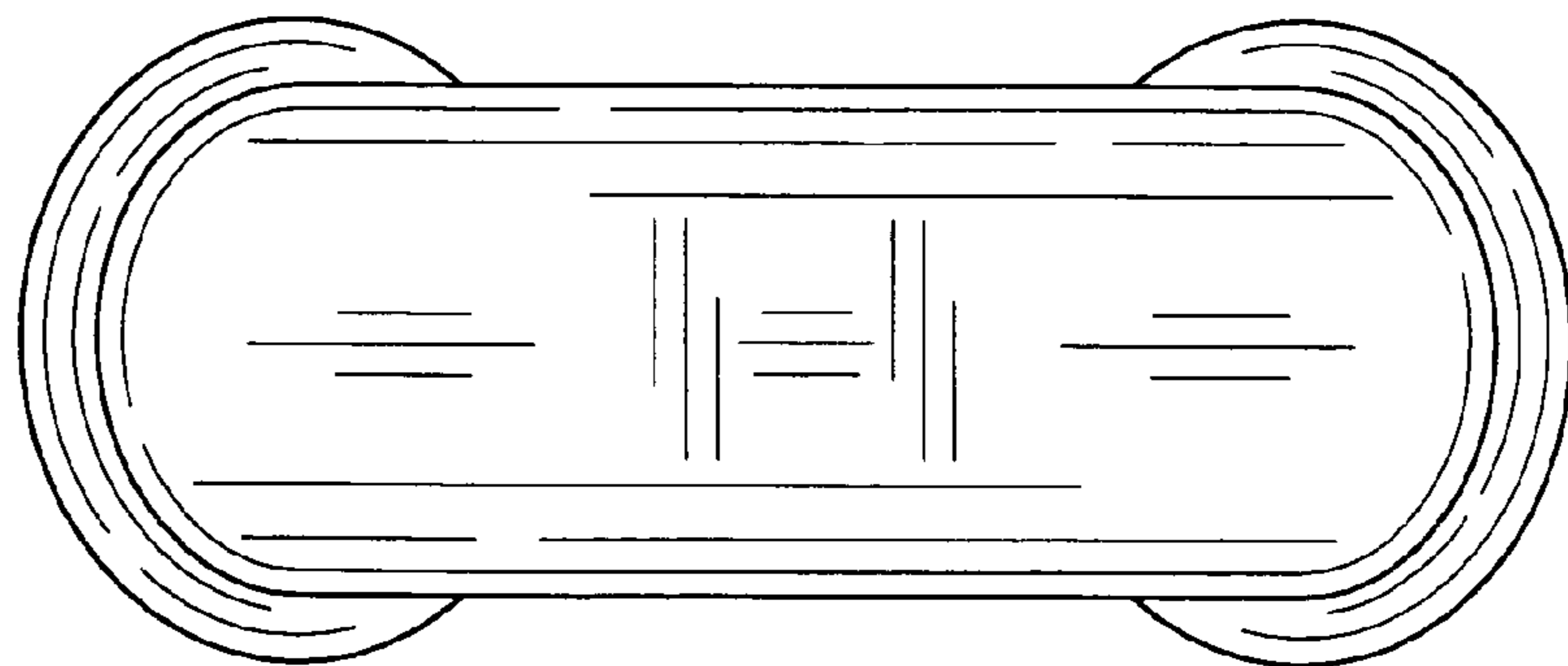


FIG. 4