



US00D602296S

(12) **United States Design Patent**
Olesen et al.

(10) **Patent No.:** **US D602,296 S**

(45) **Date of Patent:** **** Oct. 20, 2009**

(54) **ACCESSORY FOR WINDOWS**

(75) Inventors: **Bent Ekfeldt Olesen**, København S (DK); **Hans Gram Andersen**, Sdr. Felding (DK)

(73) Assignee: **VKR Holding A/S**, Horsholm (DK)

(**) Term: **14 Years**

(21) Appl. No.: **29/300,932**

(22) Filed: **May 30, 2008**

(30) **Foreign Application Priority Data**

Jan. 10, 2008 (EM) 000856547

(51) **LOC (9) Cl.** **06-10**

(52) **U.S. Cl.** **D6/575**

(58) **Field of Classification Search** D6/575,
D6/576, 577, 578, 579, 580, 581; 160/23.1,
160/84.01, 84.04, 84.05, 84.06, 89, 107,
160/111, 113, 115, 133, 166.1, 168.1 R, 178.1 R,
160/179, 180, 181, 199, 230, 231.1, 237,
160/295, 269, 279, 348; D5/52, 60; 408/105;
139/424, 426 R

See application file for complete search history.

(56) **References Cited**

U.S. PATENT DOCUMENTS

D453,087 S * 1/2002 Møller D6/575
D502,625 S * 3/2005 Smith et al. D6/575
D530,965 S * 10/2006 Roberts D6/575
D533,003 S * 12/2006 Yu et al. D6/575
D549,027 S * 8/2007 Malkan et al. D6/575

D566,446 S * 4/2008 Malkan D6/575
D568,082 S * 5/2008 Bohlen D6/575
D568,662 S * 5/2008 Bohlen D6/575

* cited by examiner

Primary Examiner—Philip S Hyder

Assistant Examiner—Barbara B Lohr

(74) *Attorney, Agent, or Firm*—Merek, Blackmon & Voorhees, LLC

(57) **CLAIM**

The ornamental design for an accessory for windows, as shown and described.

DESCRIPTION

FIG. 1 is a perspective view taken from the top, front and right side of an accessory for windows showing the design;

FIG. 2 is a perspective view taken from the top, rear and left side of the accessory for windows of FIG. 1;

FIG. 3 is a front elevation of the accessory for windows of FIG. 1;

FIG. 4 is a rear elevation of the accessory for windows of FIG. 1;

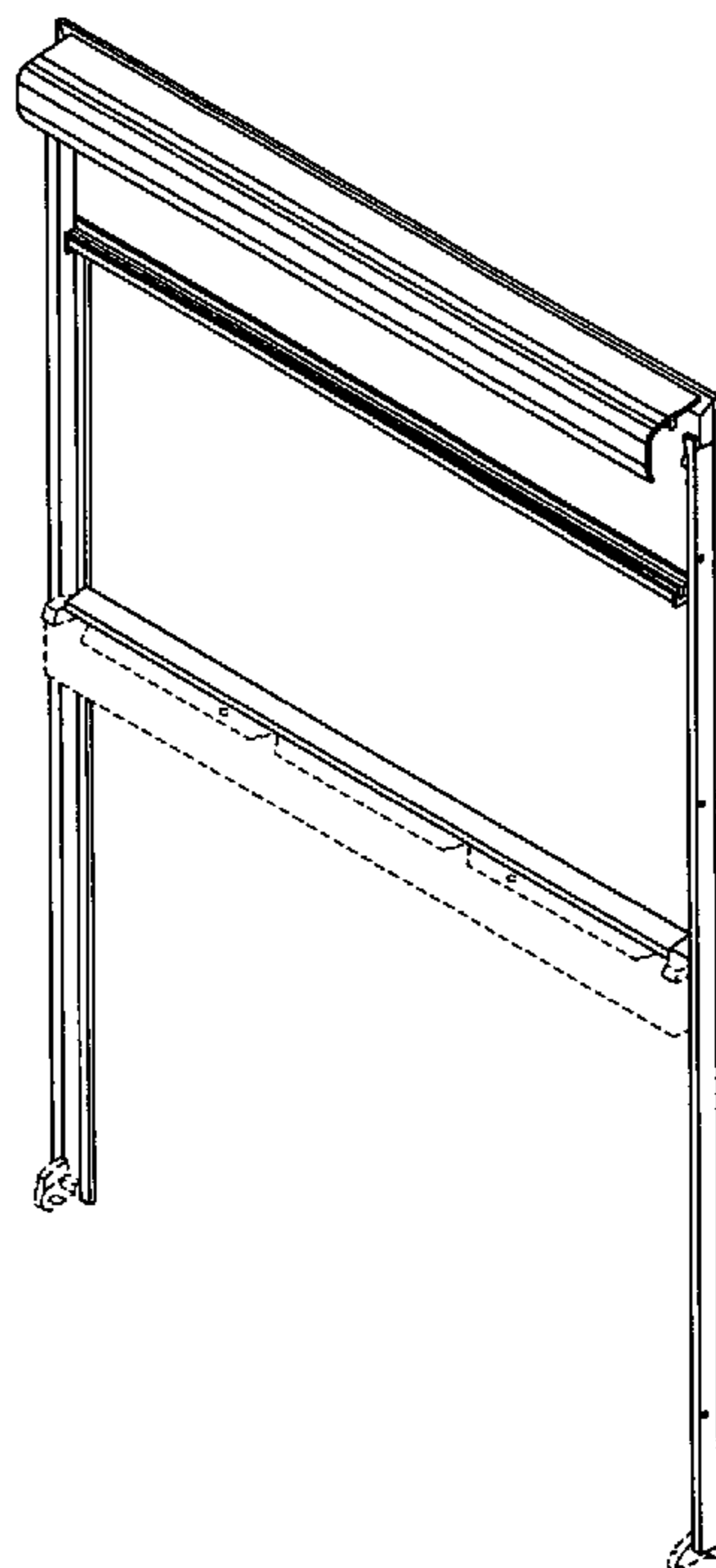
FIG. 5 is a right side elevation of the accessory for windows of FIG. 1;

FIG. 6 is a left side elevation of the accessory for windows of FIG. 1;

FIG. 7 is a top plan view of the accessory for windows of FIG. 1; and,

FIG. 8 is a bottom plan view of the accessory for windows of FIG. 1.

1 Claim, 8 Drawing Sheets



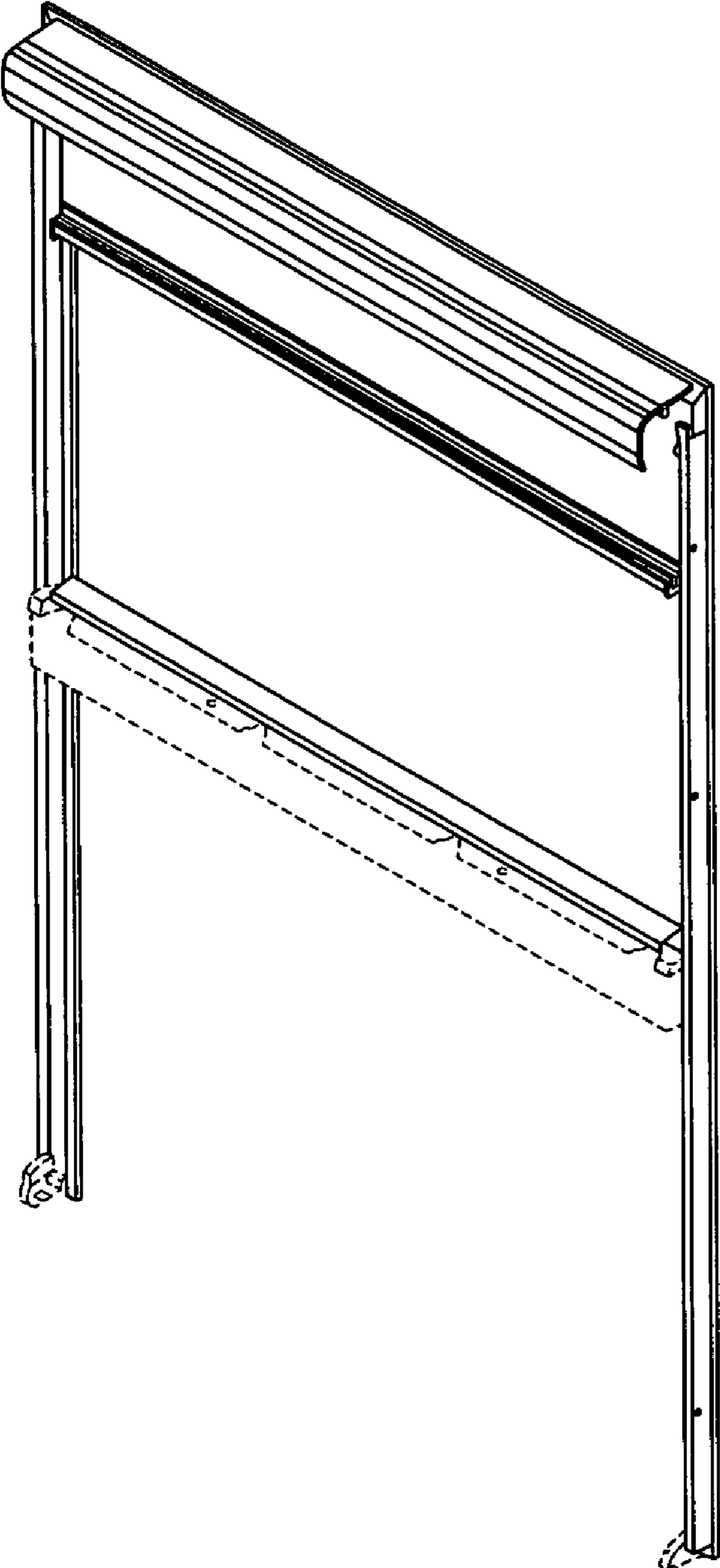


FIG. 1

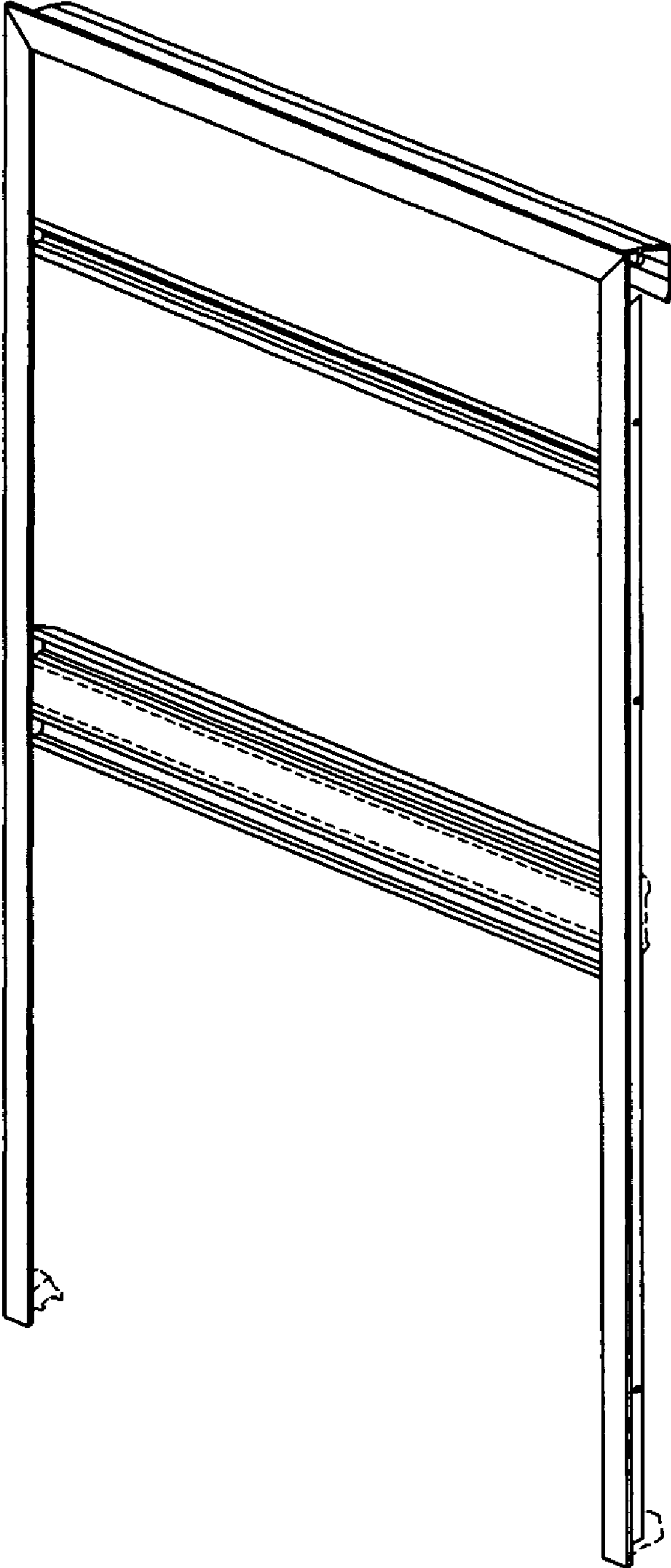


FIG. 2

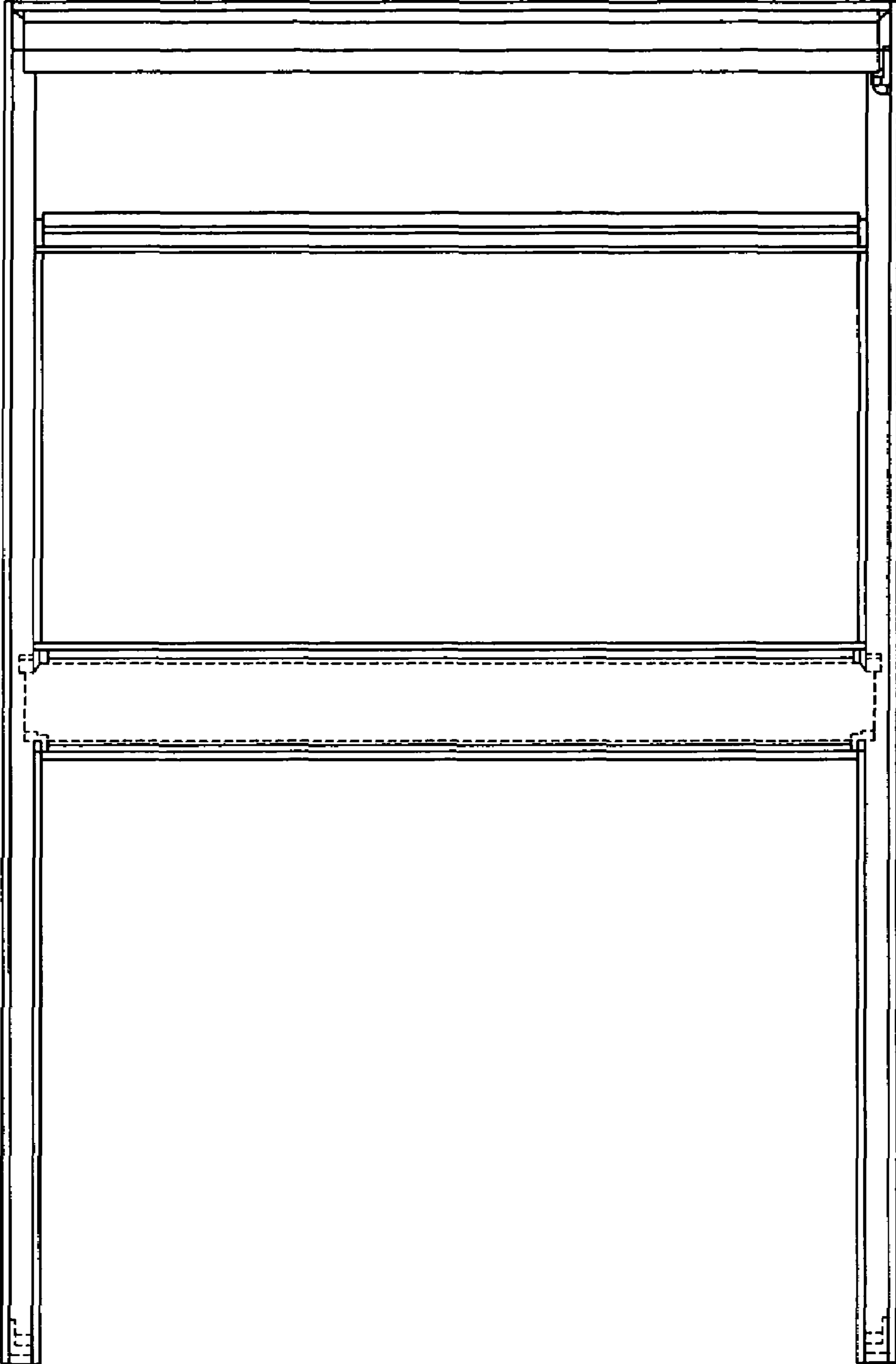


FIG. 3

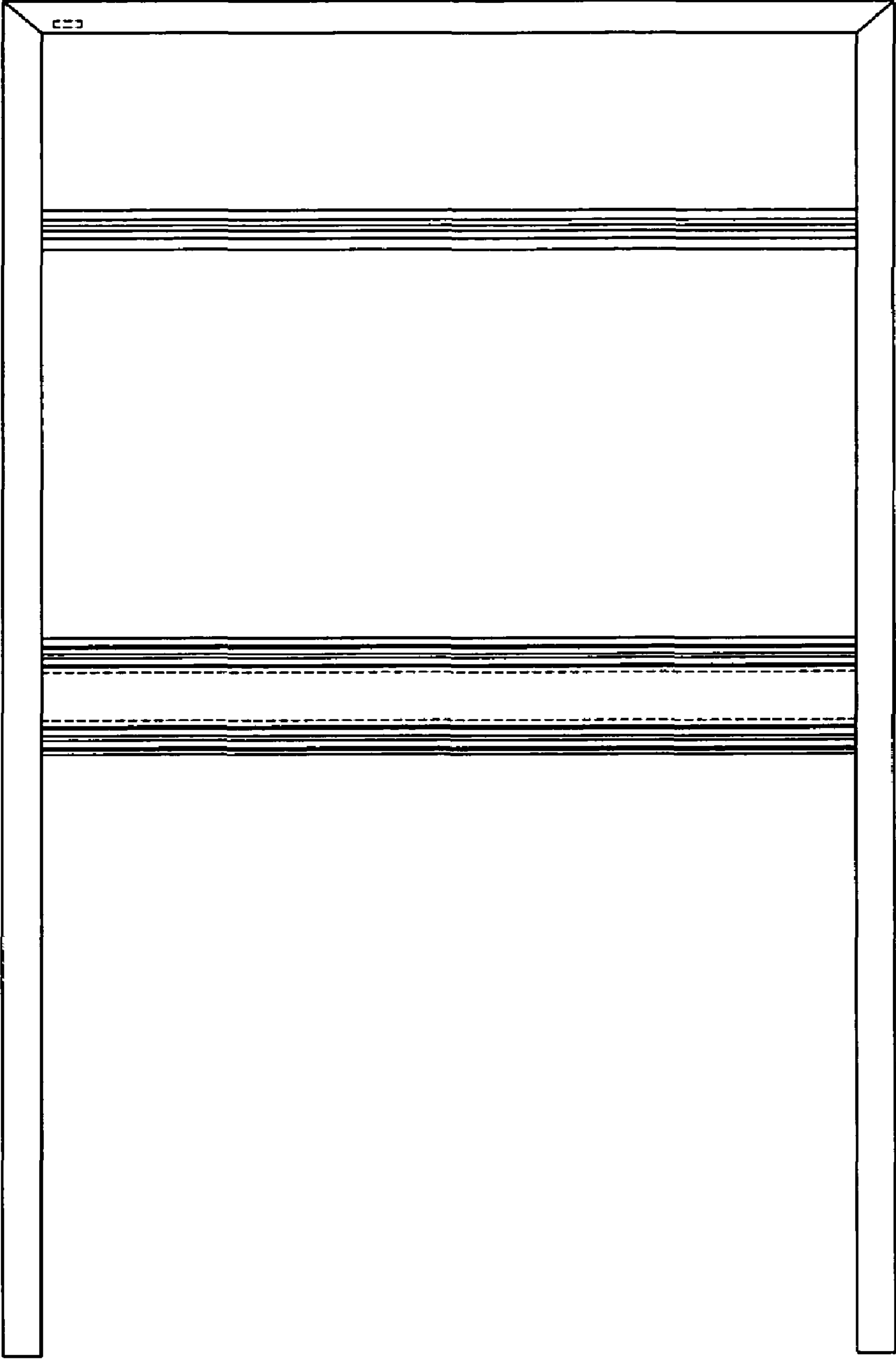


FIG. 4



FIG. 5



FIG. 6

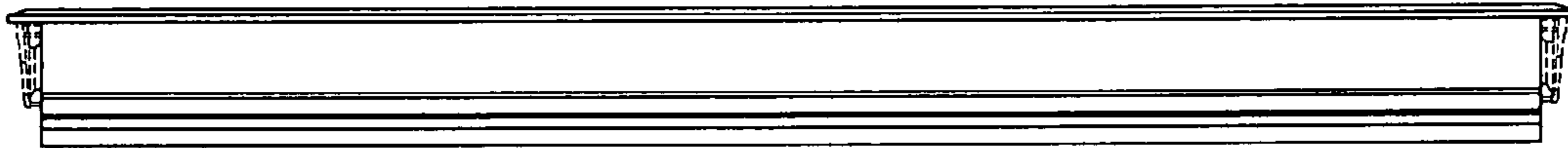


FIG. 7

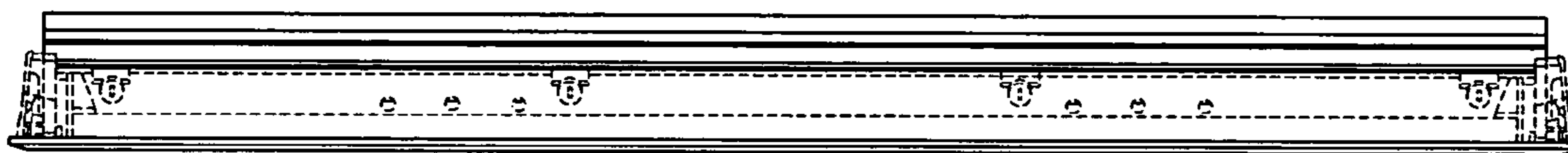


FIG. 8