



US00D602295S

(12) **United States Design Patent**  
**Ferguson**

(10) **Patent No.:** **US D602,295 S**

(45) **Date of Patent:** **\*\* Oct. 20, 2009**

(54) **JEWELRY ORGANIZER**

(76) Inventor: **Christopher Ferguson**, 173 Jones Creek Dr., Jupiter, FL (US) 33458

(\*\*) Term: **14 Years**

(21) Appl. No.: **29/328,129**

(22) Filed: **Nov. 19, 2008**

(51) **LOC (9) Cl.** ..... **06-04**

(52) **U.S. Cl.** ..... **D6/572**

(58) **Field of Classification Search** ..... D6/553,  
D6/567, 569-572; 248/309.1; D8/345, 363,  
D8/367, 371-373, 380; 206/349; 211/13.1,  
211/86.01, 87.01, 85.9

See application file for complete search history.

(56) **References Cited**

**U.S. PATENT DOCUMENTS**

D463,941 S \* 10/2002 Kerr ..... D6/572

D483,593 S \* 12/2003 Knapp ..... D6/572

D544,279 S \* 6/2007 Kivett et al. .... D6/569

D581,711 S \* 12/2008 Goodman et al. .... D6/572

\* cited by examiner

*Primary Examiner*—Brian N Vinson

(57) **CLAIM**

The ornamental design for a jewelry organizer, as shown and described.

**DESCRIPTION**

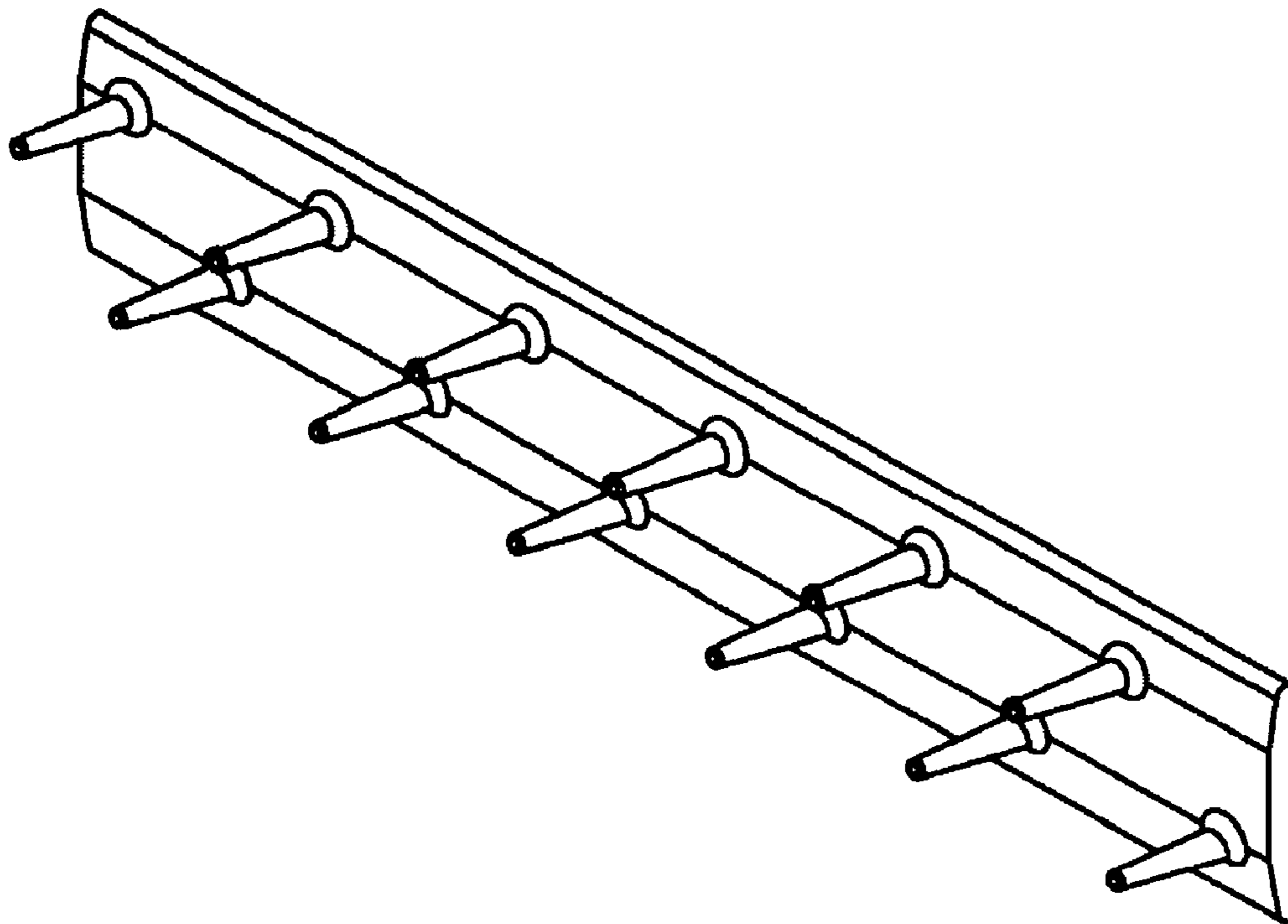
FIG. 1 is a perspective view of the jewelry organizer of the instant invention;

FIG. 2 is a front view thereof;

FIG. 3 is a top view thereof; and,

FIG. 4 is a left side view, the right side view being a mirror image thereof.

**1 Claim, 1 Drawing Sheet**



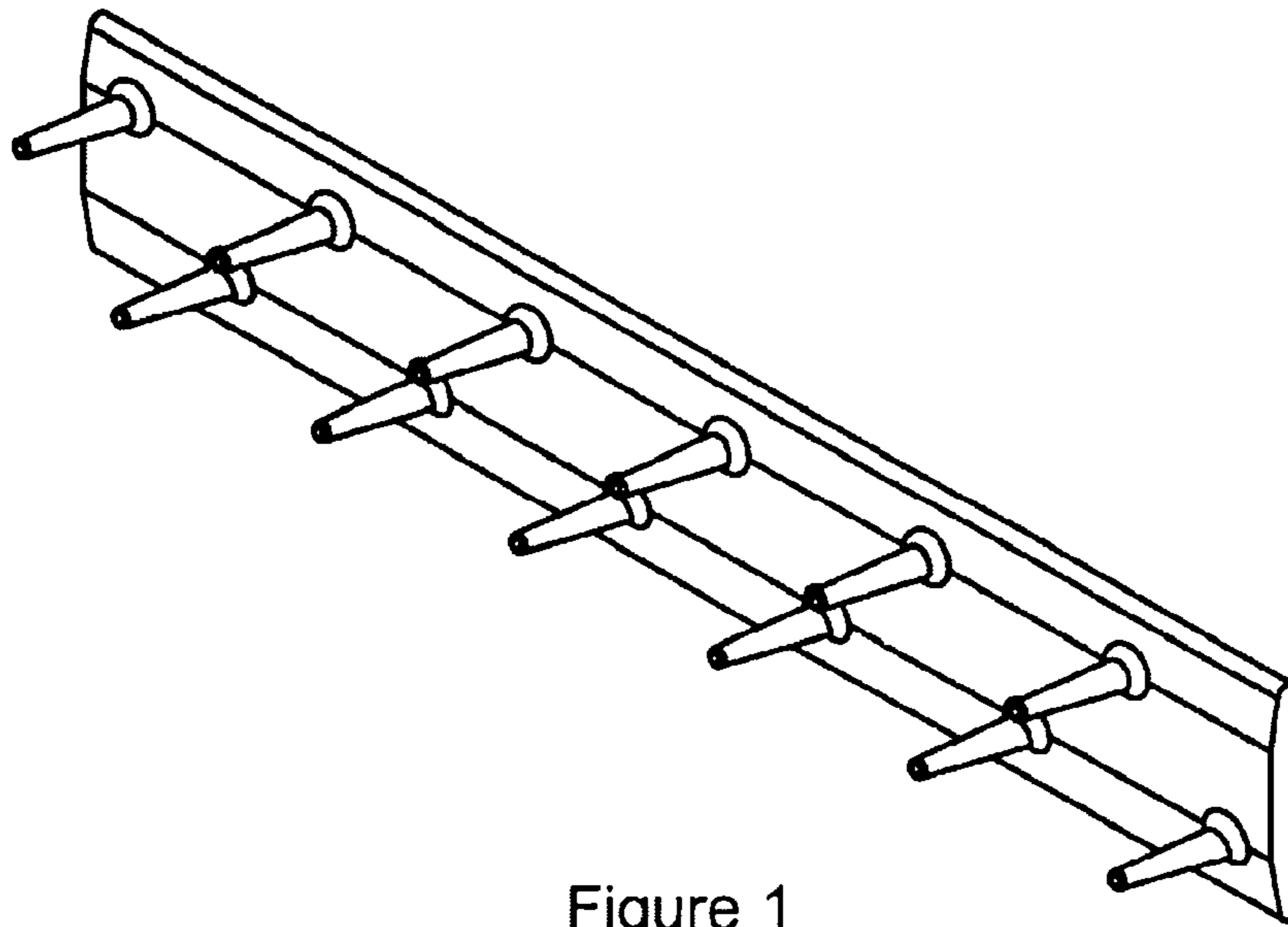


Figure 1

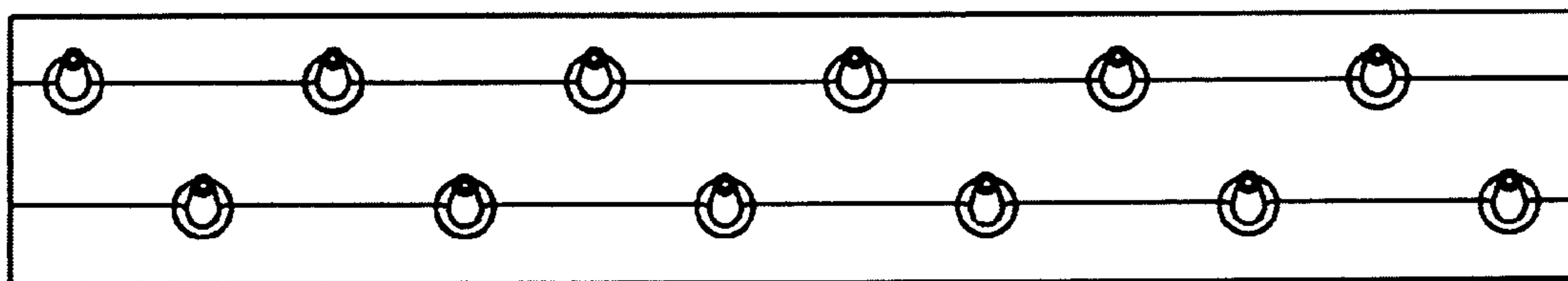


Figure 2

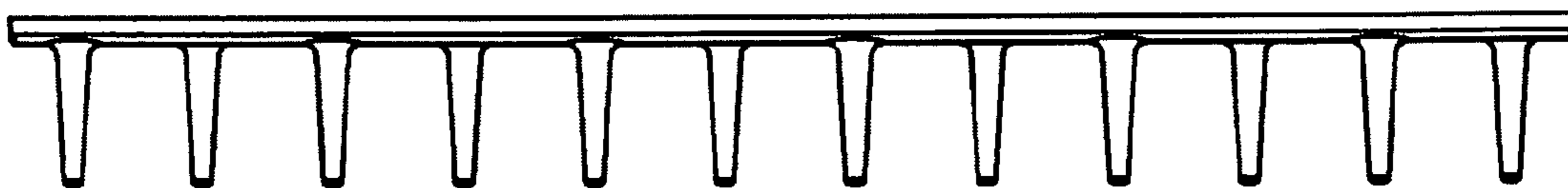


Figure 3

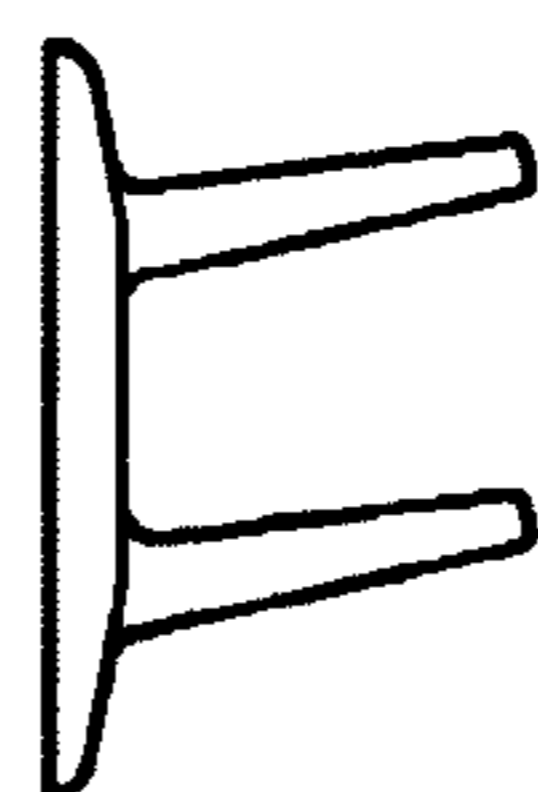


Figure 4