

US00D602294S

(12) **United States Design Patent**
Ferguson

(10) **Patent No.:** **US D602,294 S**

(45) **Date of Patent:** **** Oct. 20, 2009**

(54) **JEWELRY ORGANIZER**

(76) Inventor: **Christopher Ferguson**, 173 Jones Creek Dr., Jupiter, FL (US) 33458

(**) Term: **14 Years**

(21) Appl. No.: **29/328,107**

(22) Filed: **Nov. 19, 2008**

(51) **LOC (9) Cl.** **06-04**

(52) **U.S. Cl.** **D6/569**

(58) **Field of Classification Search** D6/553,
D6/567, 569-572; 248/309.1; D8/345, 363,
D8/367, 371-373, 380; 206/349; 211/13.1,
211/86.01, 87.01, 85.9

See application file for complete search history.

(56) **References Cited**

U.S. PATENT DOCUMENTS

D165,553 S * 12/1951 Schoor D6/572
D203,511 S * 1/1966 Gingher D6/572

D328,681 S * 8/1992 Radosevich D6/571

D469,647 S * 2/2003 Howard D6/569

D474,933 S * 5/2003 Kaposi D6/569

D547,584 S * 7/2007 Little D6/569

D553,409 S * 10/2007 Rosario D6/571

* cited by examiner

Primary Examiner—Brian N Vinson

(57) **CLAIM**

The ornamental design for a jewelry organizer, as shown and described.

DESCRIPTION

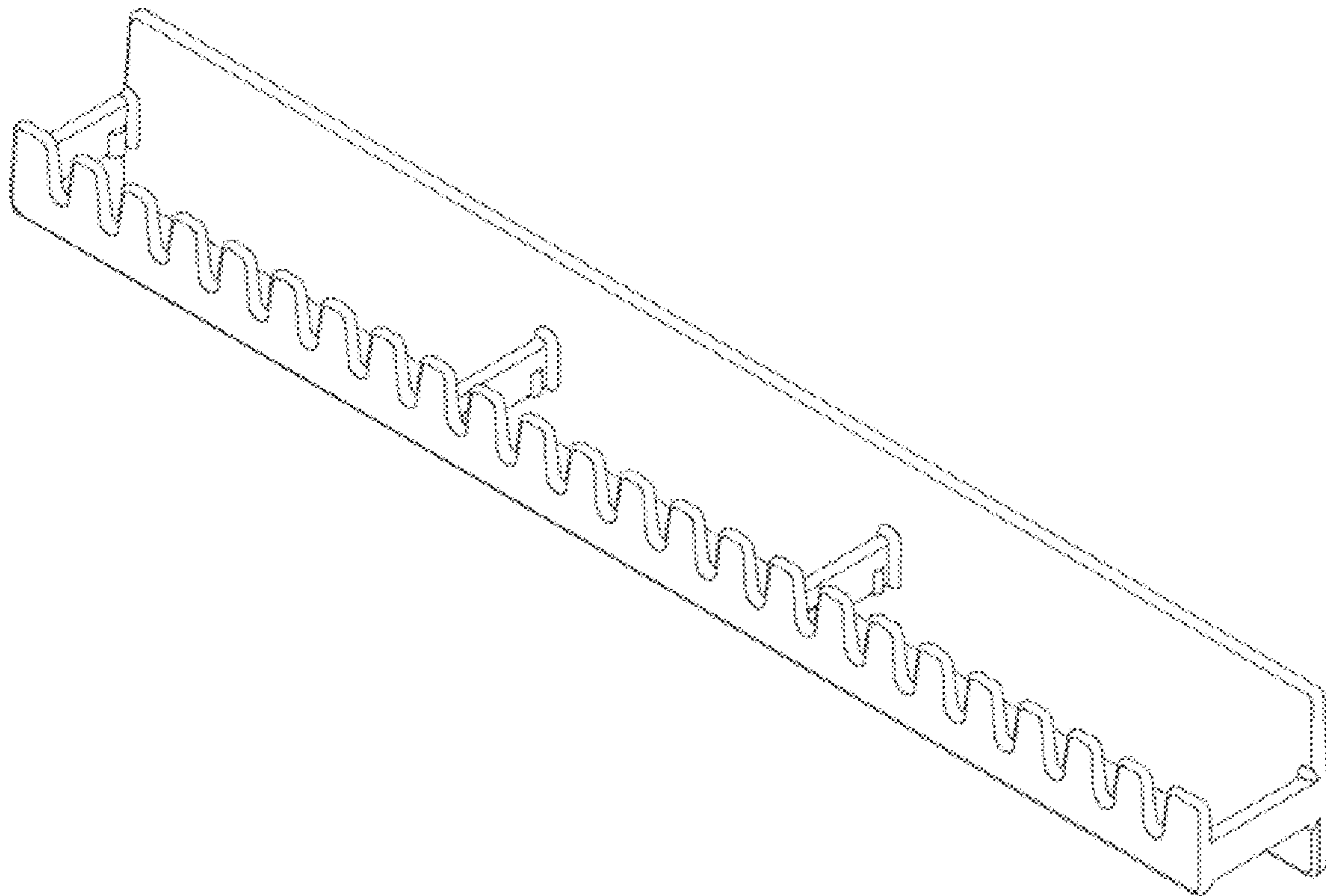
FIG. 1 is a perspective view of the jewelry organizer of the instant invention;

FIG. 2 is a front view thereof;

FIG. 3 is a top view thereof; and,

FIG. 4 is a left side view, the right side view being a mirror image thereof.

1 Claim, 1 Drawing Sheet



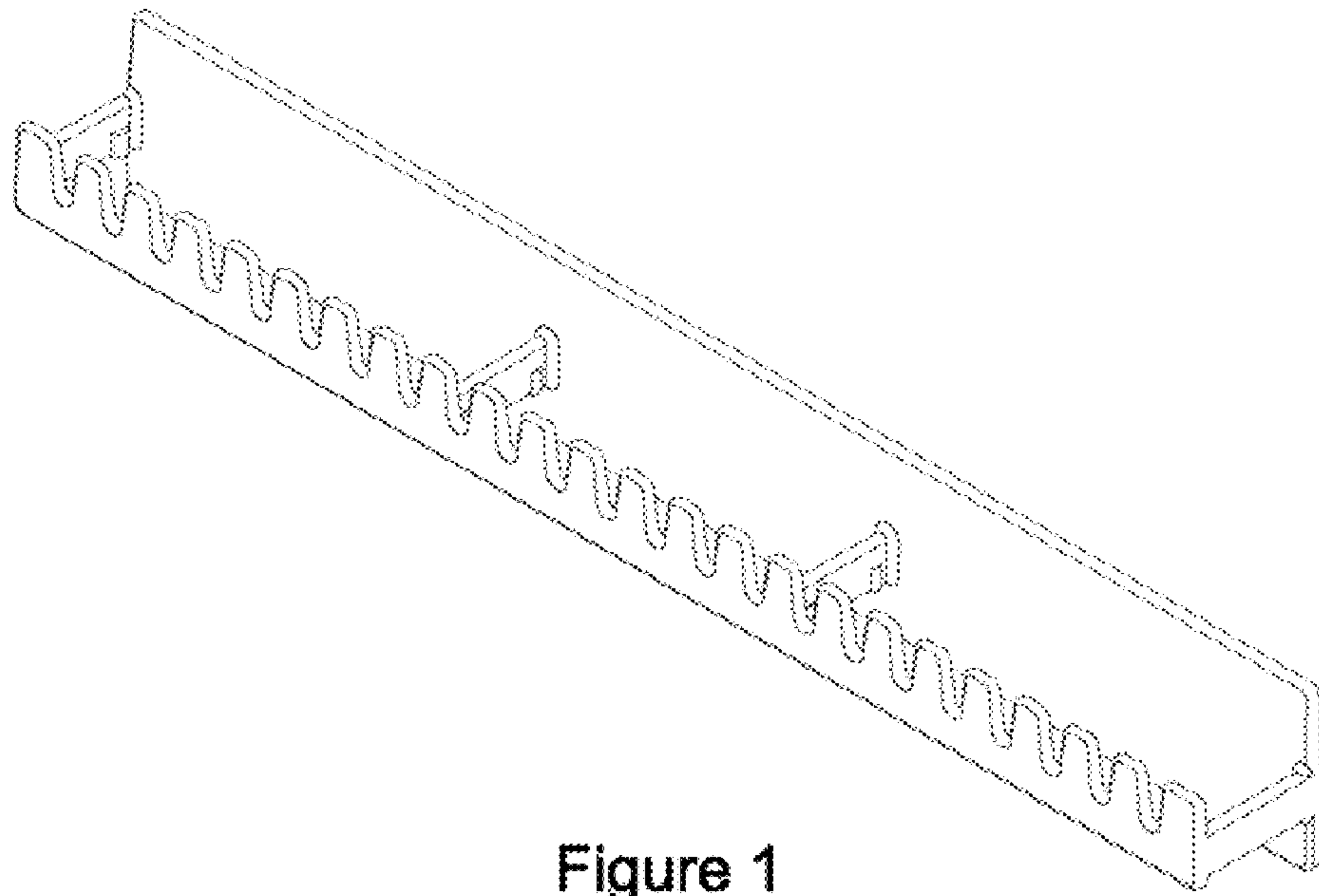


Figure 1

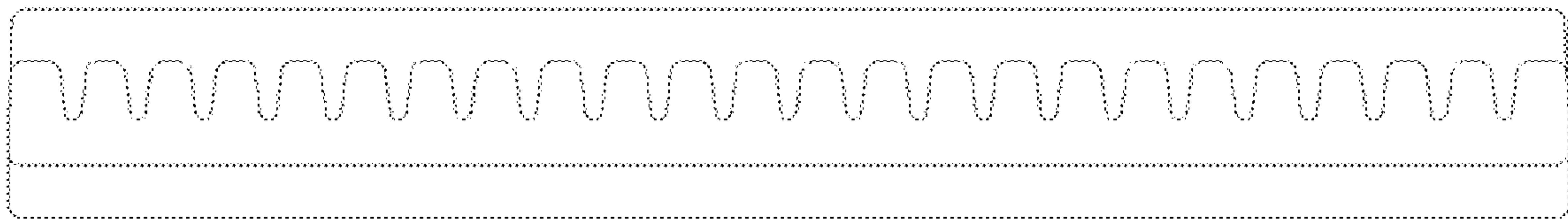


Figure 2

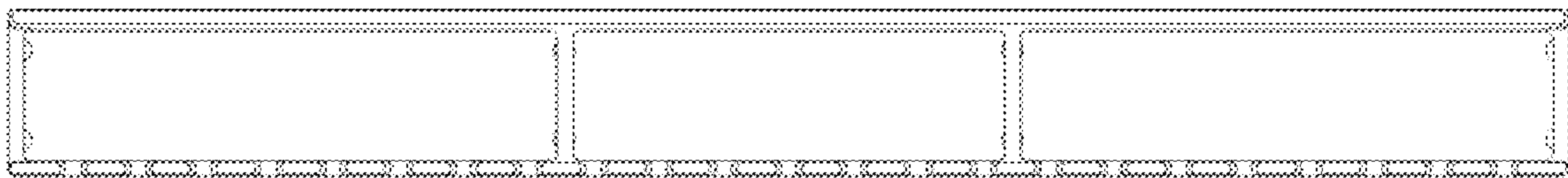


Figure 3

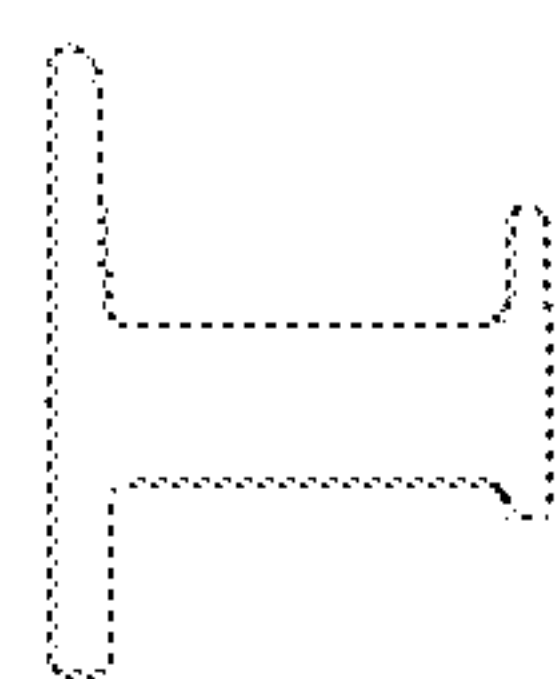


Figure 4