



US00D602292S

(12) **United States Design Patent**
Hsu

(10) **Patent No.:** **US D602,292 S**
(45) **Date of Patent:** **** Oct. 20, 2009**

(54) **SOAP SUPPLYING DEVICE**

D578,331 S * 10/2008 Tomic et al. D6/545
D594,260 S * 6/2009 Pattberg D6/545

(75) Inventor: **Chi-Chin Hsu**, Rueifang Township,
Taipei County (TW)

* cited by examiner

(73) Assignee: **Hokwang Industries Co., Ltd.**, Taipei
County (TW)

Primary Examiner—Brian N Vinson

(**) Term: **14 Years**

(57) **CLAIM**

(21) Appl. No.: **29/334,339**

The ornamental design for a soap supplying device, as shown
and described.

(22) Filed: **Mar. 25, 2009**

DESCRIPTION

(51) **LOC (9) Cl.** **23-02**

FIG. 1 is a perspective view of a soap supplying device
showing my new design thereof;

(52) **U.S. Cl.** **D6/545**

FIG. 2 is a right side elevational view thereof;

(58) **Field of Classification Search** D6/542–545;
221/208, 282, 283; 222/105, 173, 180, 181.1,
222/181.2, 181.3

FIG. 3 is a top plan view thereof;

See application file for complete search history.

FIG. 4 is a front side elevational view thereof;

FIG. 5 is a bottom plan view thereof;

(56) **References Cited**

FIG. 6 is a left side elevational view thereof;

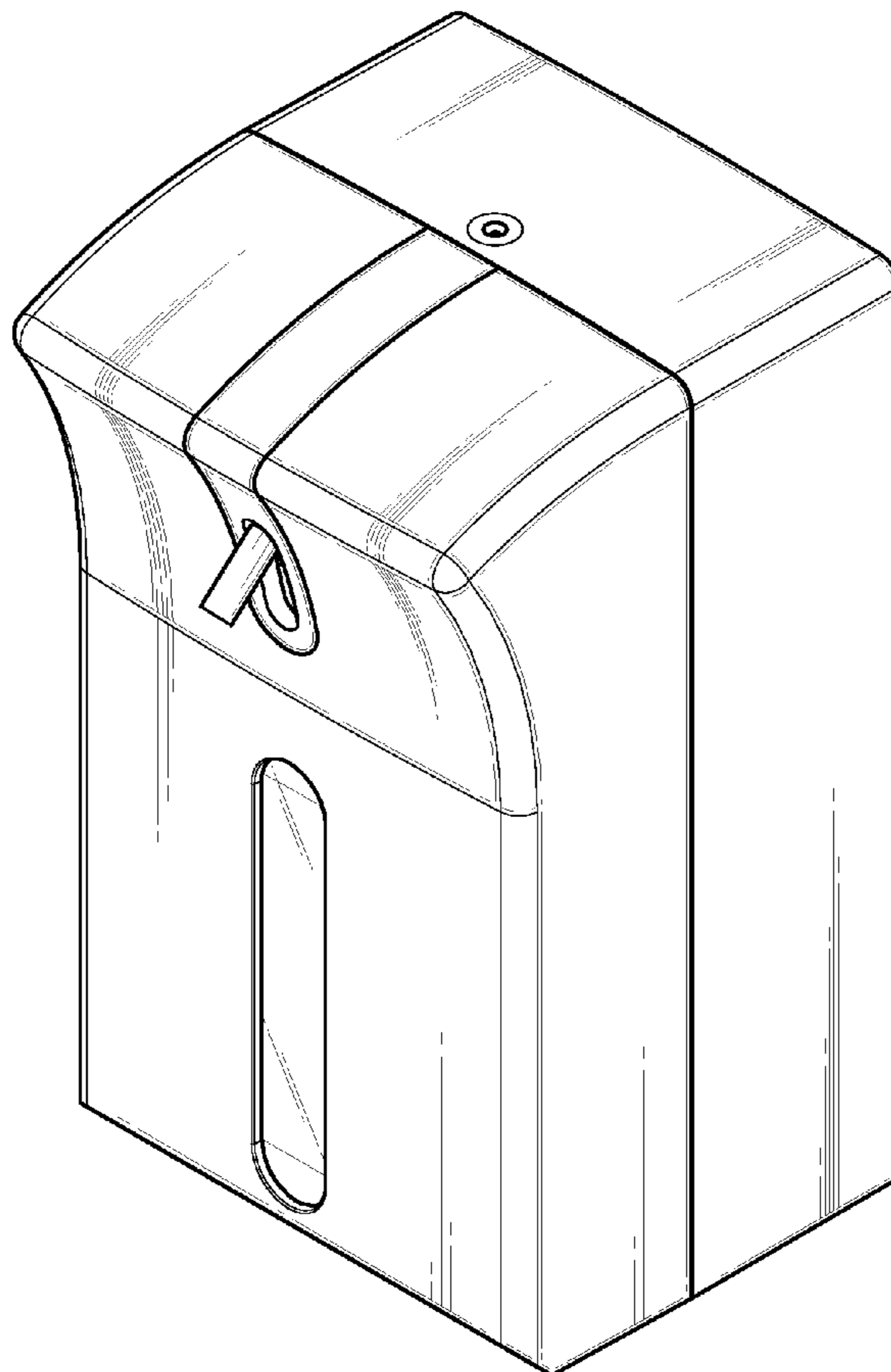
U.S. PATENT DOCUMENTS

FIG. 7 is a rear side elevational view thereof; and,

D453,648 S * 2/2002 Gottwald D6/545
D496,201 S * 9/2004 Chen D6/545
D565,336 S * 4/2008 Bickler et al. D6/545

FIG. 8 is another perspective view thereof.

1 Claim, 6 Drawing Sheets



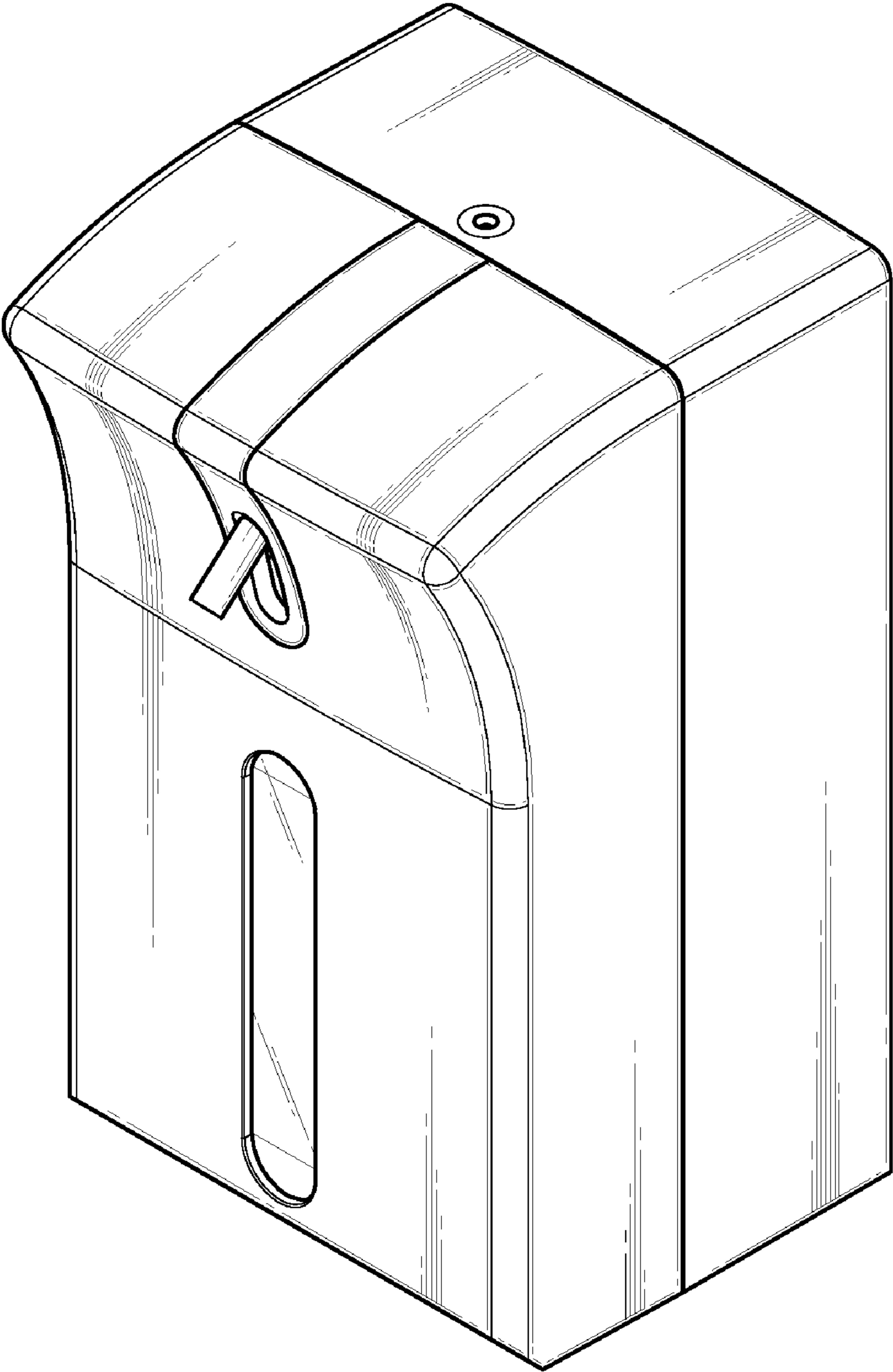


Fig. 1

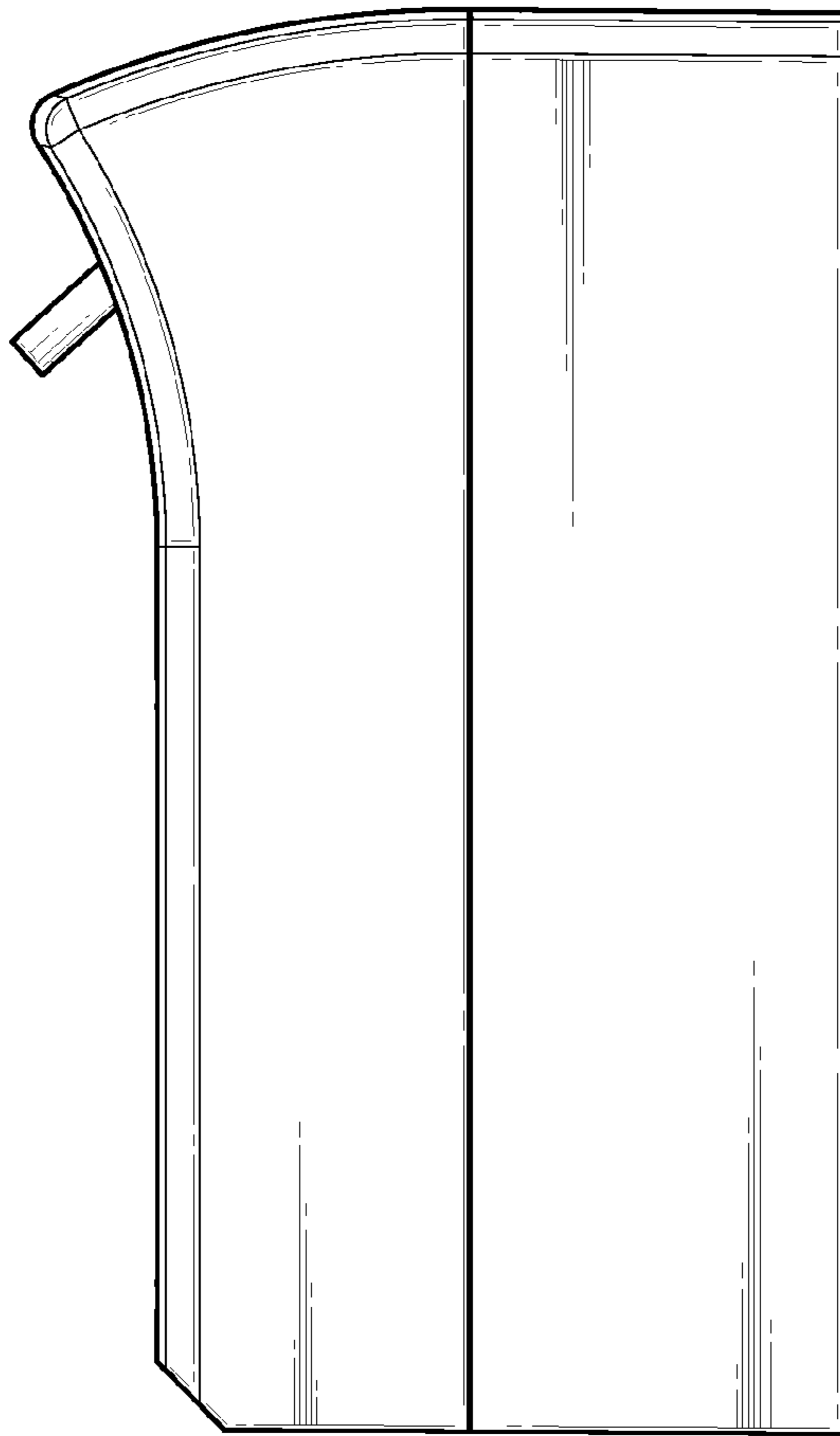


Fig. 2

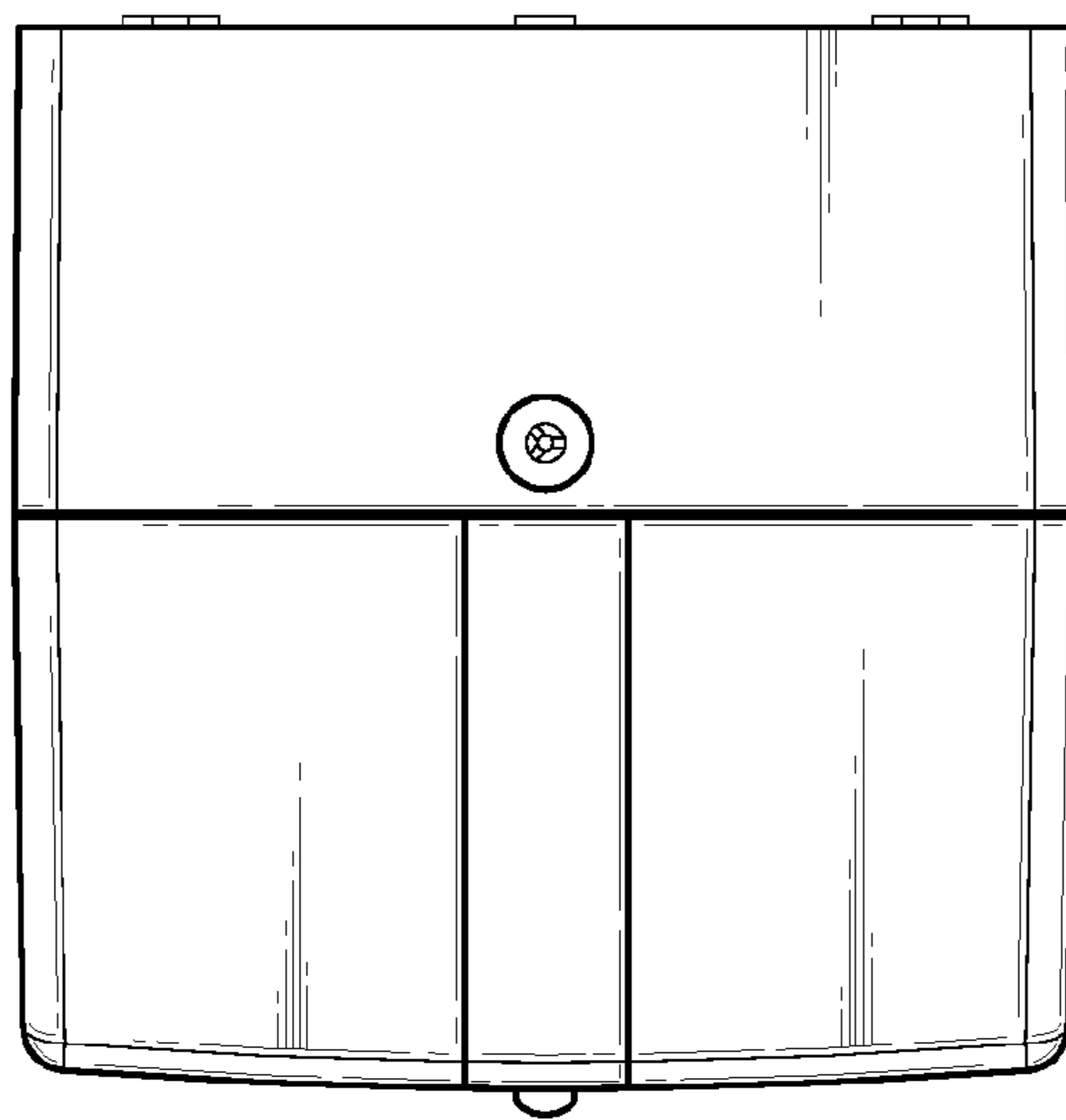


Fig. 3

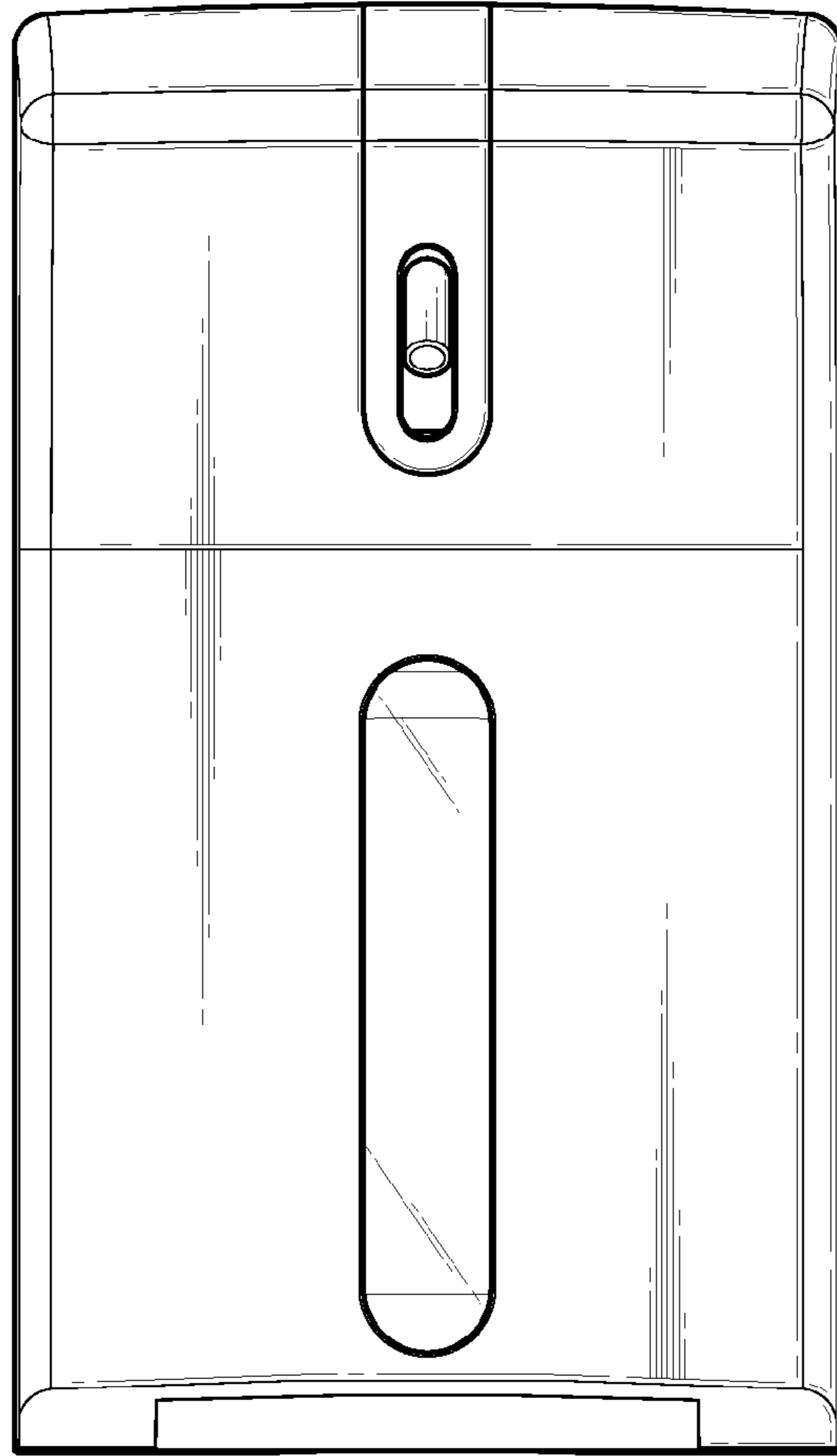


Fig. 4

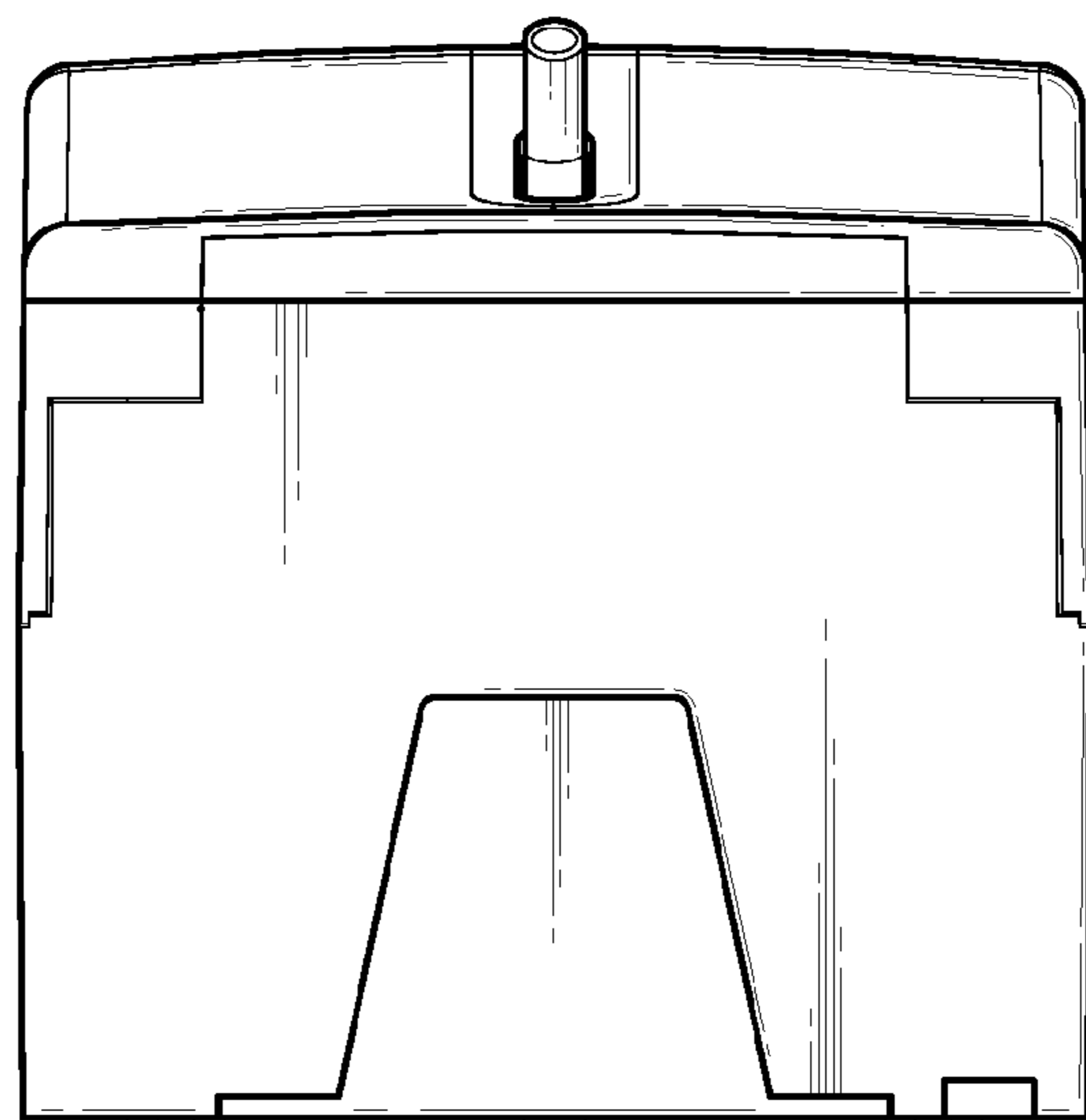


Fig. 5

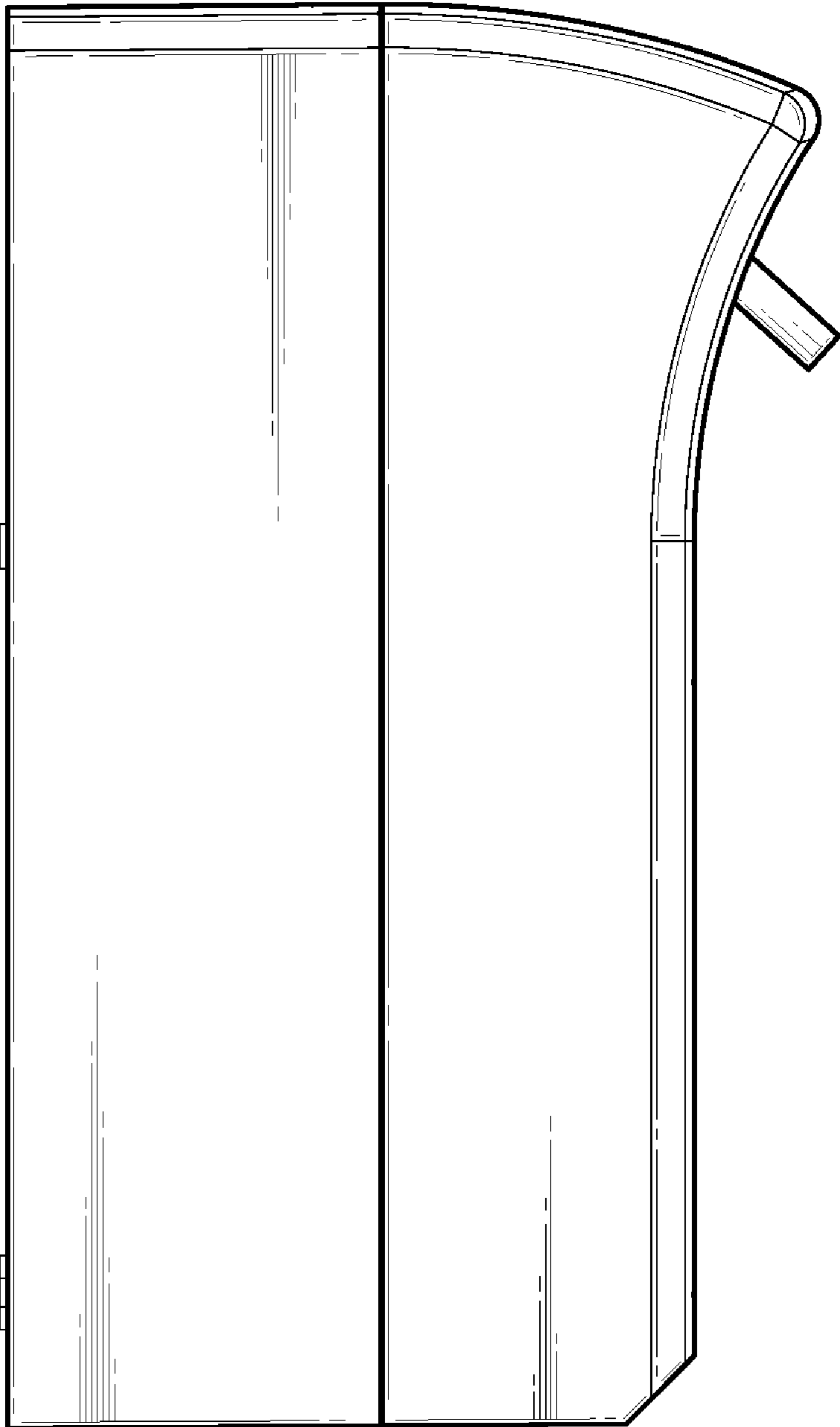


Fig. 6

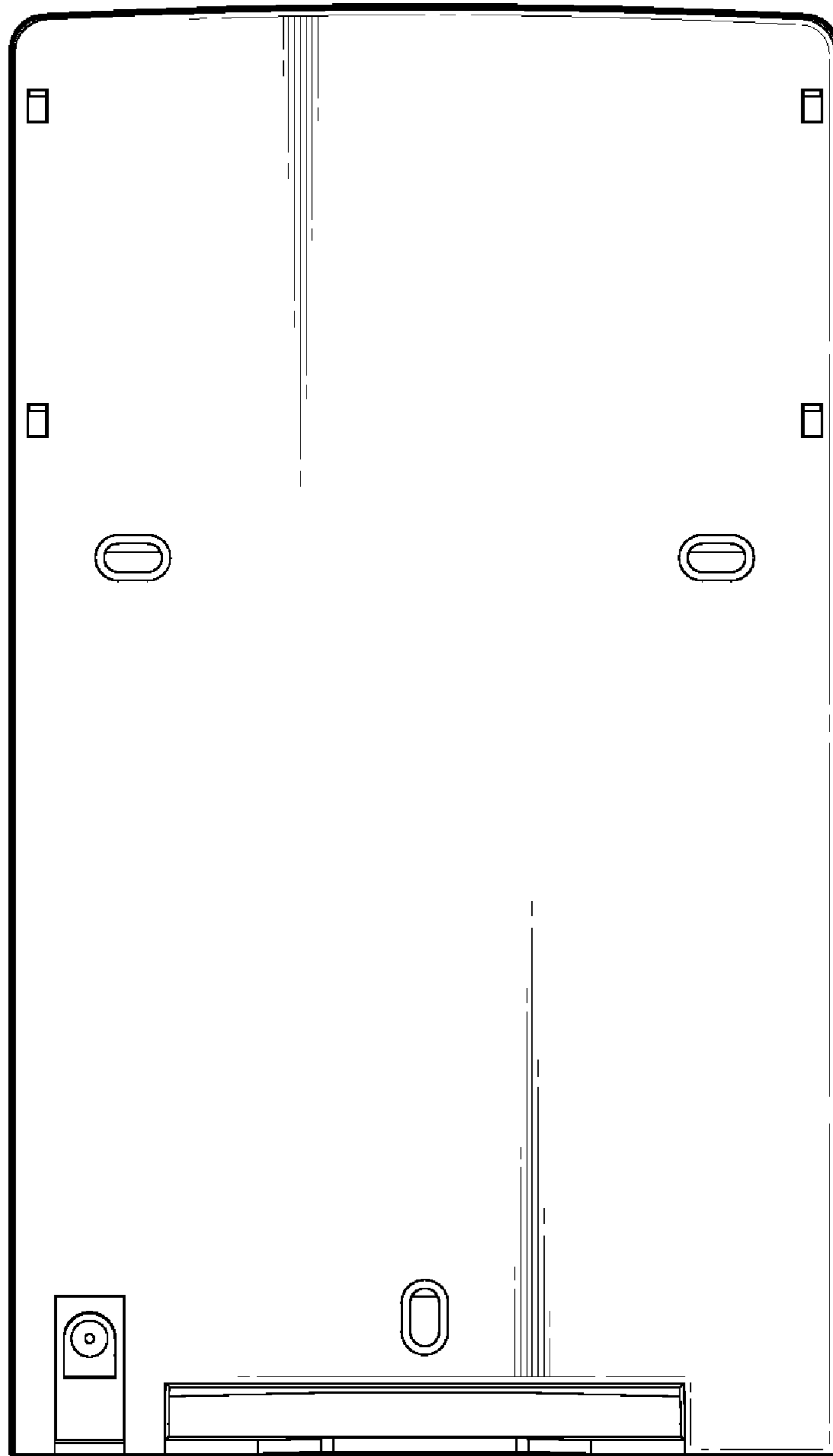


Fig. 7

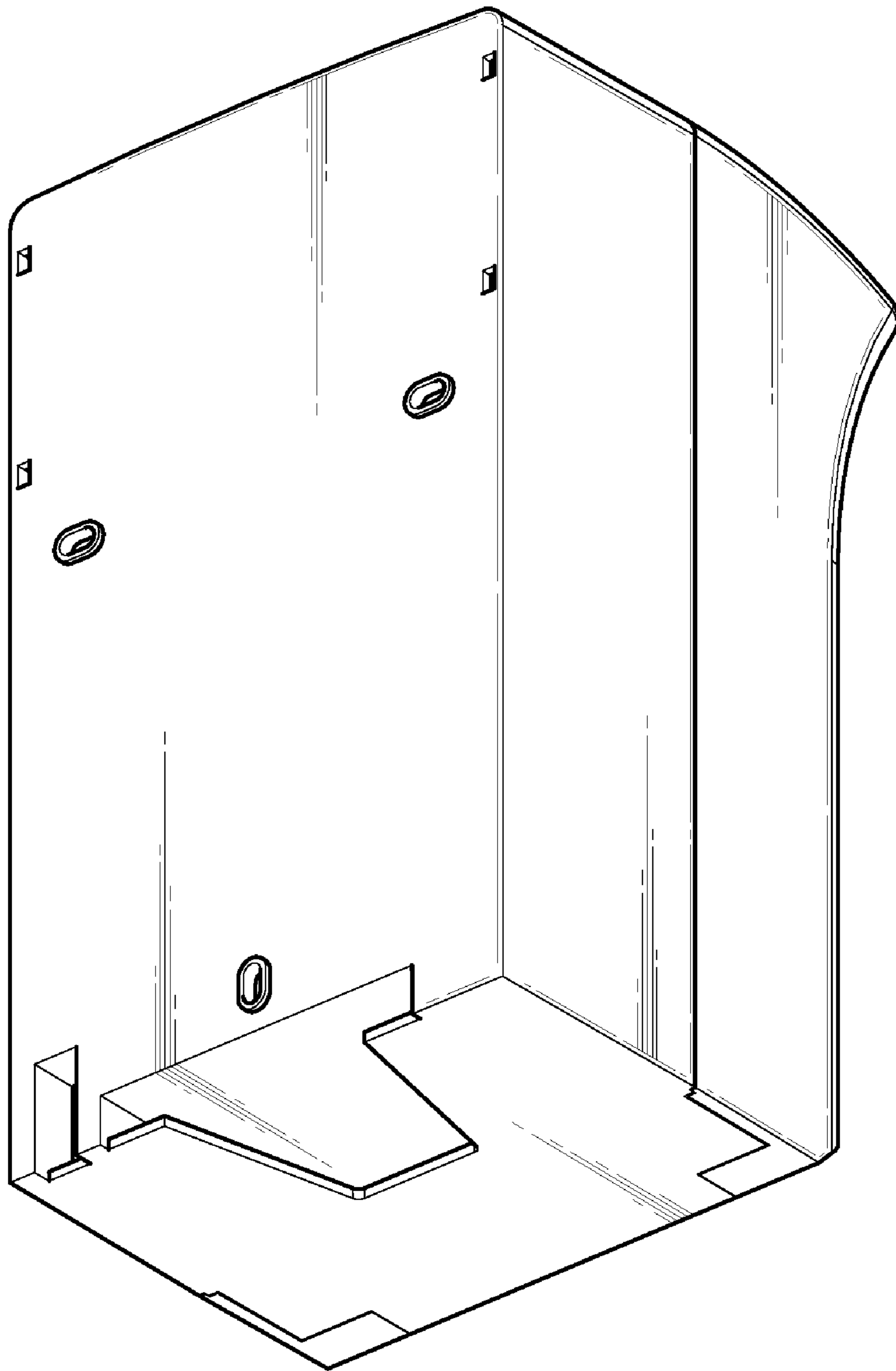


Fig. 8