



US00D602291S

(12) **United States Design Patent**  
**Yang et al.**

(10) **Patent No.:** **US D602,291 S**  
(45) **Date of Patent:** **\*\* Oct. 20, 2009**

(54) **SHOWER CADDY SOAP PUMP**

(75) Inventors: **Frank Yang**, Rancho Palos Verdes, CA (US); **Tzu-Hao Wei**, Hacienda Heights, CA (US); **Myk Lum**, Irvine, CA (US); **Adam Wade**, Rancho Santa Margarita, CA (US)

(73) Assignee: **Simplehuman LLC**, Torrance, CA (US)

(\*\*) Term: **14 Years**

(21) Appl. No.: **29/313,096**

(22) Filed: **Dec. 4, 2008**

(51) **LOC (9) Cl.** ..... **23-02**

(52) **U.S. Cl.** ..... **D6/545**

(58) **Field of Classification Search** ..... D6/542-545;  
221/208, 282, 283; 222/105, 173, 180, 181.1,  
222/181.2, 181.3

See application file for complete search history.

(56) **References Cited**

**U.S. PATENT DOCUMENTS**

- D293,402 S \* 12/1987 Petterson ..... D6/545
- D378,035 S \* 2/1997 Ophardt ..... D6/545
- D398,800 S \* 9/1998 Phillips et al. .... D6/545
- D416,418 S \* 11/1999 Kampe et al. .... D6/545
- D442,813 S \* 5/2001 Andersson ..... D6/545
- D443,782 S \* 6/2001 Kauzlarich et al. .... D6/545

- D481,896 S \* 11/2003 Shaanan ..... D6/545
- D484,721 S \* 1/2004 Chou ..... D6/545
- D552,394 S \* 10/2007 Vanlane ..... D6/545
- D563,133 S \* 3/2008 Kramer ..... D6/545
- D584,551 S \* 1/2009 Carlson ..... D6/545

\* cited by examiner

*Primary Examiner*—Brian N Vinson

(74) *Attorney, Agent, or Firm*—Liu & Liu

(57) **CLAIM**

The ornamental design for a shower caddy soap pump, as shown and described.

**DESCRIPTION**

FIG. 1 is a left perspective view of a shower caddy soap pump showing our new design;

FIG. 2 is a front view thereof;

FIG. 3 is a rear view thereof;

FIG. 4 is a right side view thereof;

FIG. 5 is a left side view thereof;

FIG. 6 is a top plan view thereof; and,

FIG. 7 is a bottom plan view thereof.

In the illustrations of the article embodying the inventive design, the portions represented in dotted lines do not form a part of the design that embodies the inventive design.

**1 Claim, 6 Drawing Sheets**

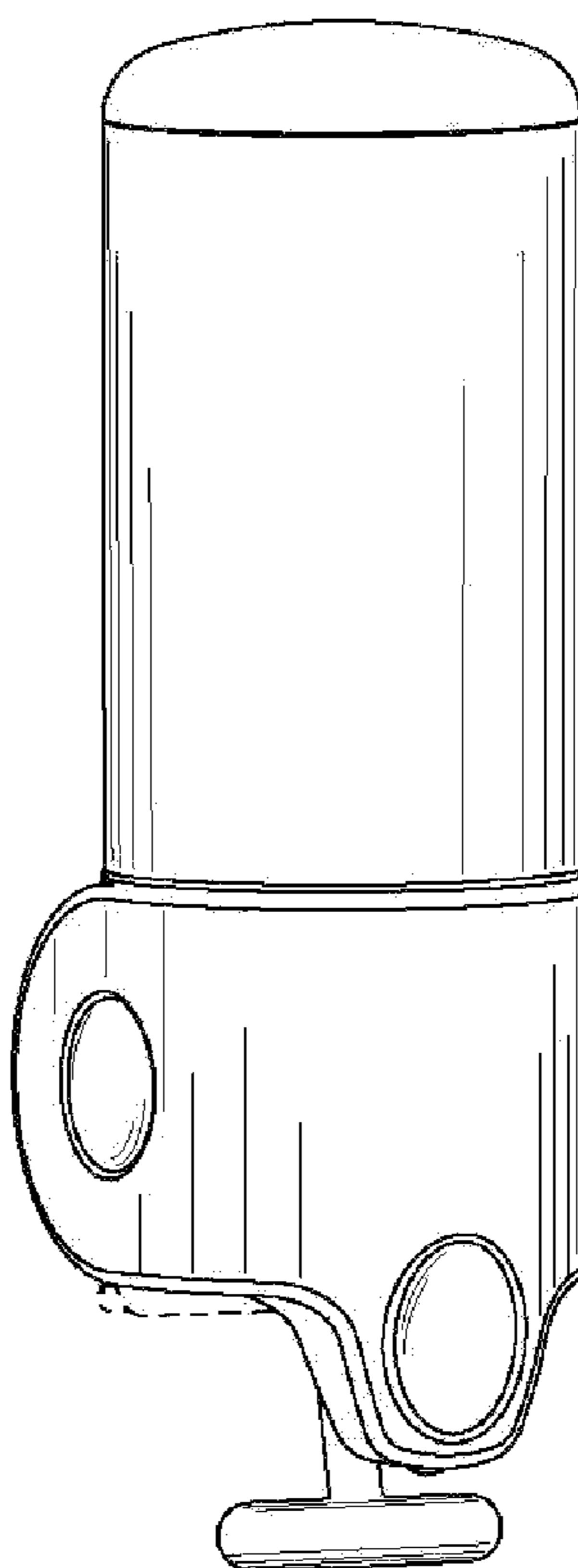


FIG. 1

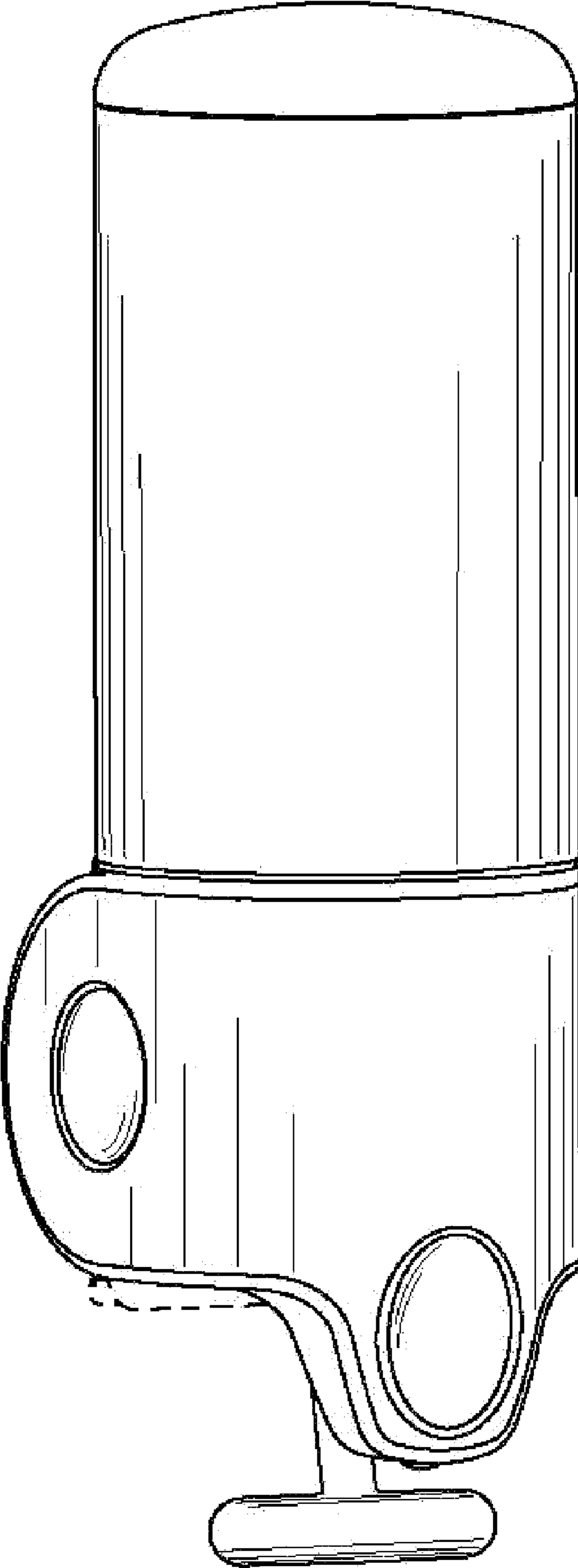


FIG. 2

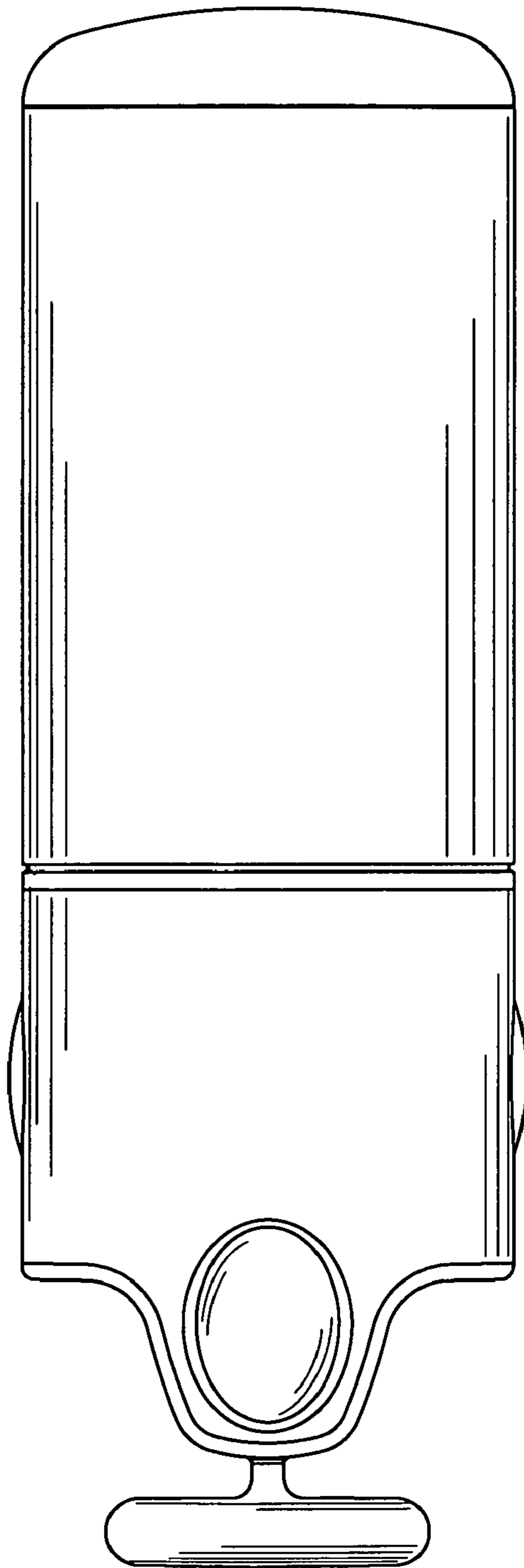


FIG. 3

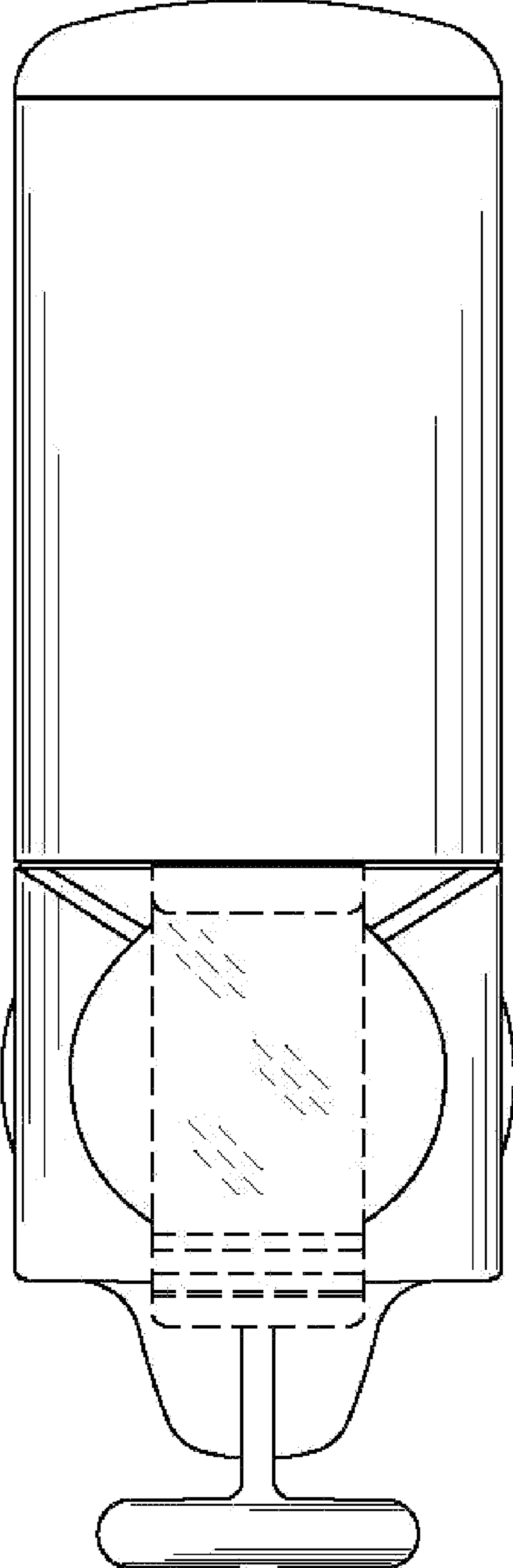


FIG. 4

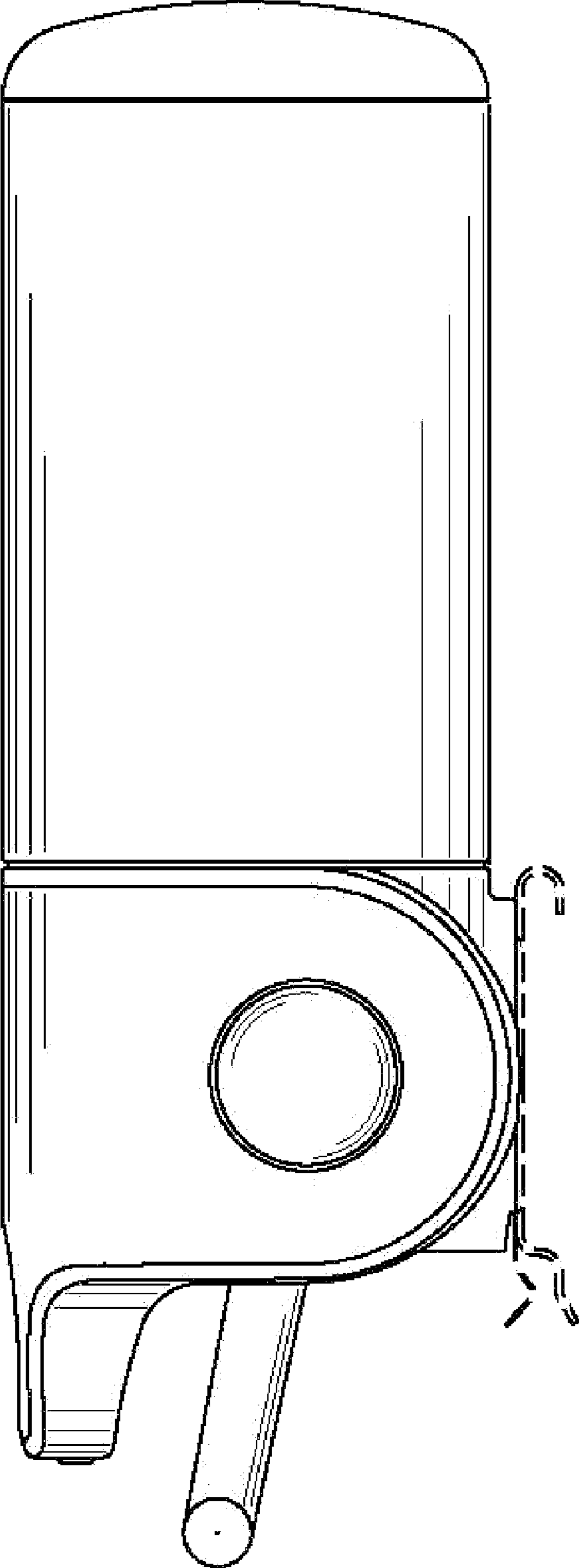


FIG. 5

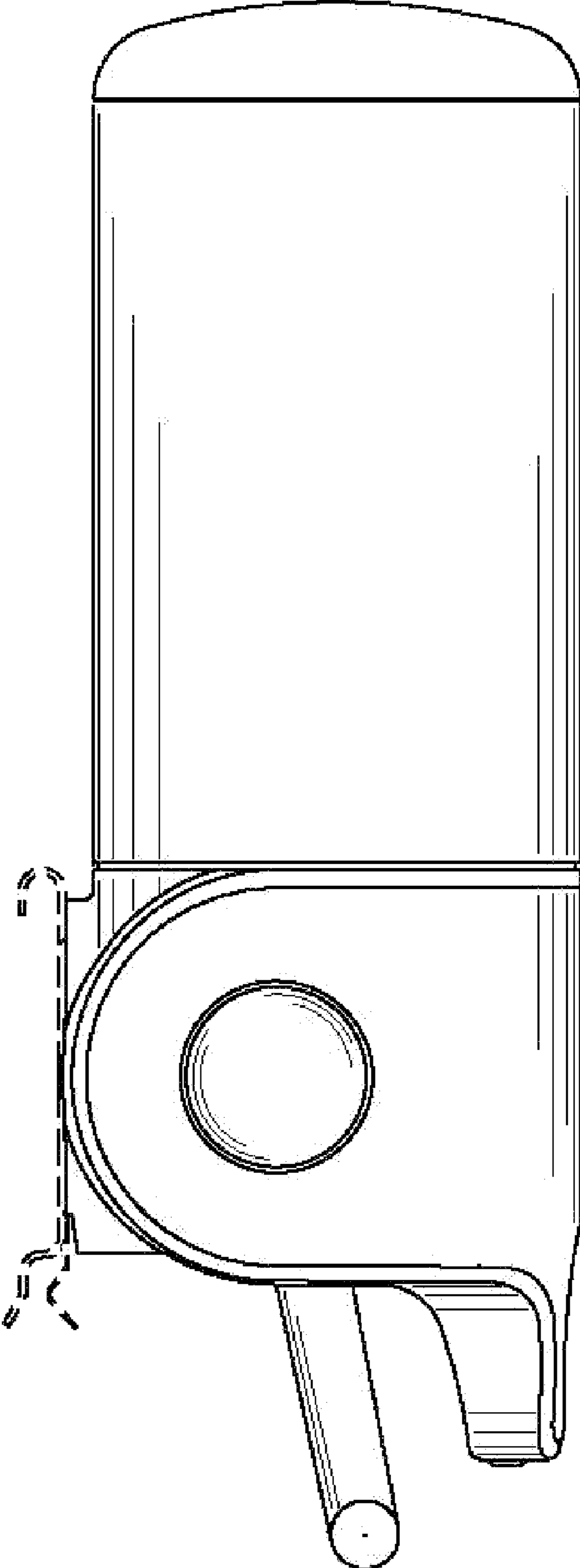


FIG. 6

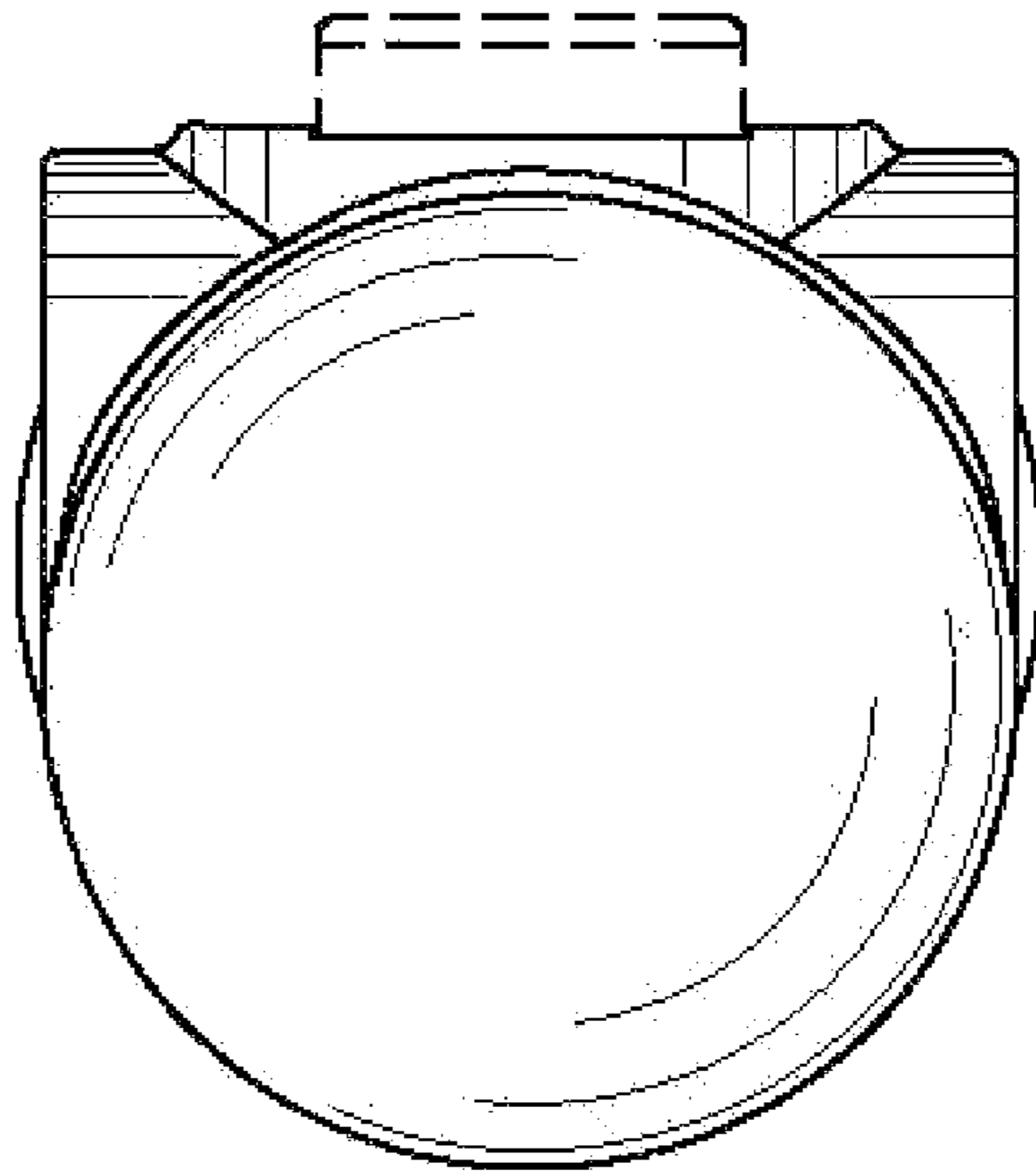


FIG. 7

