

US00D602289S

(12) **United States Design Patent**  
**Mezzera**

(10) **Patent No.:** **US D602,289 S**

(45) **Date of Patent:** **\*\* Oct. 20, 2009**

(54) **CHAIR ARM**

(75) **Inventor:** **Marcelo Mezzera**, Rancho Santa  
Margarita, CA (US)

(73) **Assignee:** **True Seating Concepts, LLC (MU)**

(\*\*) **Term:** **14 Years**

(21) **Appl. No.:** **29/313,609**

(22) **Filed:** **Jan. 27, 2009**

(51) **LOC (9) Cl.** ..... **06-06**

(52) **U.S. Cl.** ..... **D6/501**

(58) **Field of Classification Search** ..... D6/334-336,  
D6/364-367, 379, 491, 500-502; 297/411.2,  
297/411.27, 411.28, 411.44, 463.1

See application file for complete search history.

(56) **References Cited**

**U.S. PATENT DOCUMENTS**

D348,570 S *	7/1994	Scheper et al. ....	D6/366
D355,534 S *	2/1995	Saotome .....	D6/366
D356,223 S *	3/1995	Boulva .....	D6/501
D369,917 S *	5/1996	Beaulieu .....	D6/366
D369,918 S *	5/1996	Beaulieu .....	D6/366
D390,386 S *	2/1998	Schultz et al. ....	D6/501
D397,258 S *	8/1998	Heyder et al. ....	D6/366
D416,716 S *	11/1999	Ginat .....	D6/500
D422,802 S *	4/2000	Deacon .....	D6/366
D425,323 S *	5/2000	Chu .....	D6/366
D433,853 S *	11/2000	Shamir .....	D6/500
D435,747 S *	1/2001	Ho-Tsai et al. ....	D6/501
D440,418 S *	4/2001	Breen .....	D6/366
D447,370 S *	9/2001	Ho .....	D6/501
D474,052 S *	5/2003	True .....	D6/501

D491,399 S *	6/2004	Chi .....	D6/501
D491,758 S *	6/2004	True .....	D6/501
D496,535 S *	9/2004	Goodworth .....	D6/366
D504,792 S *	5/2005	Egger .....	D6/501
D505,283 S *	5/2005	Egger .....	D6/501
D507,707 S *	7/2005	Goodworth .....	D6/366
D507,909 S *	8/2005	Grove .....	D6/501
D537,282 S *	2/2007	Tsai .....	D6/501

\* cited by examiner

*Primary Examiner*—Caron Veynar

*Assistant Examiner*—Ricky Pham

(74) *Attorney, Agent, or Firm*—Morland C. Fischer

(57) **CLAIM**

The ornamental design for a chair arm, as shown and described.

**DESCRIPTION**

FIG. 1 is a perspective view showing the left side and the rear of a chair arm which forms my new design, the broken lines of an arm pad and a chair being for illustrative purposes only and forming no part of my design;

FIG. 2 is a left side elevational view thereof;

FIG. 3 is a right side elevational view thereof;

FIG. 4 is a rear elevational view thereof;

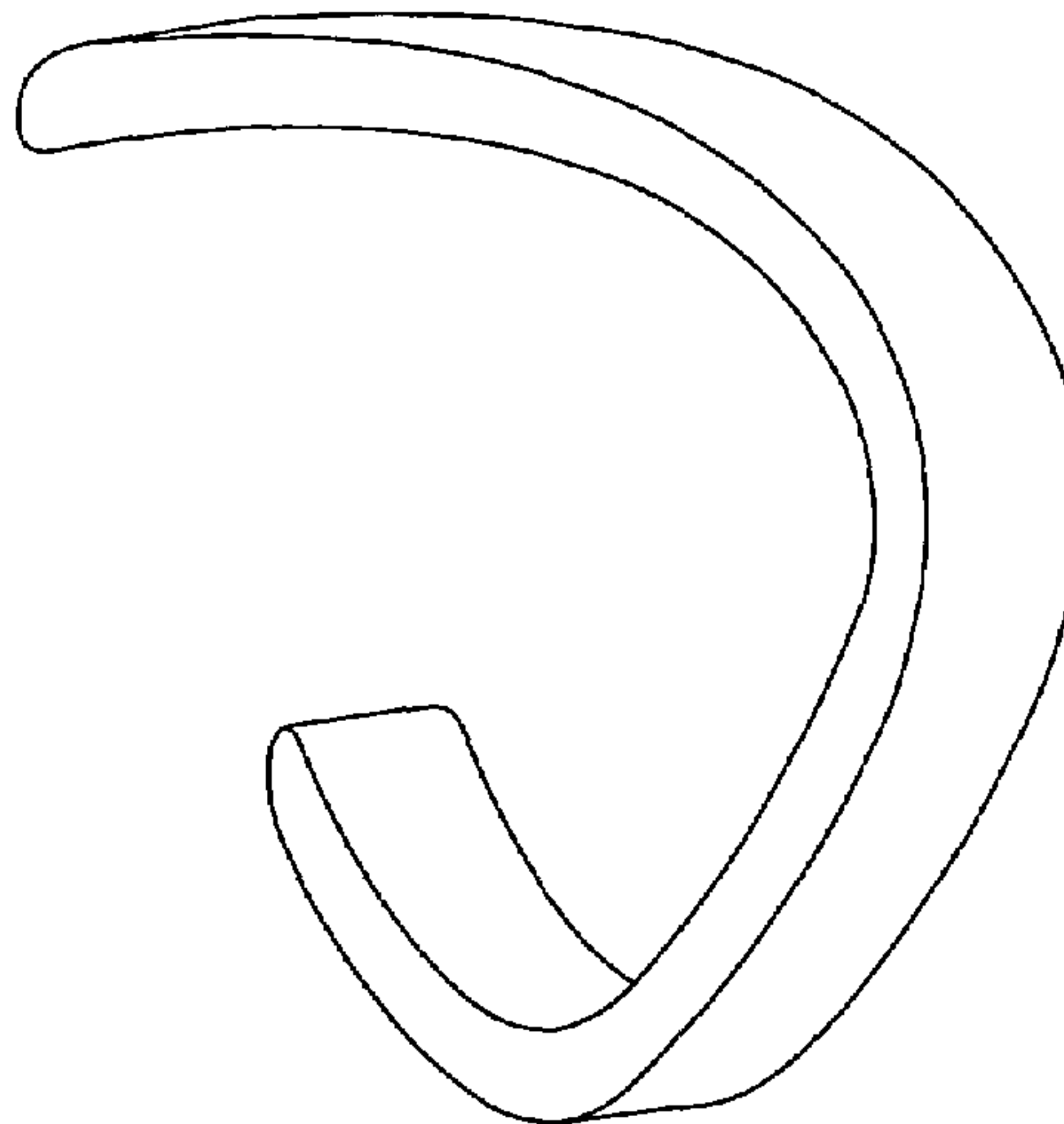
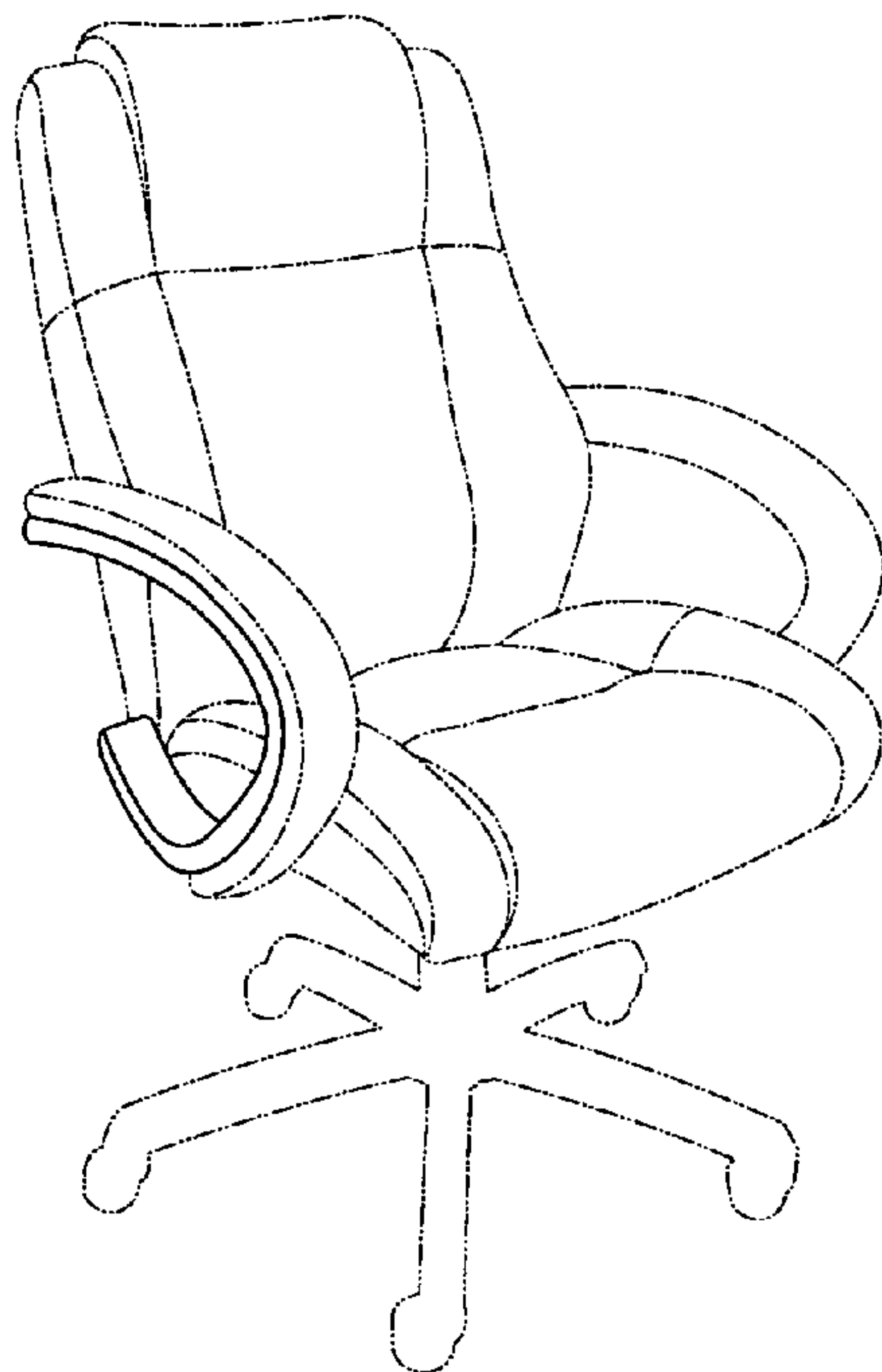
FIG. 5 is a front elevational view thereof;

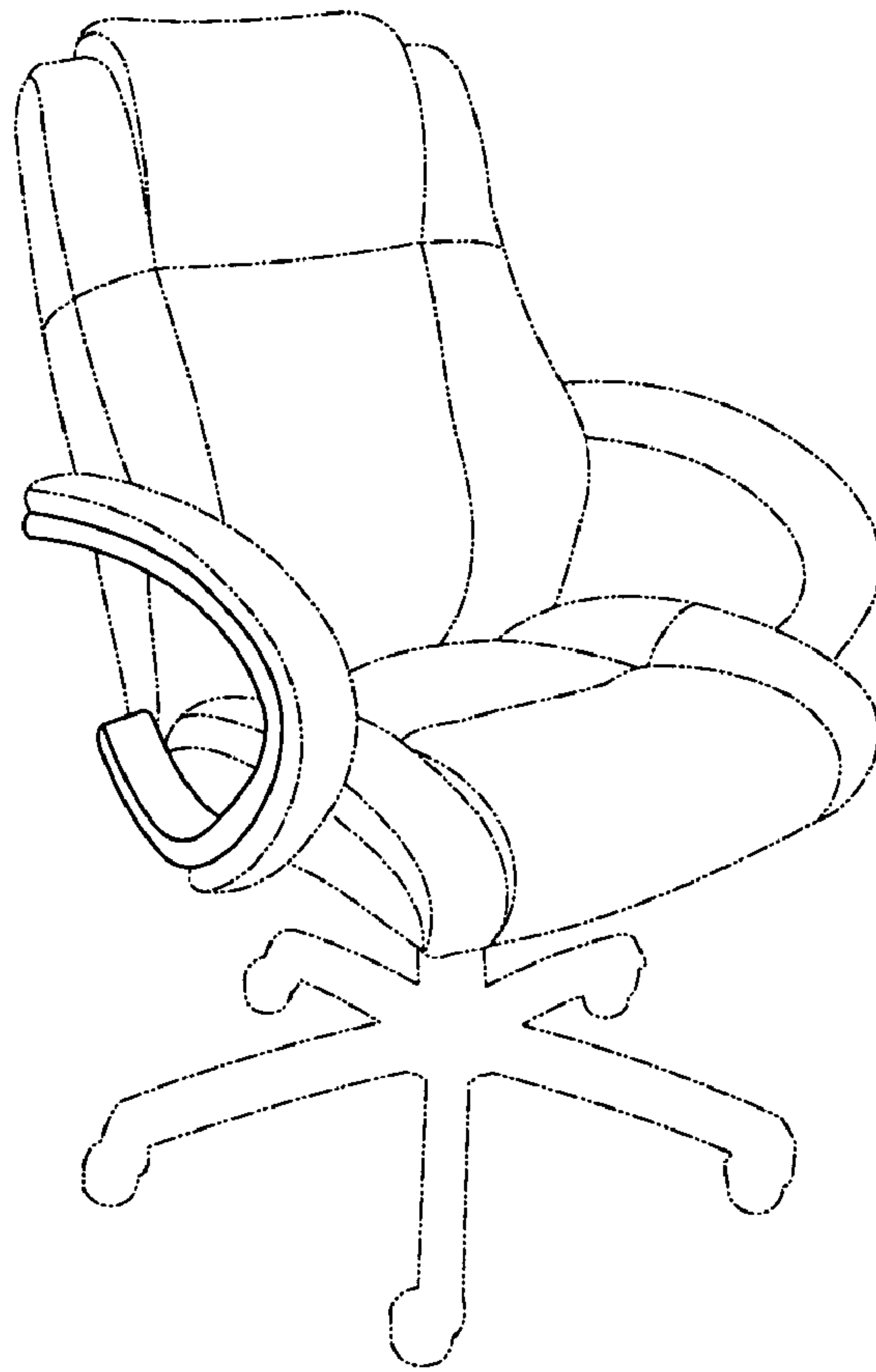
FIG. 6 is a top plan view thereof;

FIG. 7 is a bottom plan view thereof; and,

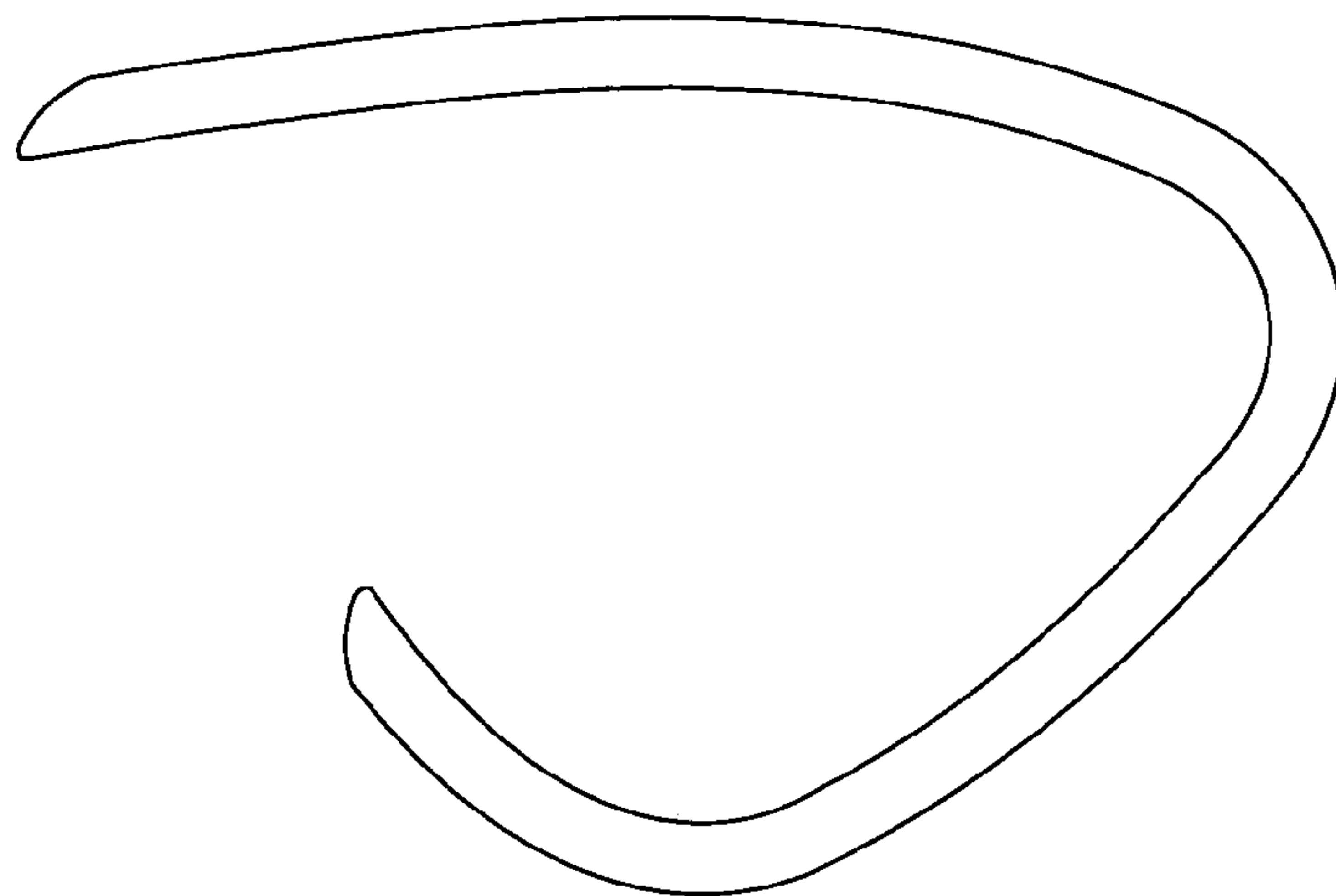
FIG. 8 is an enlarged perspective view showing the front, left side and rear thereof.

**1 Claim, 5 Drawing Sheets**

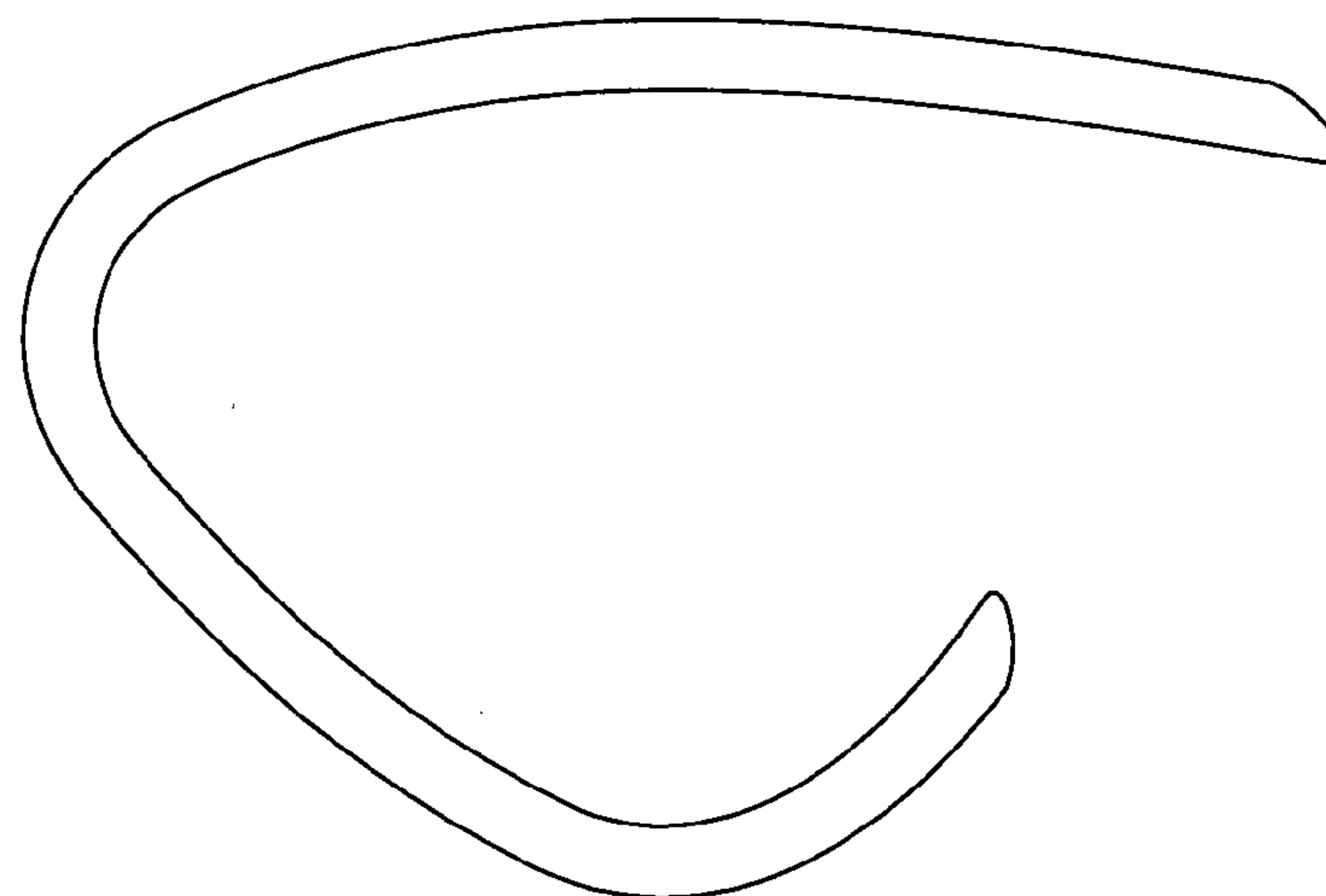




**FIG. 1**



**FIG. 2**



**FIG. 3**



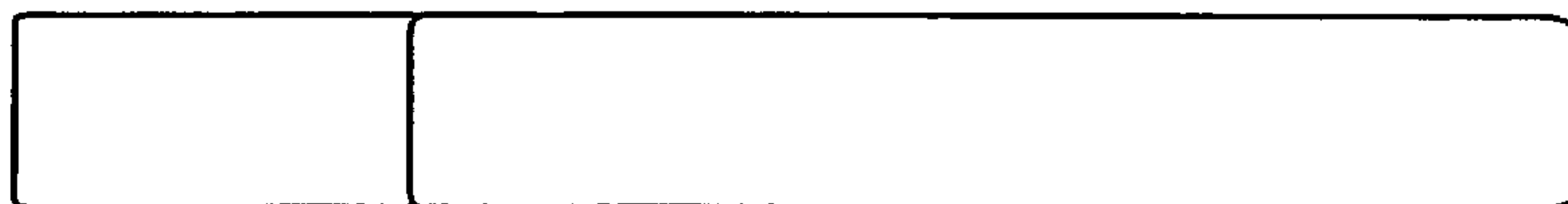
**FIG. 4**



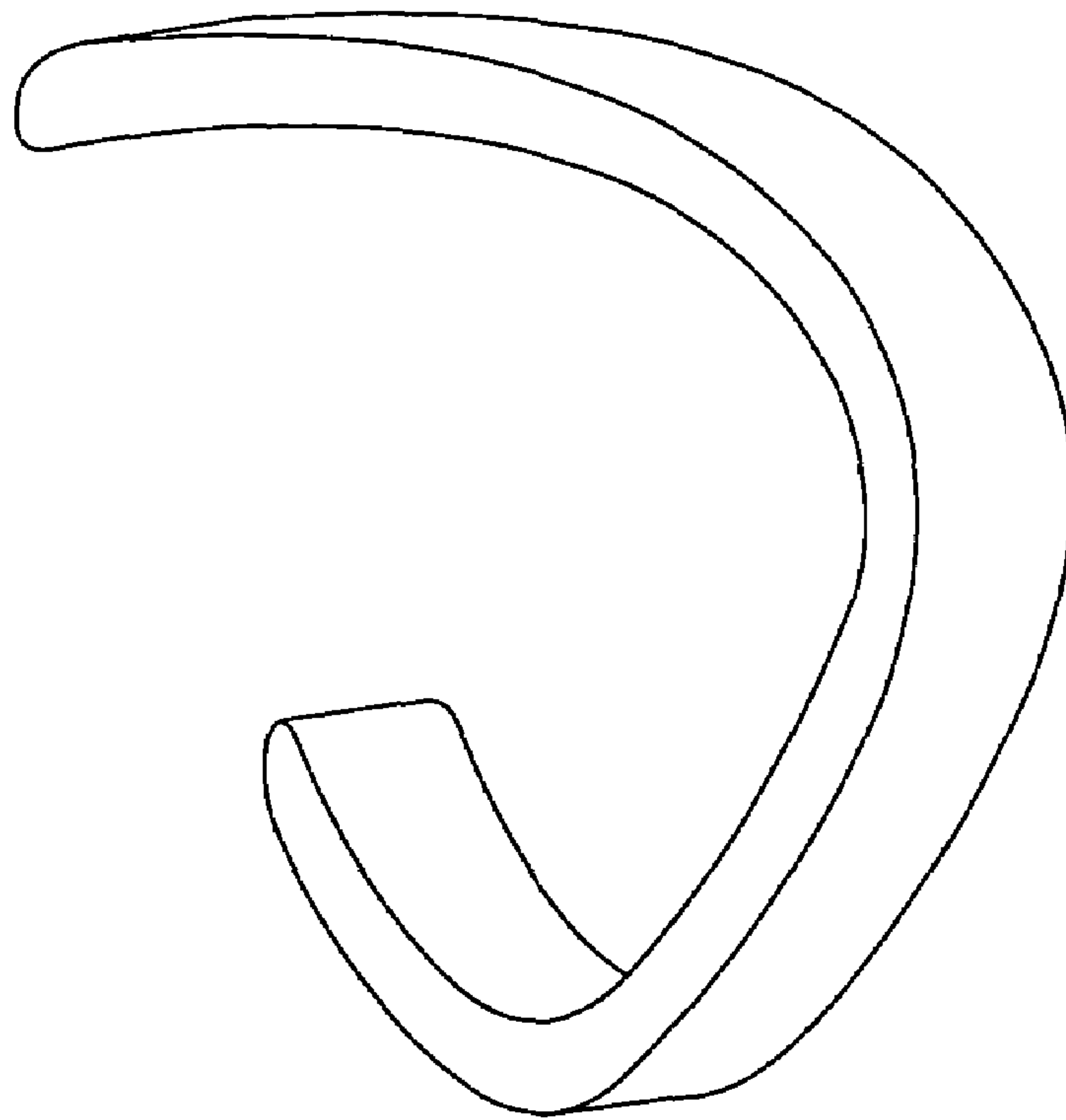
**FIG. 5**



***FIG. 6***



***FIG. 7***



**FIG. 8**