



US00D602285S

(12) **United States Design Patent**
Lucht

(10) **Patent No.:** **US D602,285 S**
(45) **Date of Patent:** **** Oct. 20, 2009**

- (54) **MERCHANDISE DISPLAY BASE**
- (75) Inventor: **Wayne Lucht**, Bedford Park, IL (US)
- (73) Assignee: **Midway Displays, Inc.**, Bedford Park, IL (US)
- (**) Term: **14 Years**
- (21) Appl. No.: **29/329,236**
- (22) Filed: **Dec. 11, 2008**
- (51) **LOC (9) Cl.** **06-04**
- (52) **U.S. Cl.** **D6/491**
- (58) **Field of Classification Search** D6/511,
D6/491, 466, 498, 509, 492; 248/188.7,
248/176.1, 170, 435, 443; D7/611; 211/85.6,
211/134
See application file for complete search history.

- D325,325 S * 4/1992 Cadman D7/611
- D328,210 S * 7/1992 Callon D6/511
- D360,550 S 7/1995 Ford
- D469,278 S * 1/2003 Lippert D6/466
- D495,536 S 9/2004 Lucht
- D525,461 S * 7/2006 Egger D6/498
- D566,994 S * 4/2008 Marcus D6/491

OTHER PUBLICATIONS

Photo of "prior art" base perspective.
Photo of "Prior Art" base close-up.

* cited by examiner

Primary Examiner—Janice E Seeger
Assistant Examiner—Sydney R Buffalow
(74) *Attorney, Agent, or Firm*—Leydig, Voit & Mayer, Ltd.

(57) **CLAIM**

The ornamental design for a merchandise display base, as shown and described.

(56) **References Cited**

U.S. PATENT DOCUMENTS

- 558,433 A 4/1896 Stoddard
- D238,646 S 2/1976 Pipplarp
- 4,005,841 A * 2/1977 Rensland et al. 248/188.7
- D246,965 S 1/1978 Hughes
- D260,216 S * 8/1981 Buhk D6/498
- D266,722 S * 11/1982 Stephens D6/498
- D273,925 S 5/1984 Caruso
- 4,529,247 A 7/1985 Stumpf
- D304,399 S 11/1989 Caruso
- D306,381 S * 3/1990 Glassenberg D6/509
- D312,011 S 11/1990 Caruso
- D321,299 S 11/1991 Caruso

DESCRIPTION

FIG. 1 is a perspective view of a merchandise display base showing my new design, the broken lines for illustrative purposes only forming no part of the claimed design;
FIG. 2 is a reduced top plan view thereof;
FIG. 3 is a reduced bottom plan view thereof;
FIG. 4 is a reduced front side elevational view thereof;
FIG. 5 is a reduced rear side elevational view thereof;
FIG. 6 is a reduced left side elevational view thereof; and,
FIG. 7 is a reduced right side view thereof.

1 Claim, 3 Drawing Sheets

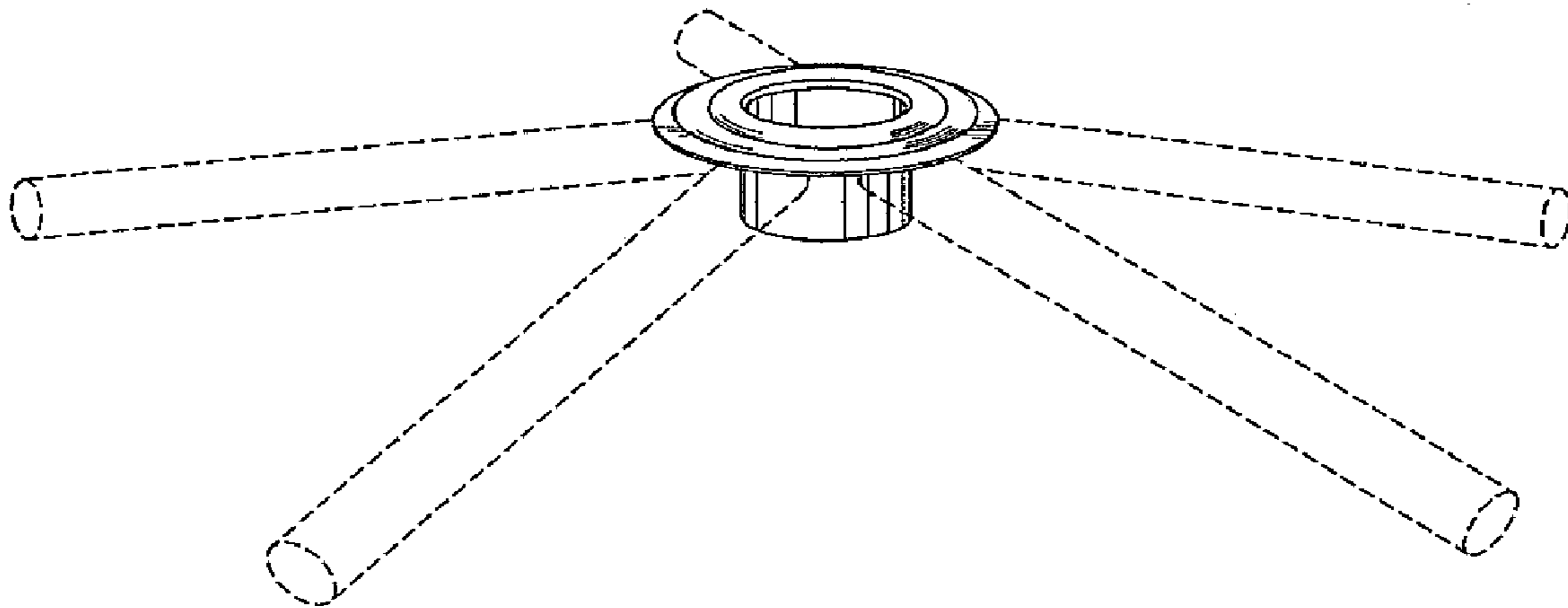


FIG. 1

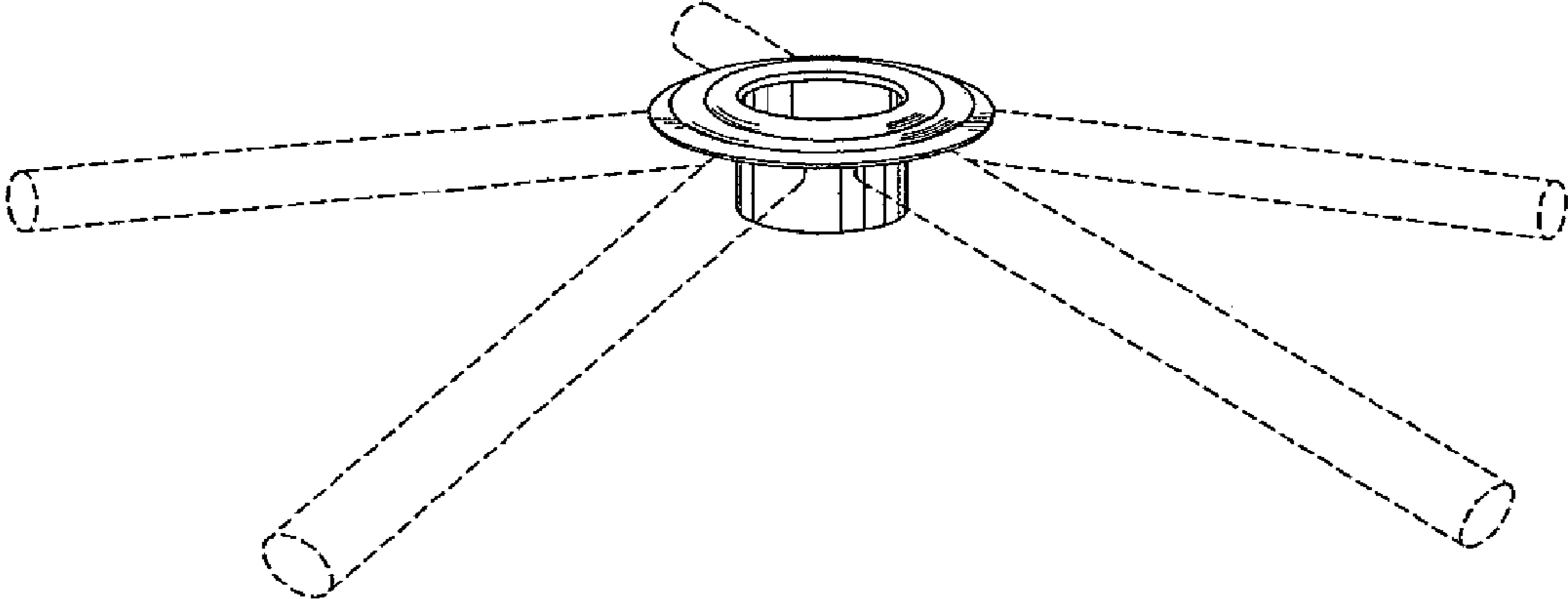


FIG. 2

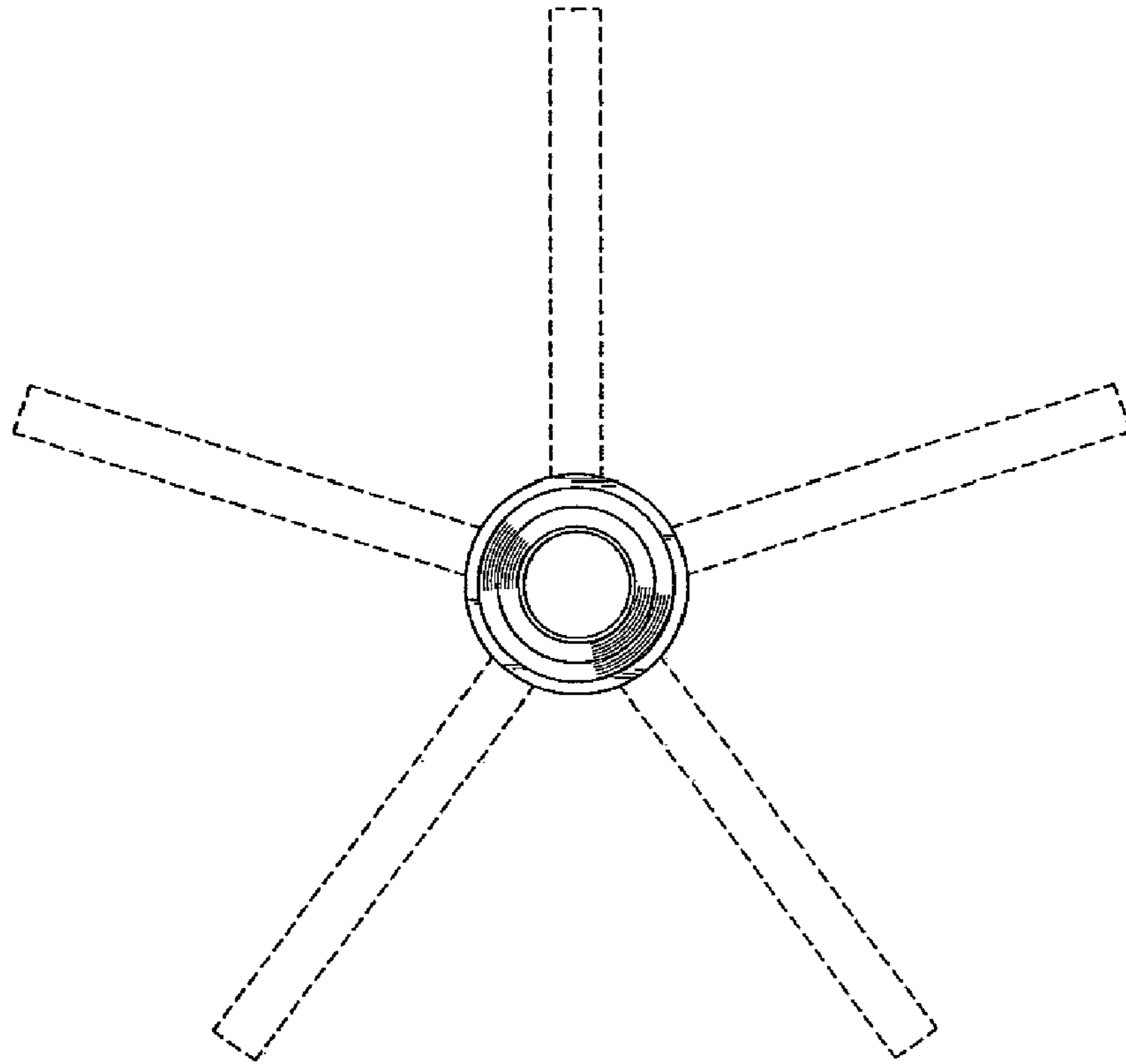


FIG. 3

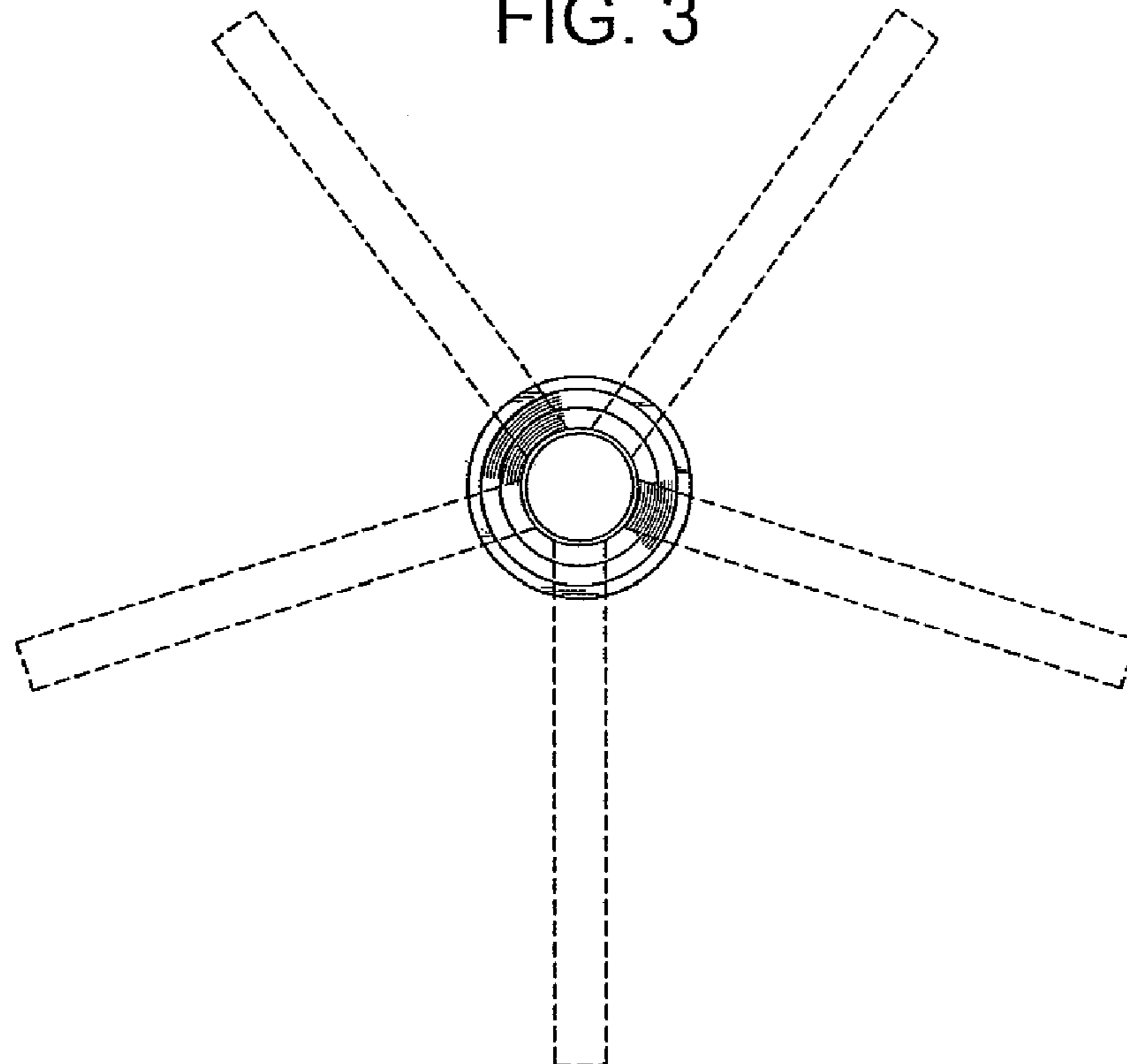


FIG. 4

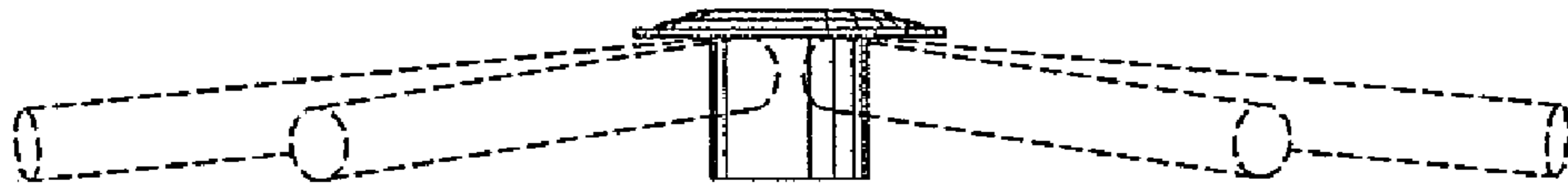


FIG. 5

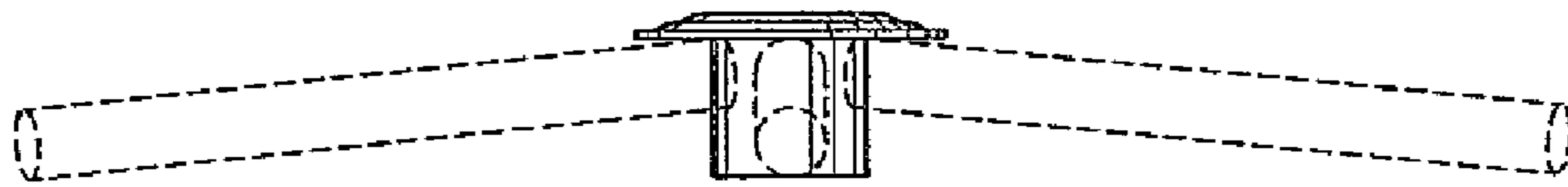


FIG. 6

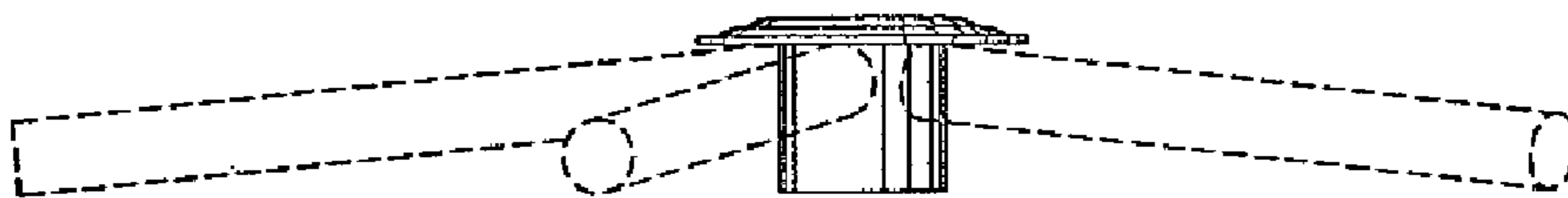


FIG. 7

