



US00D602281S

(12) **United States Design Patent**
Guidry et al.

(10) **Patent No.:** **US D602,281 S**

(45) **Date of Patent:** **** Oct. 20, 2009**

(54) **WORKSTATION WITH TELEVISION MOUNT**

(75) Inventors: **Tanya Guidry**, Memphis, TN (US);
Angela Denney, Cincinnati, OH (US);
Jeff Evans, Cincinnati, OH (US); **Kyle Kieper**, Cincinnati, OH (US)

(73) Assignee: **HLT Domestic IP LLC**, Beverly Hills, CA (US)

(**) Term: **14 Years**

(21) Appl. No.: **29/324,919**

(22) Filed: **Sep. 23, 2008**

(51) **LOC (9) Cl.** **06-04**

(52) **U.S. Cl.** **D6/396**

(58) **Field of Classification Search** D6/396-397,
D6/422-428, 429-431; 108/50.01, 50.02;
312/194-196, 239

See application file for complete search history.

(56) **References Cited**

U.S. PATENT DOCUMENTS

D282,986 S *	3/1986	Keller	D6/397
5,346,296 A *	9/1994	Kelley	312/198
D441,563 S *	5/2001	Chau et al.	D6/422
D458,048 S *	6/2002	Camfferman et al.	D6/436
D487,853 S *	3/2004	Woods	D6/436
D488,649 S *	4/2004	Muenzberg	D6/495
D559,582 S *	1/2008	Orozco	D6/436

D591,079 S * 4/2009 Singler et al. D6/432
2004/0135476 A1 * 7/2004 Gillengerten 312/8.16

* cited by examiner

Primary Examiner—Elizabeth A. Albert

Assistant Examiner—Kelley A Donnelly

(74) *Attorney, Agent, or Firm*—Standley Law Group LLP

(57) **CLAIM**

The ornamental design for a workstation with television mount, as shown and described.

DESCRIPTION

FIG. 1 is a front perspective view of a workstation with television mount;

FIG. 2 is a rear perspective view thereof;

FIG. 3 is a front elevation view thereof;

FIG. 4 is a rear elevation view thereof;

FIG. 5 is a top plan view thereof;

FIG. 6 is a bottom plan view thereof;

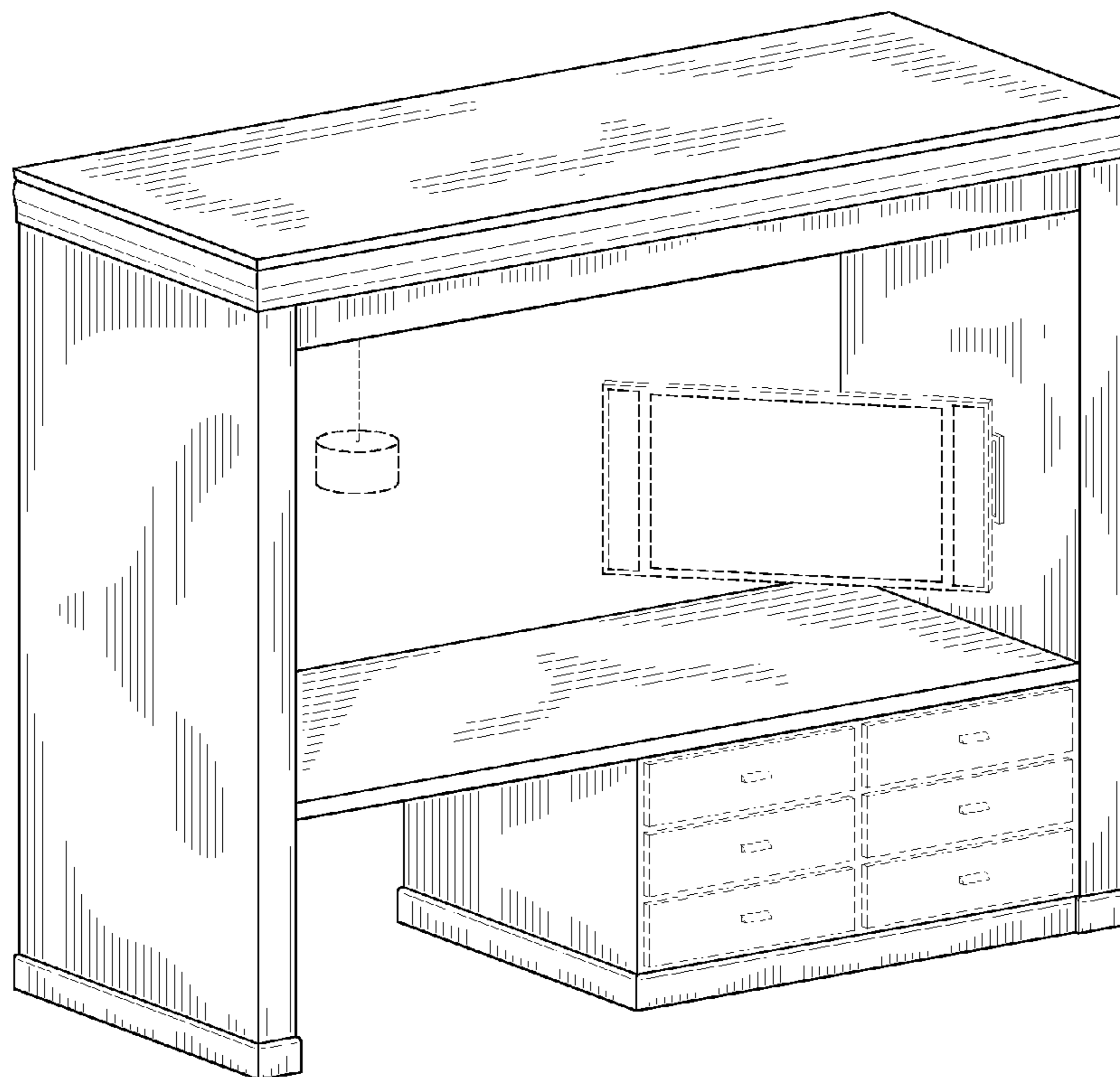
FIG. 7 is a left side elevation view thereof;

FIG. 8 is a right side elevation view thereof; and,

FIG. 9 is a front elevation view thereof situated in a room.

The broken lines are for environmental purposes only and form no part of the claimed design.

1 Claim, 4 Drawing Sheets



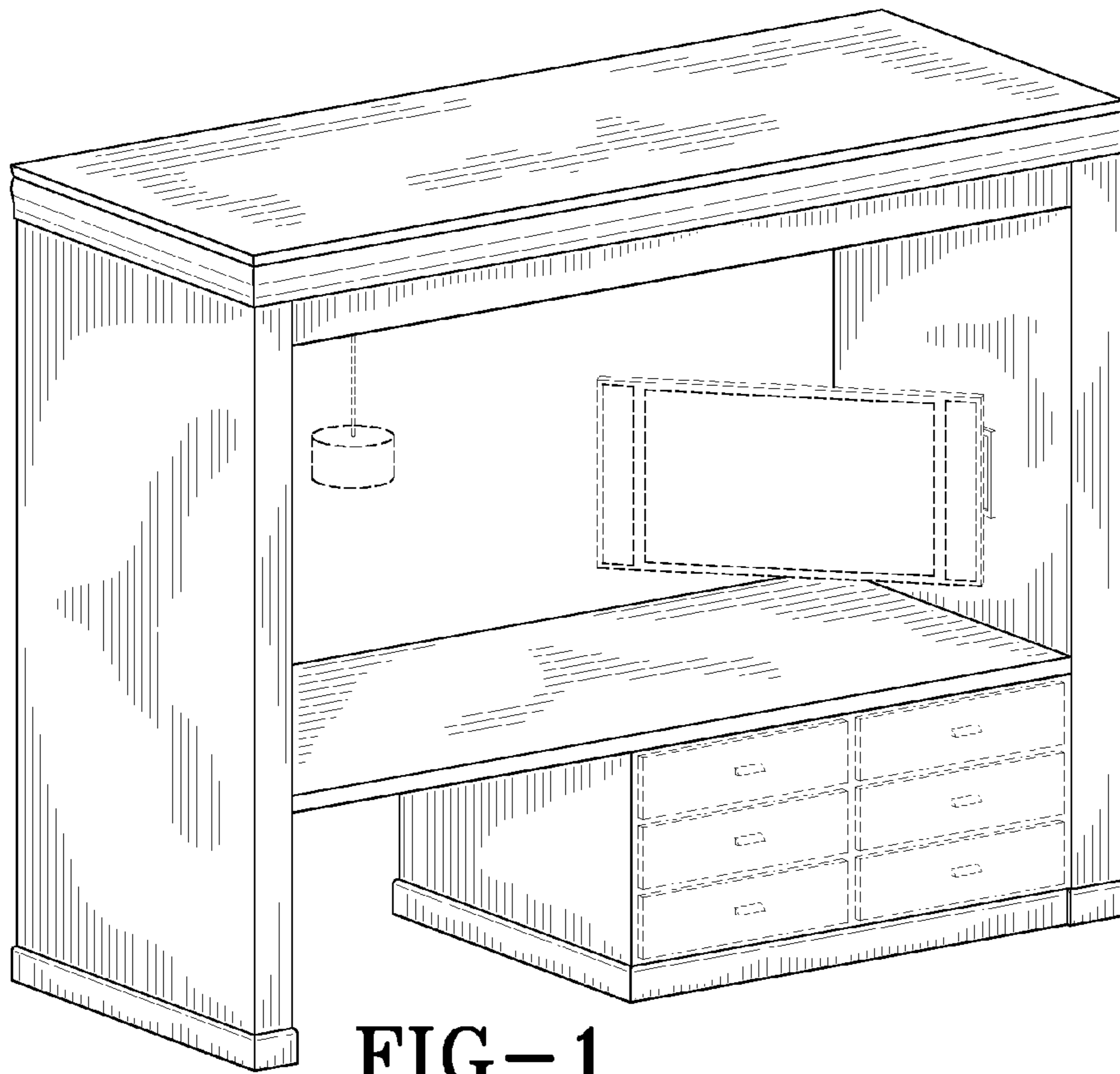


FIG-1

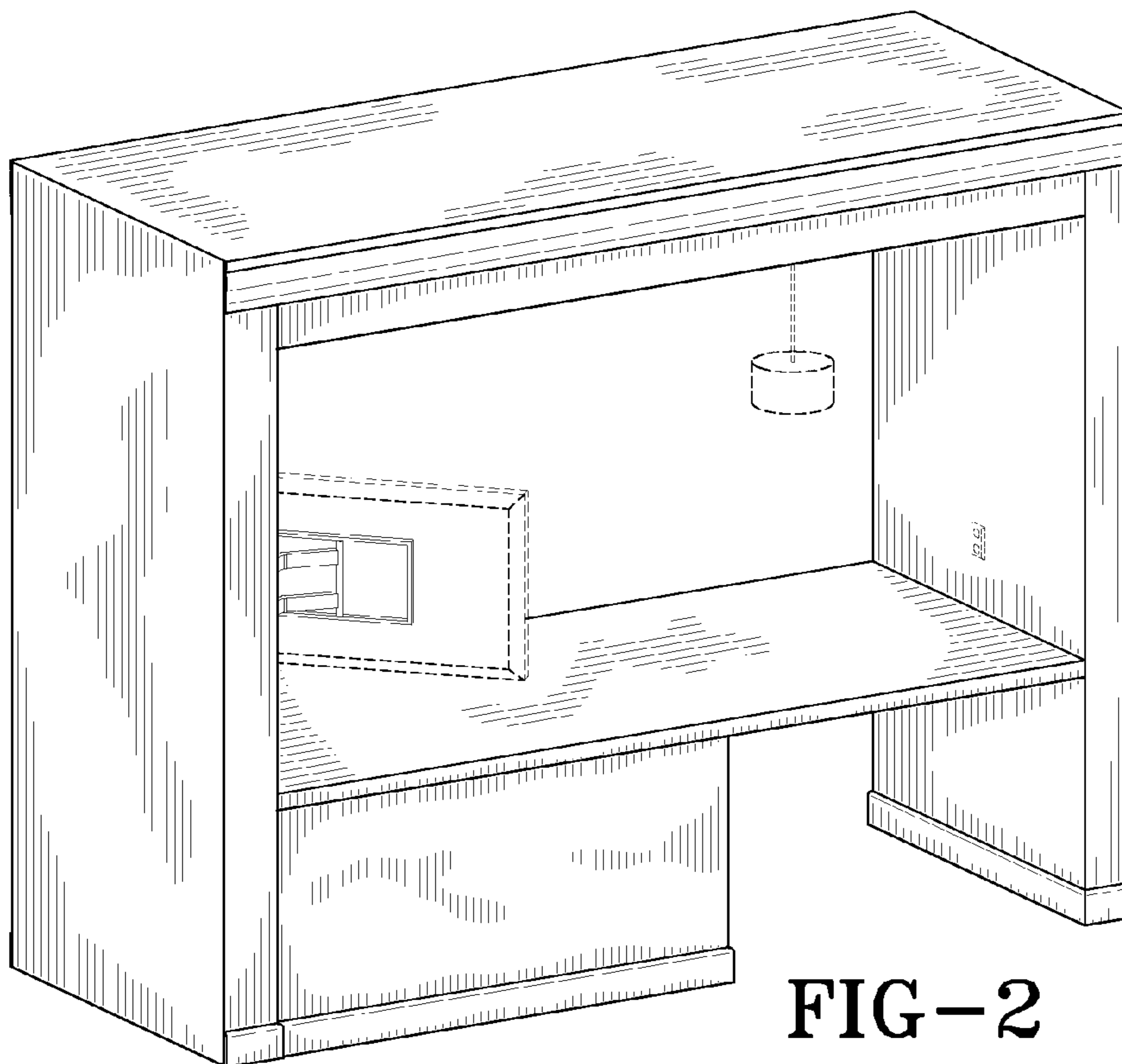


FIG-2

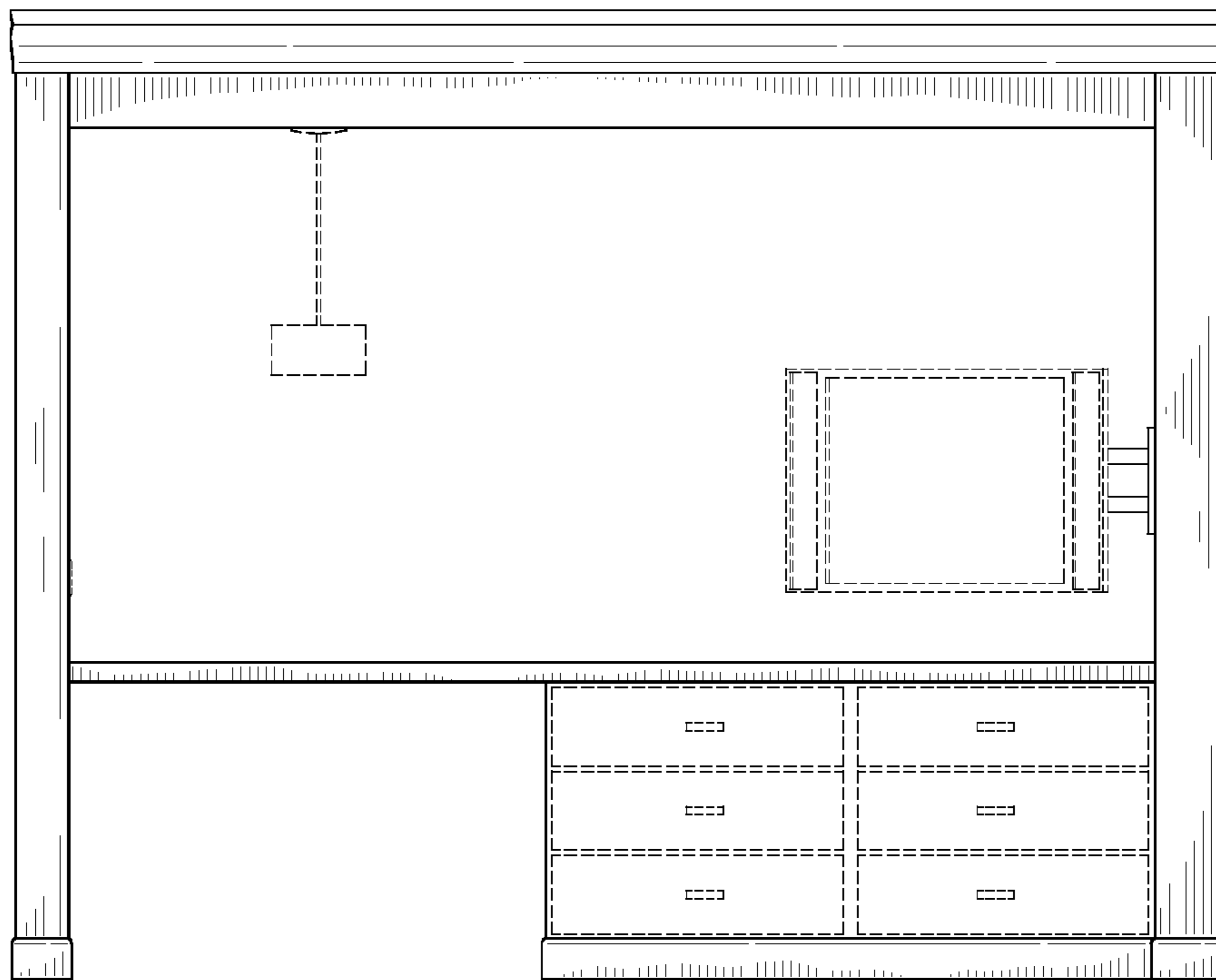


FIG-3

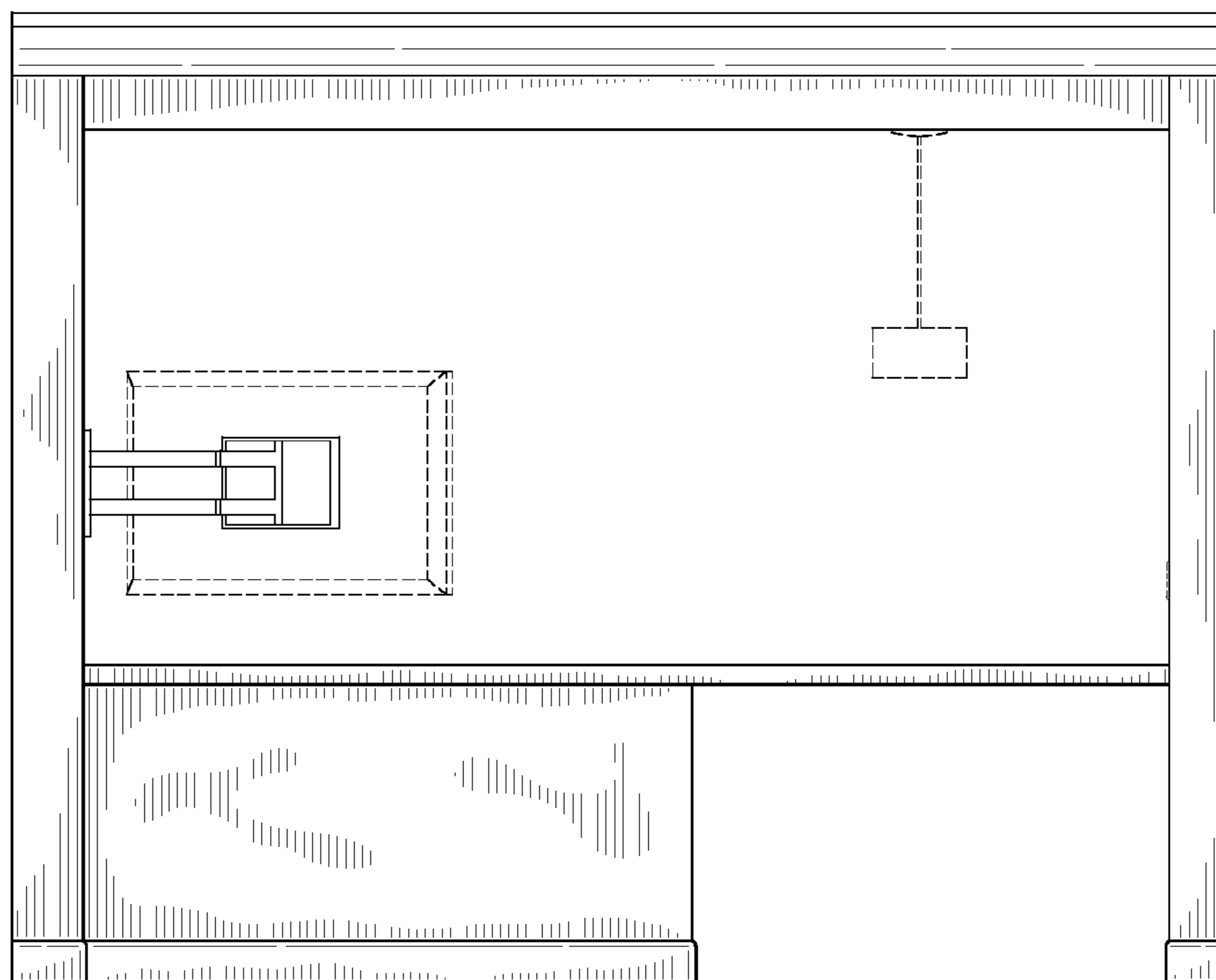


FIG-4

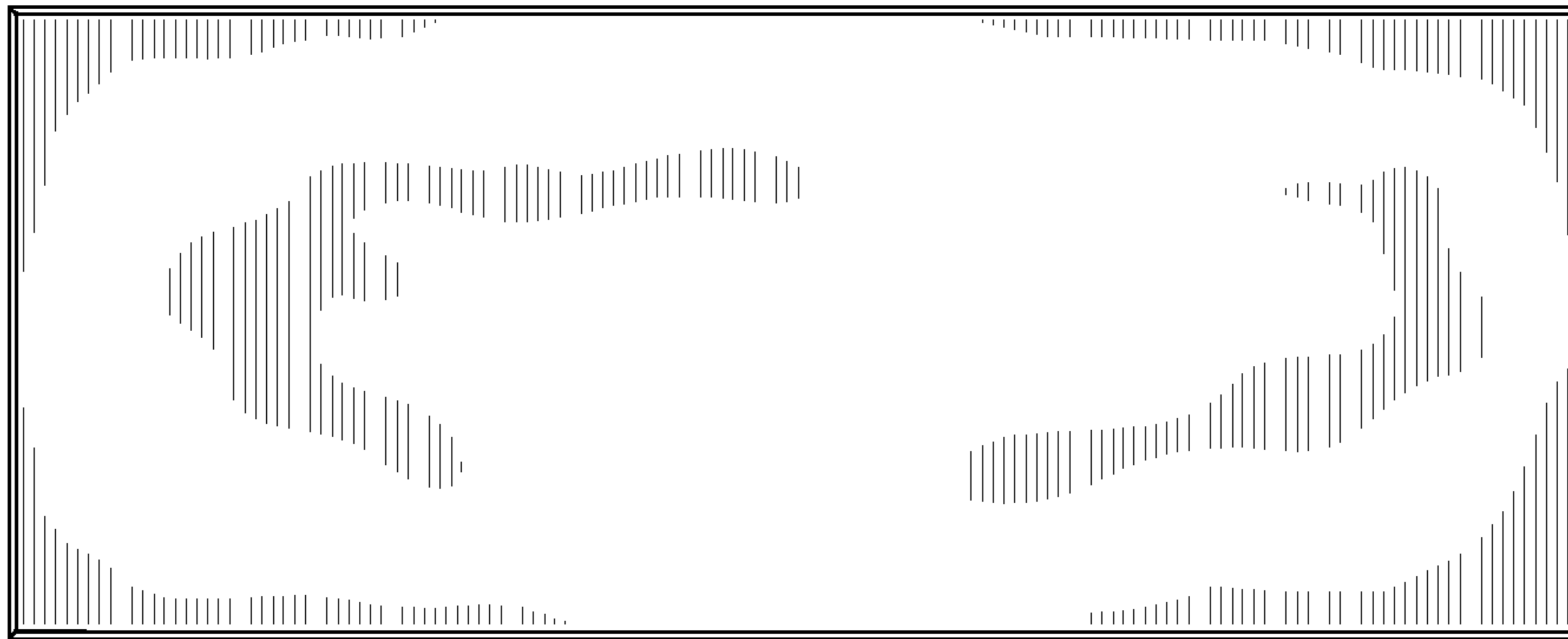


FIG-5

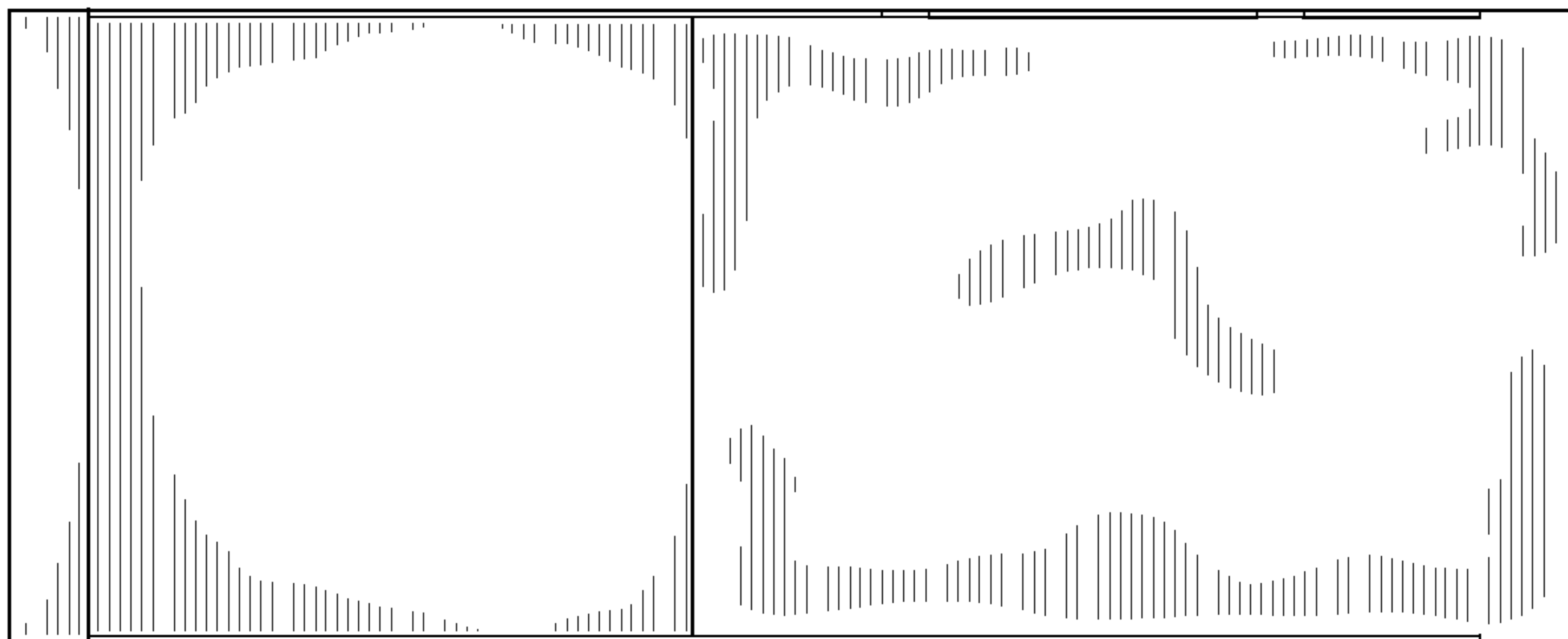


FIG-6

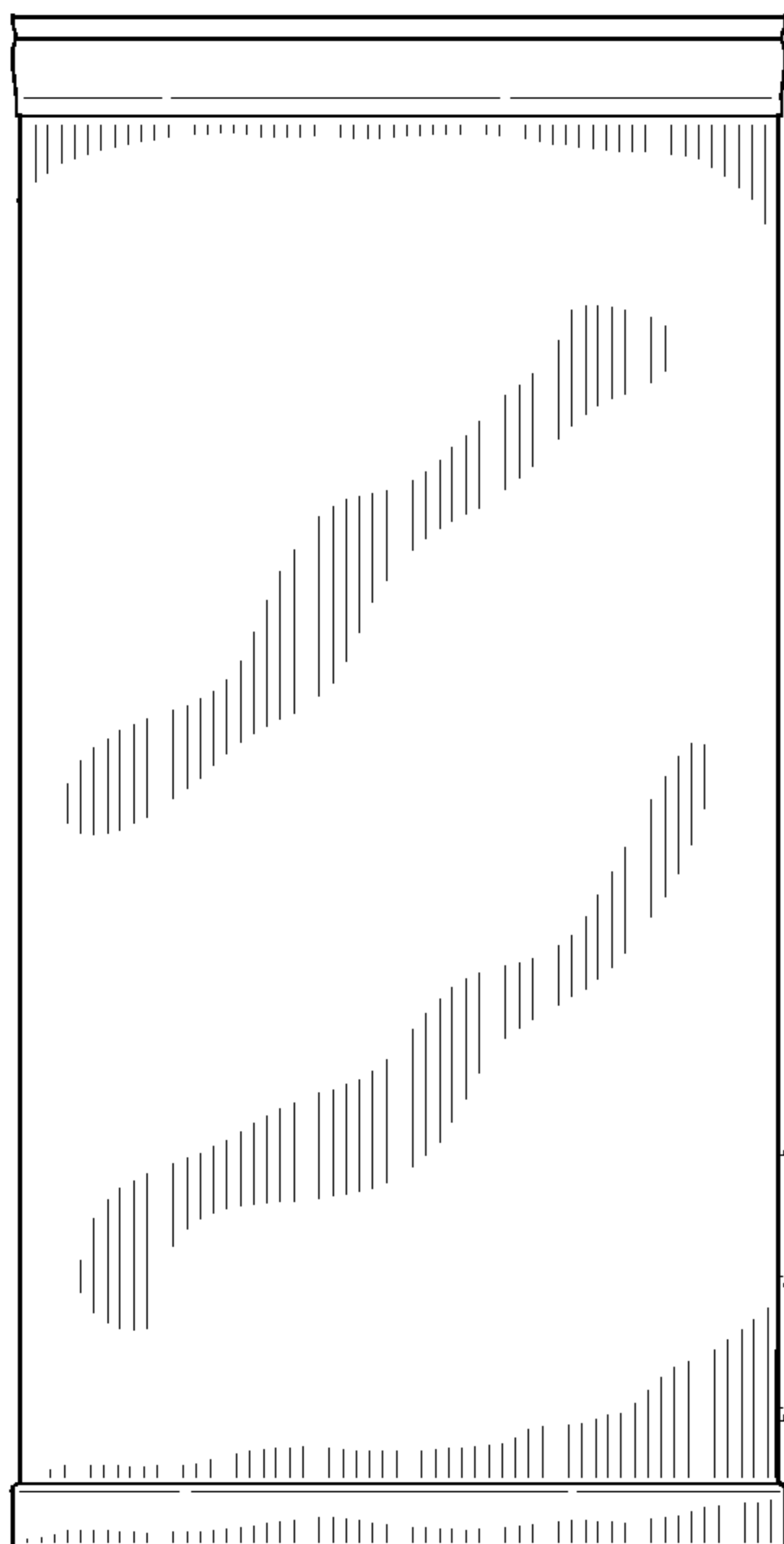


FIG-7

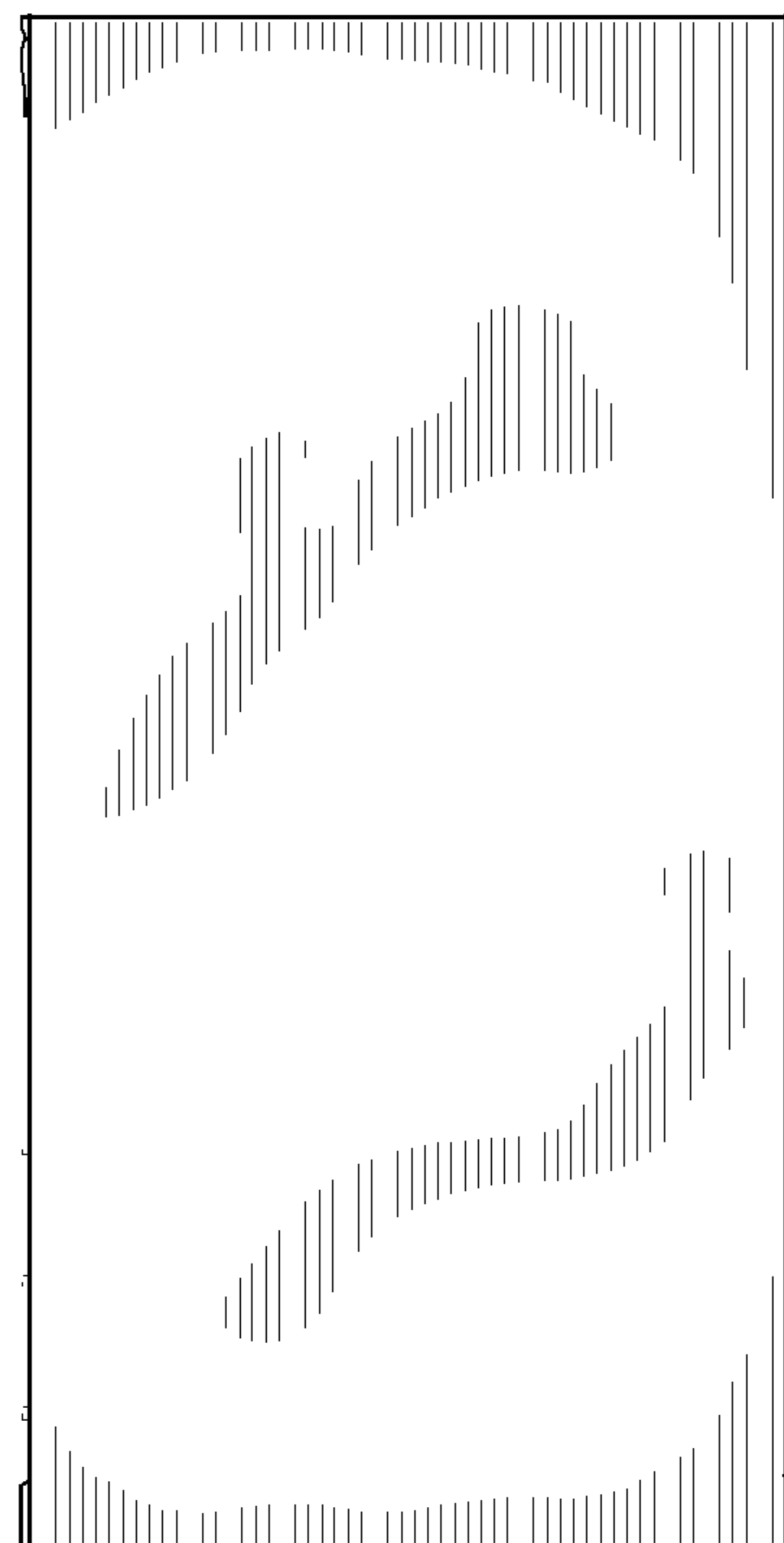


FIG-8

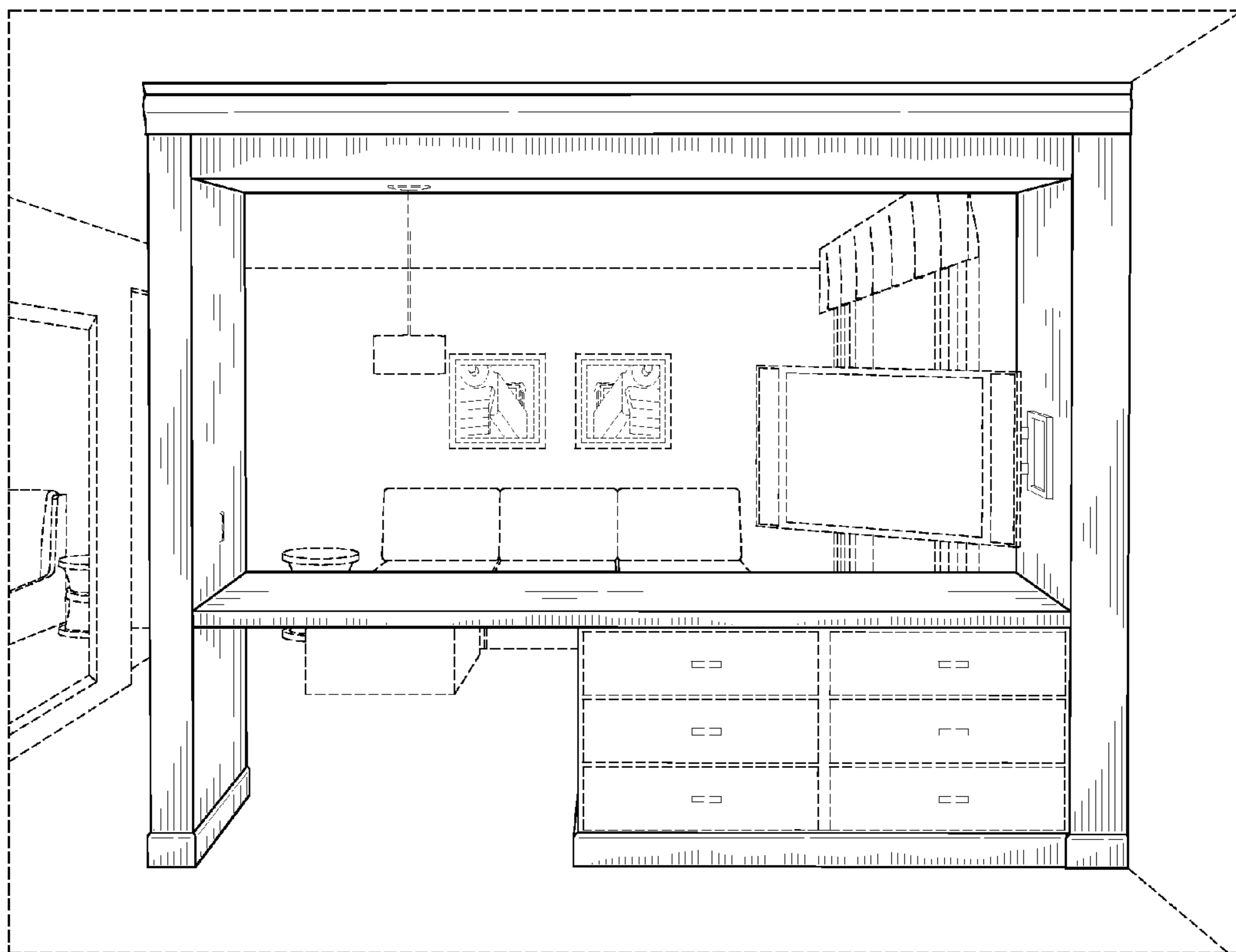


FIG-9