

US00D602277S

(12) **United States Design Patent**
Neil

(10) **Patent No.:** **US D602,277 S**

(45) **Date of Patent:** **** *Oct. 20, 2009**

(54) **CHAIR**

(75) Inventor: **Gary Neil**, Mississauga (CA)

(73) Assignee: **Allseating Corporation**, Mississauga (CA)

(*) Notice: This patent is subject to a terminal disclaimer.

(**) Term: **14 Years**

(21) Appl. No.: **29/327,337**

(22) Filed: **Nov. 4, 2008**

(51) **LOC (9) Cl.** **06-01**

(52) **U.S. Cl.** **D6/379**

(58) **Field of Classification Search** D6/334-336,
D6/369, 370, 371-373, 374, 375, 376, 379,
D6/380, 499, 500-502; 297/239, 411.42,
297/411.43, 446.1, 452.2, 452.29, DIG. 2
See application file for complete search history.

(56) **References Cited**

U.S. PATENT DOCUMENTS

- D312,005 S * 11/1990 Snodgrass D6/379
- D385,425 S * 10/1997 Goetz D6/379
- D446,037 S * 8/2001 Koepke et al. D6/379

- D475,543 S * 6/2003 Savini D6/374
- D524,071 S * 7/2006 Brooks D6/379
- D540,559 S * 4/2007 Neil D6/379
- D563,111 S * 3/2008 Lievore D6/375
- D574,622 S * 8/2008 Neil D6/374

* cited by examiner

Primary Examiner—Mimosa De
(74) *Attorney, Agent, or Firm*—Miller Thomson LLP

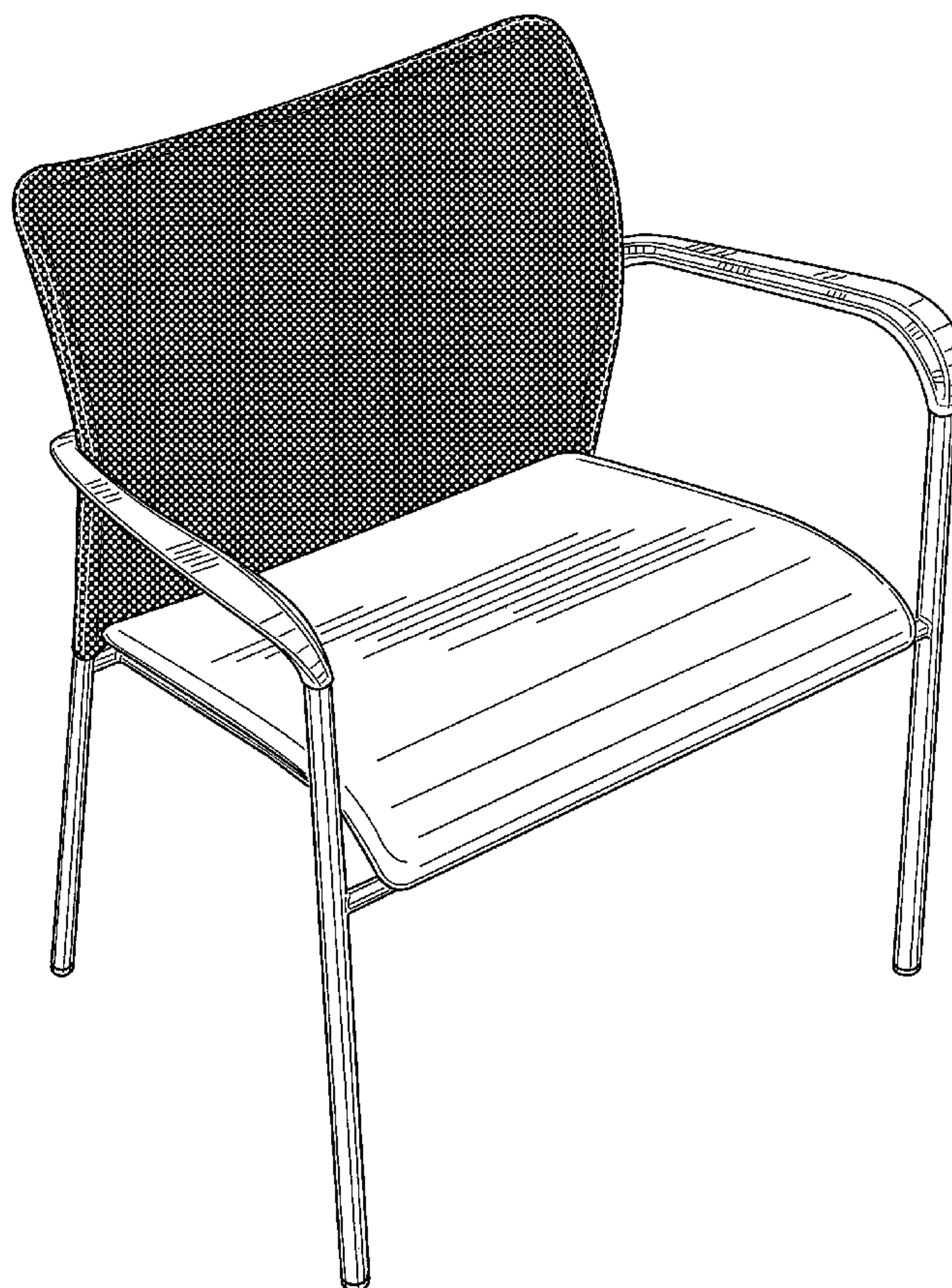
(57) **CLAIM**

The ornamental design for the “chair,” as shown and described.

DESCRIPTION

- FIG. 1 is a front perspective view of the chair.
- FIG. 2 is a back perspective view of the chair.
- FIG. 3 is a right side view of the chair.
- FIG. 4 is a front view of the chair.
- FIG. 5 is a left side view of the chair.
- FIG. 6 is a back view of the chair.
- FIG. 7 is a top view of the chair; and,
- FIG. 8 is a bottom view of the chair.

1 Claim, 5 Drawing Sheets



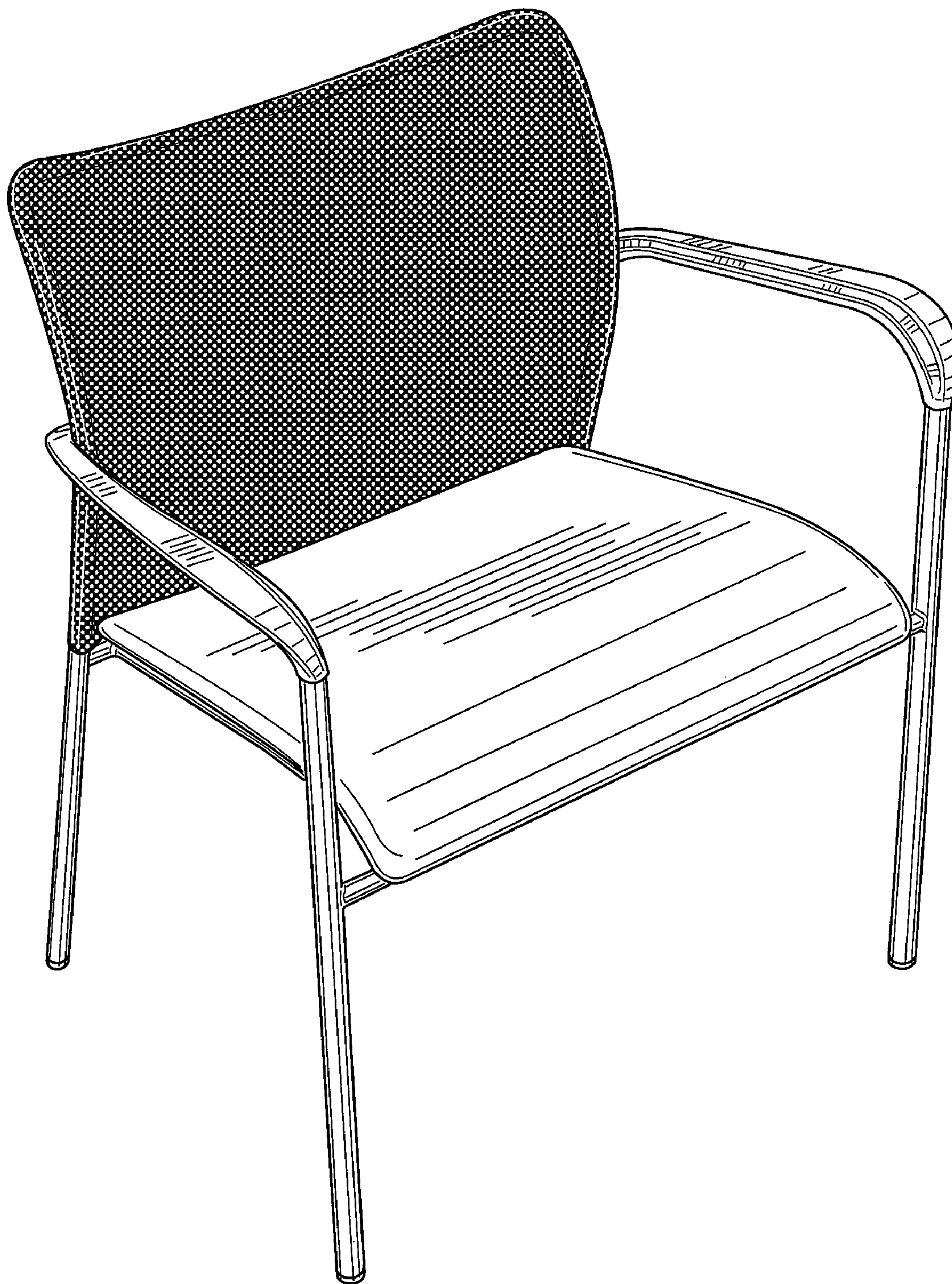


FIG. 1

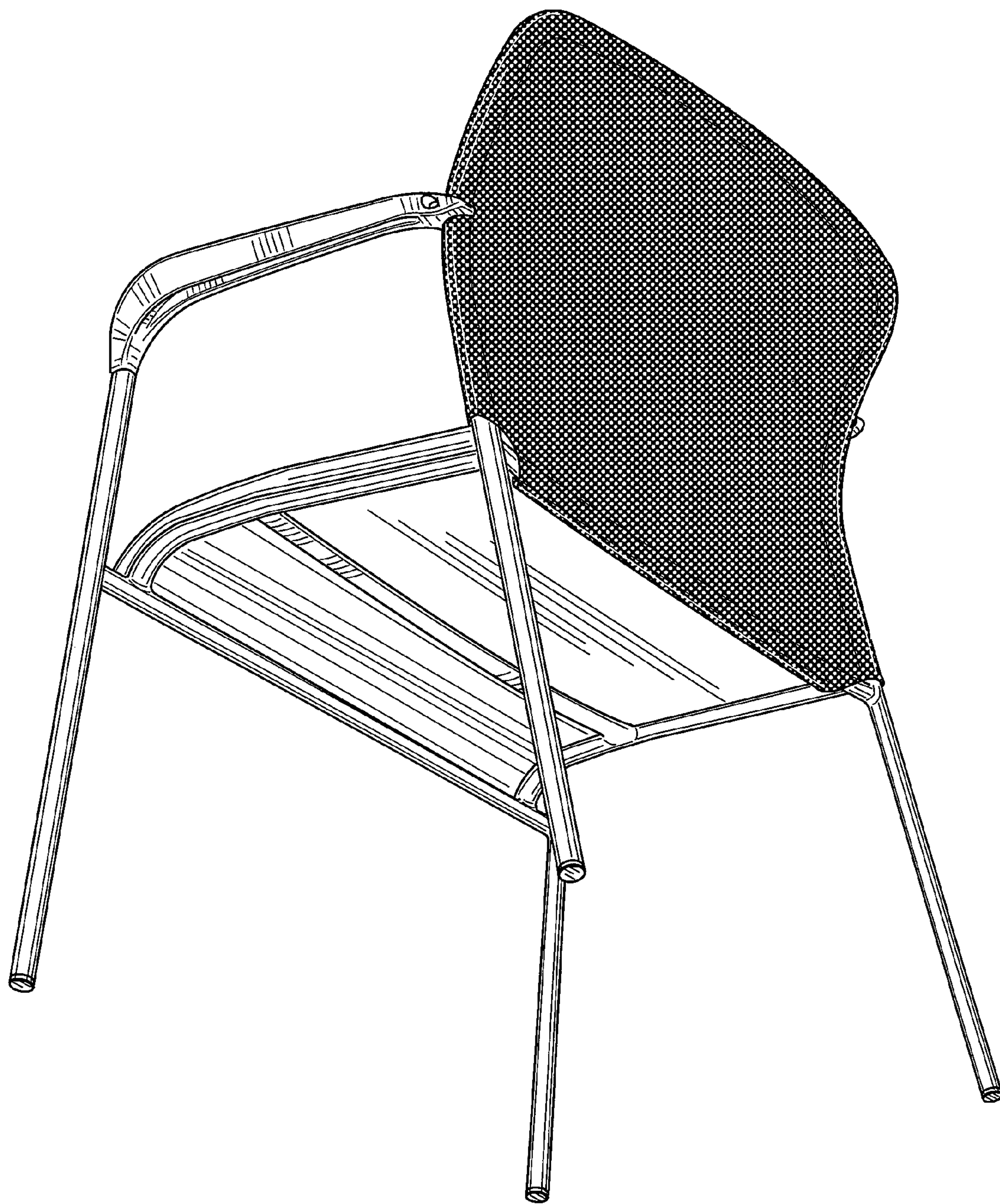


FIG. 2

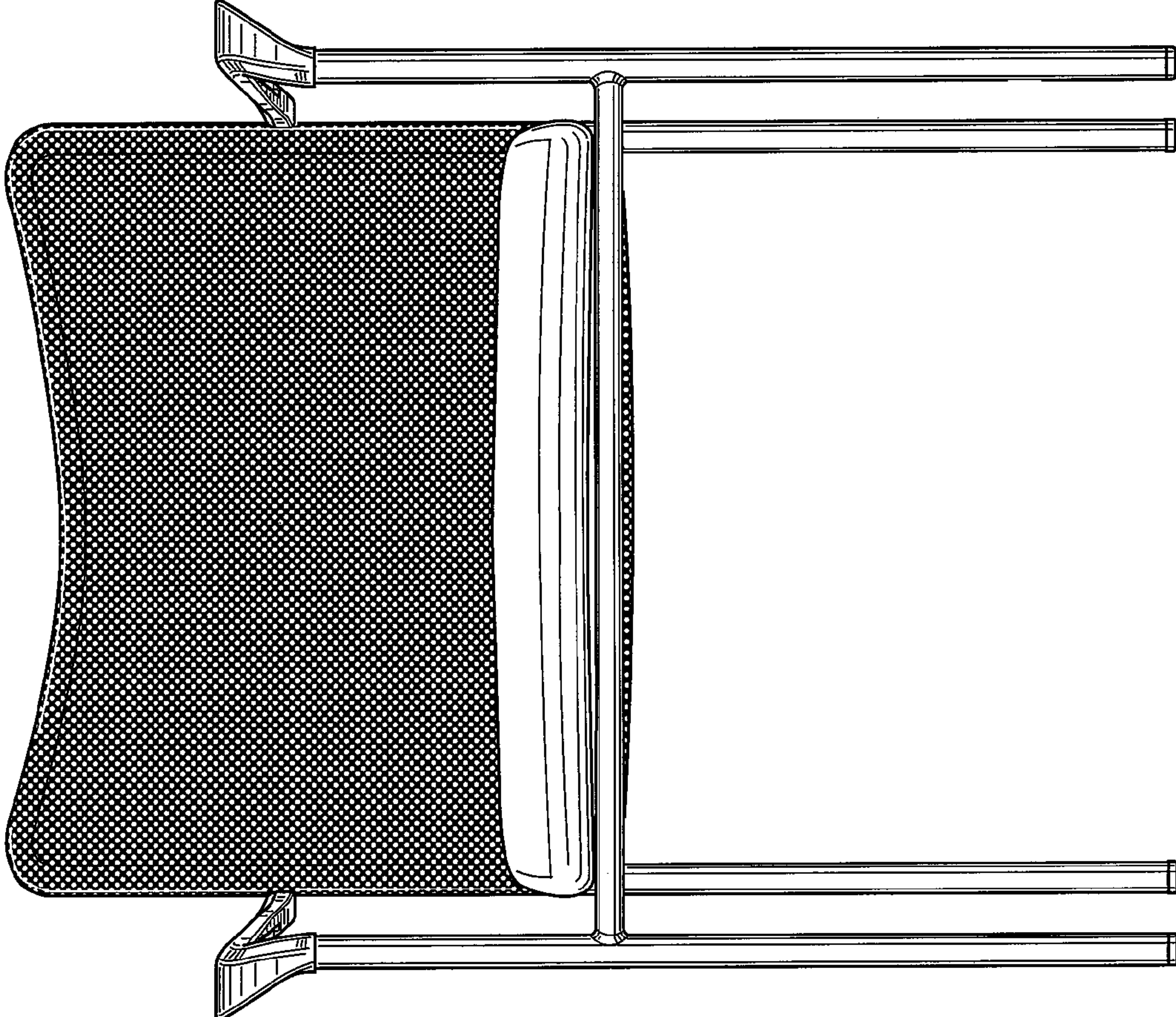


FIG. 4

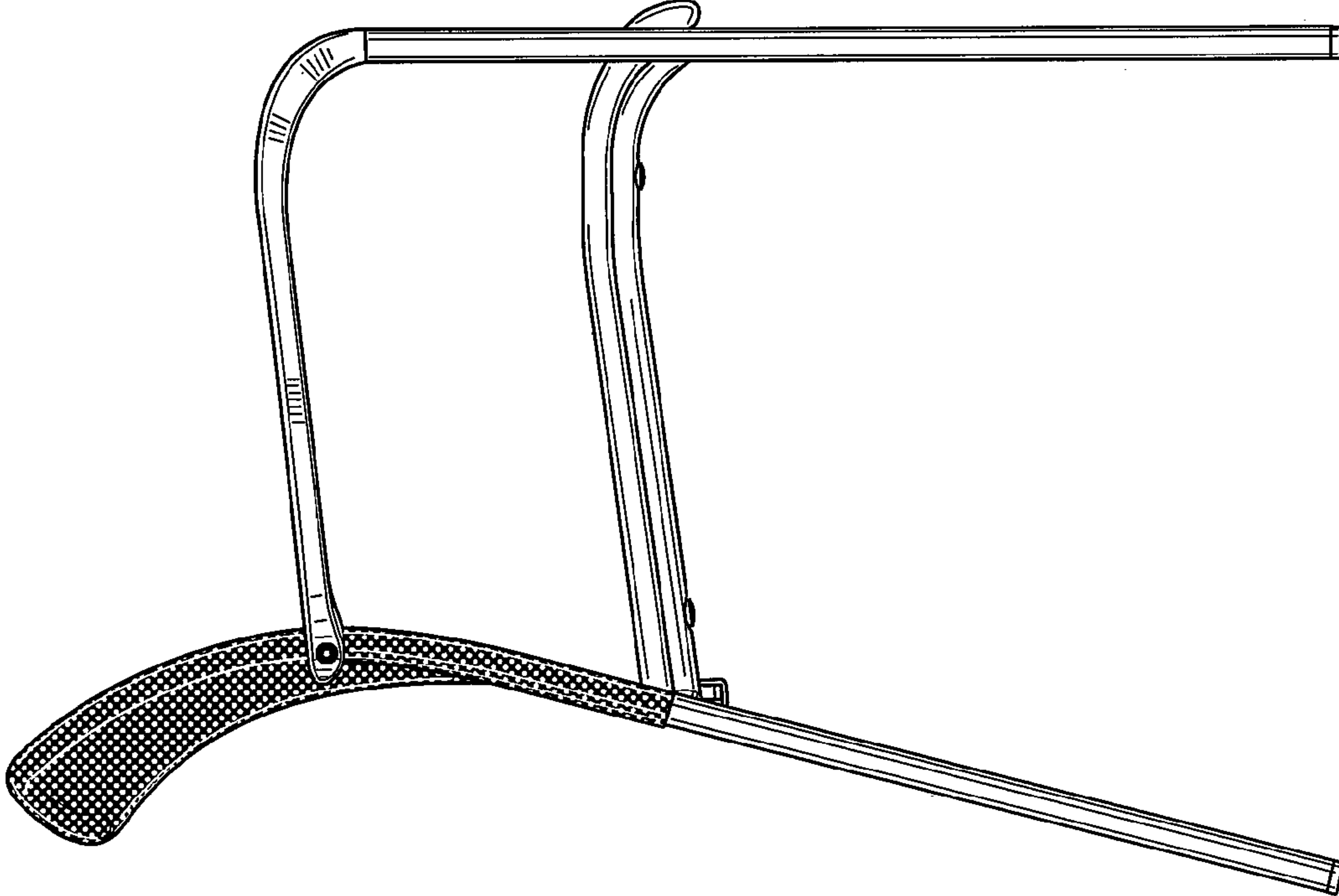


FIG. 3

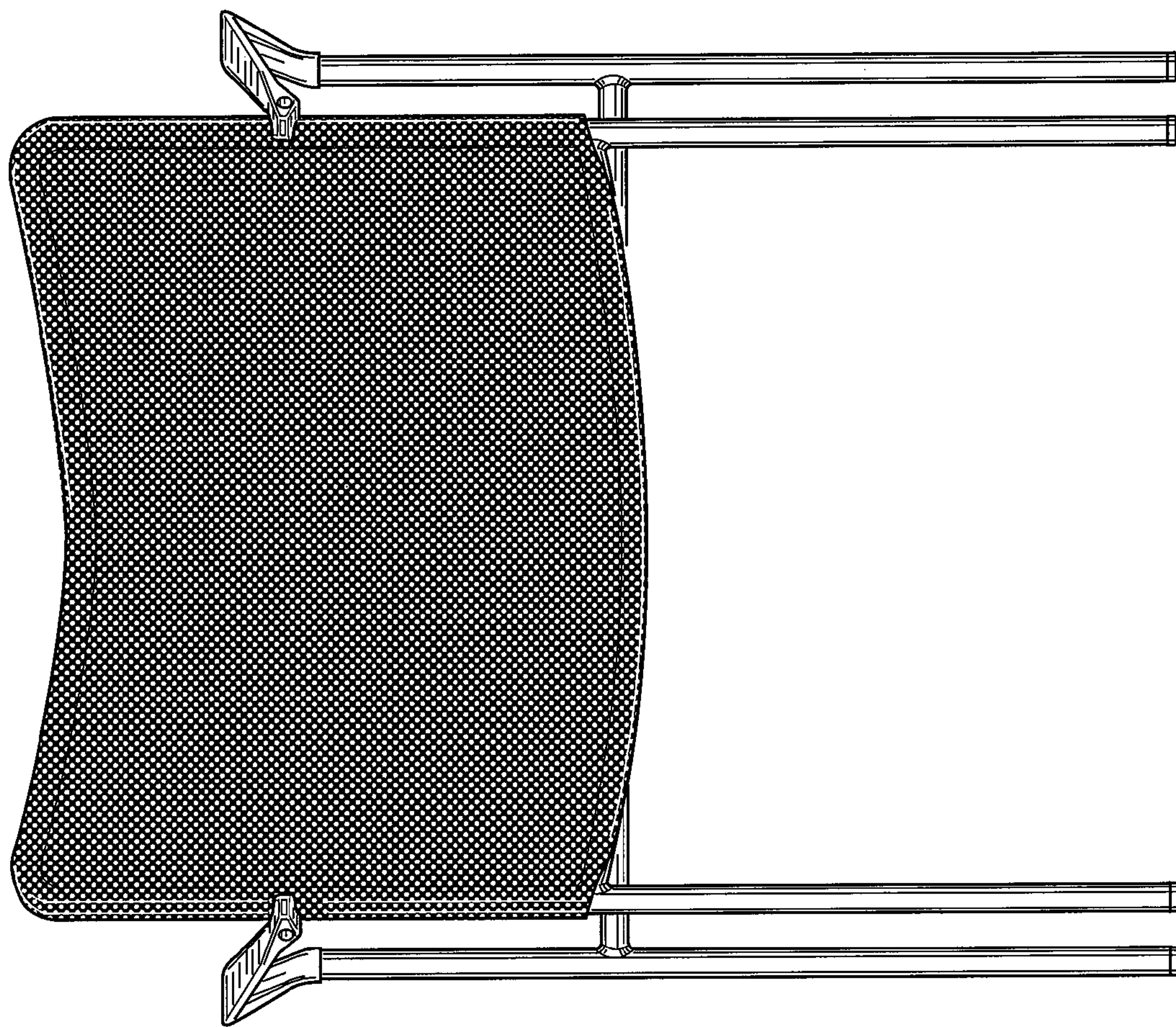


FIG. 6

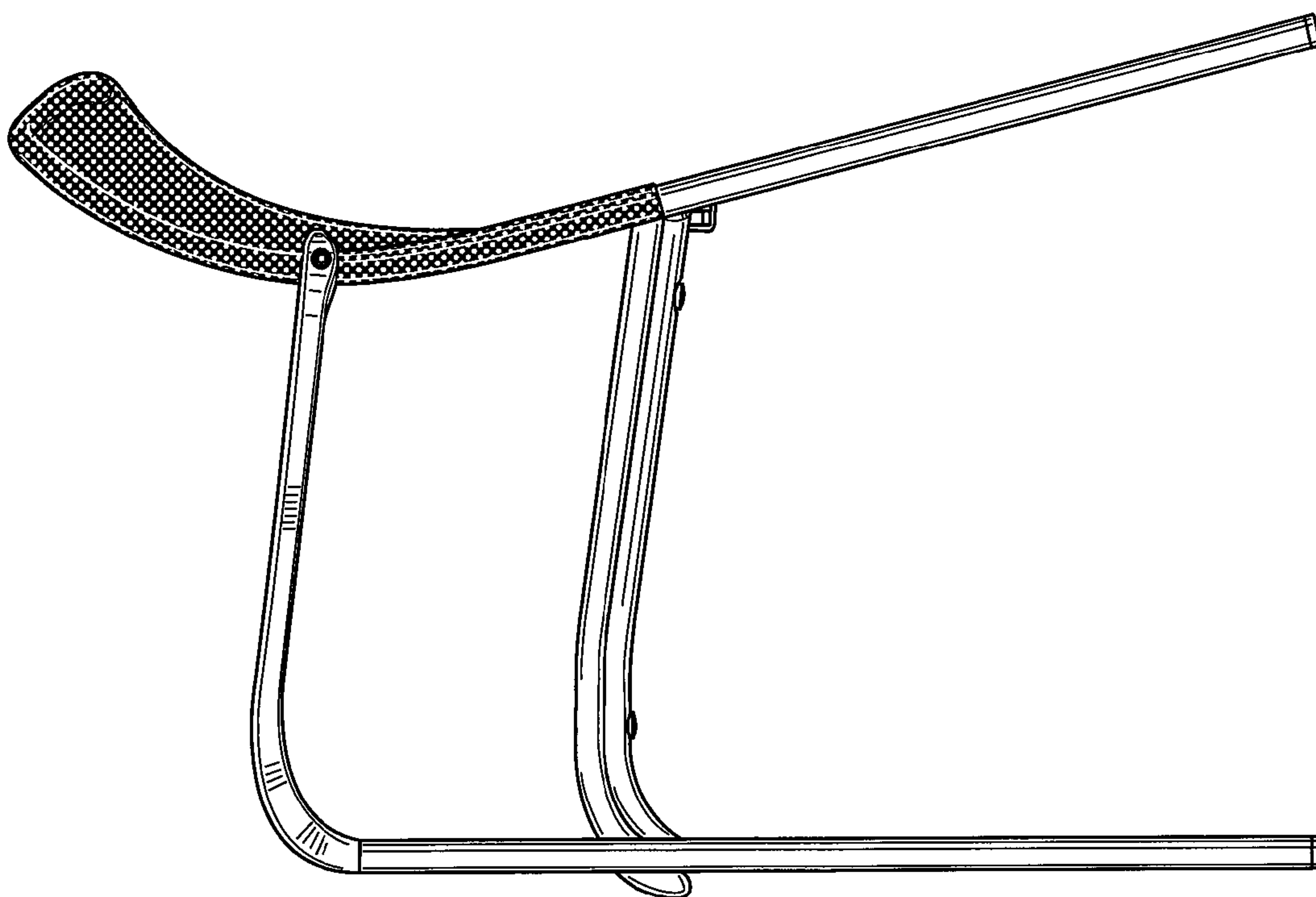


FIG. 5

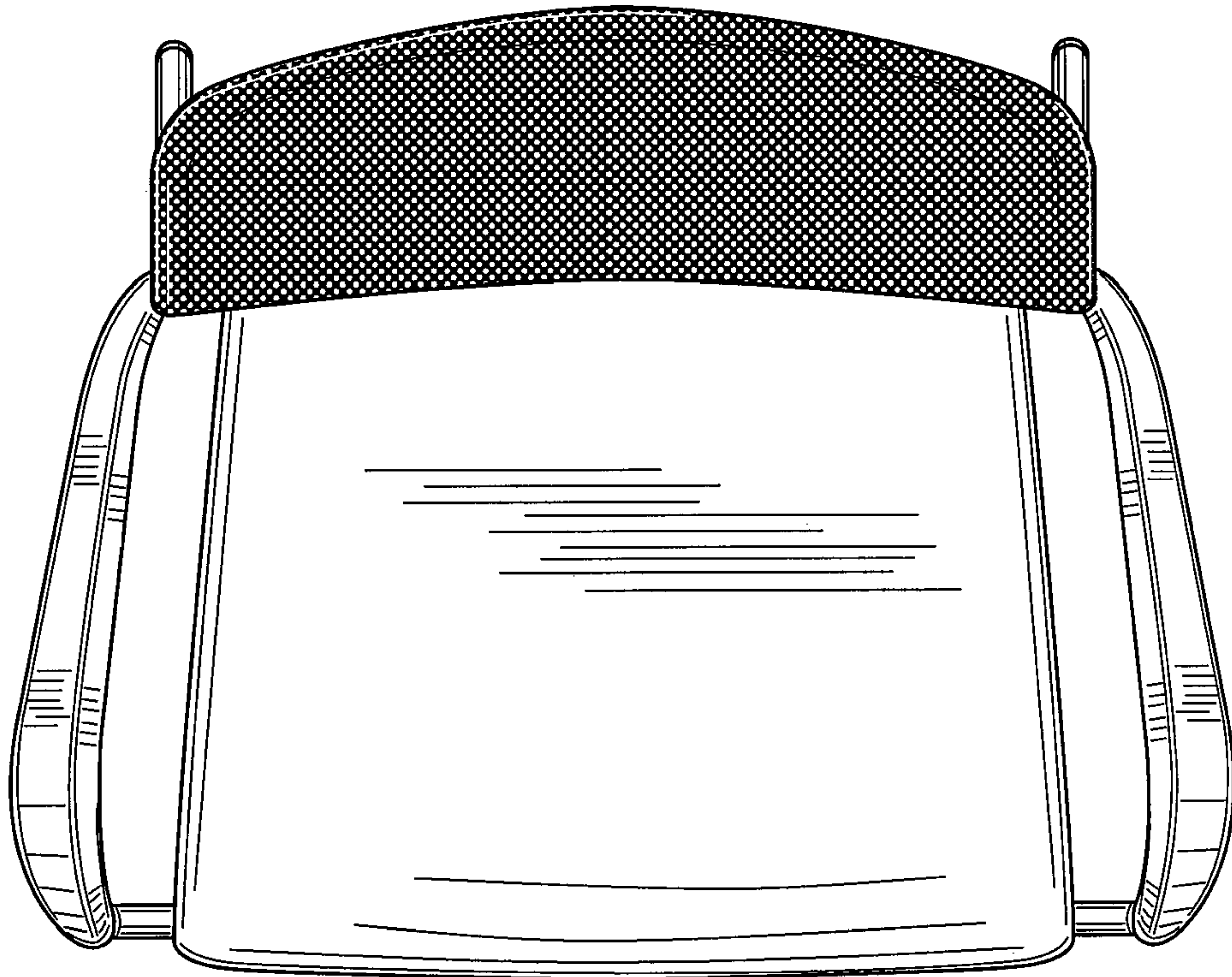


FIG. 7

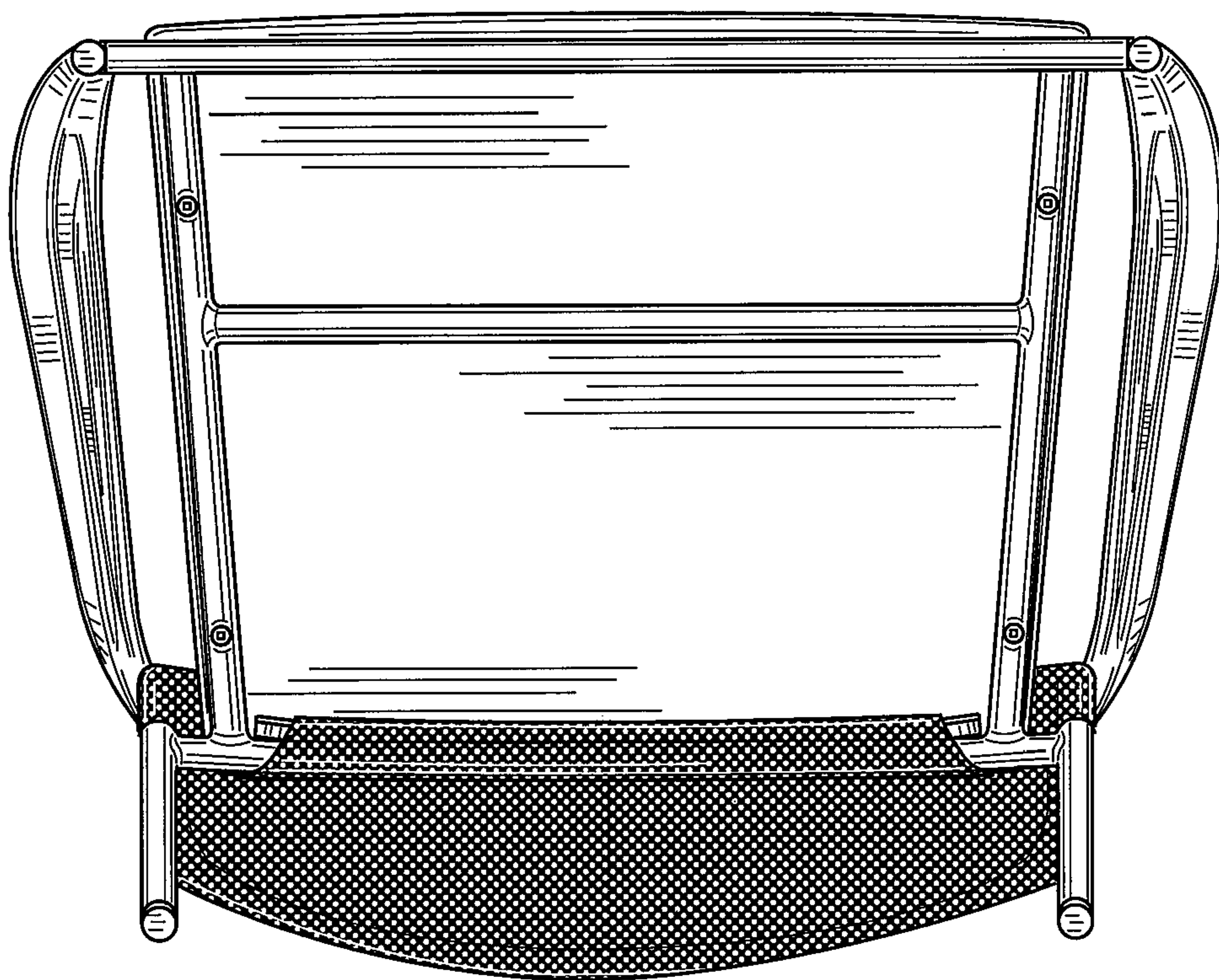


FIG. 8