



US00D602276S

(12) **United States Design Patent**  
**Neil**

(10) **Patent No.:** **US D602,276 S**

(45) **Date of Patent:** **\*\* \*Oct. 20, 2009**

(54) **CHAIR**

(75) Inventor: **Gary Neil, Mississauga (CA)**

(73) Assignee: **Allseating Corporation, Mississauga (CA)**

(\* ) Notice: This patent is subject to a terminal disclaimer.

(\*\* ) Term: **14 Years**

(21) Appl. No.: **29/327,350**

(22) Filed: **Nov. 4, 2008**

(51) **LOC (9) Cl.** ..... **06-01**

(52) **U.S. Cl.** ..... **D6/374**

(58) **Field of Classification Search** ..... D6/334-336, D6/369, 370, 371-373, 374, 375, 376, 379, D6/380, 499, 500-502; 297/239, 411.42, 297/411.43, 446.1, 452.2, 452.29, DIG. 2  
See application file for complete search history.

(56) **References Cited**

**U.S. PATENT DOCUMENTS**

- D312,005 S \* 11/1990 Snodgrass ..... D6/379
- D385,425 S \* 10/1997 Goetz ..... D6/379
- D446,037 S \* 8/2001 Koepke et al. .... D6/379

- D475,543 S \* 6/2003 Savini ..... D6/374
- D524,071 S \* 7/2006 Brooks ..... D6/379
- D540,559 S \* 4/2007 Neil ..... D6/379
- D563,111 S \* 3/2008 Lievore ..... D6/375
- D574,622 S \* 8/2008 Neil ..... D6/374

\* cited by examiner

*Primary Examiner*—Mimosa De  
(74) *Attorney, Agent, or Firm*—Miller Thomson LLP

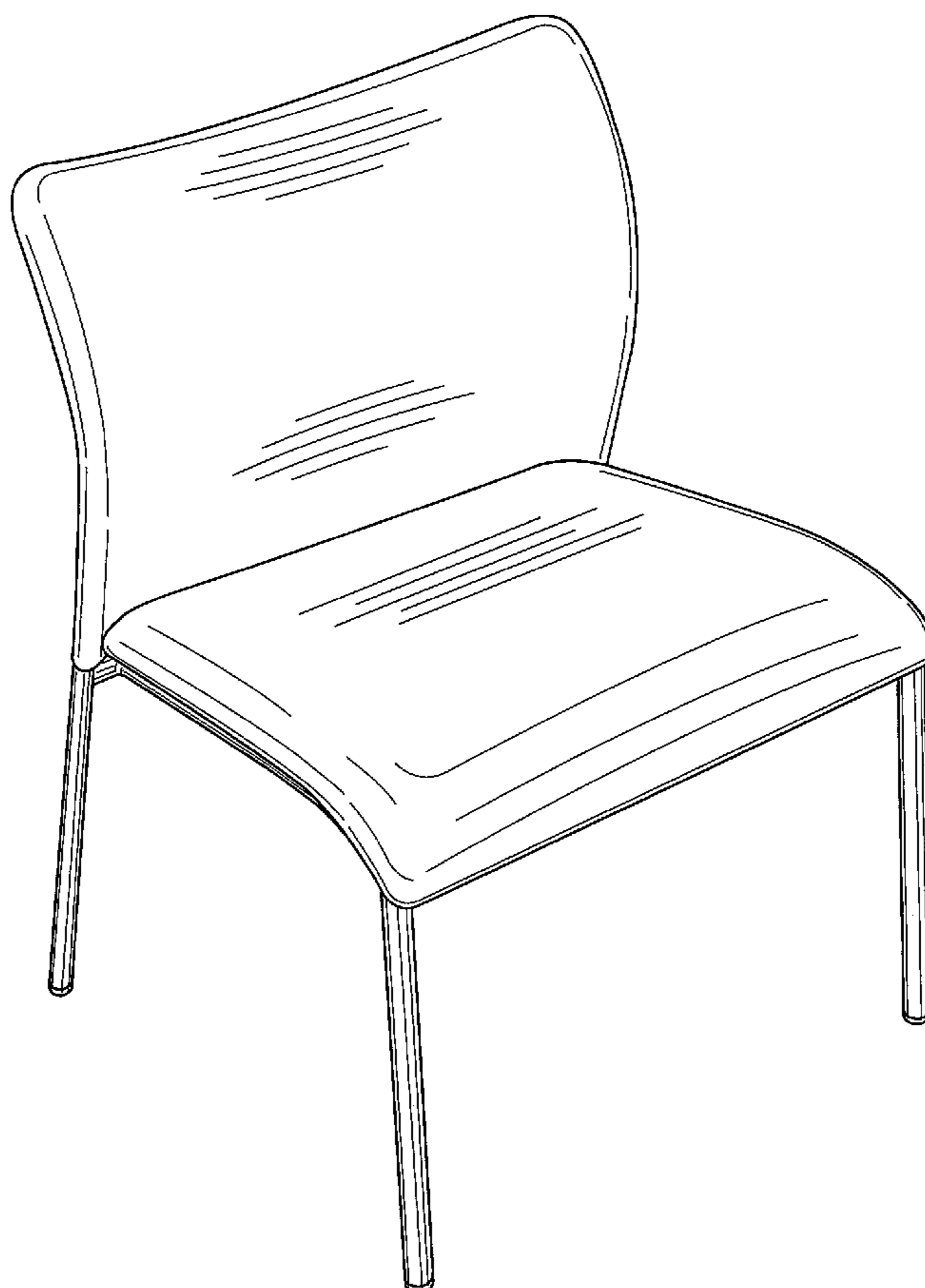
(57) **CLAIM**

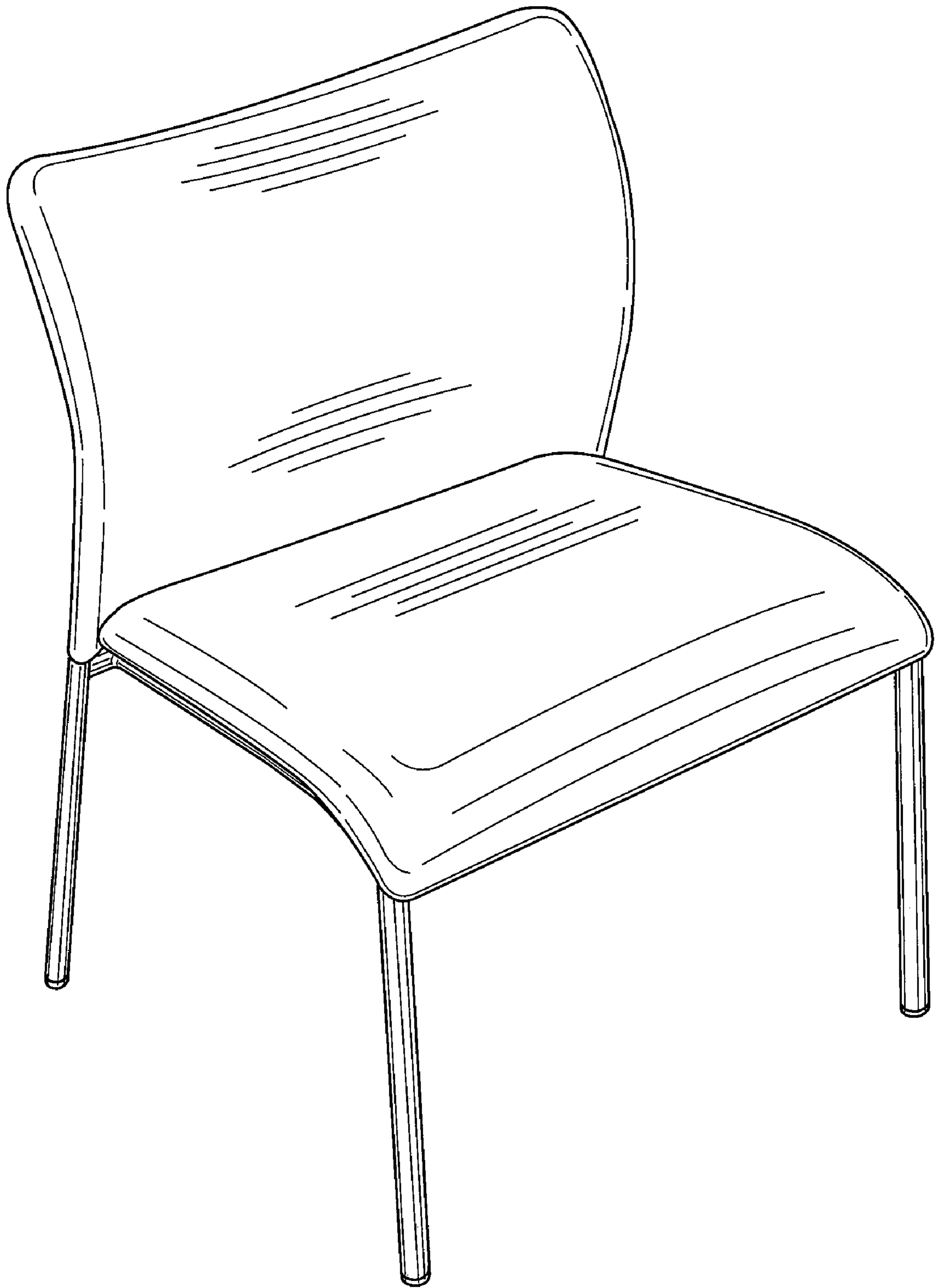
The ornamental design for the “chair,” as shown and described.

**DESCRIPTION**

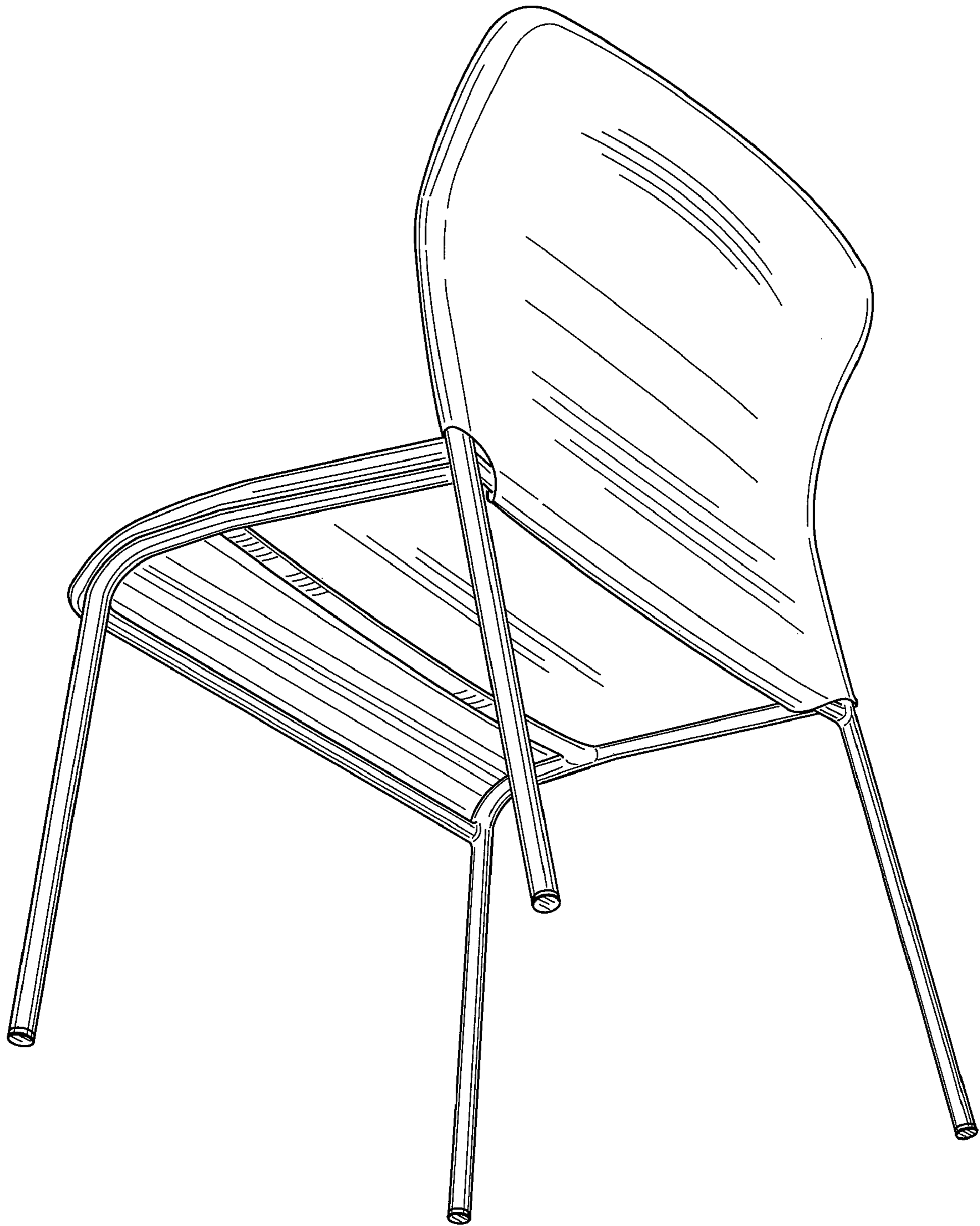
- FIG. 1 is a front perspective view of the chair.
- FIG. 2 is a back perspective view of the chair.
- FIG. 3 is a right side view of the chair.
- FIG. 4 is a front view of the chair.
- FIG. 5 is a left side view of the chair.
- FIG. 6 is a back view of the chair.
- FIG. 7 is a top view of the chair; and,
- FIG. 8 is a bottom view of the chair.

**1 Claim, 5 Drawing Sheets**

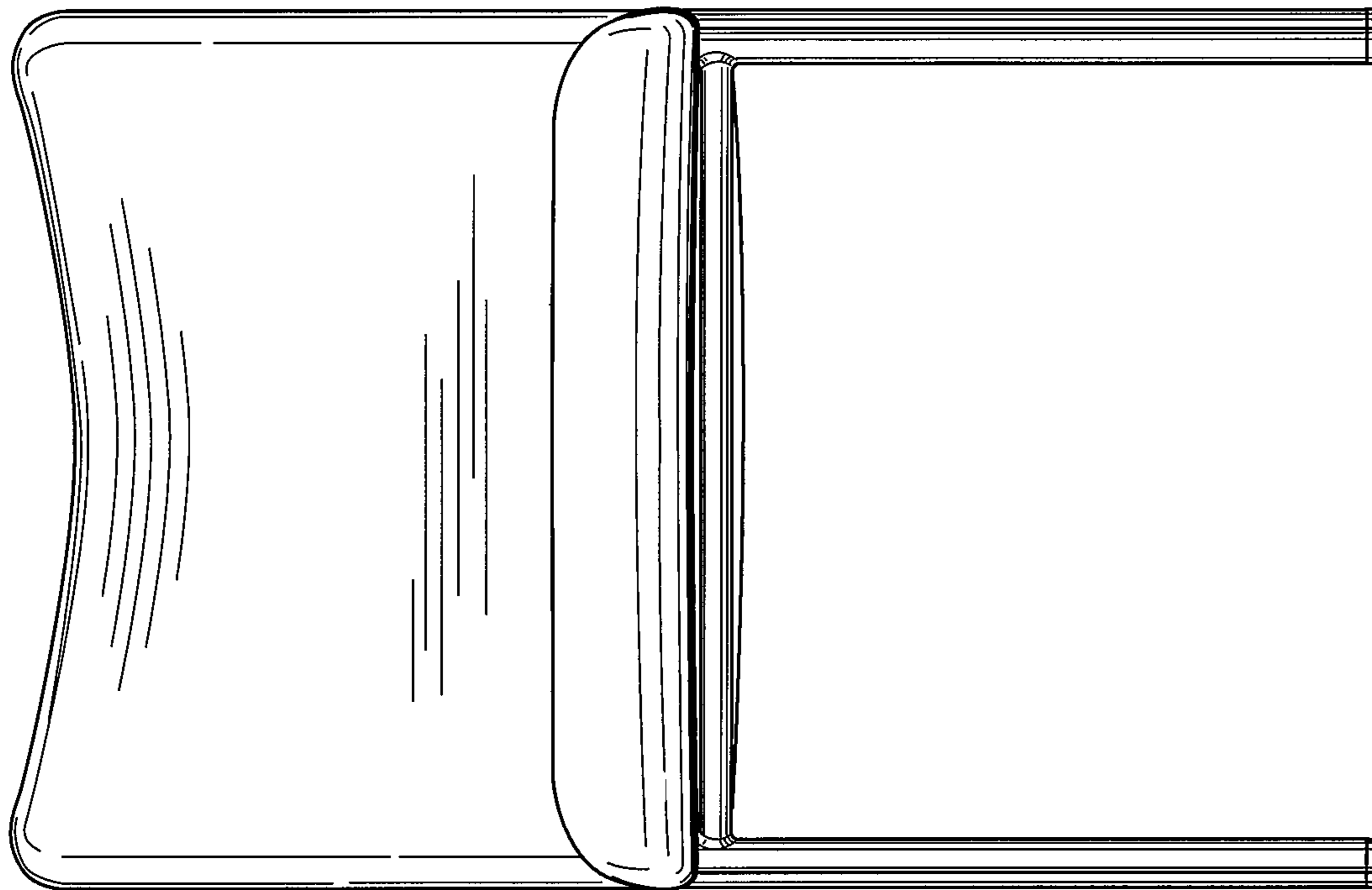




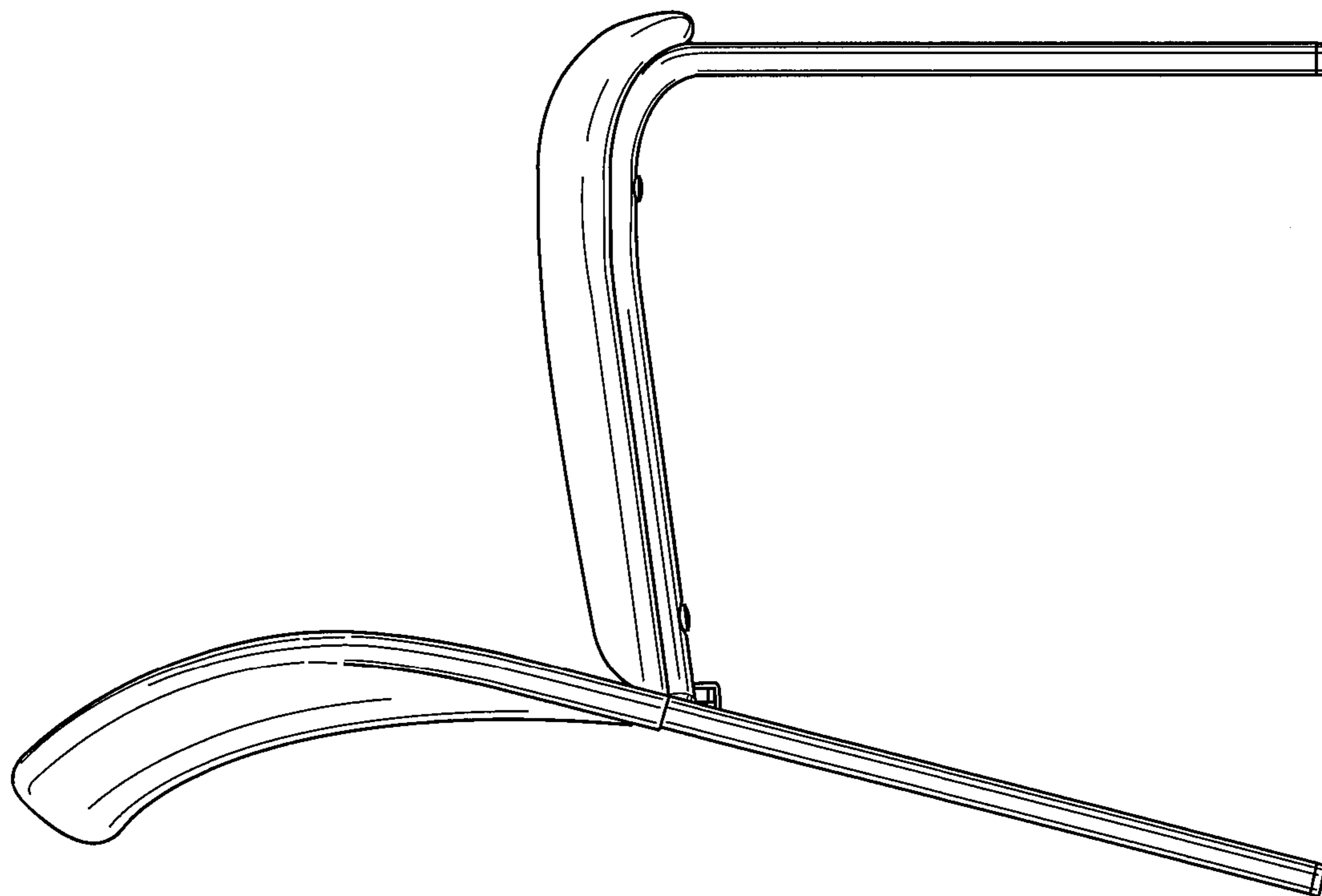
**FIG. 1**



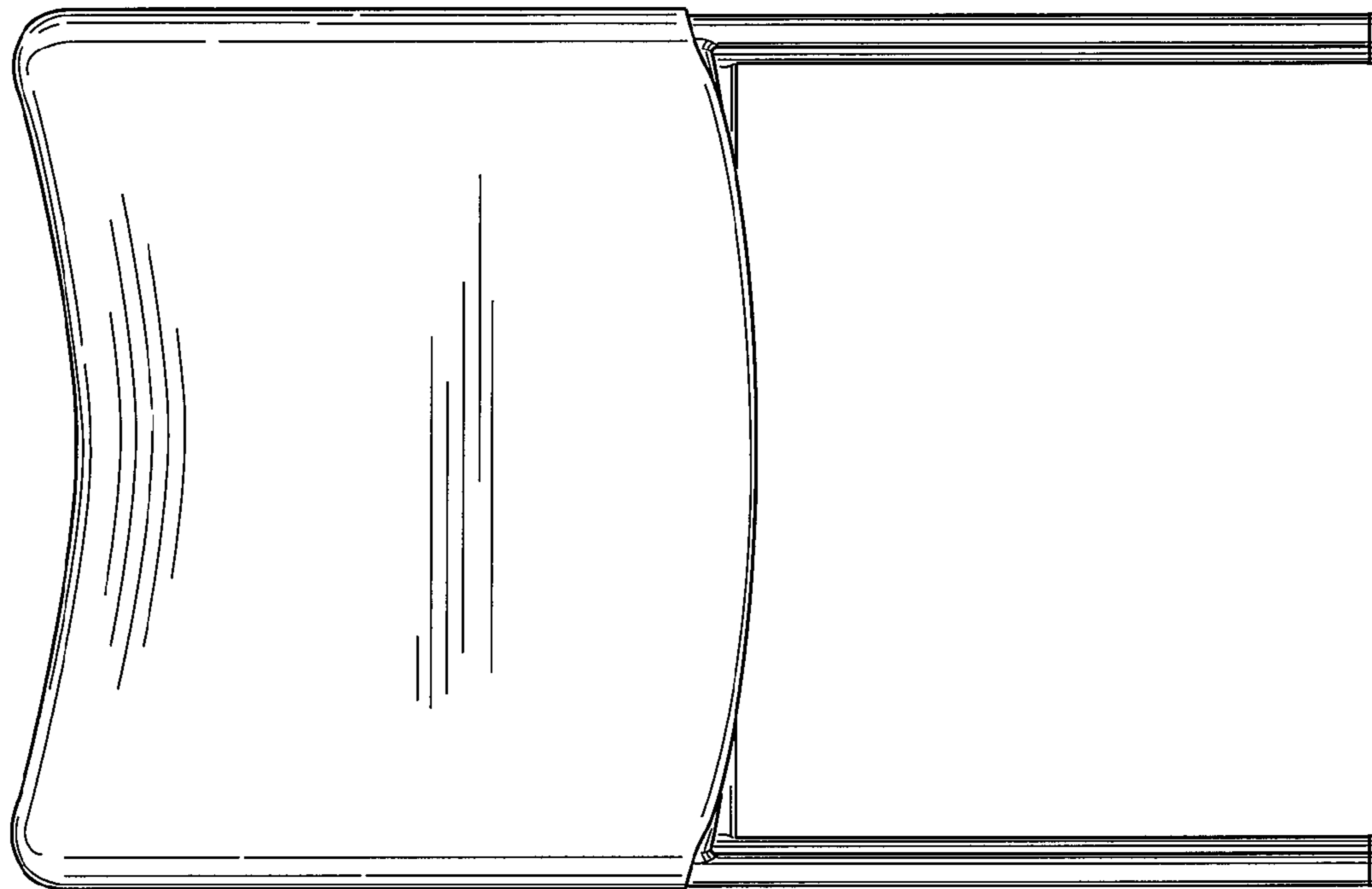
**FIG. 2**



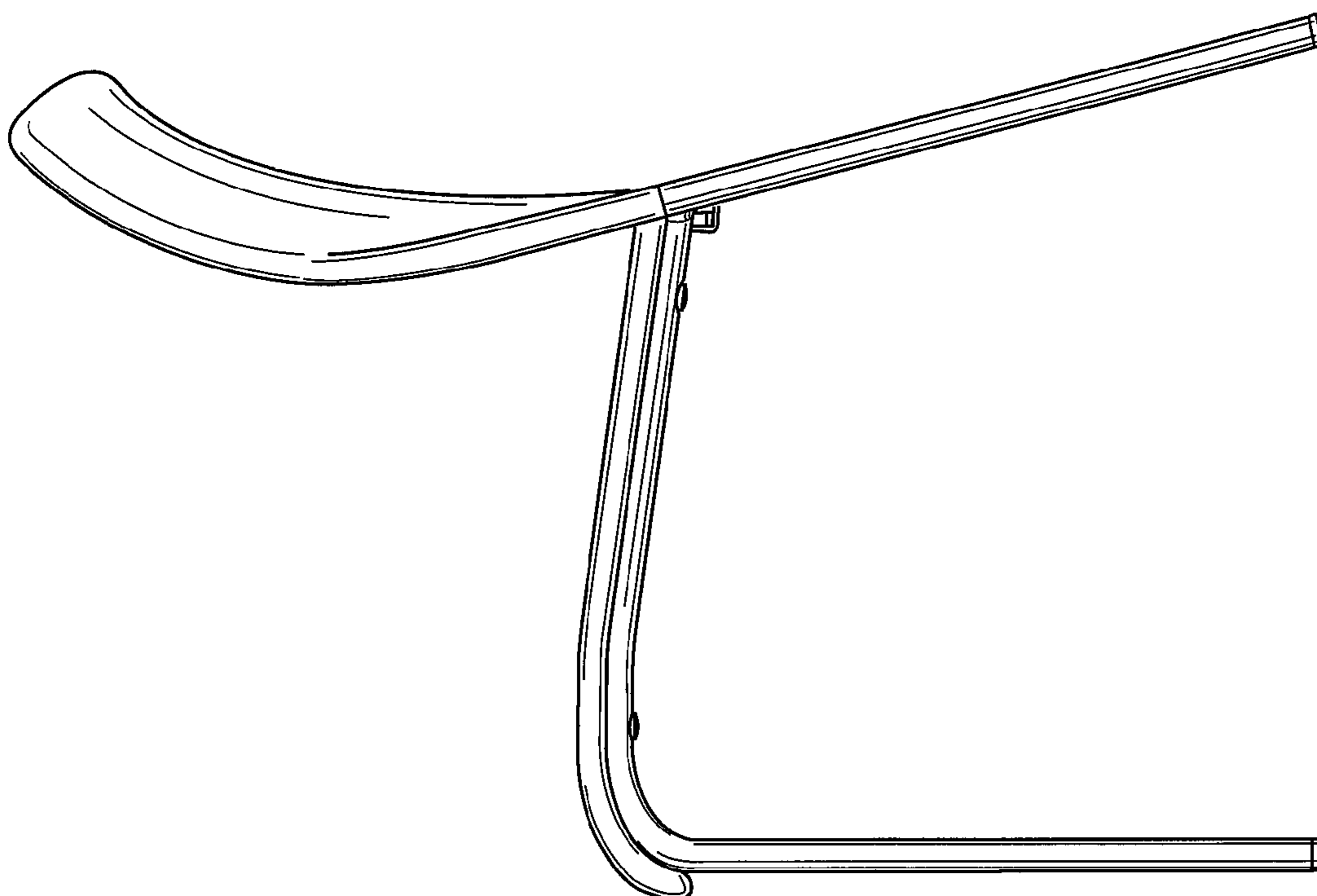
**FIG. 4**



**FIG. 3**



**FIG. 6**



**FIG. 5**



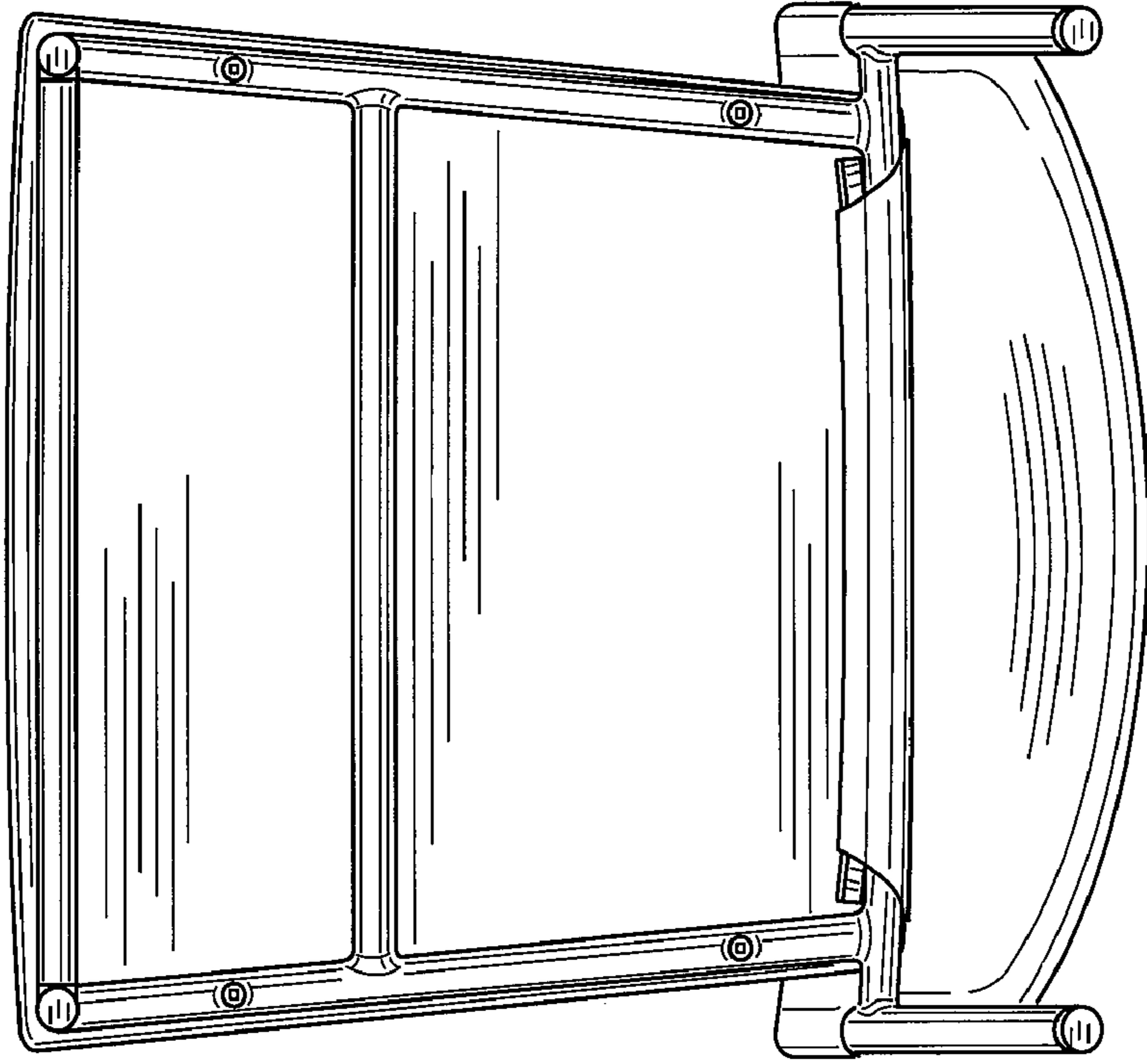


FIG. 8

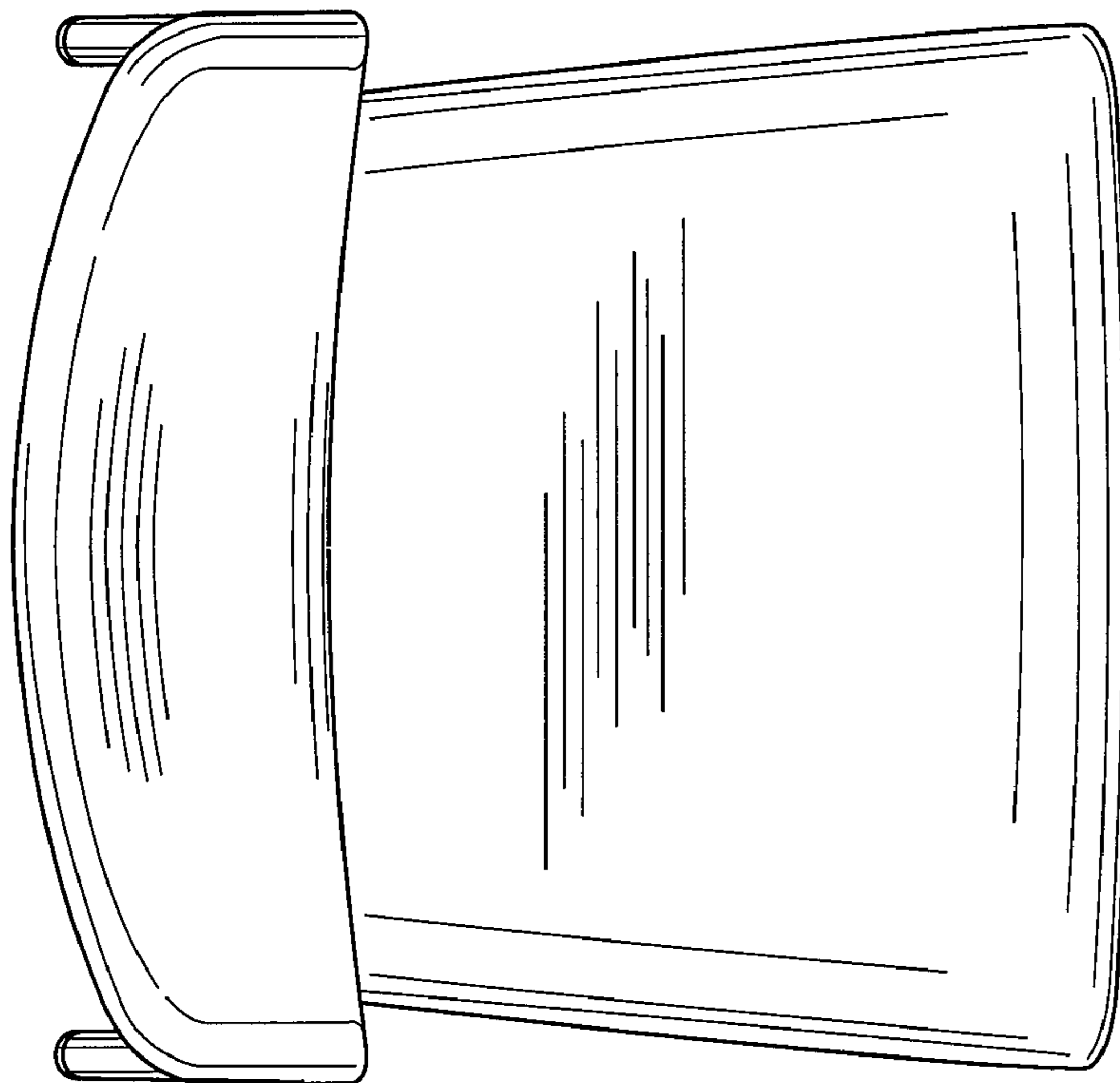


FIG. 7