

US00D602273S

(12) **United States Design Patent**
Starzewski

(10) **Patent No.:** **US D602,273 S**

(45) **Date of Patent:** **** Oct. 20, 2009**

(54) **CHAIR**

(75) Inventor: **Thomas Starzewski**, Ulm (DE)

(73) Assignee: **Sedus Stoll Aktiengesellschaft**,
Waldshut (DE)

(**) Term: **14 Years**

(21) Appl. No.: **29/314,101**

(22) Filed: **Mar. 3, 2009**

(51) **LOC (9) Cl.** **06-01**

(52) **U.S. Cl.** **D6/366**

(58) **Field of Classification Search** D6/334-336,
D6/360-369, 374-375, 379-380, 498, 500-502;
297/284.4, 411.27, 452.13, 452.19, 452.21,
297/452.29, 452.3, 452.56, 452.64
See application file for complete search history.

(56) **References Cited**

U.S. PATENT DOCUMENTS

- D390,026 S * 2/1998 Biecher D6/375
- D440,419 S * 4/2001 Roder D6/366
- D462,536 S * 9/2002 Levy D6/375
- D463,149 S * 9/2002 Levy D6/375

- D465,100 S * 11/2002 Savini D6/375
- D468,121 S * 1/2003 Lepper et al. D6/366
- D492,131 S * 6/2004 Starck D6/375
- D557,917 S * 12/2007 Nakamura et al. D6/366
- D576,812 S * 9/2008 Van Severen D6/366
- D585,207 S * 1/2009 Bauchet D6/375

FOREIGN PATENT DOCUMENTS

EP ECD 000972195-0001 7/2008

* cited by examiner

Primary Examiner—Caron Veynar

Assistant Examiner—Ricky Pham

(74) *Attorney, Agent, or Firm*—D. Peter Hochberg; Sean F. Mellino; Daniel J. Smola

(57) **CLAIM**

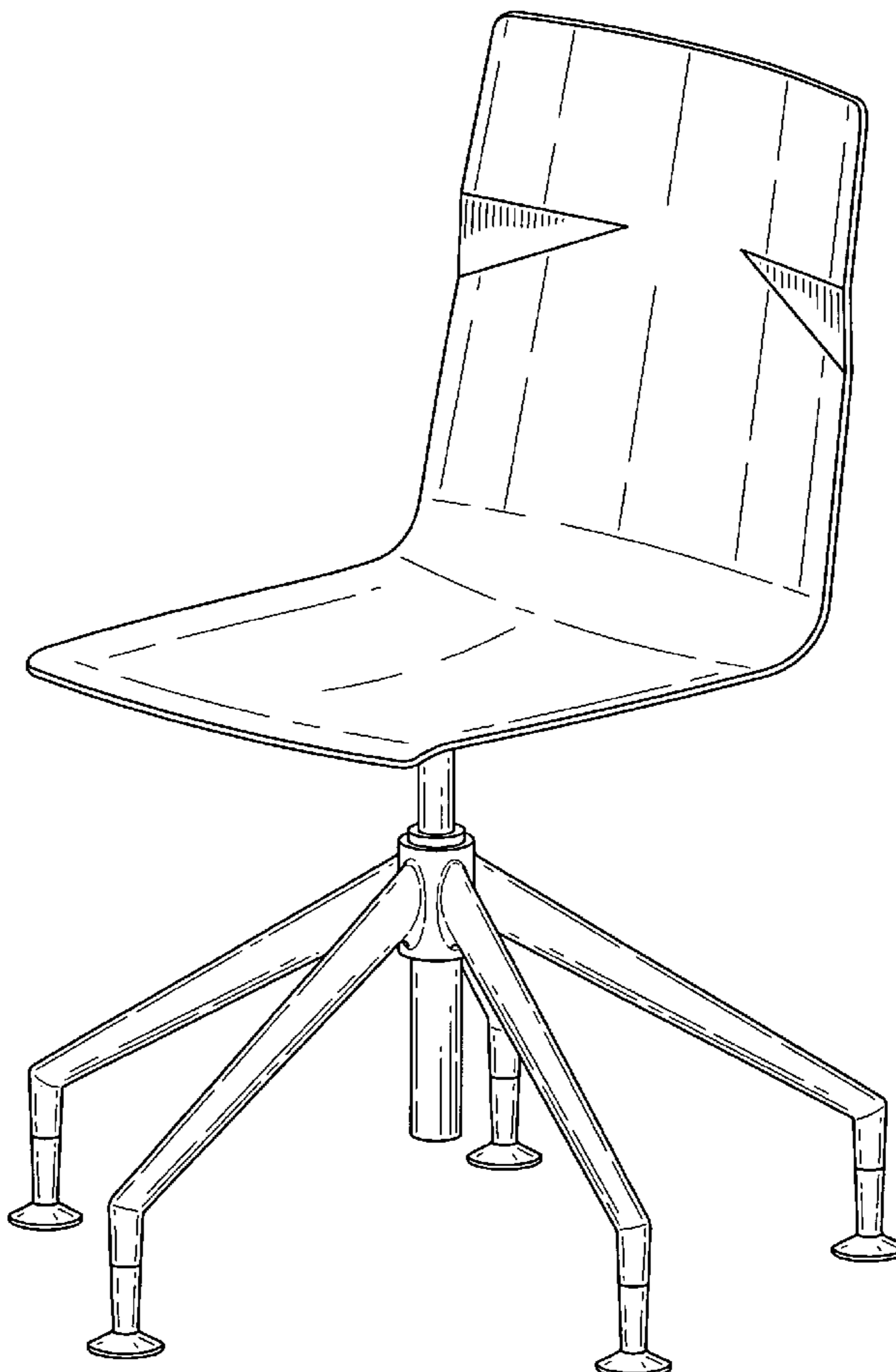
The ornamental design for a chair, as shown and described.

DESCRIPTION

FIG. 1 is a front perspective view of the chair according to the invention; and,

FIG. 2 is a rear perspective view of the chair according to the invention as shown in FIG. 1.

1 Claim, 2 Drawing Sheets



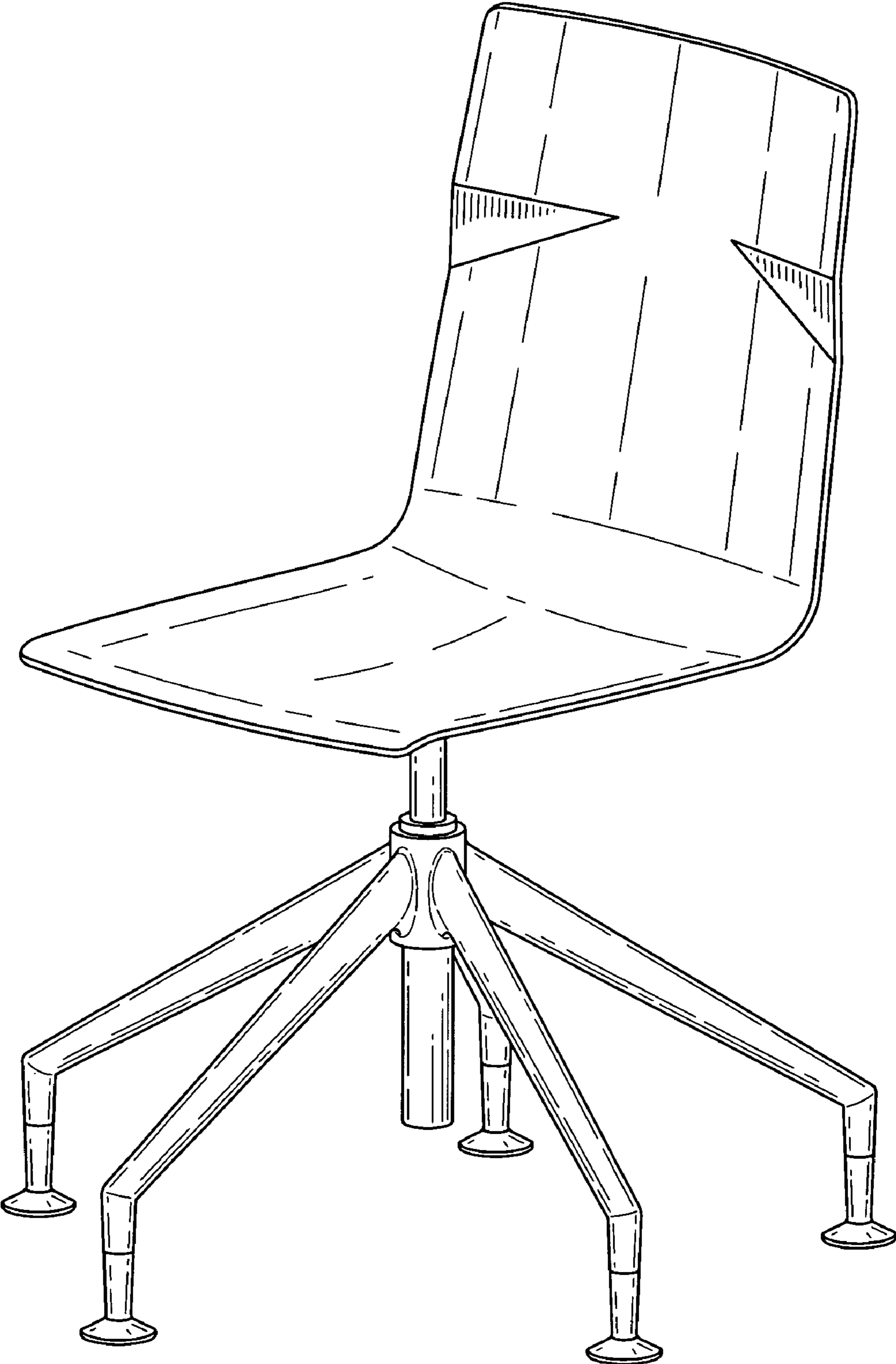


FIG-1

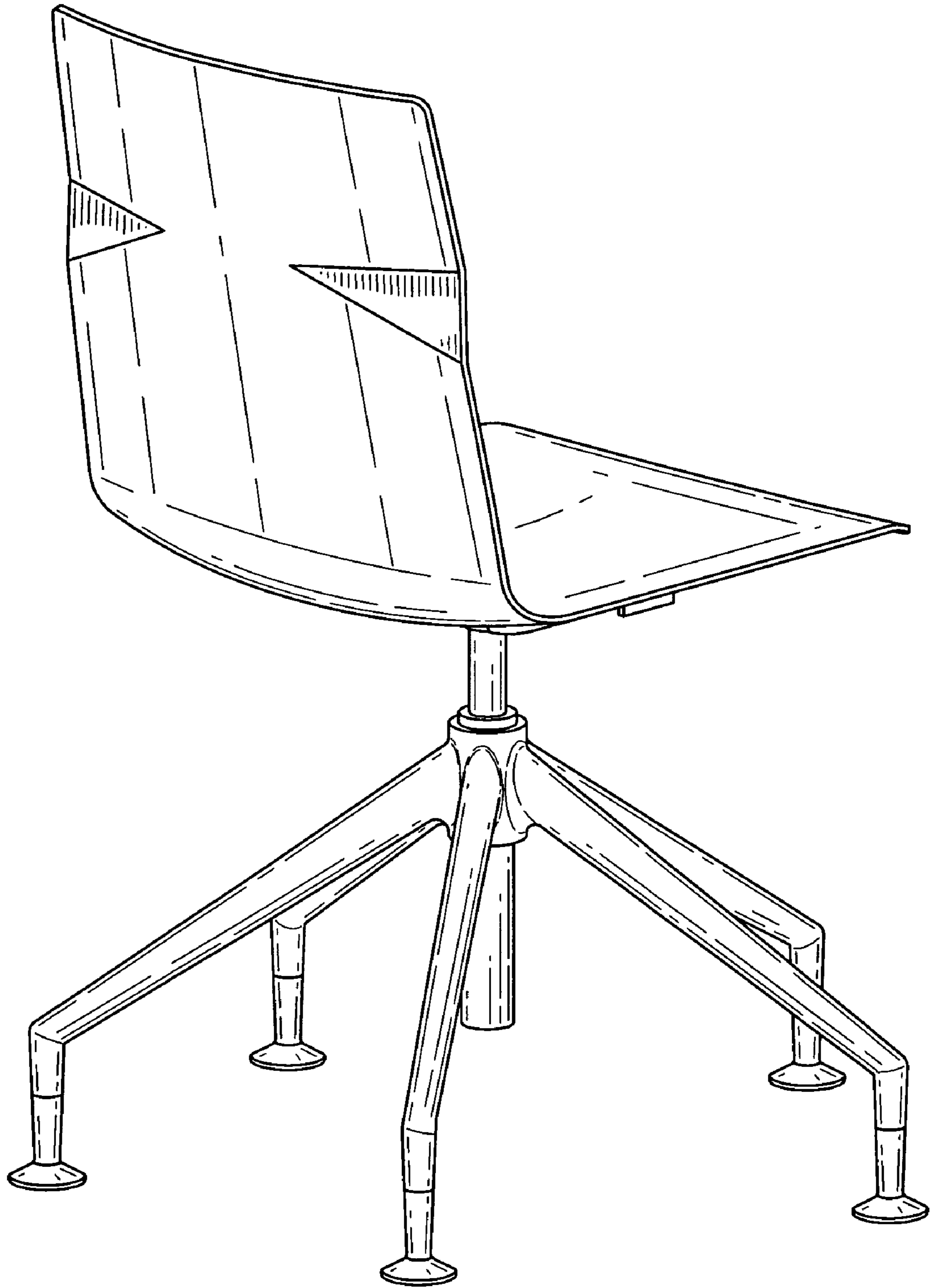


FIG-2