



US00D602271S

(12) **United States Design Patent**
Schwartz et al.

(10) **Patent No.:** **US D602,271 S**

(45) **Date of Patent:** **** Oct. 20, 2009**

(54) **BENCH**

(75) Inventors: **Elisabeth Schwartz**, Munich (DE);
Michael Waldron, Munich (DE); **Sonja Schiefer**, Munich (DE)

(73) Assignee: **Landscape Forms, Inc.**, Kalamazoo, MI (US)

(**) Term: **14 Years**

(21) Appl. No.: **29/335,543**

(22) Filed: **Apr. 17, 2009**

(51) **LOC (9) Cl.** **06-01**

(52) **U.S. Cl.** **D6/355**

(58) **Field of Classification Search** D6/334-336,
D6/349, 355, 370, 371-373, 374, 375, 376,
D6/381, 436, 485, 500-502; 297/232, 445.1,
297/446.1, 451.7, 452.1, 452.18; 312/114
See application file for complete search history.

(56) **References Cited**

U.S. PATENT DOCUMENTS

4,230,365 A * 10/1980 Messinger 297/452.19
D274,676 S * 7/1984 Massonnet D6/349

D427,815 S * 7/2000 Lewis D6/485
D548,484 S * 8/2007 Kieffer D6/436
2007/0188006 A1 * 8/2007 Zahner 297/451.7

* cited by examiner

Primary Examiner—Mimosa De

(74) *Attorney, Agent, or Firm*—Heslin Rothenberg Farley & Mesiti P.C.

(57) **CLAIM**

The ornamental design for the bench, as shown and described.

DESCRIPTION

This application is related to commonly assigned, concurrently filed applications Ser. No. 29/335,535, Ser. No. 29/335,540, and Ser. No. 29/335,542.

FIG. 1 is an isometric view of the bench of the present design;

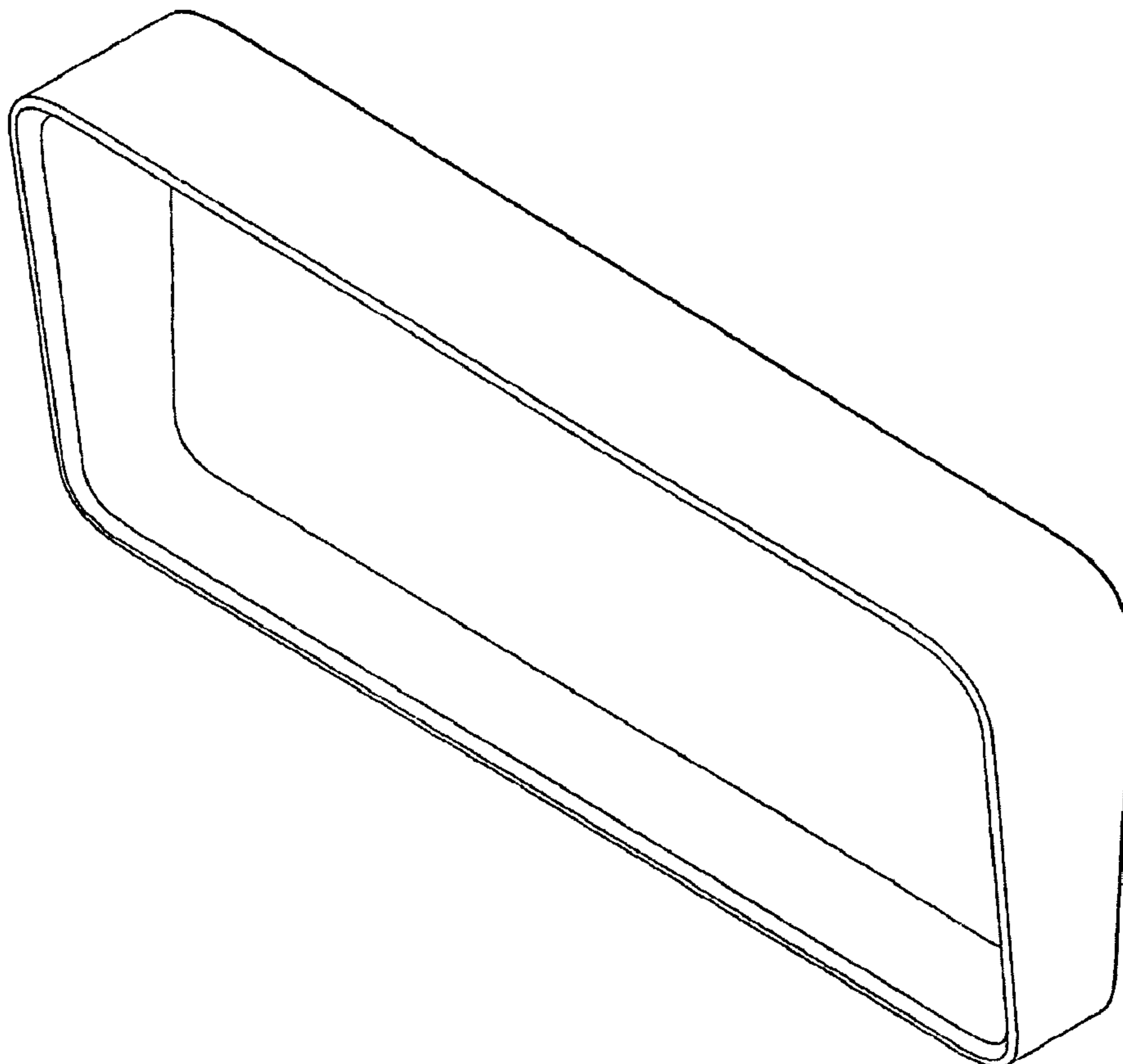
FIG. 2 is a front elevation view thereof;

FIG. 3 is a right side elevation view thereof, the left side elevation view being a mirror image thereof;

FIG. 4 is a rear elevation view thereof; and,

FIG. 5 is a top plan view thereof.

1 Claim, 5 Drawing Sheets



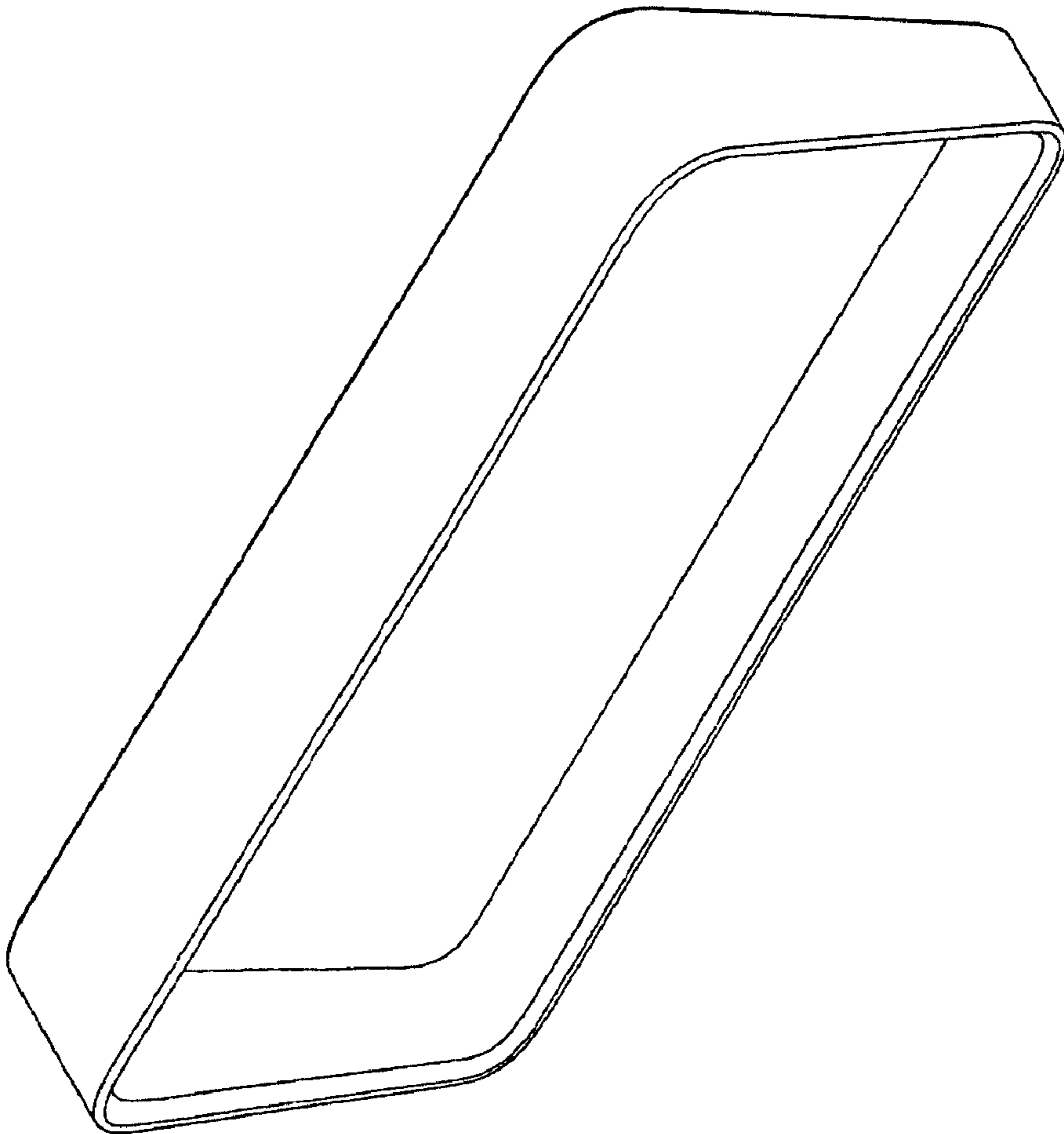


FIGURE 1

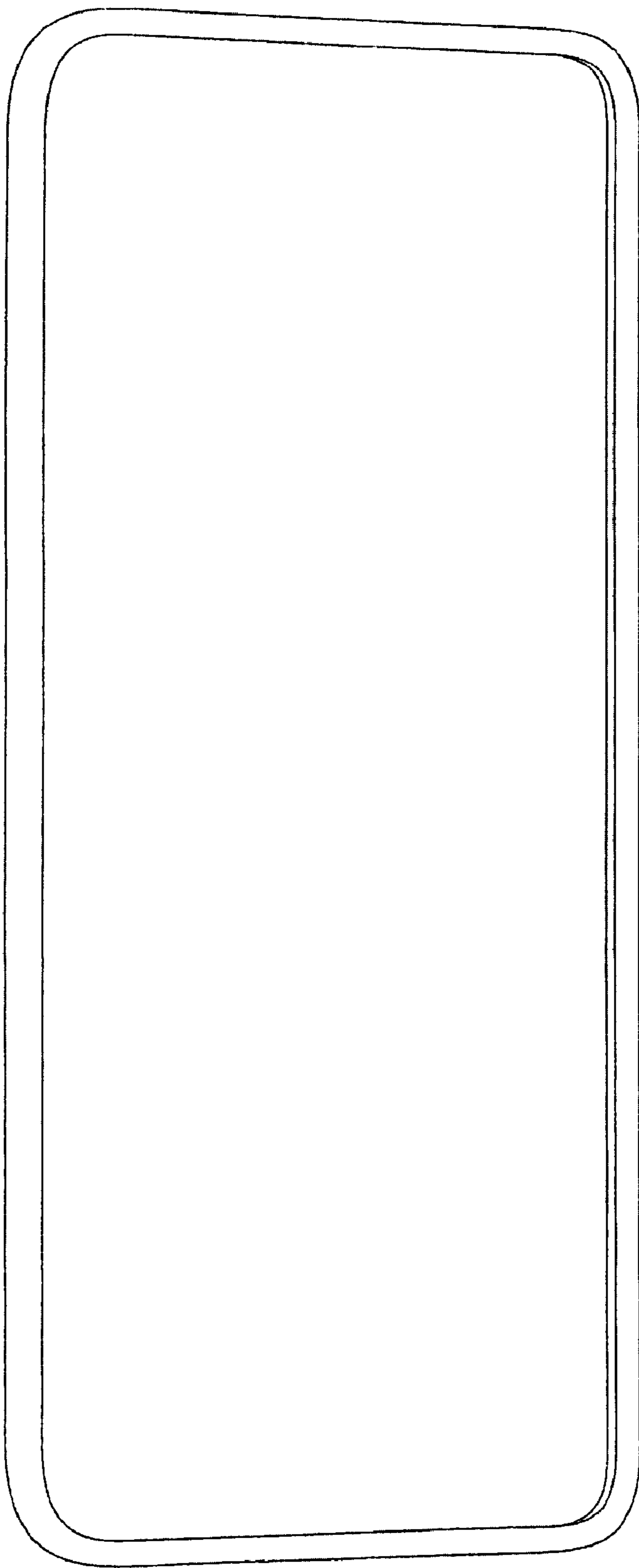


FIGURE 2

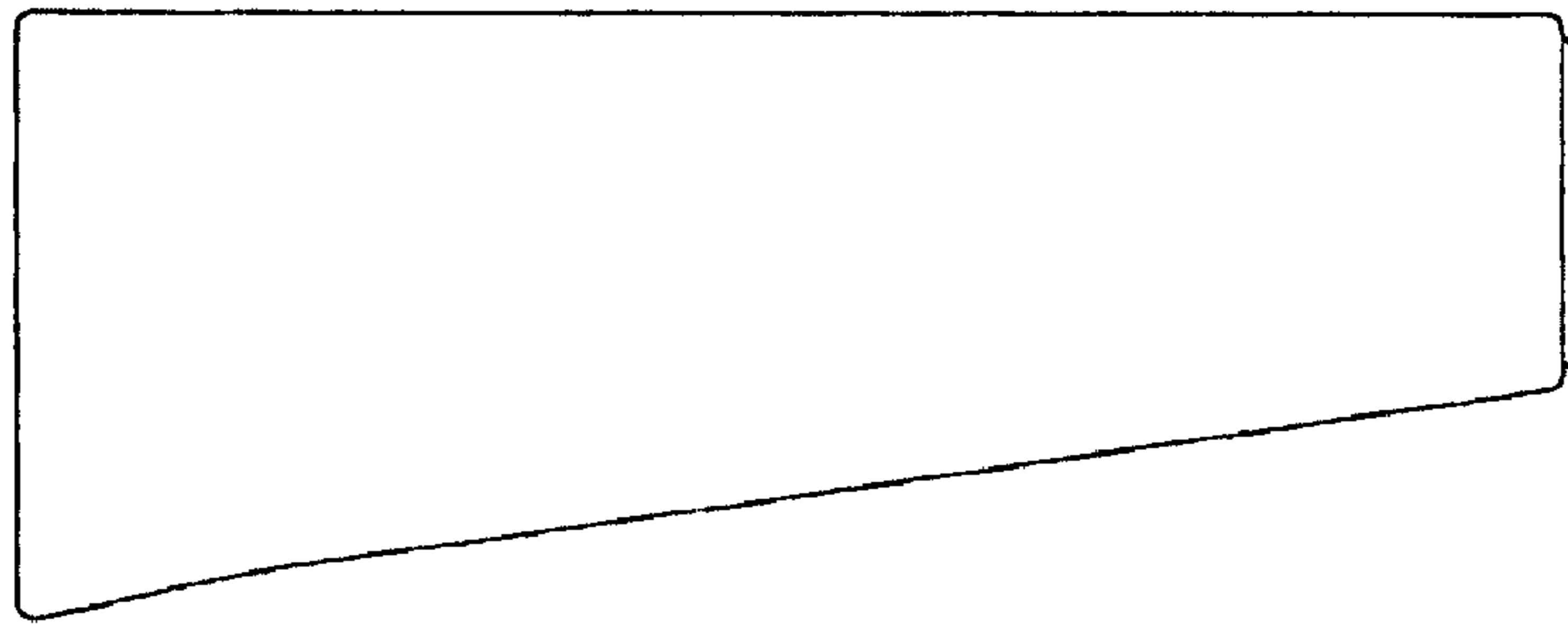


FIGURE 3

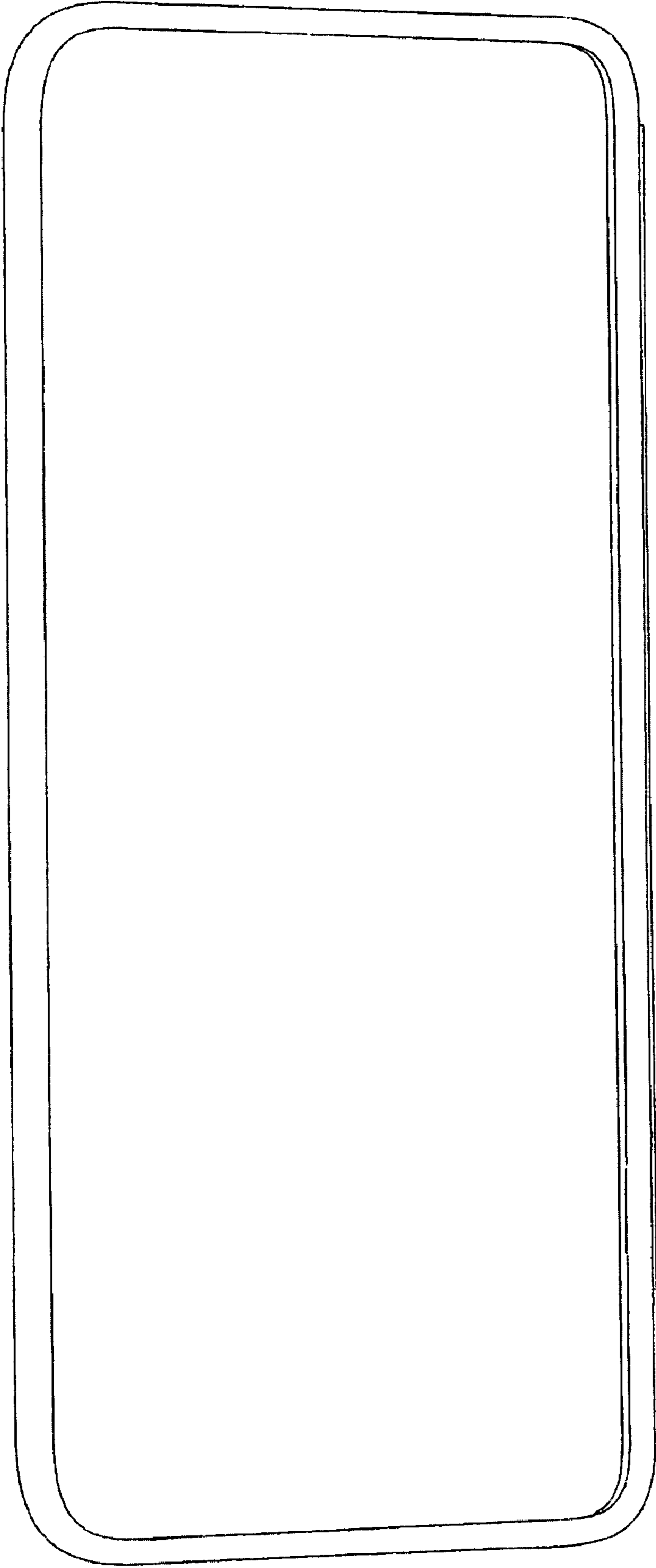


FIGURE 4

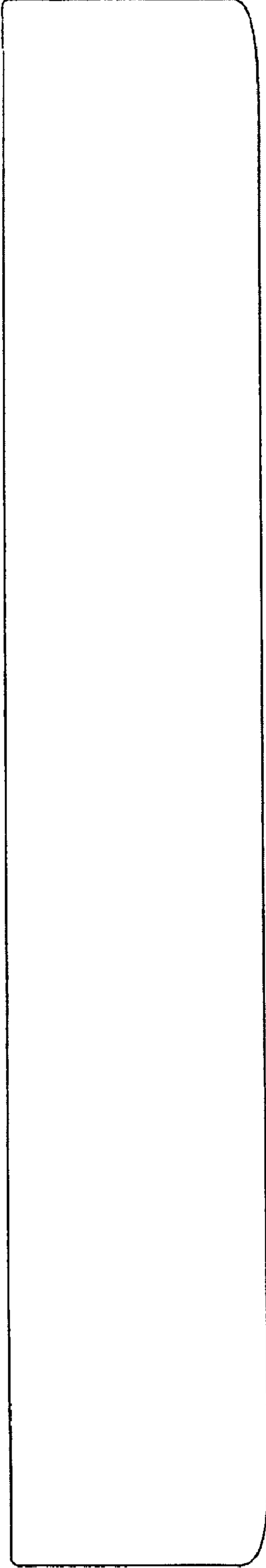


FIGURE 5