



US00D602270S

(12) **United States Design Patent**
Castro, Jr.

(10) **Patent No.:** **US D602,270 S**

(45) **Date of Patent:** **** Oct. 20, 2009**

(54) **PORTABLE SEATING**

(76) **Inventor:** **Rodolfo de la Paz Castro, Jr.**, 5929
Onondaga Rd., Bethesda, MD (US)
20816

(**) **Term:** **14 Years**

(21) **Appl. No.:** **29/308,893**

(22) **Filed:** **Jul. 15, 2008**

(51) **LOC (9) Cl.** **06-01**

(52) **U.S. Cl.** **D6/348; D6/368**

(58) **Field of Classification Search** D6/334-336,
D6/360-369, 370-375, 379-381, 498, 500-502;
29/91.1; 108/156; 297/3, 68, 284.4, 344.19,
297/423.1, 423.19, 440.13, 452.12, 452.17,
297/452.21, 452.29, 452.3, 452.56, 452.64
See application file for complete search history.

(56) **References Cited**

U.S. PATENT DOCUMENTS

D144,730	S *	5/1946	Perrault	D6/374
2,776,700	A *	1/1957	Potter et al.	297/3
3,527,497	A *	9/1970	Self	297/440.13
D221,425	S *	8/1971	Pasakarals	D6/371
3,788,700	A *	1/1974	Wartes	297/440.13
4,140,065	A *	2/1979	Chacon	108/156
5,992,938	A *	11/1999	Jones	297/440.13
6,568,058	B1 *	5/2003	Wieland et al.	29/91.1
6,619,749	B2 *	9/2003	Willy	297/440.13
D493,971	S *	8/2004	Willy	D6/368
D514,340	S *	2/2006	Frey	D6/368
D584,067	S *	1/2009	Koukios	D6/375
2004/0056526	A1 *	3/2004	Willy	297/440.13

* cited by examiner

Primary Examiner—Caron Veynar

Assistant Examiner—Ricky Pham

(57) **CLAIM**

The ornamental design for a portable seating, as shown and described.

DESCRIPTION

FIG. 1 is a front right perspective view of the first embodiment of portable seating

FIG. 2 is a front elevation view thereof;

FIG. 3 is a rear view elevation view thereof;

FIG. 4 is a side elevation view thereof, the left side being a mirror image

FIG. 5 is a top plan view thereof;

FIG. 6 is a bottom plan view thereof; and

FIG. 7 is an exploded view showing the separate components thereof.

FIG. 8 is a front right perspective view of the second embodiment of portable seating

FIG. 9 is a front elevation view thereof;

FIG. 10 is a rear view elevation view thereof;

FIG. 11 is a side elevation view thereof, the left side being a mirror image

FIG. 12 is a top plan view thereof;

FIG. 13 is a bottom plan view thereof; and

FIG. 14 is an exploded view showing the separate components thereof.

FIG. 15 is a front right perspective view of the third embodiment of portable seating

FIG. 16 is a front elevation view thereof;

FIG. 17 is a rear view elevation view thereof;

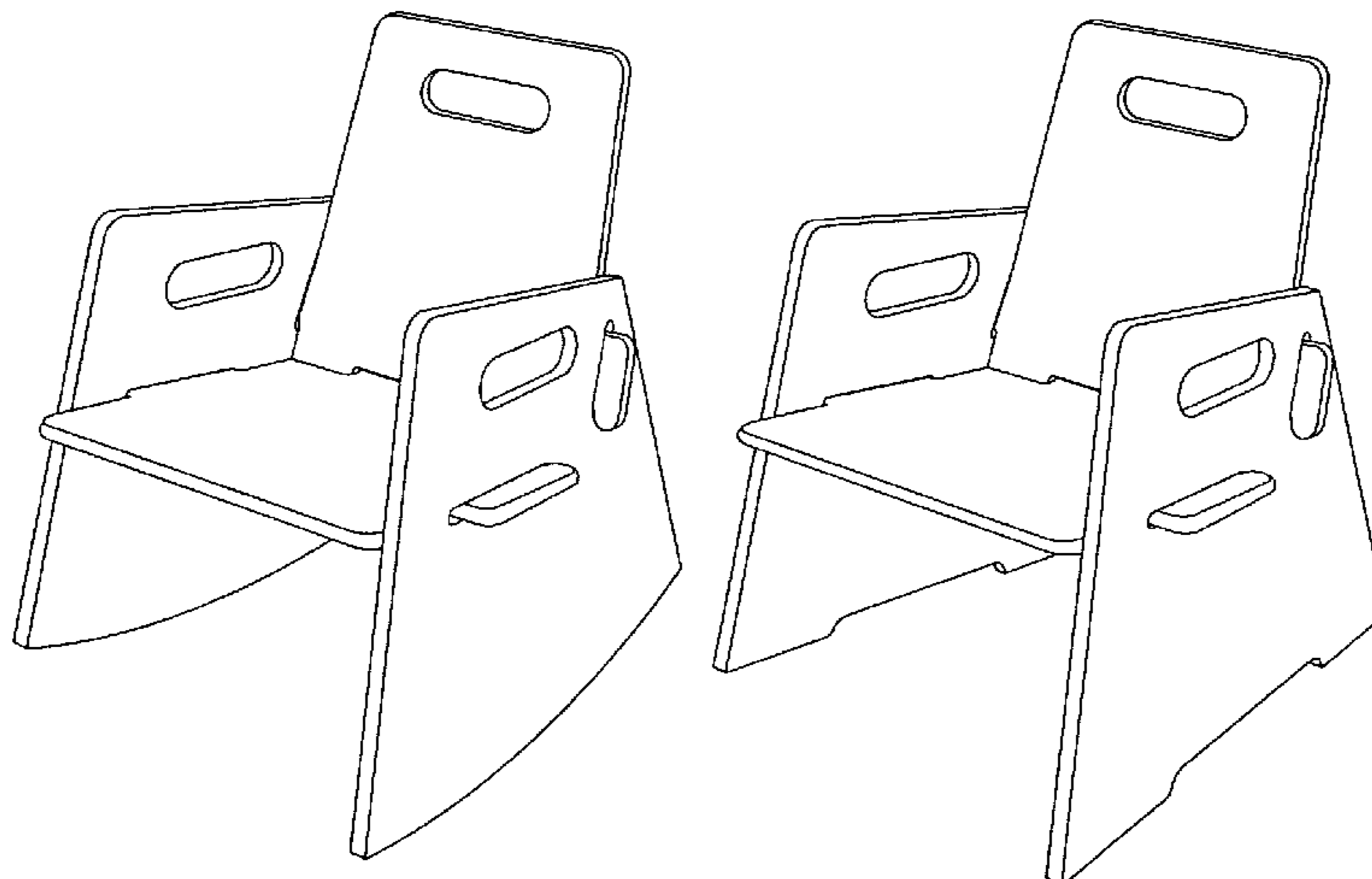
FIG. 18 is a side elevation view thereof, the left side being a mirror image

FIG. 19 is a top plan view thereof;

FIG. 20 is a bottom plan view thereof; and,

FIG. 21 is an exploded view showing the separate components thereof.

1 Claim, 9 Drawing Sheets



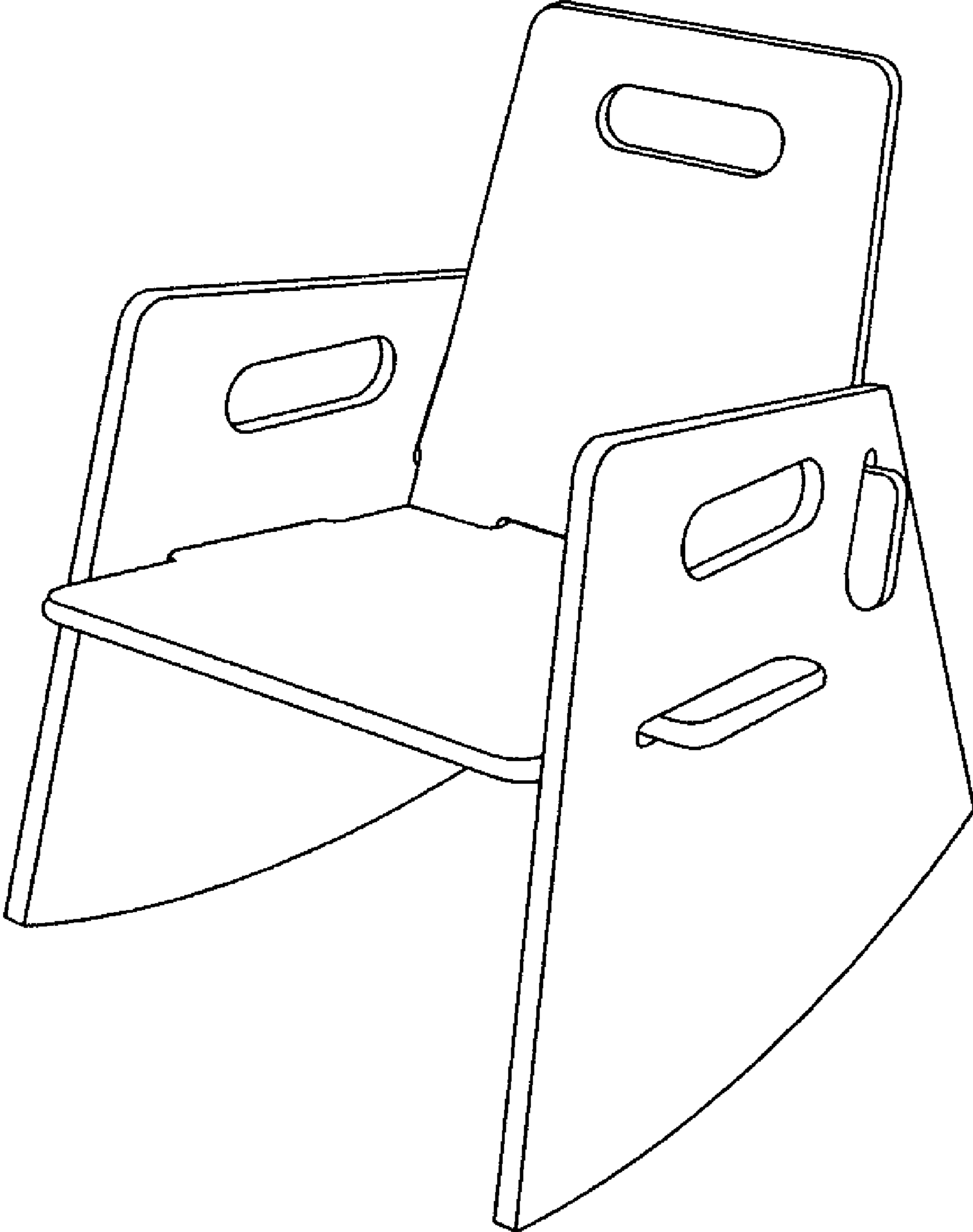


Fig. 1

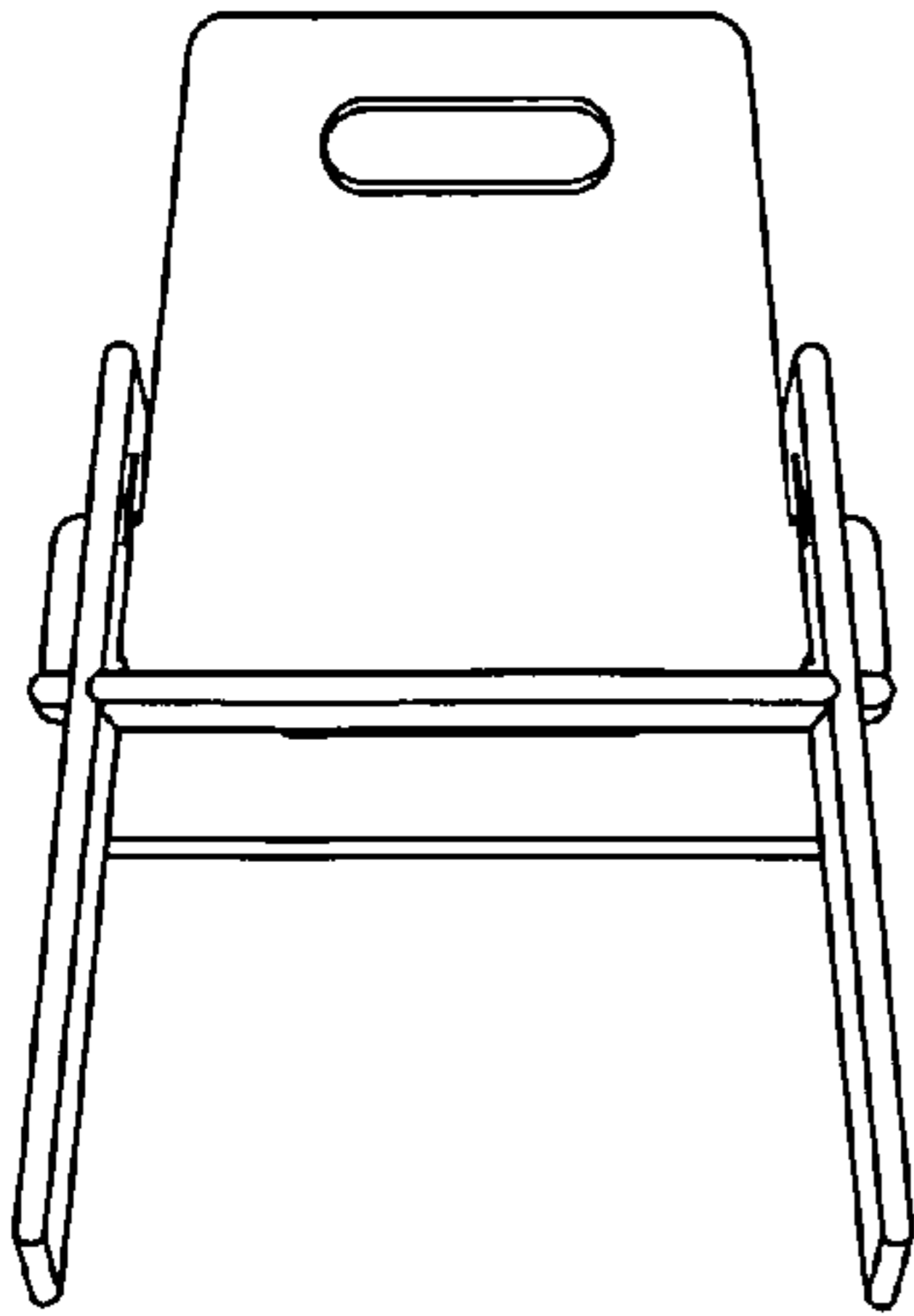


Fig. 2

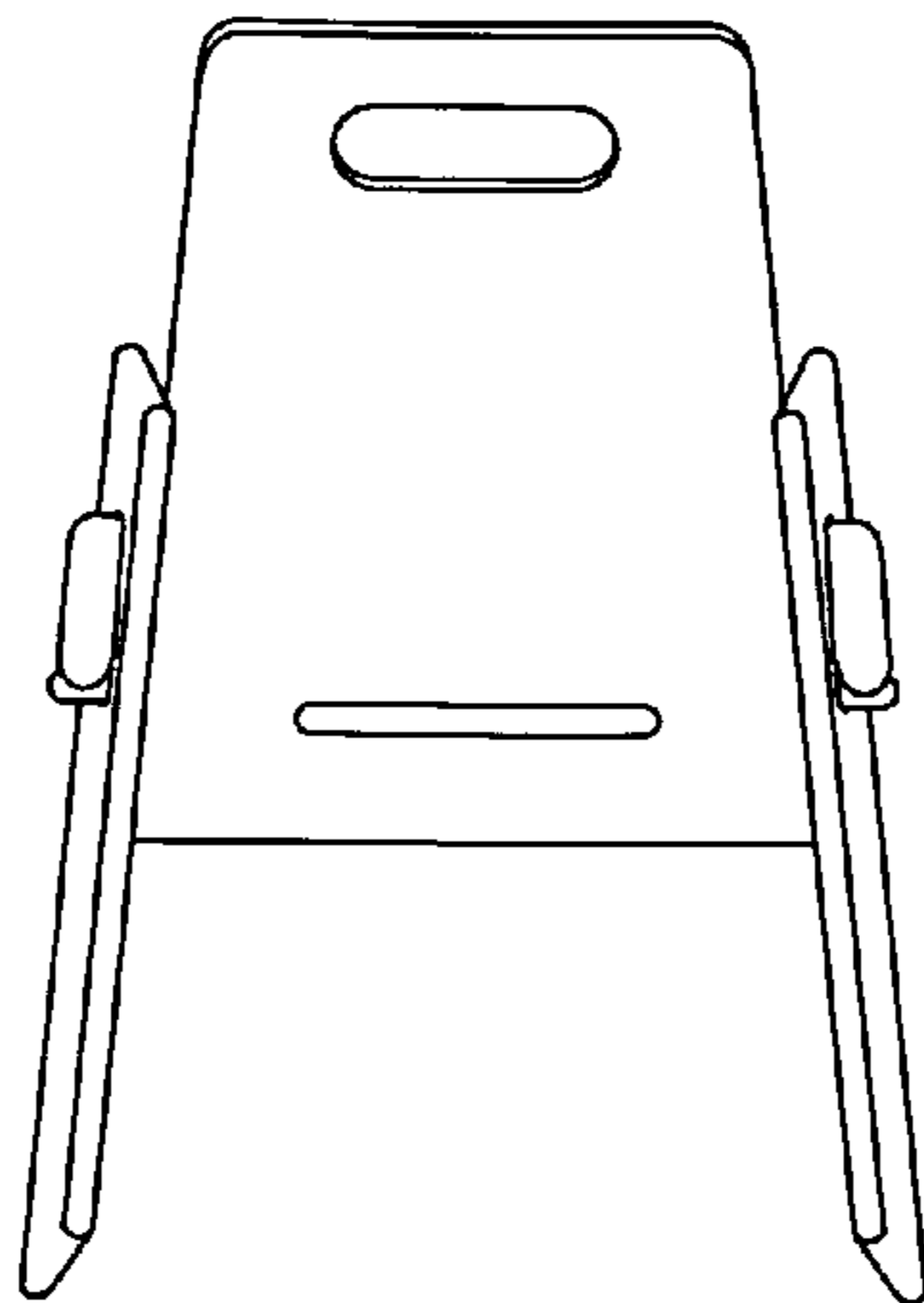


Fig. 3

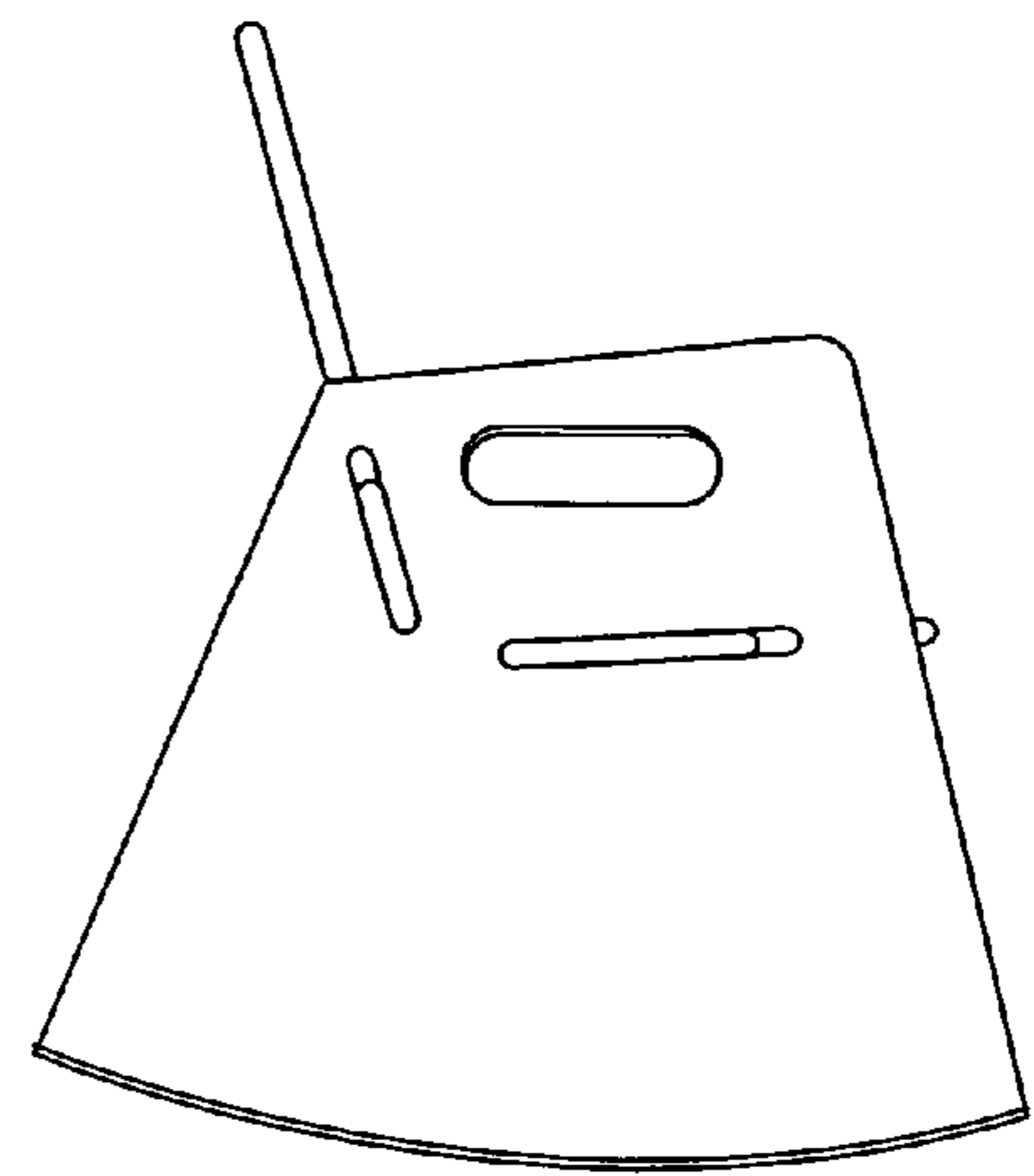


Fig. 4

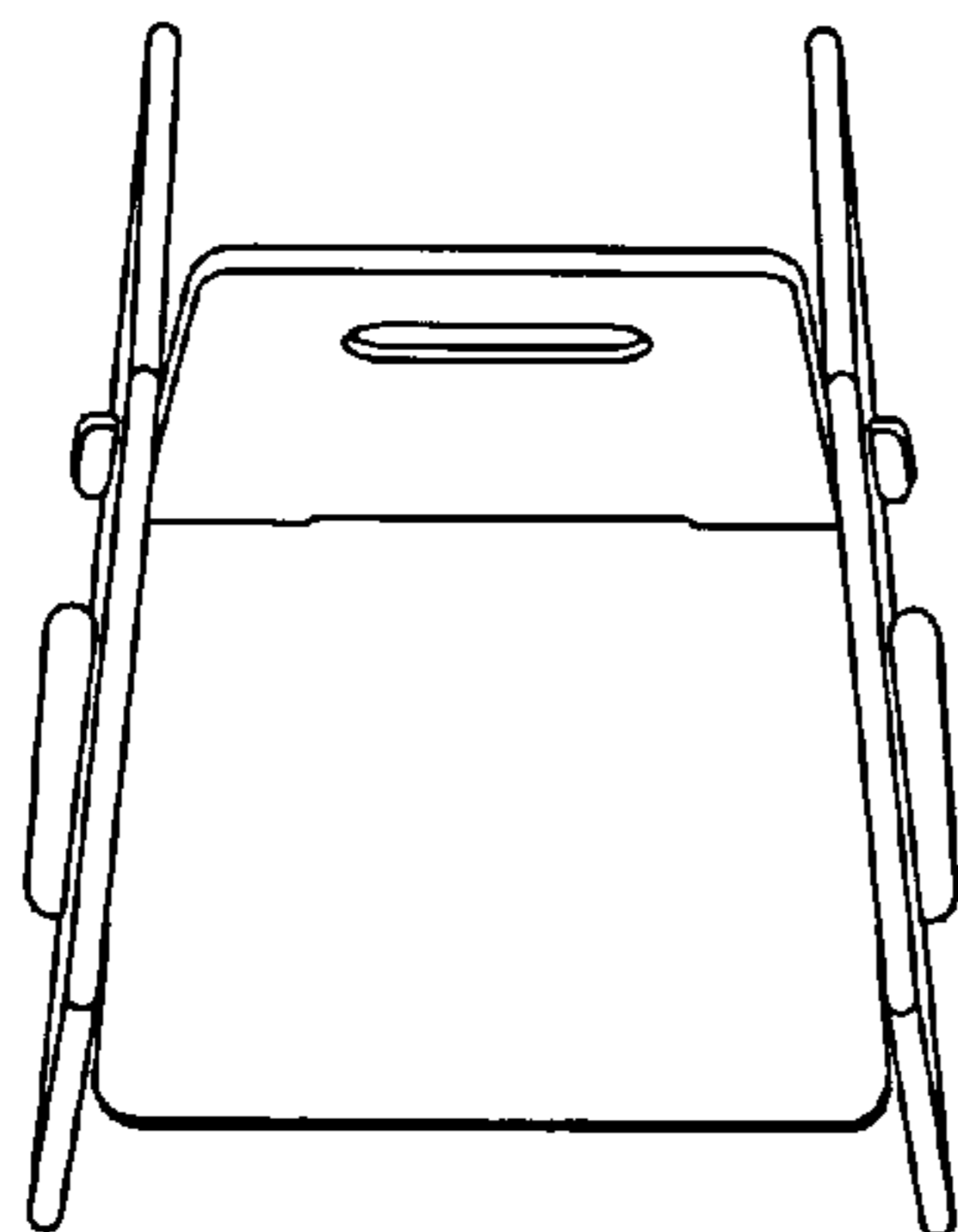


Fig. 5

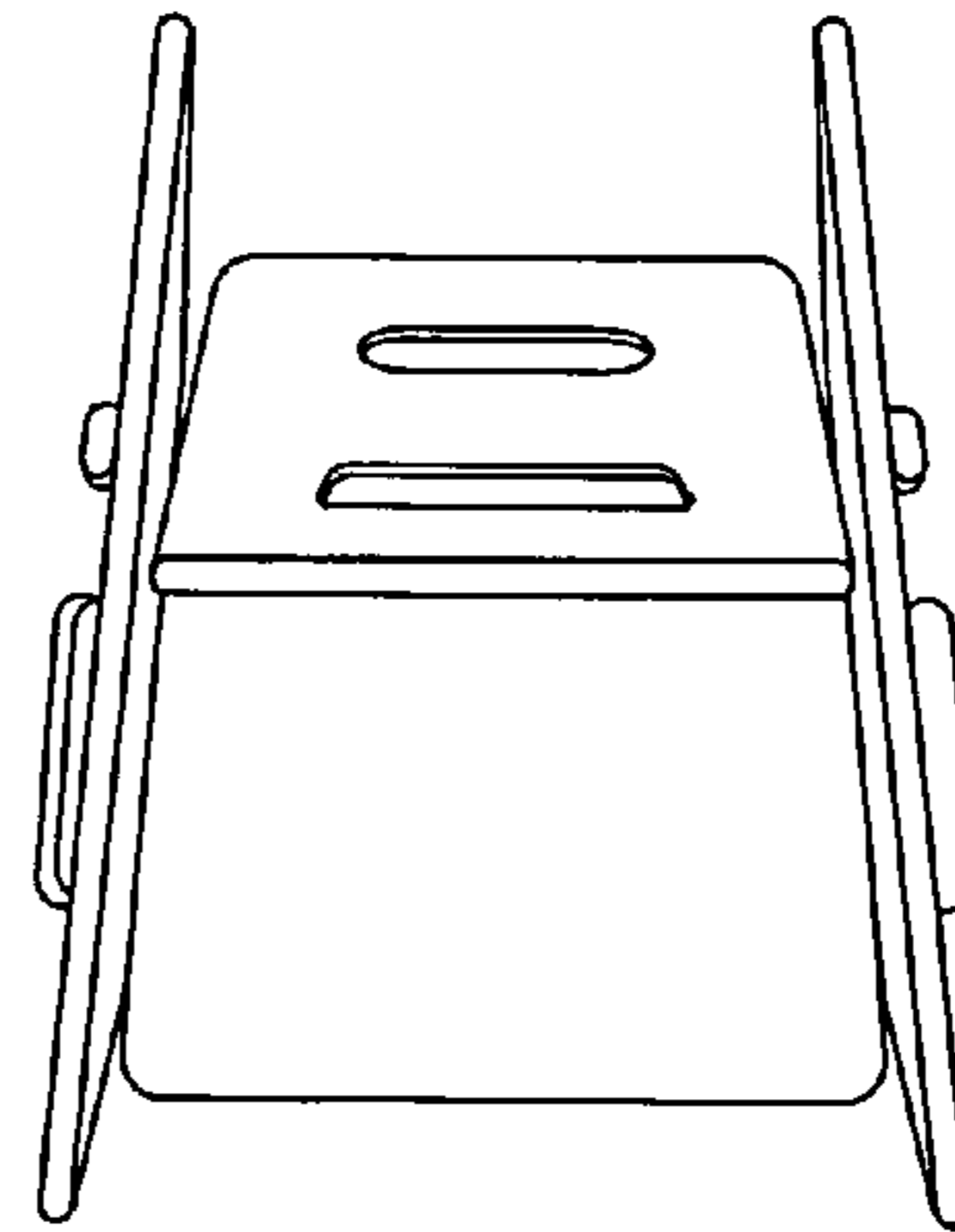


Fig. 6

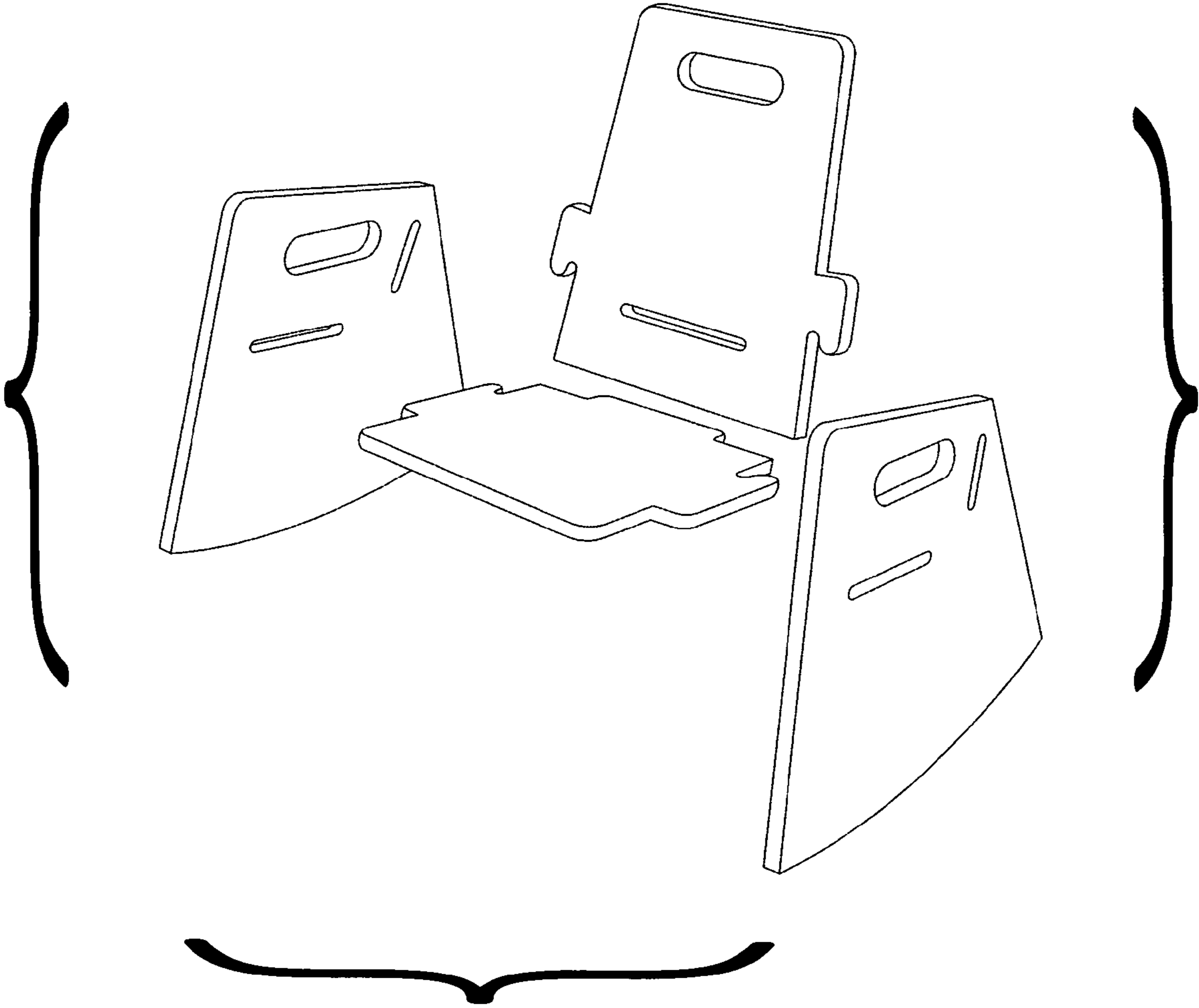


Fig. 7

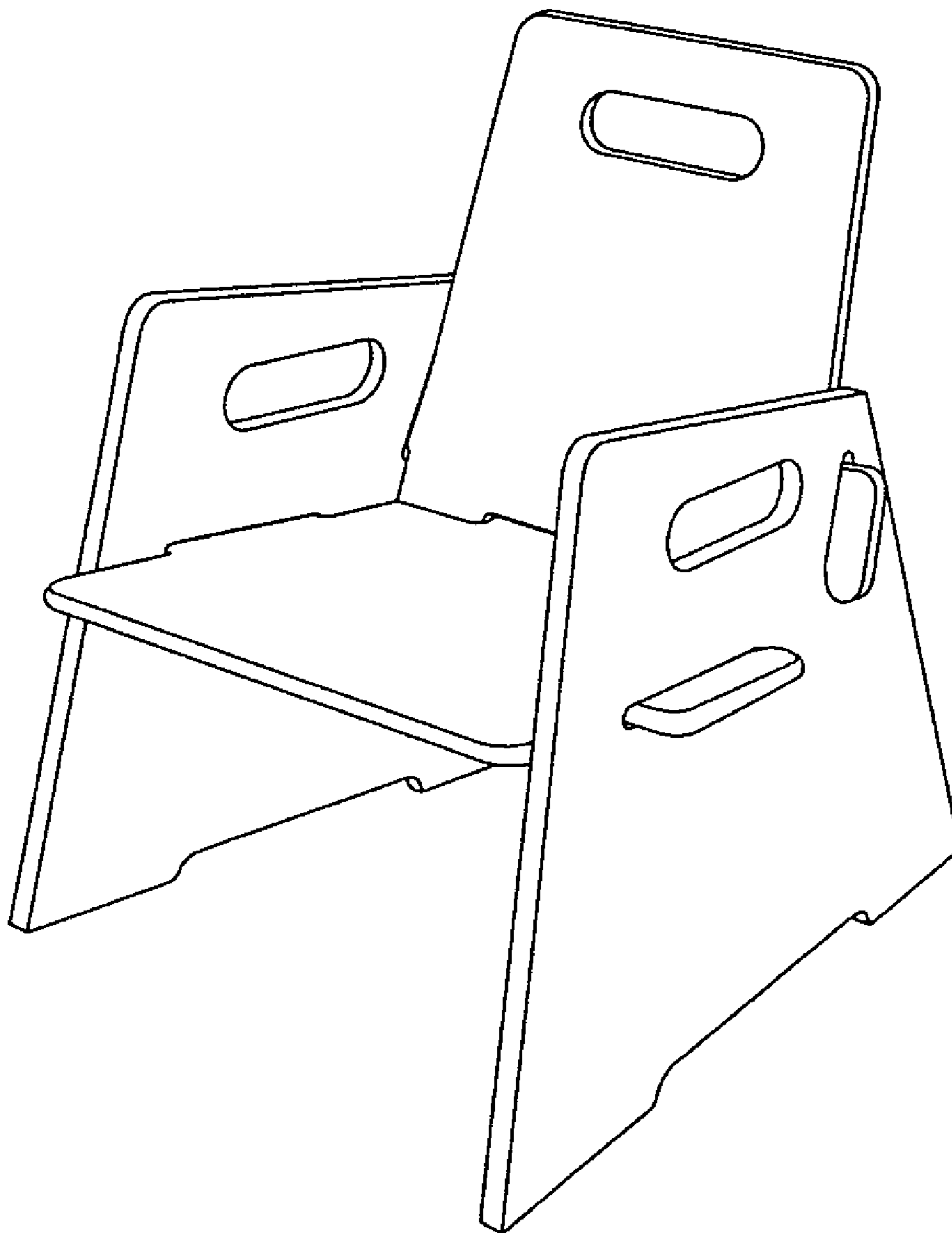


Fig. 8

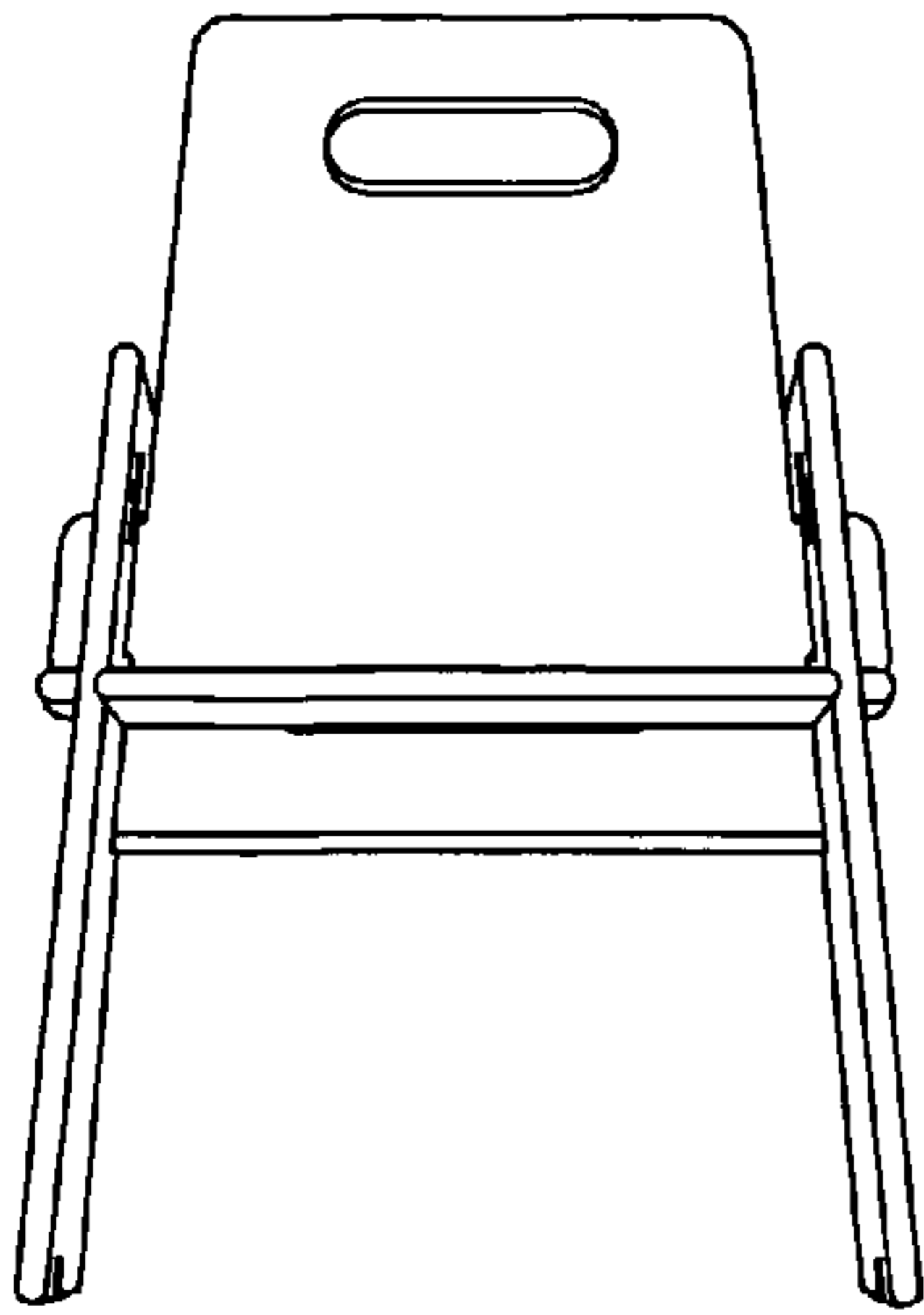


Fig. 9

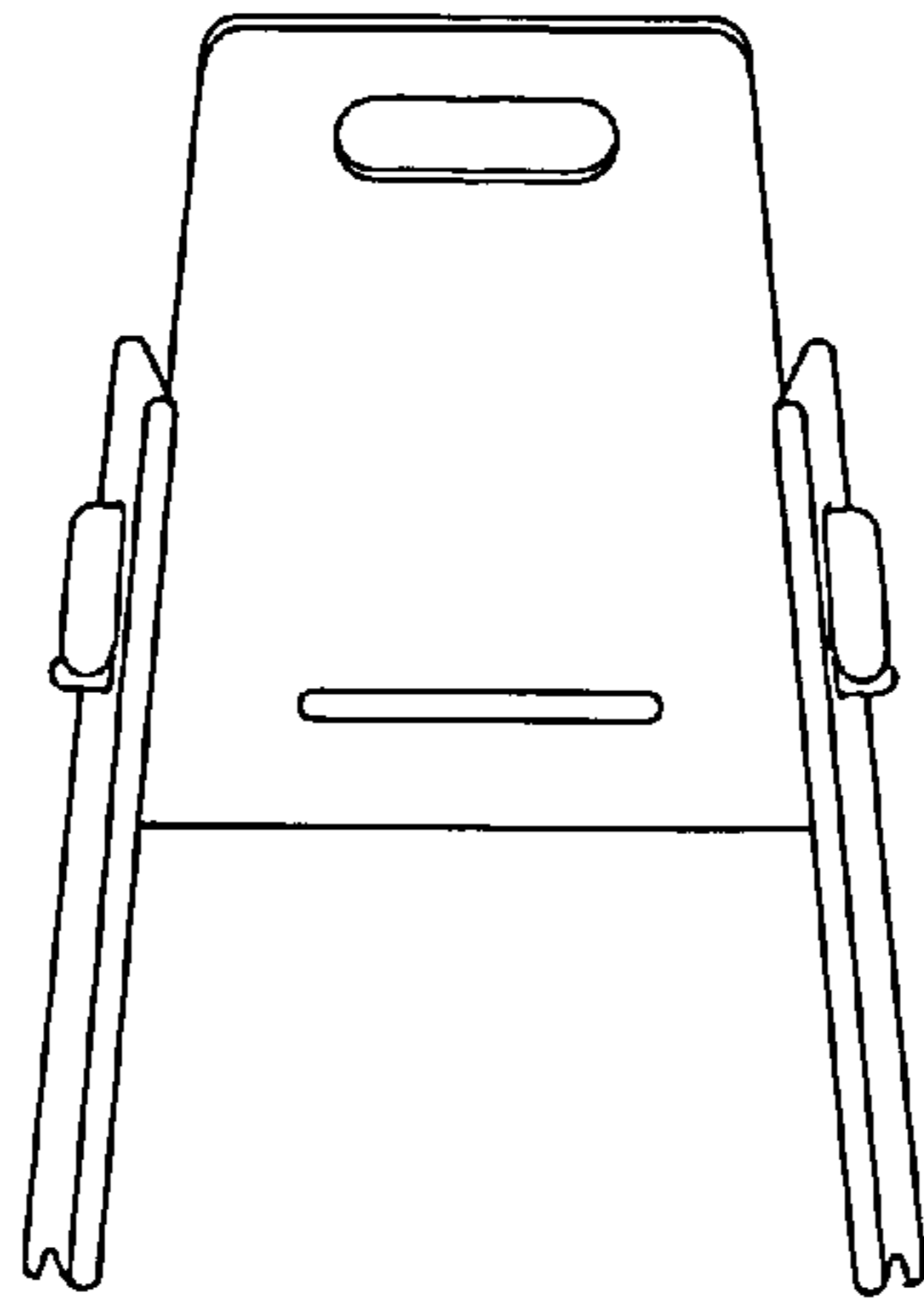


Fig. 10

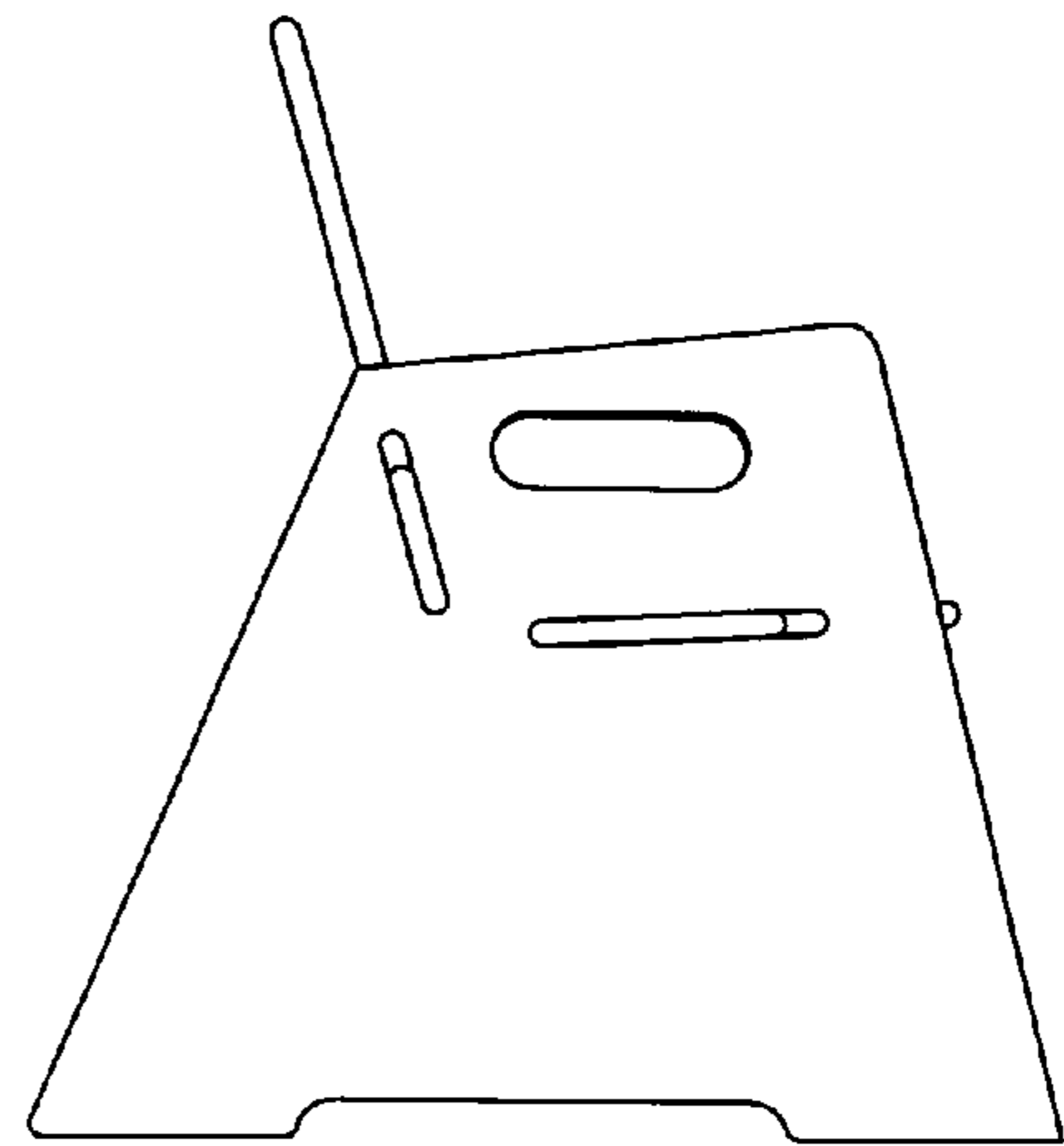


Fig. 11

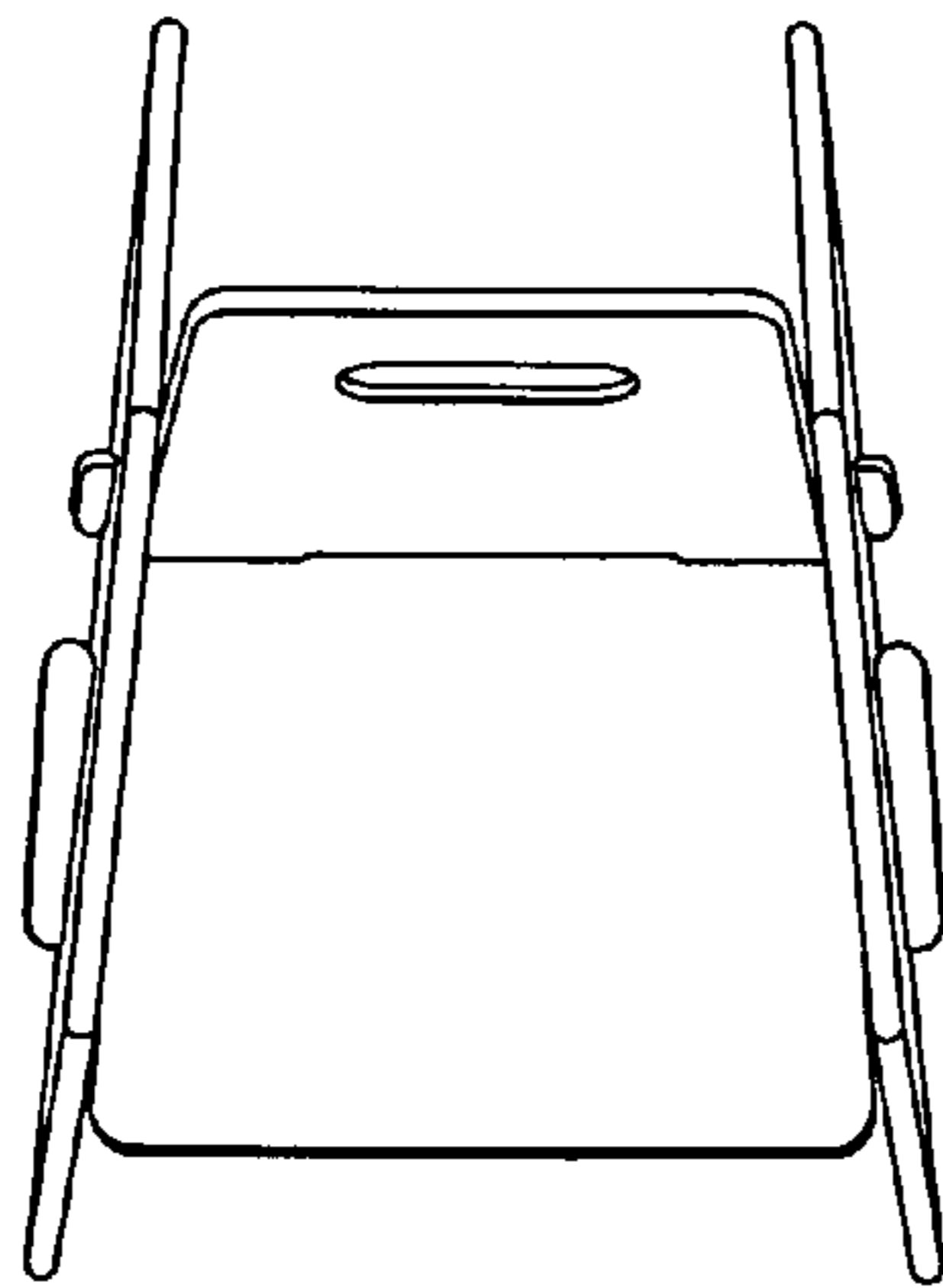


Fig. 12

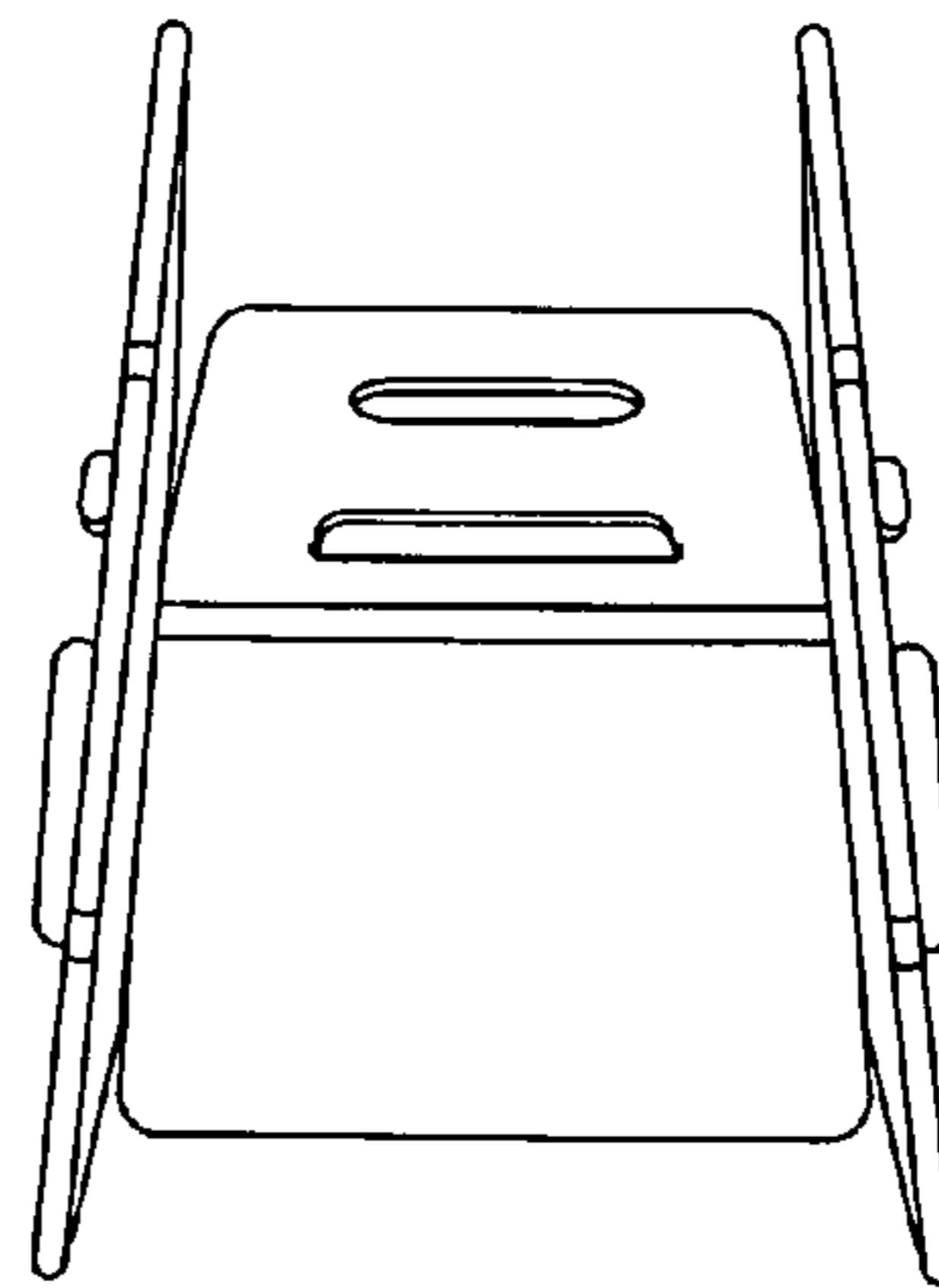


Fig. 13

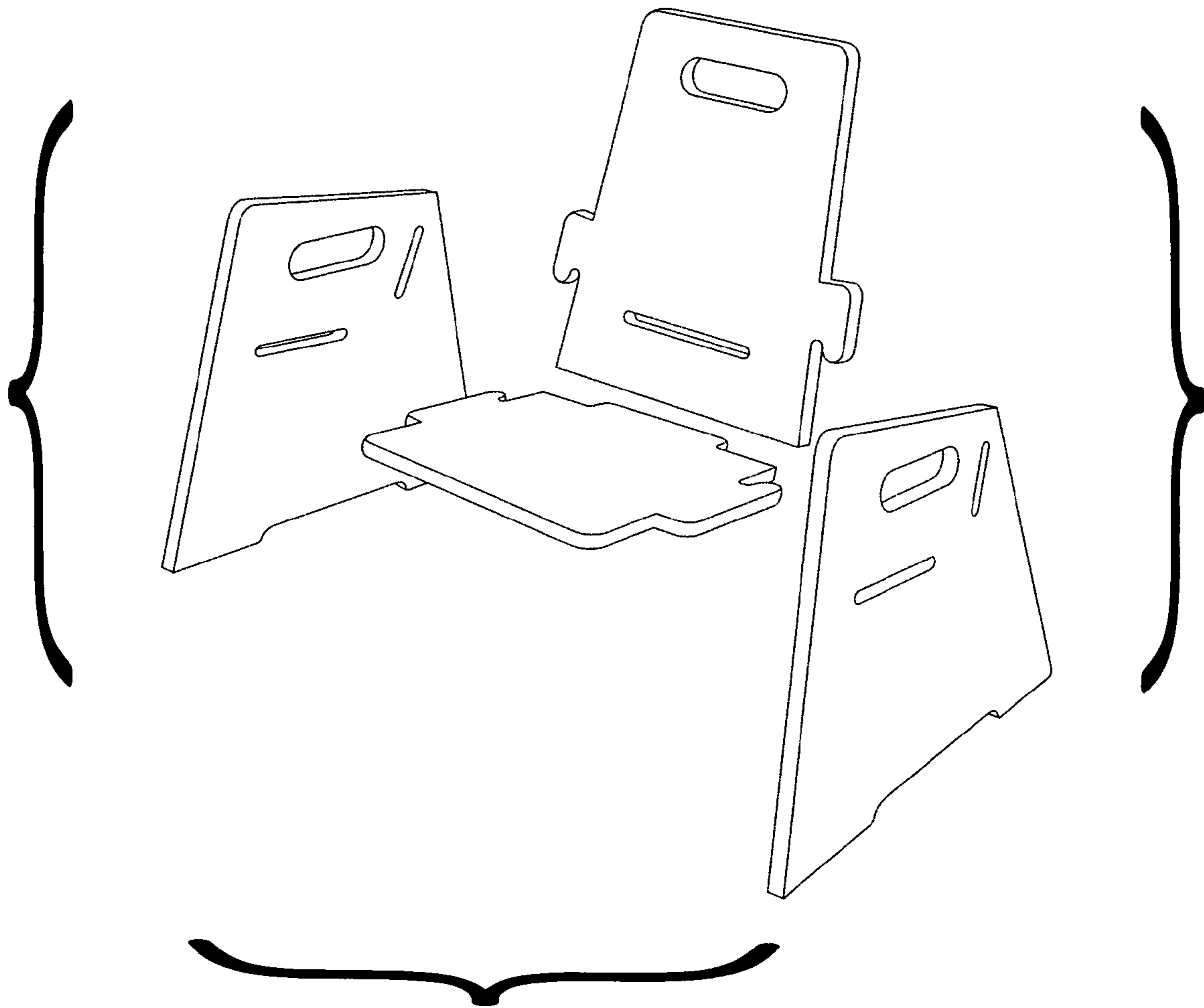


Fig. 14

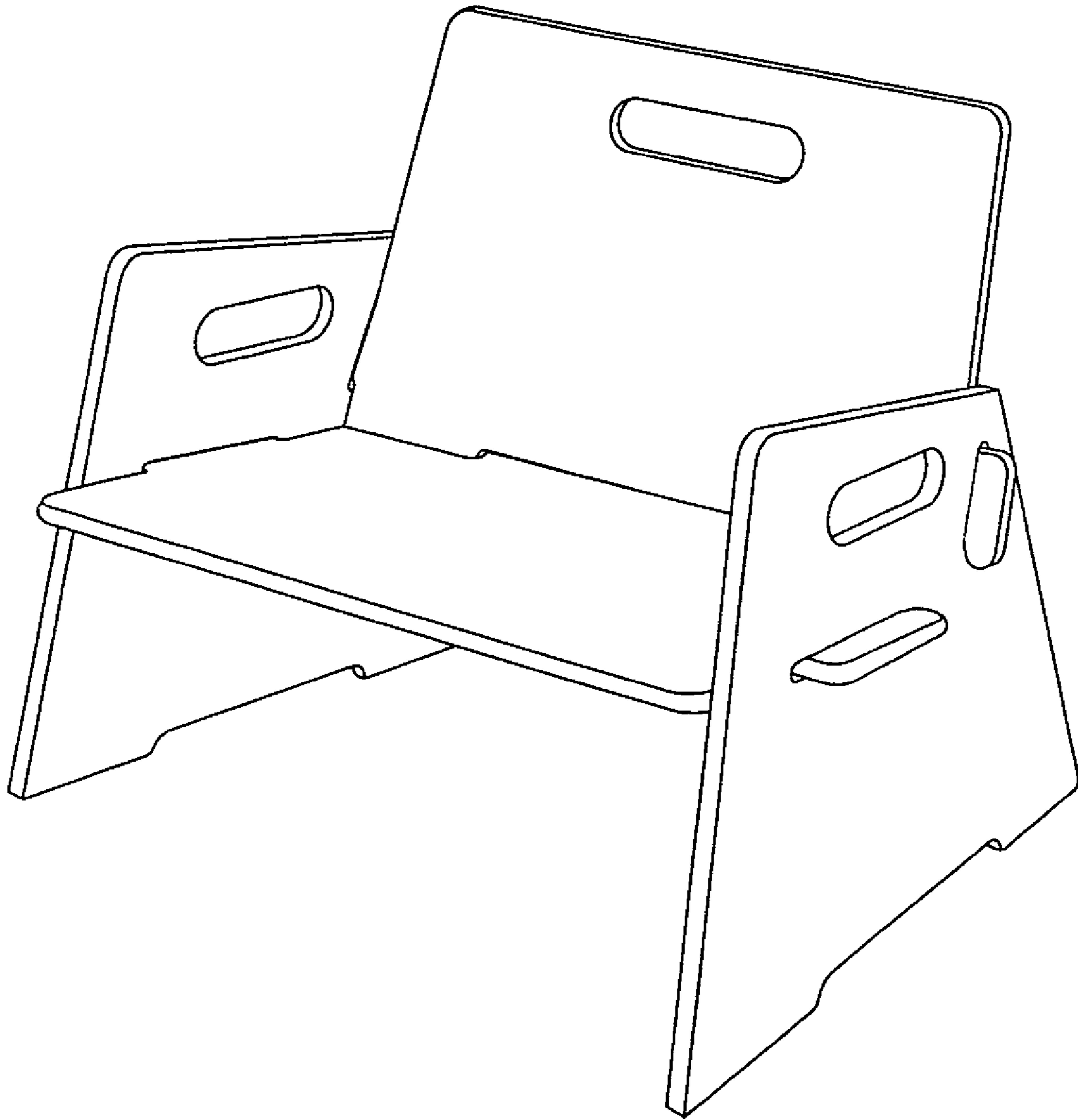


Fig. 15

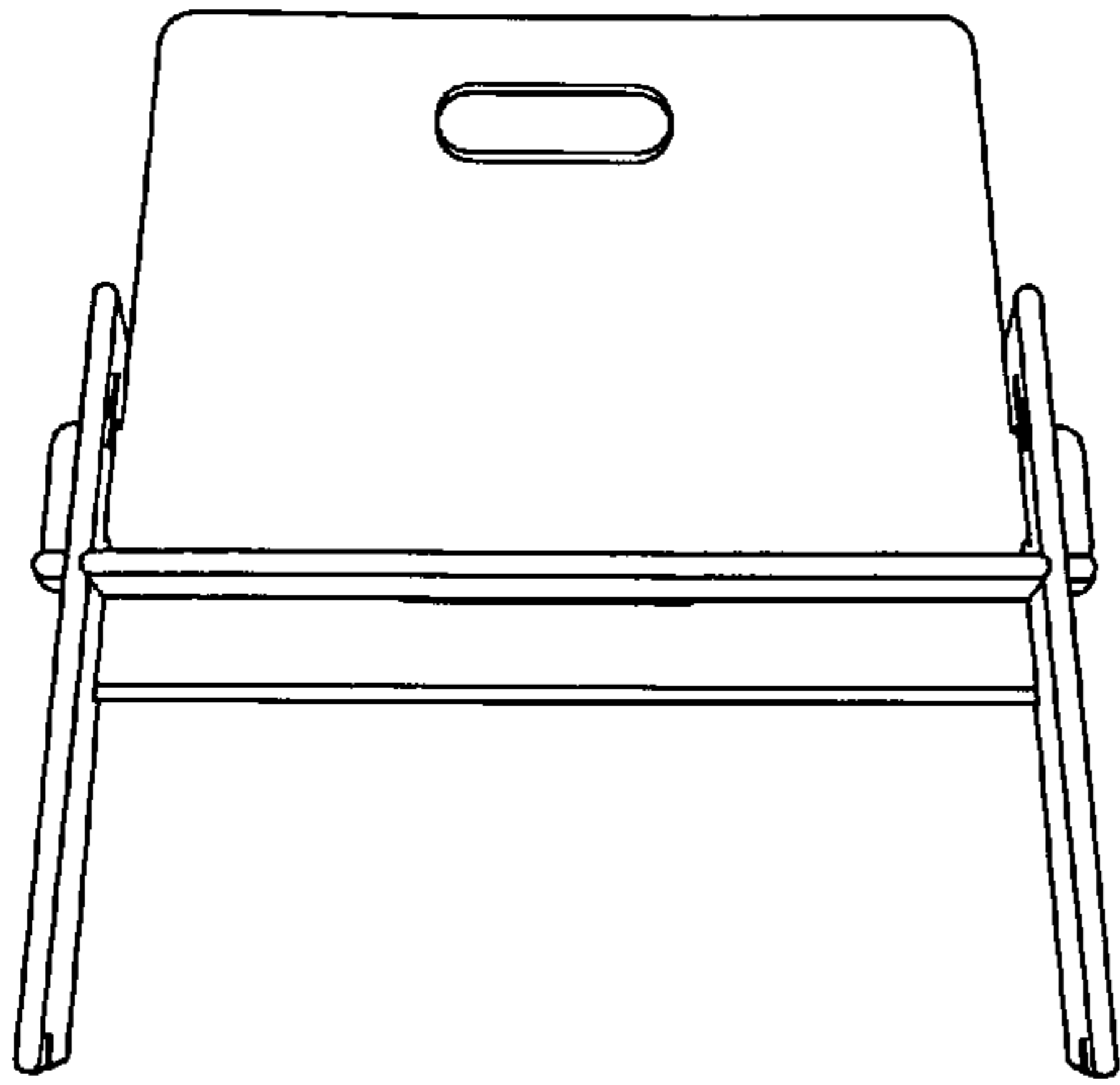


Fig. 16

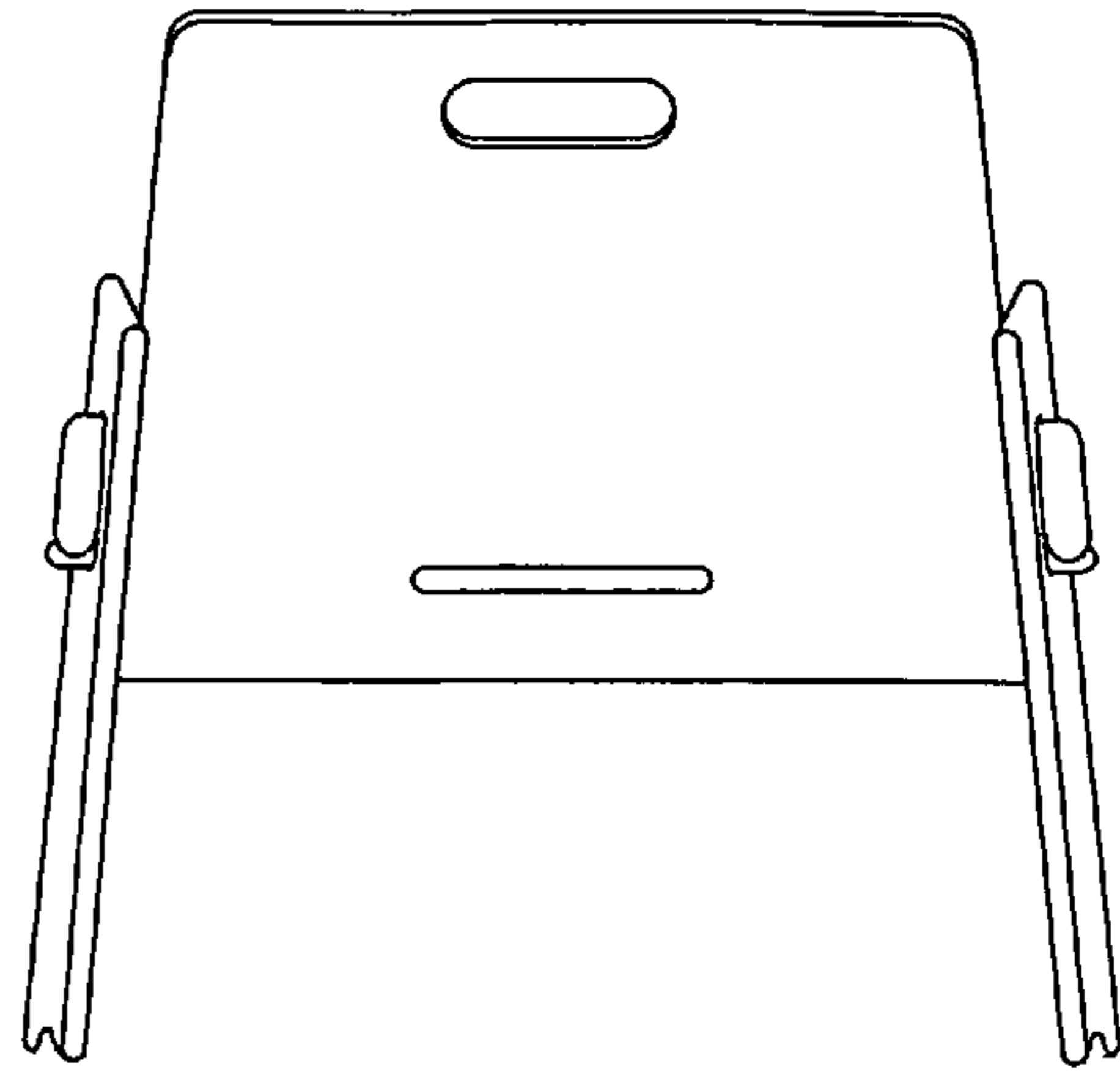


Fig. 17

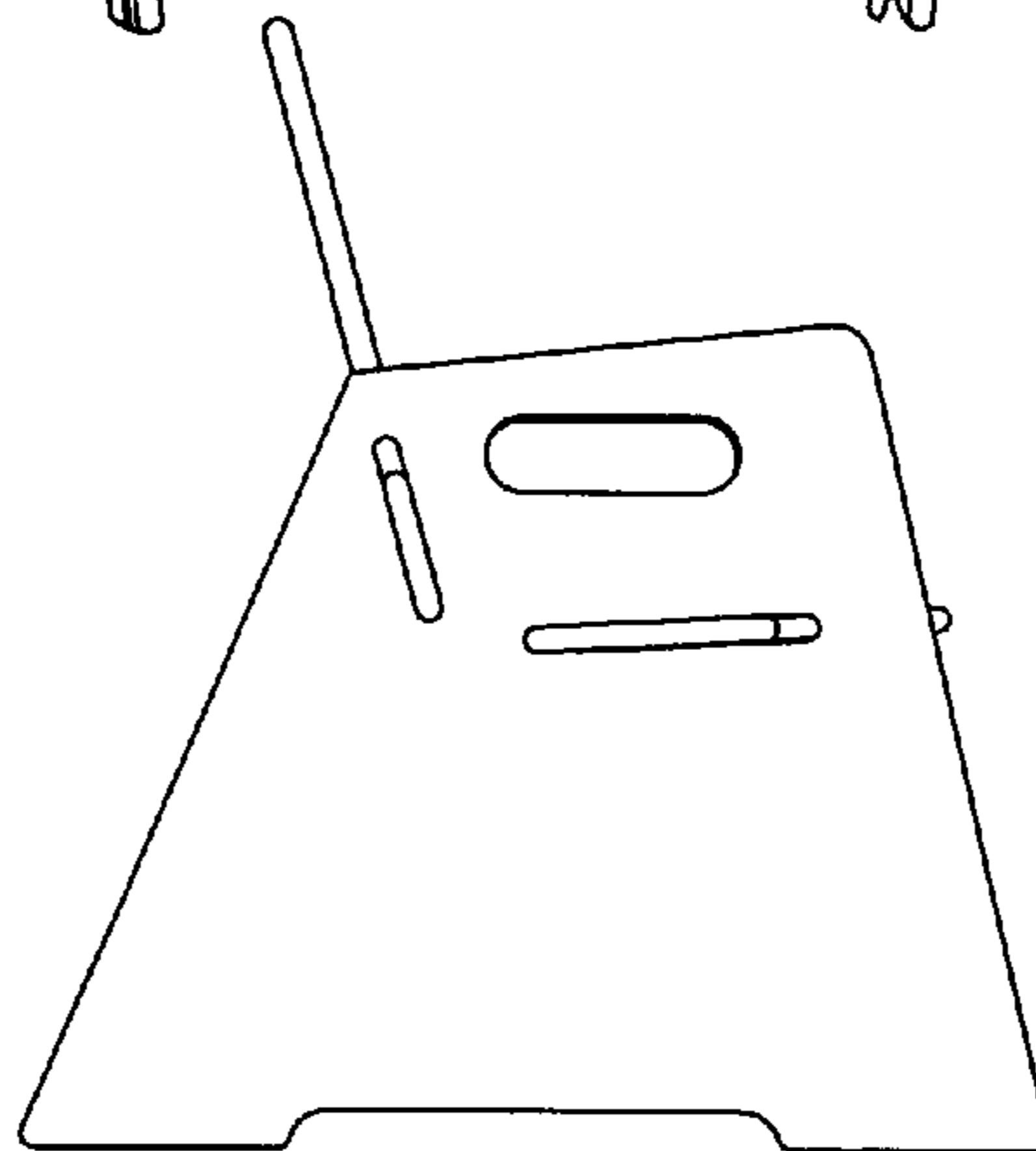


Fig. 18

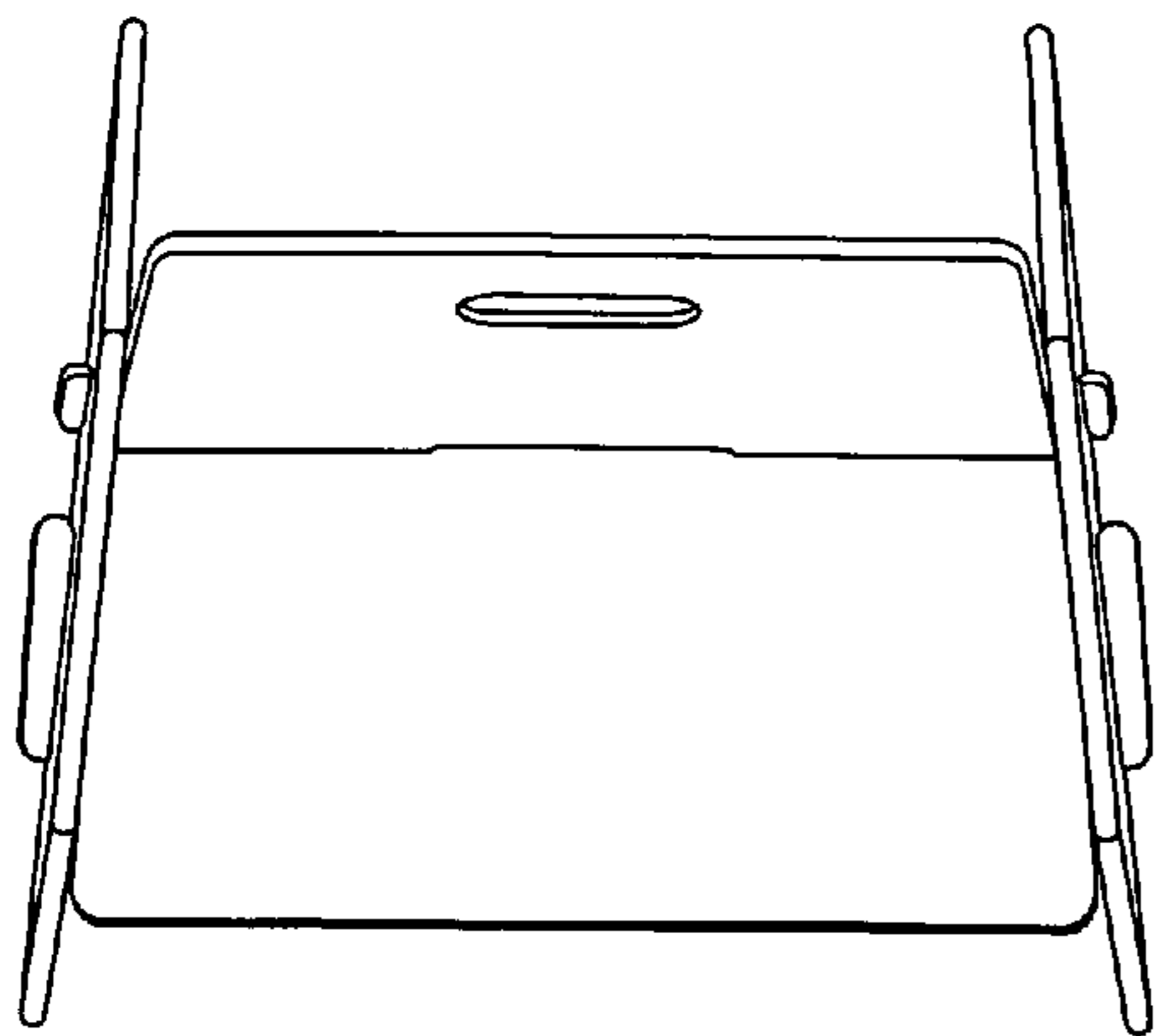


Fig. 19

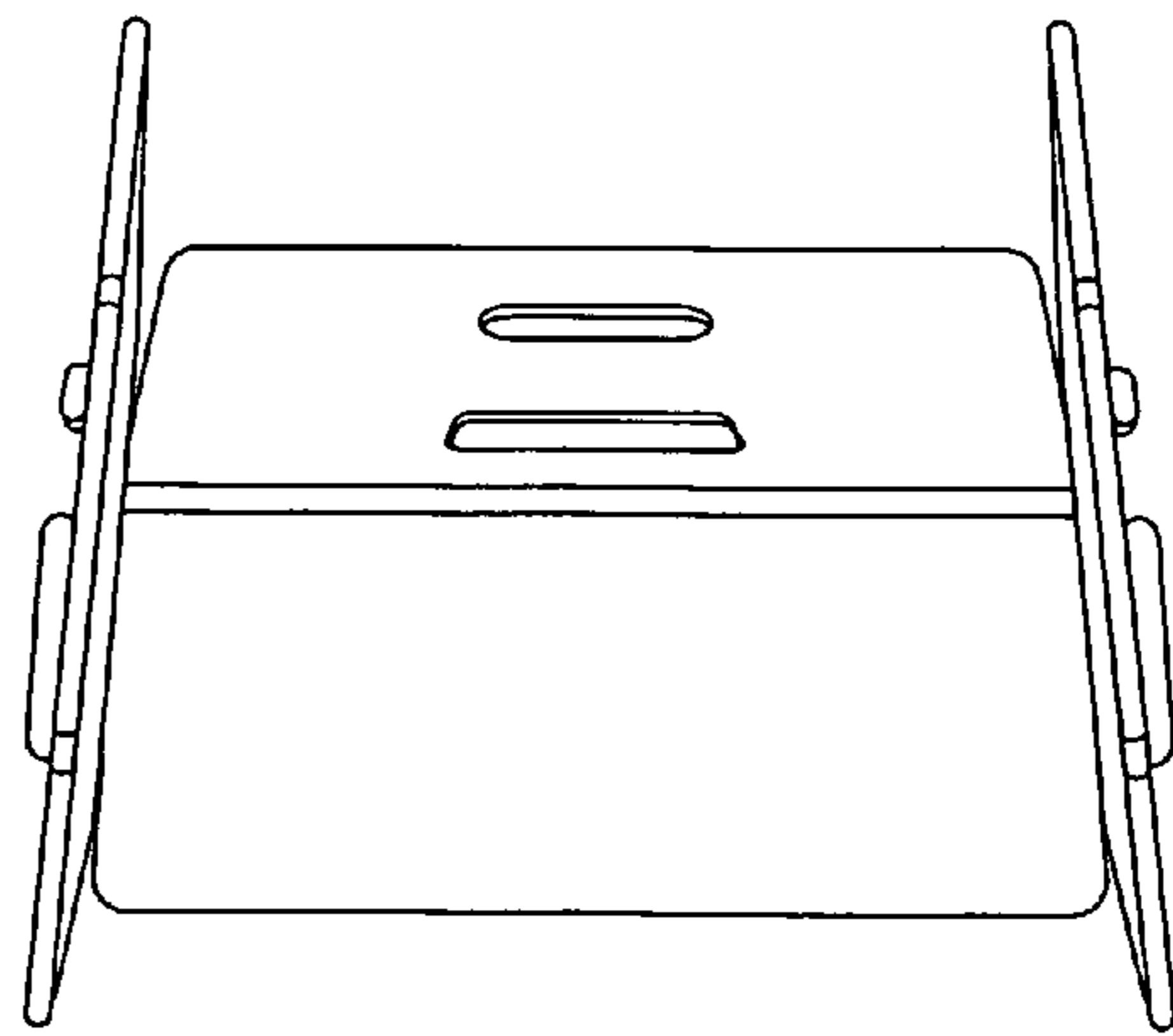


Fig. 20

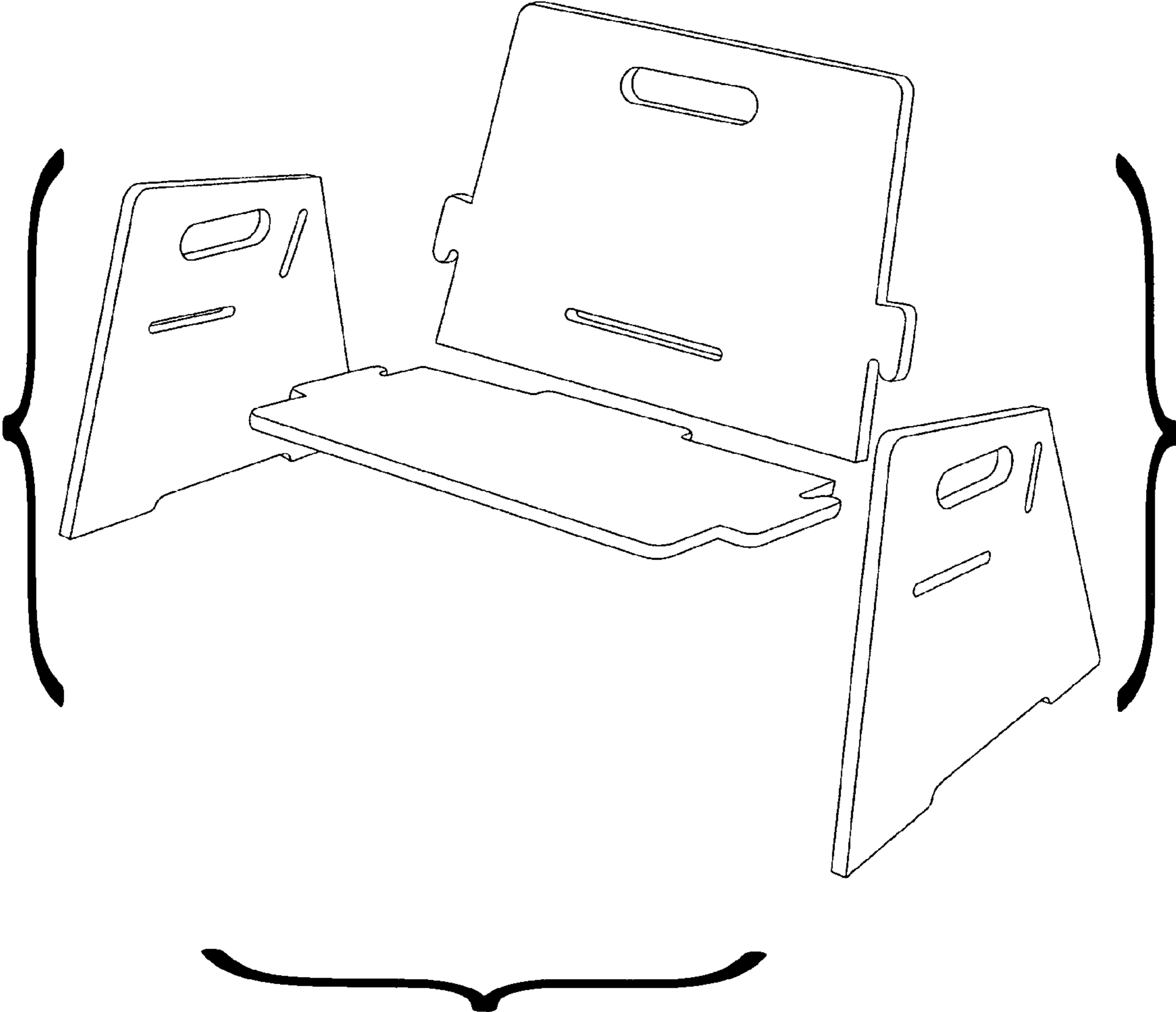


Fig. 21